

# ZTL431, ZTL432

## Cost effective adjustable precision shunt regulator

### Description

The ZTL431 and ZTL432 are three terminal adjustable shunt regulators offering excellent temperature stability and output current handling capability up to 100mA. The output voltage may be set to any chosen voltage between 2.5 and 20 volts by selection of two external divider resistors.

The ZTL432 has the same electrical specifications as the ZTL431 but has a different pin out in SOT23 (F-suffix) and SOT23F (FF-suffix).

Both variants are available in 2 grades with initial tolerances of 1% and 0.5% for the A and B grades respectively.

The devices can be used as a replacement for zener diodes in many applications requiring an improvement in zener performance.

These are functionally equivalent to the TL431/ TL432 except for maximum operation voltage, and have an ambient temperature range of -40 to 125°C as standard.

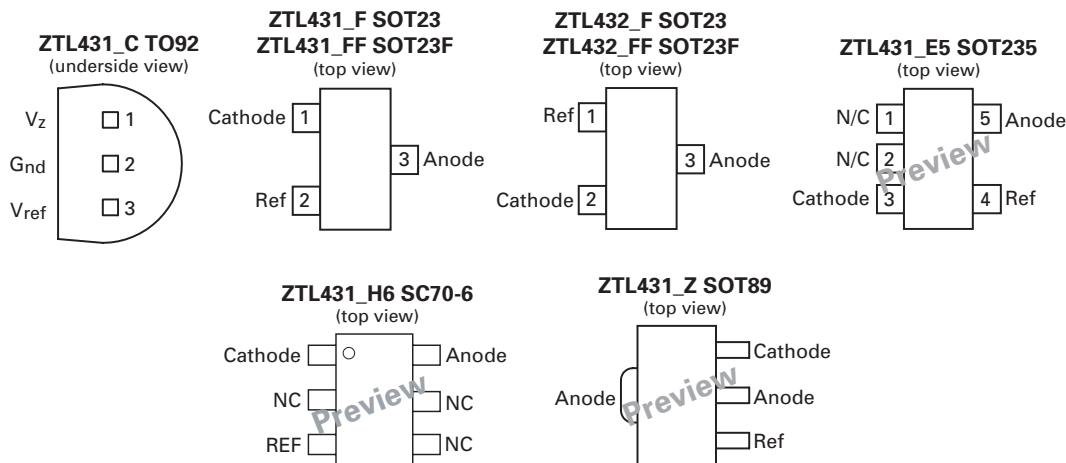
### Features

- Temperature range ..... -40 to 125°C
- Reference voltage tolerance at 25°C
  - 0.5% ..... B grade
  - 1% ..... A grade
- Low output noise
- 0.2 typical output impedance
- Sink current capability ..... 1mA to 100mA
- Adjustable output voltage .....  $V_{REF}$  to 20V

### Applications

- Opto-coupler linearization
- Linear regulators
- Improved zener
- Variable reference

### Pin connections



# ZTL431, ZTL432

## Ordering information

Tol.	Order code	Pack	Part mark	Status*	Reel Size	Tape width (mm)	Quantity per reel
1%	ZTL431ACSTZ	TO92	ZTL431A	Active	Concertina	N/A	1500
	ZTL431AE5TA	SOT23-5	31A	Preview*	7", 180mm	8	3000
	ZTL431AFFTA	SOT23F	31A	Preview*	7", 180mm	8	3000
	ZTL431AFTA	SOT23	31A	Active	7", 180mm	8	3000
	ZTL431AH6TA	SC70-6	31A	Preview*	7", 180mm	8	3000
	ZTL431AZTA	SOT89	31A	Preview*	7", 180mm	12	1000
	ZTL432AFFTA	SOT23F	32A	Active	7", 180mm	8	3000
ZTL432AFTA	SOT23	32A	Active	7", 180mm	8	3000	
0.5%	ZTL431BCSTZ	TO92	ZTL431B	Preview*	Concertina	N/A	1500
	ZTL431BE5TA	SOT23-5	31B	Preview*	7", 180mm	8	3000
	ZTL431BFFTA	SOT23F	31B	Preview*	7", 180mm	8	3000
	ZTL431BFTA	SOT23	31B	Active	7", 180mm	8	3000
	ZTL431BH6TA	SC70-6	31B	Preview*	7", 180mm	8	3000
	ZTL431BZTA	SOT89	31B	Preview*	7", 180mm	12	1000
	ZTL432BFFTA	SOT23F	32B	Active	7", 180mm	8	3000
ZTL432BFTA	SOT23	32B	Active	7", 180mm	8	3000	

### NOTES:

\* For availability of pre-production status devices contact your local Zetex representative

## Absolute maximum ratings

Cathode voltage ( $V_{KA}$ ) ..... 20V

Continuous cathode current ( $I_{KA}$ ) ..... 150mA

Reference input current range ( $I_{REF}$ )..... -50  $\mu$ A to 10mA

Operating junction temperature ..... -40 to 150°C

Storage temperature ..... -55 to 150°C

Operation above the absolute maximum rating may cause device failure. Operation at the absolute maximum ratings, for extended periods, may reduce device reliability.

Unless otherwise stated voltages specified are relative to the ANODE pin.

## Package thermal data

Package	$\theta_{JA}$	$P_{DIS}$ $T_A = 25^\circ\text{C}, T_J = 150^\circ\text{C}$
TO92	160°C/W	780mW
SOT23	380°C/W	330mW
SOT23F	138°C/W	900mW
SOT23-5	250°C/W	500mW
SOT89	125°C/W	1000mW

# ZTL431, ZTL432

## Recommended operating conditions

		Min	Max	Units
$V_{KA}$	Cathode voltage	$V_{ref}$	20	V
$I_{KA}$	Cathode current	1	100	mA
$T_A$	Operating ambient temperature range	-40	125	°C

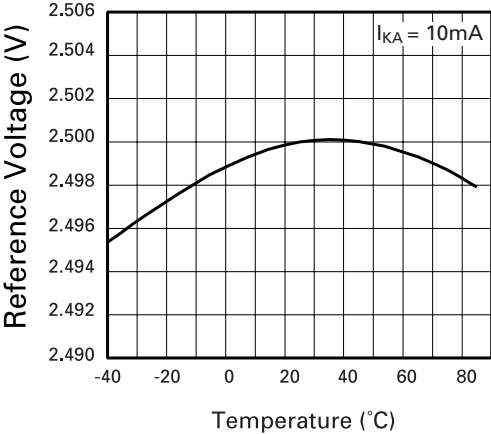
## Electrical characteristics

Electrical characteristics over recommended operating conditions,  $T_A = 25^\circ\text{C}$ , unless otherwise stated.

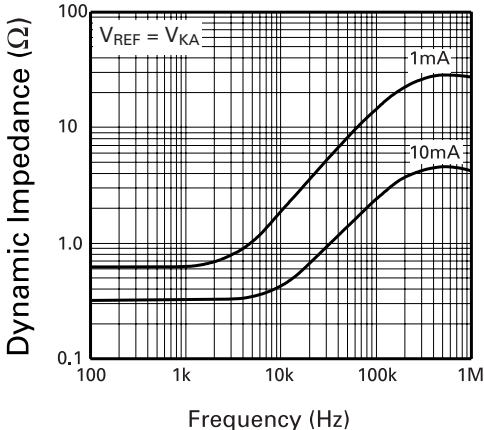
Symbol	Parameter	Conditions	Min.	Typ.	Max.	Units	
$V_{REF}$	Reference voltage	$V_{KA} = V_{REF}$ $I_{KA} = 10\text{mA}$	ZTL43_A	2.475	2.5	2.525	V
			ZTL43_B	2.487	2.5	2.513	
$V_{DEV}$	Deviation of reference voltage over full temperature range	$V_{KA} = V_{REF}$ $I_{KA} = 10\text{mA}$	$T_A = 0\text{ to }70^\circ$		6	16	mV
			$T_A = -40\text{ to }85^\circ\text{C}$		14	34	
			$T_A = -40\text{ to }125^\circ\text{C}$		14	34	
$\frac{\Delta V_{REF}}{\Delta V_{KA}}$	Ratio of change in reference voltage to the change in cathode voltage	$I_{KA} = 10\text{mA}$	$V_{KA} = V_{REF}\text{ to }10$		-1.4	-2.7	mV/V
			$V_{KA} = 10\text{V to }20\text{V}$		-1.0	-2.0	
$I_{REF}$	Reference input current	$I_{KA} = 10\text{mA}$ , $R_1 = 10\text{k}\Omega$ $R_2 = \text{OC}$		2	4	$\mu\text{A}$	
$\Delta I_{REF}$	$I_{REF}$ deviation over full temperature range	$I_{KA} = 10\text{mA}$ $R_1 = 10\text{k}\Omega$ $R_2 = \text{OC}$	$T_A = 0\text{ to }70^\circ\text{C}$		0.8	1.2	$\mu\text{A}$
			$T_A = -40\text{ to }85^\circ\text{C}$		0.8	2.5	
			$T_A = -40\text{ to }125^\circ\text{C}$		0.8	2.5	
$I_{KA(MIN)}$	Minimum cathode current for regulation	$V_{KA} = V_{REF}$		0.4	0.6	mA	
$I_{KA(OFF)}$	Off state current	$V_{KA} = 20\text{V}$ , $V_{REF} = 0\text{V}$		0.1	0.5	$\mu\text{A}$	
$R_Z$	Dynamic output impedance	$V_{KA} = V_{REF}$ , $f = 0\text{Hz}$		0.2	0.5	$\Omega$	

# ZTL431, ZTL432

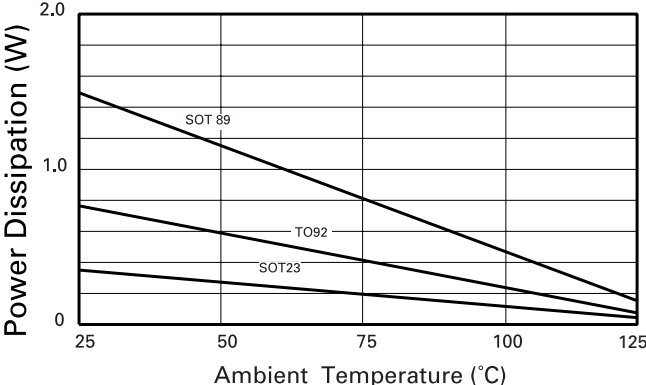
## Typical characteristics



Reference Voltage v Temperature



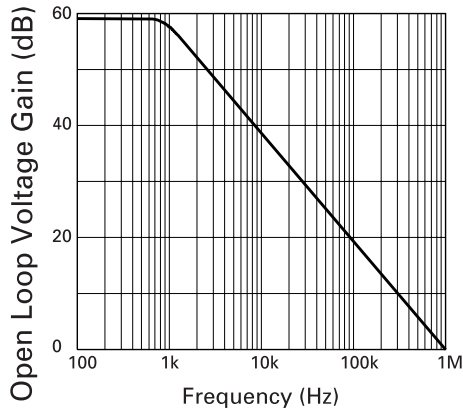
Dynamic Impedance v Frequency



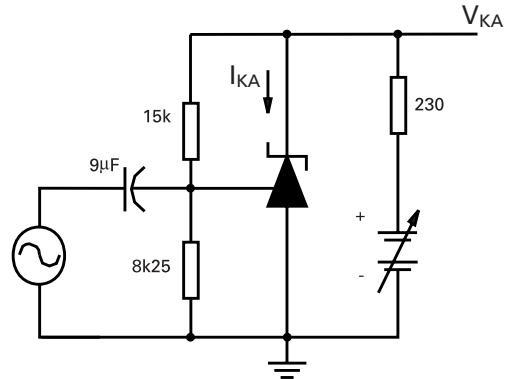
Power Dissipation Derating

# ZTL431, ZTL432

## Typical characteristics

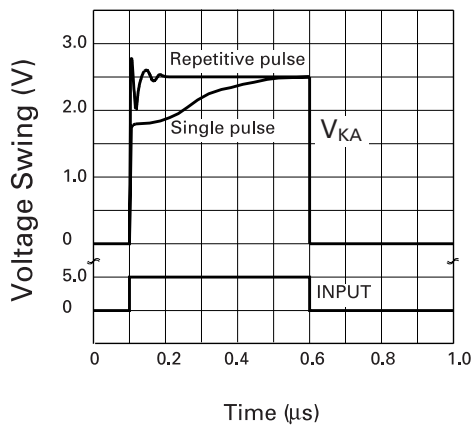


**Gain v Frequency**

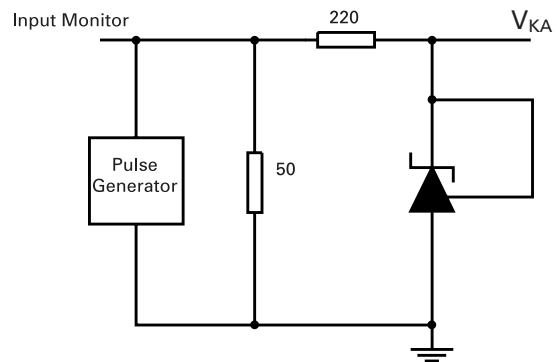


$I_{KA} = 10\text{mA}$ ,  $T_A = 25^\circ\text{C}$

**Test Circuit for Open Loop Voltage Gain**

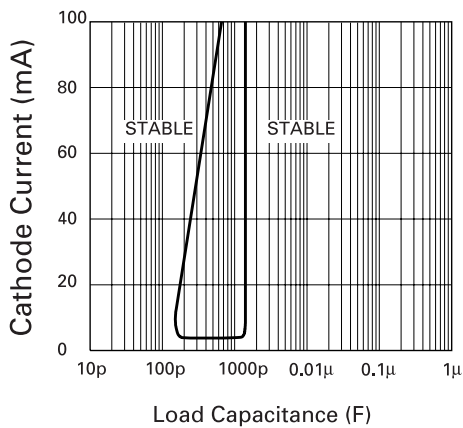


**Pulse Response**

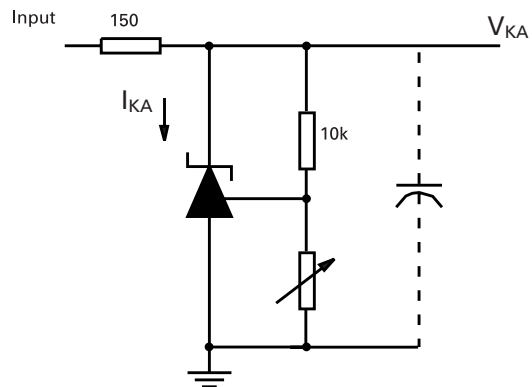


$T_A = 25^\circ\text{C}$

**Test Circuit for Pulse Response**



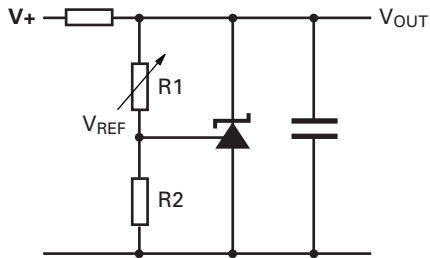
**Stability Boundary Conditions**



$V_{REF} < V_{KA} < 20$ ,  $I_{KA} = 10\text{mA}$ ,  $T_A = 25^\circ\text{C}$

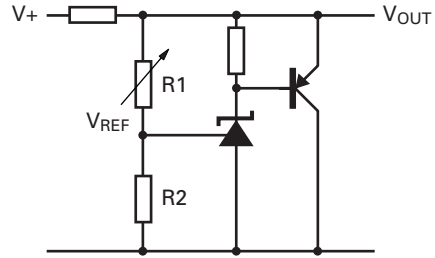
**Test Circuit for Stability Boundary Conditions**

## Application circuits



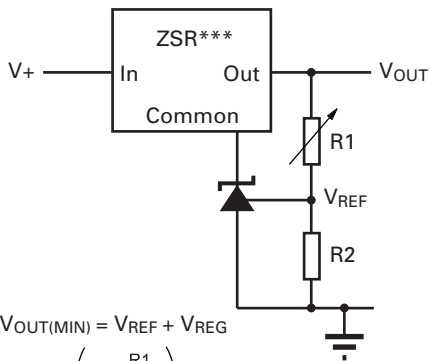
$$V_{OUT} = \left(1 + \frac{R1}{R2}\right) V_{REF}$$

**Shunt regulator**



$$V_{OUT} = \left(1 + \frac{R1}{R2}\right) V_{REF}$$

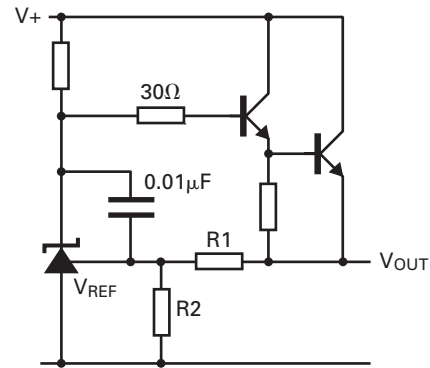
**Higher current shunt regulator**



$$V_{OUT(MIN)} = V_{REF} + V_{REG}$$

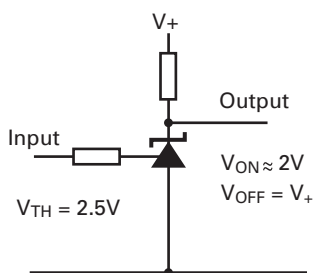
$$V_{OUT} = \left(1 + \frac{R1}{R2}\right) V_{REF}$$

**Output control of a three terminal fixed regulator**

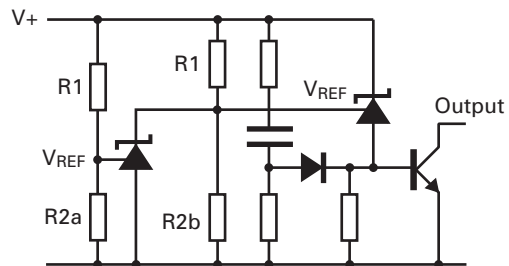


$$V_{OUT} = \left(1 + \frac{R1}{R2}\right) V_{REF}$$

**Series regulator**



**Single supply comparator with temperature compensated threshold**

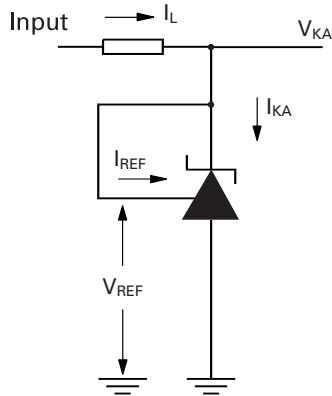


$$\text{Low limit} = \left(1 + \frac{R1B}{R2B}\right) V_{REF}$$

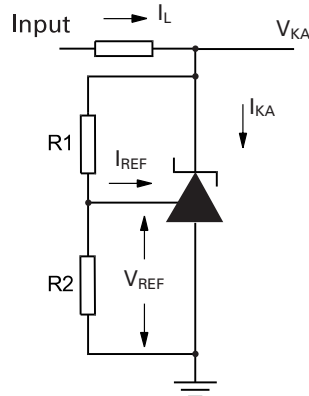
$$\text{High limit} = \left(1 + \frac{R1A}{R2A}\right) V_{REF}$$

**Over voltage / under voltage protection circuit**

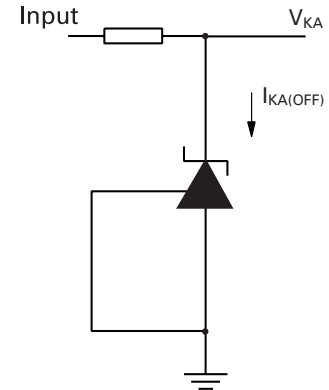
## DC test circuits



**Figure 1** Test circuit for  $V_{KA} = V_{REF}$



**Figure 2** Test circuit for  $V_{KA} > V_{REF}$



**Figure 3** Test circuit for off state current

## Notes

Deviation of reference input voltage,  $V_{dev}$ , is defined as the maximum variation of the reference input voltage over the full temperature range.

The average temperature coefficient of the reference input voltage,  $V_{ref}$  is defined as:

$$V_{REF}(\text{ppm}^\circ\text{C}) = \frac{V_{DEV} \times 1,000,000}{V_{REF}(T1 - T2)}$$

The dynamic output impedance,  $R_z$ , is defined as:

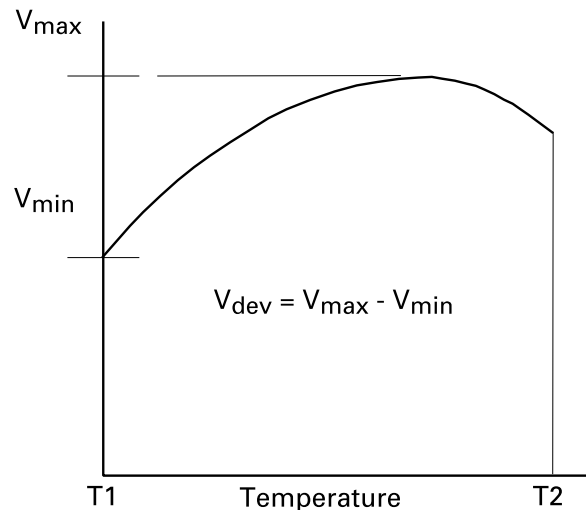
$$R_z = \frac{\Delta V_z}{\Delta I_z}$$

When the device is programmed with two external resistors,  $R1$  and  $R2$ , (fig 2), the dynamic output impedance of the overall circuit,  $R'_z$ , is defined as:

$$R'_z = R_z \left( 1 + \frac{R1}{R2} \right)$$

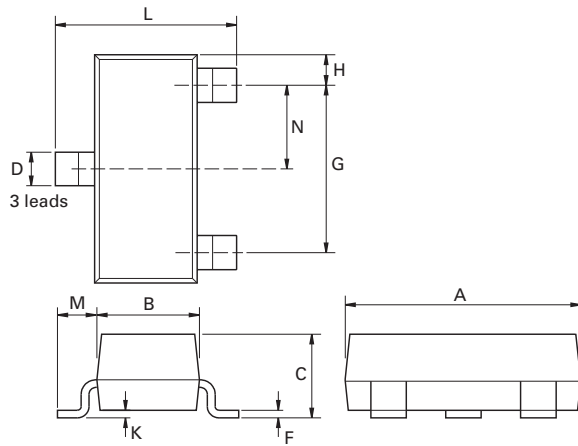
## Stability boundary

The ZTL431 and ZTL432 are stable with a range of capacitive loads. A zone of instability exists as demonstrated in the typical characteristic graph on page 5. The graph shows typical conditions. To ensure reliable stability a capacitor of 4.7nF or greater is recommended between anode and cathode.



# ZTL431, ZTL432

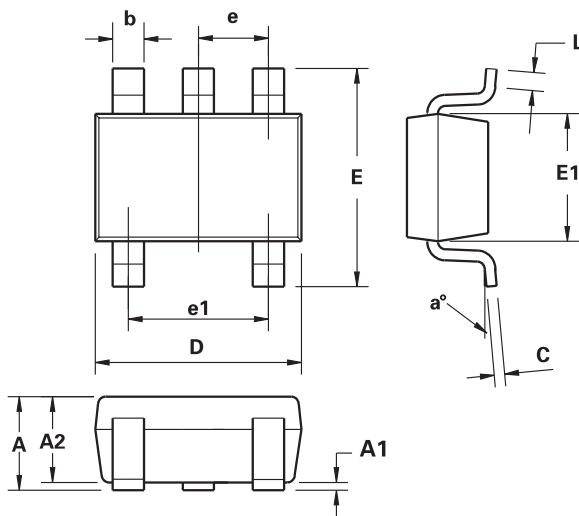
## Packaging details - SOT23



Dim.	Millimeters		Inches		Dim.	Millimeters		Inches	
	Min.	Max.	Min.	Max.		Min.	Max.	Max.	Max.
A	2.67	3.05	0.105	0.120	H	0.33	0.51	0.013	0.020
B	1.20	1.40	0.047	0.055	K	0.01	0.10	0.0004	0.004
C	-	1.10	-	0.043	L	2.10	2.50	0.083	0.0985
D	0.37	0.53	0.015	0.021	M	0.45	0.64	0.018	0.025
F	0.085	0.15	0.0034	0.0059	N	0.95 NOM		0.0375 NOM	
G	1.90 NOM		0.075 NOM		-	-	-	-	-

**Note:** Controlling dimensions are in millimeters. Approximate dimensions are provided in inches

## Packaging details - SOT23-5



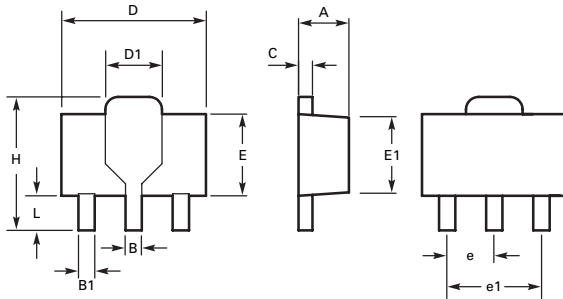
Dim.	Millimeters		Inches	
	Min.	Max.	Min.	Max.
A	0.90	1.45	0.0354	0.0570
A1	0.00	0.15	0.00	0.0059
A2	0.90	1.30	0.0354	0.0511
b	0.20	0.50	0.0078	0.0196
C	0.09	0.26	0.0035	0.0102
D	2.70	3.10	0.1062	0.1220
E	2.20	3.20	0.0866	0.1181
E1	1.30	1.80	0.0511	0.0708
e	0.95 REF		0.0374 REF	
e1	1.90 REF		0.0748 REF	
L	0.10	0.60	0.0039	0.0236
a°	0°	30°	0°	30°

**Note:** Controlling dimensions are in millimeters. Approximate dimensions are provided in inches



# ZTL431, ZTL432

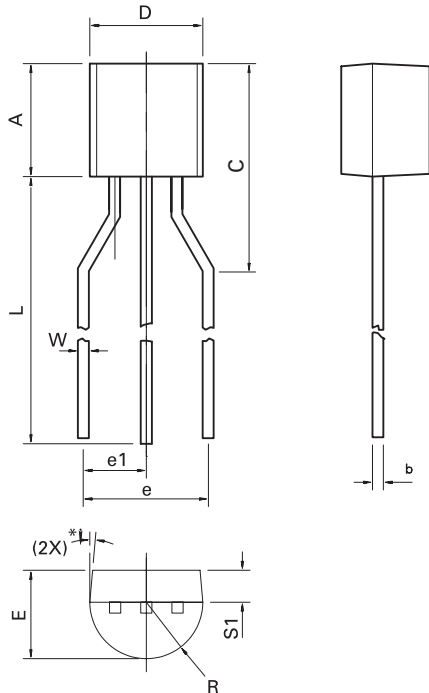
## Package details - SOT89



Dim.	Millimeters		Inches		Dim.	Millimeters		Inches	
	Min.	Max.	Min.	Max.		Min.	Max.	Min.	Max.
A	1.40	1.60	0.550	0.630	E1	2.13	2.29	0.084	0.090
B	0.44	0.56	0.017	0.022	e	1.50 BSC		0.059 BSC	
B1	0.36	0.48	0.014	0.019	e1	3.00 BSC		0.118 BSC	
C	0.35	0.44	0.014	0.019	H	3.94	4.25	0.155	0.167
D	4.40	4.60	0.173	0.181	L	0.89	1.20	0.155	0.167
E	2.29	2.60	0.090	0.102		-	-	-	-

**Note:** Controlling dimensions are in millimeters. Approximate dimensions are provided in inches

## Package details - TO92

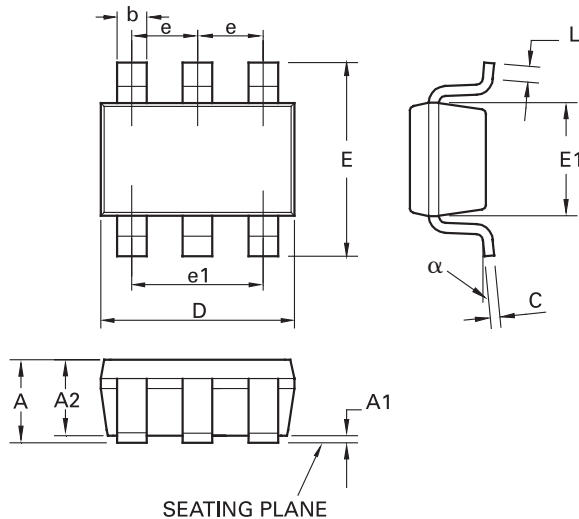


Dim.	Millimeters		Inches	
	Min.	Max.	Min.	Max.
A	4.32	4.95	0.170	0.195
b	0.36	0.51	0.014	0.020
C	2.50	3.50	0.099	0.138
E	3.30	3.94	0.130	0.155
e	4.88	5.88	0.192	0.232
e1	2.44	2.94	0.096	0.116
L	12.70	15.49	0.500	0.610
R	2.16	2.41	0.085	0.095
S1	1.14	1.52	0.045	0.060
W	0.41	0.56	0.016	0.022
D	4.45	4.95	0.175	0.195
**	4°	6°	4°	6°

**Note:** Controlling dimensions are in millimeters. Approximate dimensions are provided in inches

# ZTL431, ZTL432

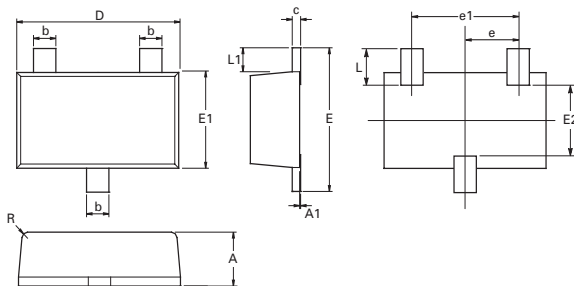
## Package details - SC70-6



Dim.	Millimeters		Inches		Dim.	Millimeters		Inches	
	Min.	Max.	Min.	Max.		Min.	Max.	Max.	Max.
A	0.80	1.10	0.0315	0.0433	E	2.10 BSC		0.0826	BSC
A1	-	0.10	-	0.0039	E1	1.25	1.35	0.0492	0.0531
A2	0.80	1.00	0.0315	0.0394	e	0.65 BSC		0.0255	BSC
b	0.15	0.30	0.006	0.0118	e1	1.30 BSC		0.0511	BSC
C	0.08	0.25	0.0031	0.0098	L	0.26	0.46	0.0102	0.0181
D	2.00 BSC		0.0787	BSC	alpha	0°	8°	0°	8°

**Note:** Controlling dimensions are in millimeters. Approximate dimensions are provided in inches

## Package details SOT23F



Dim.	Millimeters		Inches		Dim.	Millimeters		Inches	
	Min.	Max.	Min.	Max.		Min.	Max.	Max.	Max.
A	0.80	1.00	0.031	0.0394	E	2.30	2.50	0.0906	0.0984
A1	-	0.10	0.00	0.0043	E1	1.50	1.70	0.0590	0.0669
A2	0.06	0.16	0.0024	0.0006	E2	1.10	1.26	0.0433	0.0496
b	0.39	0.41	0.0153	0.0161	L	0.48	0.68	0.0189	0.0268
c	0.11	0.20	0.0043	0.0079	L1	0.39	0.41	0.0153	0.0161
D	2.80	3.00	0.1102	0.1181	R	0.05	0.15	0.0019	0.0059
e	0.95 ref		0.0374 ref		O	0°	12°	0°	12°
e1	1.90 ref		0.7480 ref		-	-	-	-	-

**Note:** Controlling dimensions are in millimeters. Approximate dimensions are provided in inches

### Europe

Zetex GmbH  
Streitfeldstraße 19  
D-81673 München  
Germany

Telefon: (49) 89 45 49 49 0  
Fax: (49) 89 45 49 49 49  
europe.sales@zetex.com

### Americas

Zetex Inc  
700 Veterans Memorial Highway  
Hauppauge, NY 11788  
USA

Telephone: (1) 631 360 2222  
Fax: (1) 631 360 8222  
usa.sales@zetex.com

### Asia Pacific

Zetex (Asia Ltd)  
3701-04 Metroplaza Tower 1  
Hing Fong Road, Kwai Fong  
Hong Kong

Telephone: (852) 26100 611  
Fax: (852) 24250 494  
asia.sales@zetex.com

### Corporate Headquarters

Zetex Semiconductors plc  
Zetex Technology Park, Chadderton  
Oldham, OL9 9LL  
United Kingdom

Telephone: (44) 161 622 4444  
Fax: (44) 161 622 4446  
hq@zetex.com

For international sales offices visit [www.zetex.com/offices](http://www.zetex.com/offices)

Zetex products are distributed worldwide. For details, see [www.zetex.com/salesnetwork](http://www.zetex.com/salesnetwork)

This publication is issued to provide outline information only which (unless agreed by the company in writing) may not be used, applied or reproduced for any purpose or form part of any order or contact or be regarded as a representation relating to the products or services concerned. The company reserves the right to alter without notice the specification, design, price or conditions of supply of any product or service.