

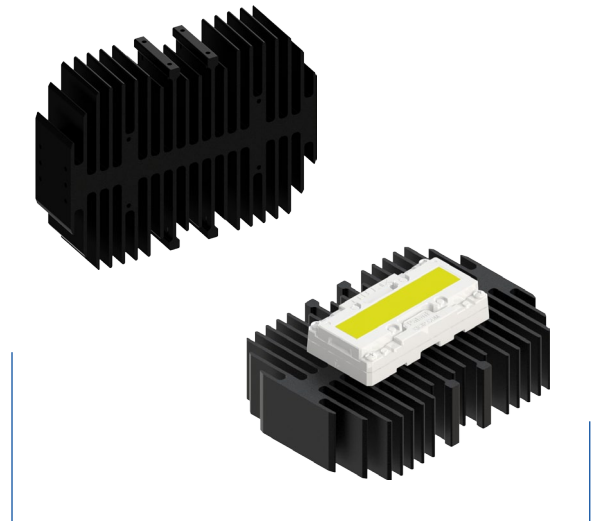
MechaTronix in LED

XLA-16 Xicato XLM LED Heat Sink 101mm(W)x140mm(L)x35mm(H)



Features & Benefits

- Designed for Xicato XLM LED series - thermal class R
- Xicato accessory reference XLA-16
- Foreseen from M3 mounting holes
- Dimensions - 101mm(W) x 140mm(L) x 35mm(H)
- Extruded from highly conductive aluminium
- 2 standard colors - clear anodised - black anodised



Order Information

XICATO

Example : XLA-16-M3-B-1

XLA-16-M3- **A** - **B**

- A** Anodising Color
 B - Black
 C - Clear
 Z - Custom (specify)

- B** Mounting Options - see graphics for details
 Combinations available
 Ex. order code - 13
 means option 1 and 3 combined

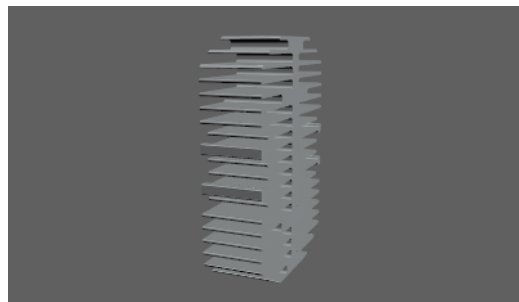
MOUNTING OPTION	THREAD	THREAD DEPTH
NONE/BLANC	NONE	NONE
1	M3 X 0.5	9mm MIN.
2	#6-32 UNC	0.35" MIN.
3	M3 X 0.5	9mm MIN.
4	#6-32 UNC	0.35" MIN.
5	M3 X 0.5	8mm MIN.
6	#6-32 UNC	0.35" MIN.
7	M6 X 1.0	15mm MIN.
8	1/4-20 UNC	0.60" MIN.

MechaTronix in LED

XLA-16 Xicato XLM LED Heat Sink 101mm(W)x140mm(L)x35mm(H)



Product Details



Model n°

XLA-16

Dimension (mm)	101 x 140 x 35
Volume (mm ³)	183673
Cooling Surface (mm ²)	124705
Weight (gr)	496
Heat Sink Material	AL6063 T5

Notes:

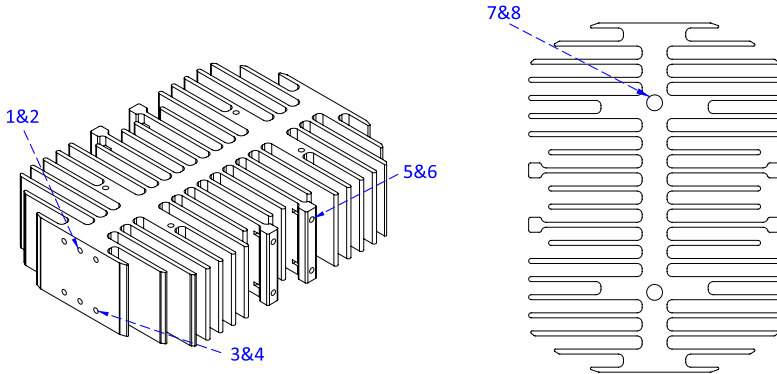
- MechaTronix reserves the right to change products or specifications without prior notice.
- Mentioned models are an extraction of full product range.
- For specific mechanical adaptations please contact MechaTronix.
- 3D files are available in ParaSolid, STP and IGS on request.

MechaTronix in LED

XLA-16 Xicato XLM LED Heat Sink 101mm(W)x140mm(L)x35mm(H)

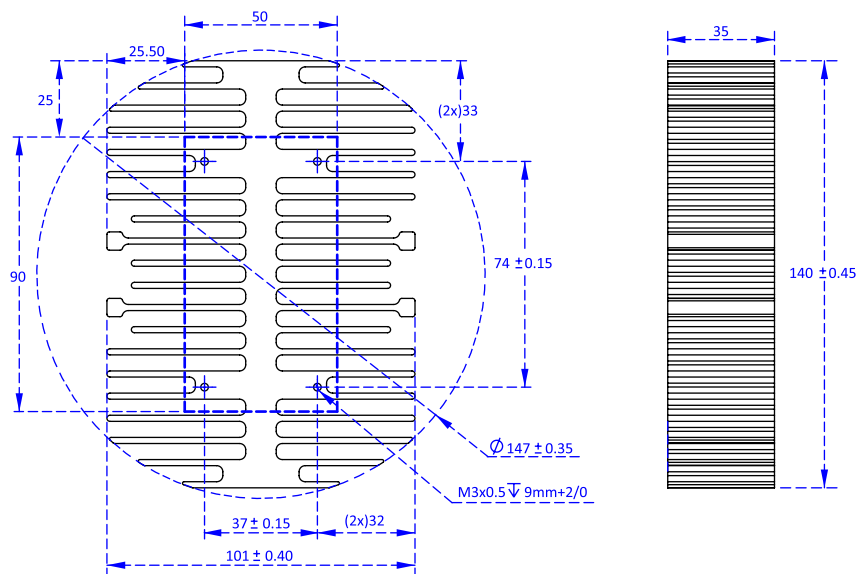


Mounting Options



<p>1 Mechanical version M3x0.5 Thread Depth: 9mm</p>	<p>2 Mechanical version #6-32UNC Thread Depth: 0.35mm</p>	<p>3 Mechanical version M3x0.5 Thread Depth: 9mm</p>	<p>4 Mechanical version #6-32UNC Thread Depth: 0.35mm</p>
<p>5 Mechanical version M3x0.5 Thread Depth: 8mm</p>	<p>6 Mechanical version #6-32UNC Thread Depth: 0.35mm</p>	<p>7 Mechanical version M6x1.0 Thread Depth: 15mm</p>	<p>8 Mechanical version 1/4-20UNC Thread Depth: 0.6mm</p>

Drawings & Dimensions



Example: XLA-16-M3-B-N

