

DRAWING FOR REFERENCE: This is subject to change without notice
 In cases where the application will demand a high level of reliability, such as automotive, please contact a company representative for further information.

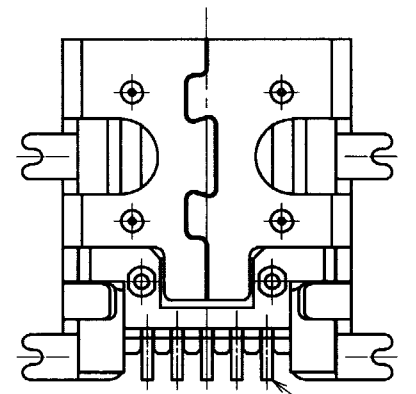
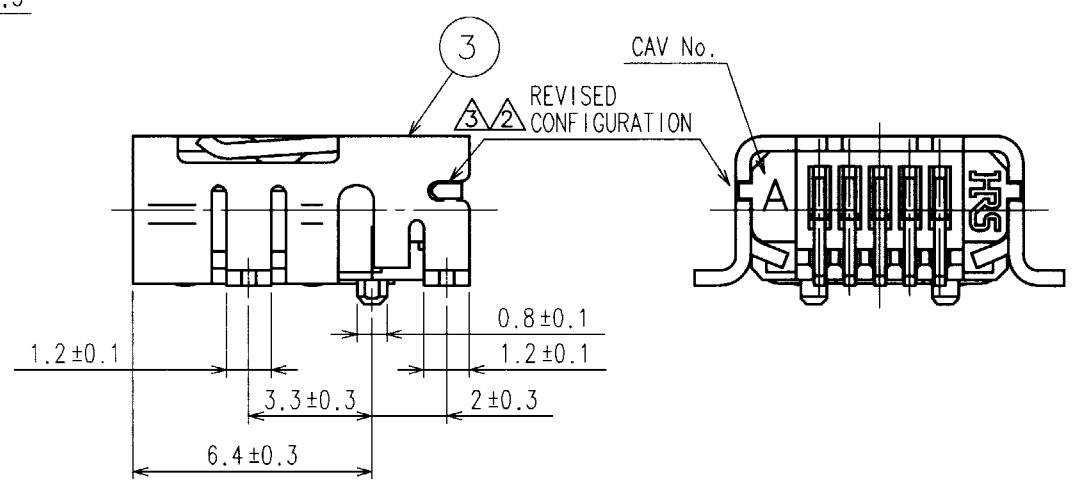
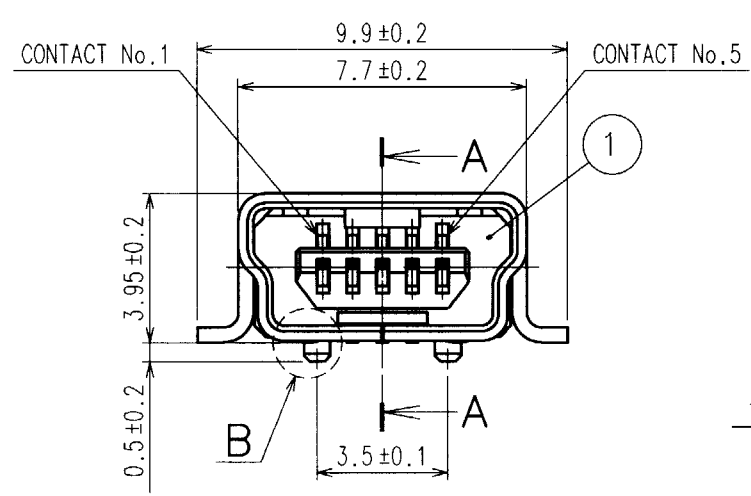
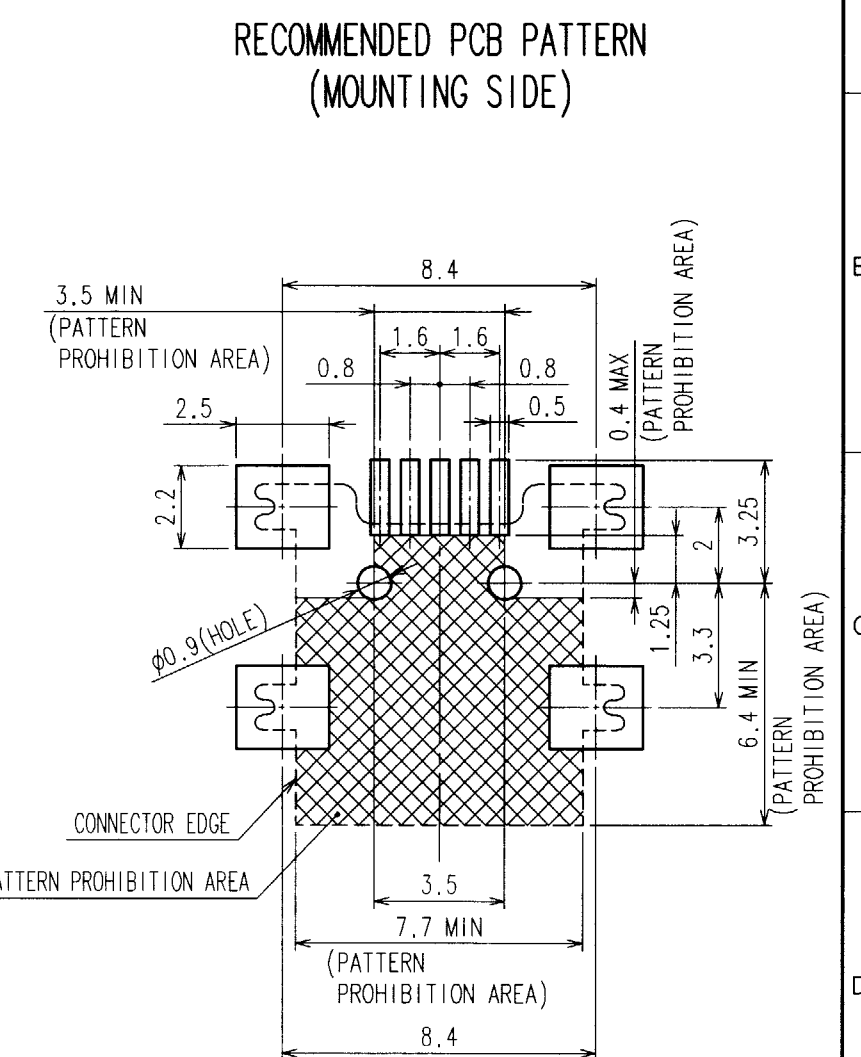
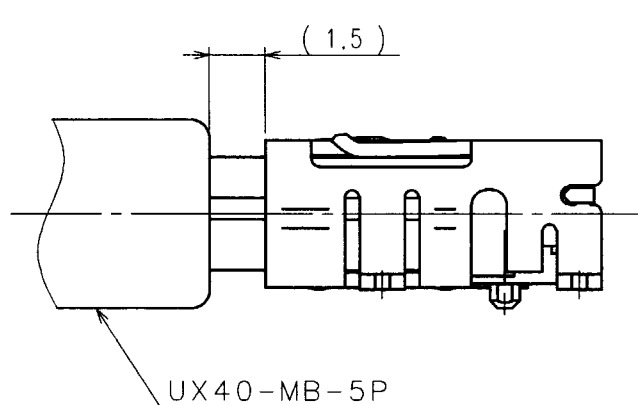
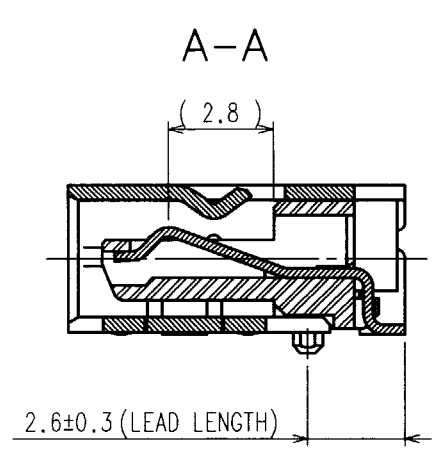
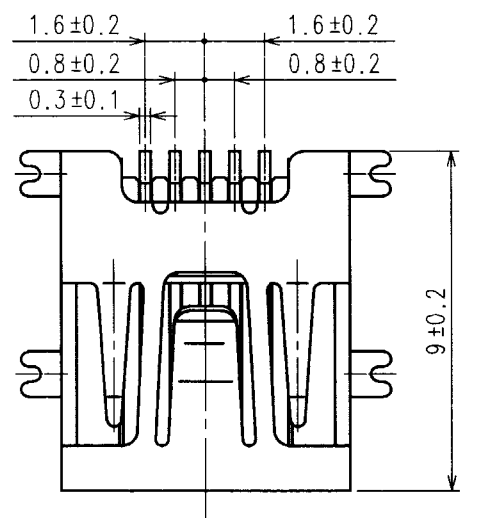
TO
 Q1
 Q2
 1 DN

COUNT	DESCRIPTION OF REVISIONS	BY	CHKD	DATE	COUNT	DESCRIPTION OF REVISIONS	BY	CHKD	DATE
△					△				
△					△				
APPLICABLE STANDARD									
RATING	OPERATING TEMPERATURE RANGE	-30°C TO 75°C			STORAGE TEMPERATURE RANGE	-40°C TO 85°C			
	VOLTAGE	5V AC			OPERATING HUMIDITY RANGE	-% TO -%			
	CURRENT	1A			APPLICABLE CABLE	-			
SPECIFICATIONS									
ITEM		TEST METHOD			REQUIREMENTS			QT	AT
CONSTRUCTION									
GENERAL EXAMINATION		VISUALLY AND BY MEASURING INSTRUMENT.			ACCORDING TO DRAWING.			○	○
MARKING		CONFIRMED VISUALLY.						○	○
ELECTRIC CHARACTERISTICS									
CONTACT RESISTANCE		100 mA (DC OR 1000 Hz).						○	○
CONTACT RESISTANCE MILLIVOLT LEVEL METHOD.		20 mV MAX, 100 mA(DC OR 1000 Hz).			50 mΩ MAX.			○	-
INSULATION RESISTANCE		100 V DC			100 MΩ MIN.			○	○
VOLTAGE PROOF		100 V AC FOR 1min.			NO FLASHOVER OR BREAKDOWN			○	○
CAPASITANCE		MEASURE ADJACENT TWO CONTACTS AT 1000±10Hz AC VOLTAGE.			2 pF MAX			○	-
MECHANICAL CHARACTERISTICS									
INSERTION AND WITHDRAWAL FORCES		MEASURED BY APPLICABLE CONNECTOR.			INSERTION FORCE 35 N MAX. EXTRACTION FORCE 7 N MIN.			○	-
MECHANICAL OPERATION		5000 TIMES INSERTIONS AND EXTRACTIONS.			① CONTACT RESISTANCE: 70 mΩ MAX. ② EXTRACTION FORCE 3 N MIN. ③ NO DAMAGE, CRACK AND LOOSENESS, OF PARTS.			○	-
VIBRATION		FREQUENCY 10 TO 55 Hz, SINGLE AMPLITUDE 0.75 mm AT 2 h, FOR 3 DIRECTIONS.			① NO ELECTRICAL DISCONTINUITY OF 1 μs. ② NO DAMAGE, CRACK AND LOOSENESS, OF PARTS.			○	-
RANDOM VIBRATION		FREQUENCY 50 TO 2000 Hz, AT 15 min, FOR 3 DIRECTIONS.						○	-
SHOCK		490 m/s ² DIRECTIONS OF PULSE 11 ms AT 3TIMES FOR 6 DIRECTION. HALF SINE WAVE.						○	-
ENVIRONMENTAL CHARACTERISTICS									
THERMAL SHOCK		TEMPERATURE -55→ 20~35→ 85→ 20~35 °C TIME 30 → 2~3 → 30 → 2~3 min UNDER 10 CYCLES,			① CONTACT RESISTANCE: 70 mΩ MAX. ② NO DAMAGE, CRACK AND LOOSENESS, OF PARTS.			○	-
HUMIDITY LIFE		TEMPERATURE -10~65 °C, HUMIDITY 90 TO 98 %, UNDER 7 CYCLES (168 h)			① INSULATION RESISTANCE: 10 MΩ MIN.(AT DRY) ② NO DAMAGE, CRACK AND LOOSENESS, OF PARTS.			○	-
CORROSION SALT MIST		EXPOSED IN 5% SALT WATER SPRAY FOR 48 h. (JIS C 5402)			① CONTACT RESISTANCE: 70 mΩ MAX. ② NO DAMAGE, CRACK AND LOOSENESS, OF PARTS.			○	-
SOLDERABILITY		SOLDERED AT TEMP.245°C FOR IN IMMERSION,DURATION,2~3 S.			SOLDER SHALL COVER A MINIMUM OF 95% OF THE SURFACE BEING IMMERSED.			○	-
REMARKS				DRAWN	DESIGNED	CHECKED	APPROVED	RELEASED	
Unless otherwise specified, refer to USB2.0 EIA364.				<i>m. Kenjo</i>	<i>m. Kenjo</i>	<i>S. Matsuyama</i>	<i>S. Kuroki</i>		
Note QT:Qualification Test AT:Assurance Test ○:Applicable Test				01.7.10	01.7.10	01.7.11	01.7.12		
HRS HIROSE ELECTRIC CO., LTD.		SPECIFICATION SHEET			PART NO. UX60-MB-5ST				
CODE NO.(OLD)		DRAWING NO. ELC4-123209			CODE NO. CL240-0001-9			1	1

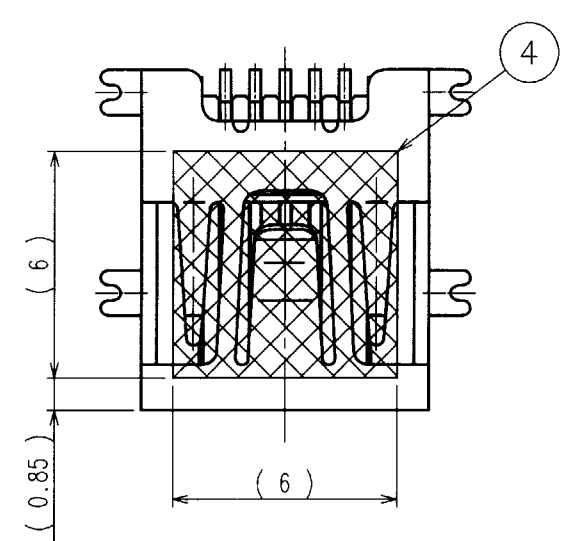


RoHS2(10 substances conformity)
 DRAWING FOR REFERENCE: This is subject to change without notice
 In cases where the application will demand a high level of reliability, such as automotive, please contact a company representative for further information.

COUNT	DESCRIPTION OF REVISIONS	BY	CHKD	DATE	COUNT	DESCRIPTION OF REVISIONS	BY	CHKD	DATE
1	RE-E-08181	M.K	A.S	01.10.02					
2	RE-E-08187	M.K	A.S	01.10.09					
3	RE-E-08373	M.K	A.S	02.01.15					



PICK & PLACE TAPE POSITION

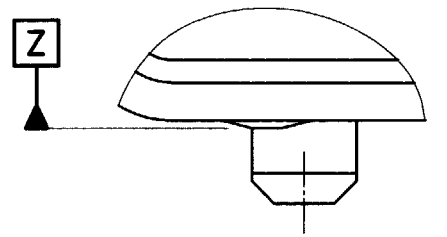


- NOTES 1 INTERFACE DIMENSIONS CONFORM TO USB2.0 STANDARDS.
 2 ALL 9 LEADS (5 PINS + 4 METAL FITTINGS) SMT AND CO-PLANARITY SHALL BE AS FOLLOWS.

SMT AGAINST DATUM Z	CO-PLANARITY
0±0.075	WITHIN 0.1

 3 PER REEL:1000 PIECES

B (20 : 1) (TOTAL 4 POINTS)



3	COPPER ALLOY	TIN ALLOY PLATING	6	PS	
2	COPPER ALLOY	SELECTED GOLD PLATING	5	PS	
1	LCP	BLACK UL94V-0	4	POLYAMIDE	
NO.	MATERIAL	FINISH, REMARKS	NO.	MATERIAL	FINISH, REMARKS

CODE NO. (OLD)	DRAWN	DESIGNED	CHECKED	APPROVED	RELEASED
	M. KENJO	M. KENJO	S. MATSUZAKI	S. KIKUTA	
	01.07.10	01.07.10	01.07.11	01.07.12	

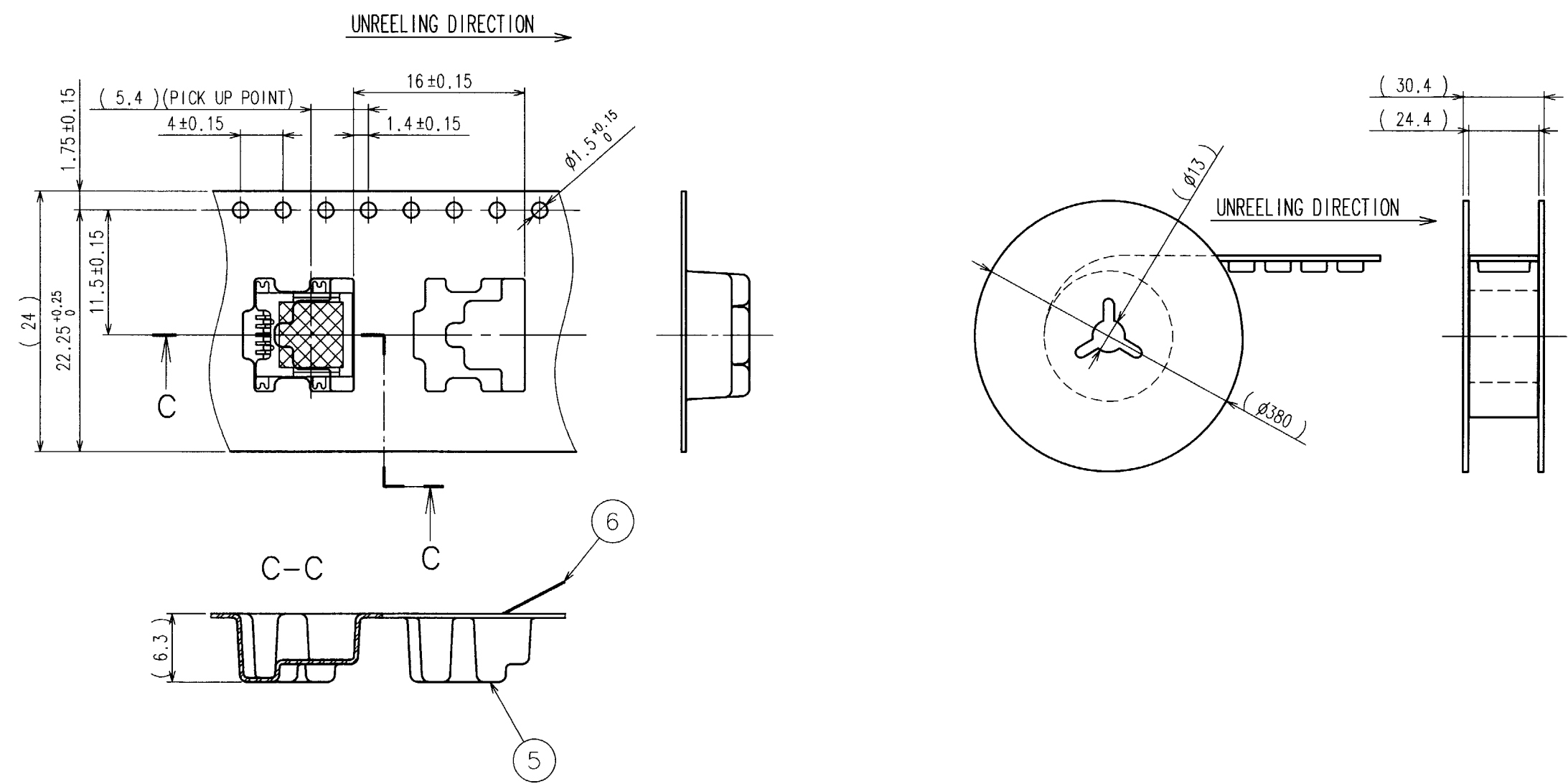
SCALE	DRAWING NO.	PART NO.
5 : 1	EDC3-123209	UX60-MB-5ST
UNITS	CODE NO.	
mm	CL240-0001-9	



2018/03/17 00:38:31(JST) Hayley North
 RoHS2(10 substances conformity)
 DRAWING FOR REFERENCE: This is subject to change without notice
 In cases where the application will demand a high level of reliability, such as automotive, please contact a company representative for further information.

5					6					7					8				
COUNT	DESCRIPTION OF REVISIONS				BY	CHKD	DATE	COUNT	DESCRIPTION OF REVISIONS				BY	CHKD	DATE				
△							..	△							..				
△							..	△							..				
△							..	△							..				

DRAWING FOR PACKING



TO

CODE NO. (OLD)	DRAWN	DESIGNED	CHECKED	APPROVED	RELEASED
	<i>M. Kenjo</i>	<i>M. Kenjo</i>	<i>Matsuzaki</i>	<i>S. Saito</i>	..
	01.7.10	01.7.10	01.7.11	01.7.12	..
SCALE	DRAWING NO.		PART NO.		
FREE	EDC3-123209		UX60-MB-5ST		
UNITS	HRS HIROSE ELECTRIC CO., LTD		CODE NO.		2/2
mm			CL240-0001-9		

