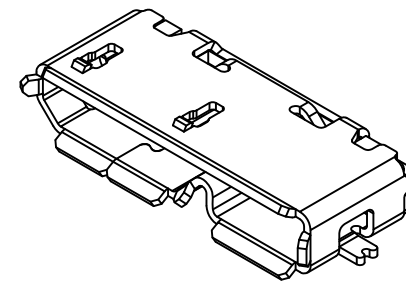
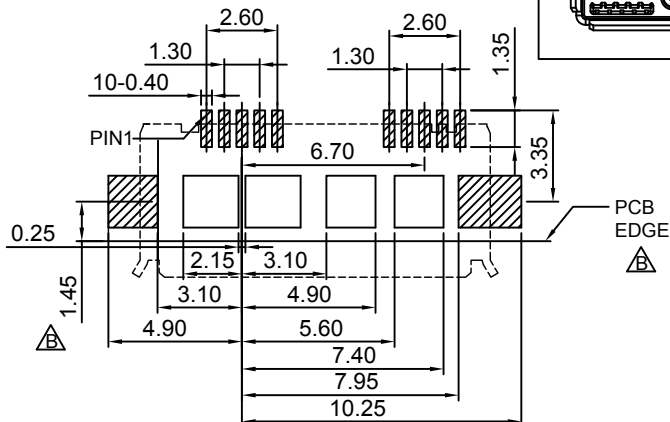
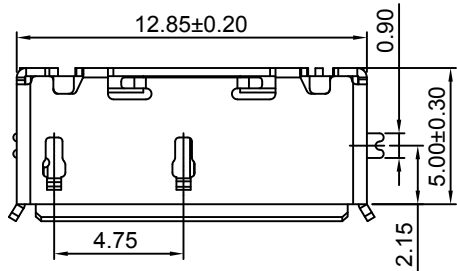
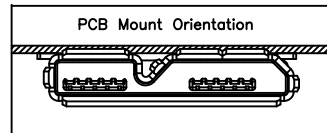
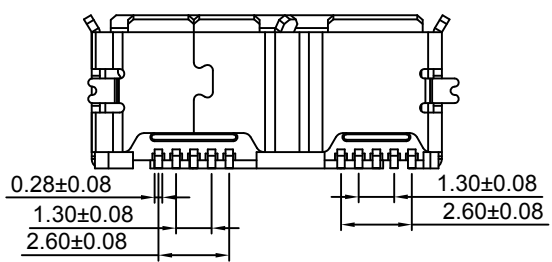
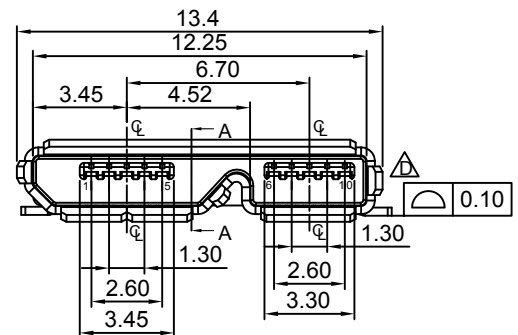
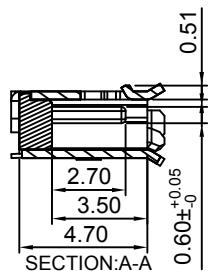
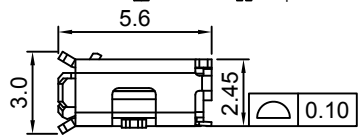


Designed to comply with physical, electrical and environmental requirements of micro USB Standard Compliance (USB3.0).



RECOMMENDED P.C.B LAYOUT
AS VIEWED FROM COMPONENT SIDE
Solder Area Component Outline



Specifications 规格:

Materials 材料:

- Plastic Housing 塑胶外壳: LCP, UL94V-0, Black, LCP, UL94V-0 黑色
- Contact Terminal 接触端子: Copper Alloy 铜合金
- Metallic Shell 金属外壳: Stainless Steel 不锈钢
- Finish 表面处理: Underplating 底层电镀: Nickel
- Plating 电镀: Contact Area 接触面积: 30µ" Gold
- Solder Tails 焊接末端: Gold Flash
- Metallic Shell 金属外壳: Tin

Electrical 电气规格:

- Voltage Rating 电压额定值: 100 V AC/DC
- Current Rating 电流额定值: Signal Mode 信号模式 1.0A AC/DC All Pins 所有引脚
- Power Mode 电源模式: Signal Pins 信号引脚 2,3,4,6,7,8,9 at 在 0.5A AC/DC & Power Pins 电源引脚 1,5 at 在 1.8A AC/DC
- Operating Temperature 工作温度: -30°C to +85°C
- Contact Resistance 接触电阻值: 30mΩ Max.
- Insulating Resistance 绝缘电阻值: 1000MΩ Min.
- Dielectric Withstand Voltage 耐电压: 100V AC/Minute
- Mechanical 机械性规格: Mating Force 插入力: 35N Max.
- Unmating Force 拔出力: 10N Min.
- Durability 耐久性: 10000

PIN NUMBER	SIGNAL NAME	DESCRIPTION
1	VBUS	Power
2	D-	USB 2.0 Differential pair
3	D+	
4	ID	OTG identification
5	GND	Ground for power return
6	MicB_SSTX-	SuperSpeed transmitter differential pair
7	MicB_SSTX+	
8	GND_DRAIN	Ground for SuperSpeed signal return
9	MicB_SSRX-	SuperSpeed receiver differential pair
10	MicB_SSRX+	
Shell	Shield	Connector metal shell

Ordering Grid
USB3115-30-A
Contact Plating 30 = 30µ" Gold
Packing Options A = Tape & Reel (1000 per Reel)

By	ASE	ASE	ASE	AJO	AJO
DETAIL	DRAWING RELEASE	ADDED PCB EDGE	PCN µUSB3.0-001	PIN INFO & SPEC UPDATES	PCN USB3115-002
REV DATE	A 12/08/13	B 13/09/11	C 01/02/12	D 17/09/12	E 22/10/13

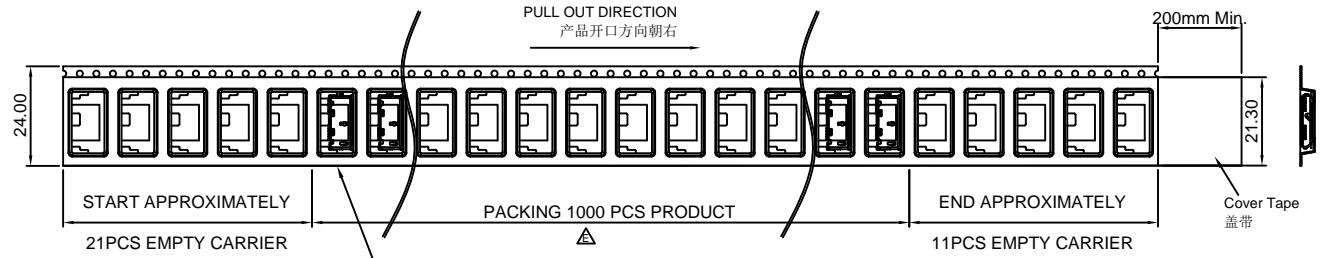
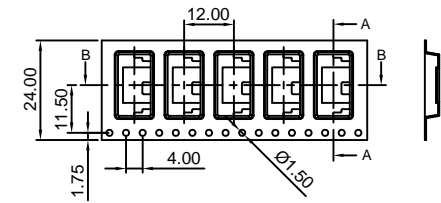


Tolerances (Except as noted)	Part Number:-	Date:-
Dimensions in mm	USB3115	16 MAY 11
X.X ± 0.3 X.XX ± 0.2 X.XXX ± 0.1	Description:-	
X.X° ± 2° X.XX° ± 1° X.XXX° ± 0.5°	USB 3.0 MICRO RECEPTACLE, TYPE B, SMT, HORIZONTAL, 10 PIN, BOTTOM MOUNT, W/SMT HOLDOWN PADS	
Third Angle Projection	THIS DRAWING IS CONFIDENTIAL AND MUST NOT BE COPIED OR DISCLOSED WITHOUT WRITTEN CONSENT	



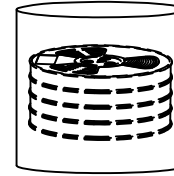
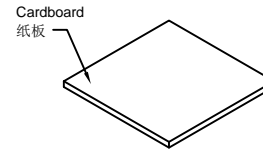
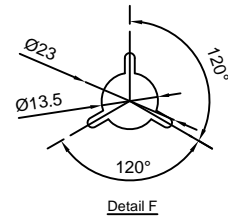
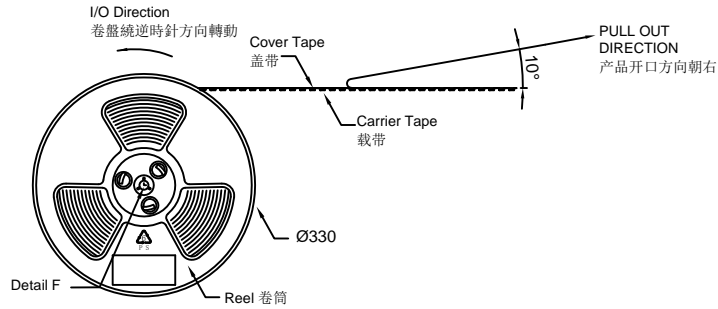
Scale NTS	Revision E	Material See Note	Drawn by ASE	E & OE	Sheet No. 1/2
-----------	------------	-------------------	--------------	--------	---------------

Global Connector Technology Ltd. - USB3115: USB 3.0 Micro Receptacle, Type B, SMT, Horizontal, 10 Pin, Bottom Mount, W/SMT Holddown Pads



Products P/N	PCS/Reel	Reels/Carton	PCS/Carton
USB3115-30-A	1000	4	4000

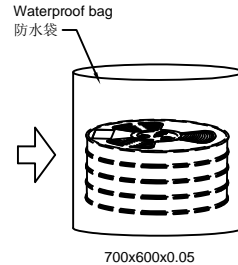
- Notes注意:
1. Peeling off force of top tape: 0.1-1.3N
 2. All dimensions in millimeters 所有尺寸均是毫米



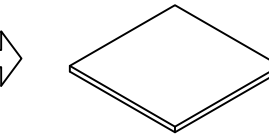
△ 1000 Pieces per reel



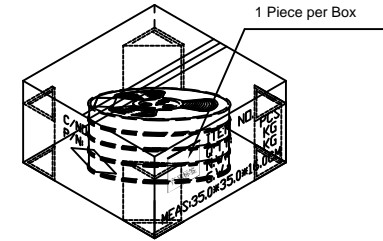
△ 4 Reels
4 卷轴



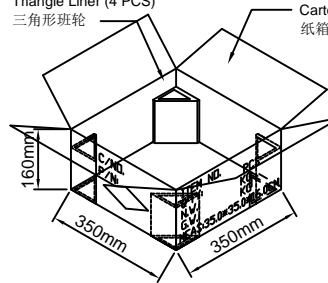
700x600x0.05



Triangle Liner (4 PCS)
三角形班轮



△ 4000 Pieces per carton



By	ASE	ASE	ASE	AJO	AJO
DETAIL	DRAWING RELEASE	ADDED PCB EDGE	PCN μUSB3.0-001	PIN INFO & SPEC UPDATES	PCN USB3115-002
REV DATE	A 12/08/13	B 13/09/11	C 01/02/12	D 17/09/12	E 22/10/13



Tolerances (Except as noted)	Part Number:-	Date:-
Dimensions in mm	USB3115	16 MAY 11
X.X ± 0.3	Description:-	
X.XX ± 0.2	USB 3.0 MICRO RECEPTACLE, TYPE B, SMT, HORIZONTAL, 10 PIN, BOTTOM MOUNT, W/SMT HOLDOWN PADS	
X.XXX ± 0.1	© THIS DRAWING IS CONFIDENTIAL AND MUST NOT BE COPIED OR DISCLOSED WITHOUT WRITTEN CONSENT	
X.X° ± 2°		
X.XX° ± 1°		
X.XXX° ± 0.5°		
Third Angle Projection		

GCT
www.gct.co

Scale	Revision	Material	Drawn by	Sheet No.
NTS	E	See Note	ASE	2/2