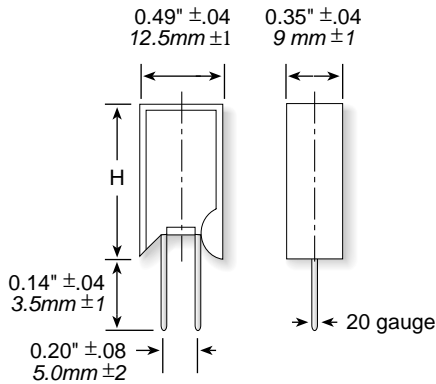


# TWW/TWM Series

## Ceramic Housed Radial Lead Power Resistors



Series	Wattage	Ohms	Height (in./mm)	Voltage	Element
TWW3	3	.01-39	0.98 / 25	250	Wire
TWW5	5	.01-47	0.98 / 25	350	Wire
TWW10	10	.04-990	1.97 / 50	750	Wire
TWM3	3	180-50K	0.98 / 25	250	Metal oxide
TWM5	5	200-50K	0.98 / 25	350	Metal oxide
TWM10	10	1000-50K	1.97 / 50	750	Metal oxide

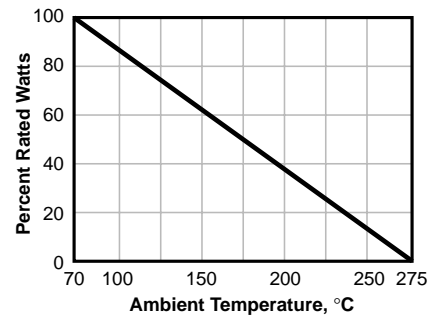
The TWW/TWM series radial lead power resistors offer significant board space savings over axial leaded products. Generated heat is also kept away from the circuit board.

They are recommended for commercial applications requiring low cost.

### FEATURES

- Economical Commercial Grade for general purpose use
- Wirewound and Metal Oxide construction
- Wide resistance range
- Flameproof inorganic construction

### DERATING CURVE



### SPECIFICATIONS

#### Material

**Housing:** Ceramic

**Core:** Fiberglass or metal oxide

**Filling:** Cement based

#### Electrical

**Tolerance:** 5% standard

**Temperature coeff.:**

.01-20Ω ±400ppm/°C

20-10Ω ±350ppm/°C

**Dielectric withstanding voltage:**

1,000VAC

#### Short time overload:

TWW: 10x rated power for 5 sec.

TWM: 5x rated power for 5 sec.

### STOCK PART NUMBERS FOR STANDARD RESISTANCE VALUES

Ohms	3 Watt	5 Watt	10 Watt	Ohms	3 Watt	5 Watt	10 Watt	Ohms	3 Watt	5 Watt	10 Watt	Ohms	3 Watt	5 Watt	10 Watt
	TWW_	TWW_	TWW_		TWW_	TWW_	TWW_		TWW_	TWW_	TWW_		TWM_	TWM_	TWW_
0.01	_3JR01	_5JR01	-	1.0	_3J1R0	_5J1R0	_10J1R0	33	_3J33R	_5J33R	_10J33R	680	_3J680	_5J680	_10J680
0.02	_3JR02	_5JR02	-	1.5	_3J1R5	_5J1R5	_10J1R5	39	_3J39R	_5J39R	_10J39R	750	_3J750	_5J750	_10J750
0.03	_3JR03	_5JR03	-	2.0	_3J2R0	_5J2R0	_10J2R0	43	TWM3J43R	_5J43R	_10J43R	820	_3J820	_5J820	_10J820
0.04	_3JR04	_5JR04	_10JR04	2.7	_3J2R7	_5J2R7	_10J2R7	47	_3J47R	_5J47R	_10J47R	1,000	_3J1K0	_5J1K0	TWM10J1K0
0.05	_3JR05	_5JR05	_10JR05	3.0	_3J3R0	_5J3R0	_10J3R0	56	_3J56R	TWM5J56R	_10J56R	1,500	_3J1K5	_5J1K5	_10J1K5
0.10	_3JR10	_5JR10	_10JR10	3.3	_3J3R3	_5J3R3	_10J3R3	68	_3J68R	_5J68R	_10J68R	2,000	_3J2K0	_5J2K0	_10J2K0
0.15	_3JR15	_5JR15	_10JR15	3.9	_3J3R9	_5J3R9	_10J3R9	75	_3J75R	_5J75R	_10J75R	2,700	_3J2K7	_5J2K7	_10J2K7
0.20	_3JR20	_5JR20	_10JR20	4.3	_3J4R3	_5J4R3	_10J4R3	82	_3J82R	_5J82R	_10J82R	3,000	_3J3K0	_5J3K0	_10J3K0
0.27	_3JR27	_5JR27	_10JR27	4.7	_3J4R7	_5J4R7	_10J4R7	100	_3J100	_5J100	_10J100	3,300	_3J3K3	_5J3K3	_10J3K3
0.30	_3JR30	_5JR30	_10JR30	5.6	_3J5R6	_5J5R6	_10J5R6	150	_3J150	_5J150	_10J150	3,900	_3J3K9	_5J3K9	_10J3K9
0.33	_3JR33	_5JR33	_10JR33	6.8	_3J6R8	_5J6R8	_10J6R8	200	_3J200	_5J200	_10J200	4,300	_3J4K3	_5J4K3	_10J4K3
0.39	_3JR39	_5JR39	_10JR39	7.5	_3J7R5	_5J7R5	_10J7R5	270	_3J270	_5J270	_10J270	4,700	_3J4K7	_5J4K7	_10J4K7
0.43	_3JR43	_5JR43	_10JR43	8.2	_3J8R2	_5J8R2	_10J8R2	300	_3J300	_5J300	_10J300	5,600	_3J5K6	_5J5K6	_10J5K6
0.47	_3JR47	_5JR47	_10JR47	10	_3J10R	_5J10R	_10J10R	330	_3J330	_5J330	_10J330	6,800	_3J6K8	_5J6K8	_10J6K8
0.56	_3JR56	_5JR56	_10JR56	15	_3J15R	_5J15R	_10J15R	390	_3J390	_5J390	_10J390	7,500	_3J7K5	_5J7K5	_10J7K5
0.68	_3JR68	_5JR68	_10JR68	20	_3J20R	_5J20R	_10J20R	430	_3J430	_5J430	_10J430	8,200	_3J8K2	_5J8K2	_10J8K2
0.75	_3JR75	_5JR75	_10JR75	27	_3J27R	_5J27R	_10J27R	470	_3J470	_5J470	_10J470	10,000	_3J10K	_5J10K	_10J10K
0.82	_3JR82	_5JR82	_10JR82	30	_3J30R	_5J30R	_10J30R	560	_3J560	_5J560	_10J560				