

TLV5613

2.7 V TO 5.5 V 12-BIT PARALLEL DIGITAL-TO-ANALOG CONVERTER WITH POWER DOWN

SLAS174B – DECEMBER 1997 – REVISED NOVEMBER 2000

- 12-Bit Voltage Output DAC
- Single Supply 2.7-V to 5.5-V Operation
- Separate Analog and Digital Supplies
- ± 0.4 LSB Differential Nonlinearity (DNL), ± 1.5 LSB Integral Nonlinearity (INL)
- Programmable Settling Time vs Power Consumption:
 - 1 μ s/4.2 mW in Fast Mode,
 - 3.5 μ s/1.2 mW in Slow Mode
- 8-Bit μ Controller Compatible Interface (8+4 Bit)
- Power-Down Mode (50 nW)
- Rail-to-Rail Output Buffer
- Synchronous or Asynchronous Update
- Monotonic Over Temperature

applications

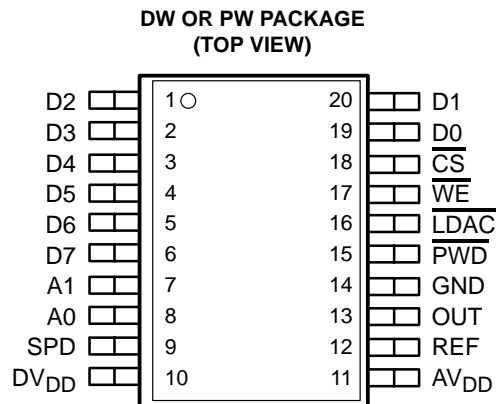
- Digital Servo Control Loops
- Battery Powered Test Instruments
- Digital Offset and Gain Adjustment
- Industrial Process Control
- Speech Synthesis
- Machine and Motion Control Devices
- Mass Storage Devices

description

The TLV5613 is a 12-bit voltage output digital-to-analog converter (DAC) with a 8-bit microcontroller compatible parallel interface. The 8 LSBs, the 4 MSBs and 3 control bits are written using three different addresses. Developed for a wide range of supply voltages, the TLV5613 can be operated from 2.7 V to 5.5 V.

The resistor string output voltage is buffered by a x2 gain rail-to-rail output buffer. The buffer features a Class A (slow mode: AB) output stage to improve stability and reduce settling time. The programmable settling time of the DAC allows the designer to optimize speed versus power dissipation. The settling time can be chosen by the control bits within the 16-bit data word.

Implemented with a CMOS process, the device is designed for single supply operation from 2.7 V to 5.5 V. It is available in 20 pin SOIC in standard commercial and industrial temperature ranges.



AVAILABLE OPTIONS

PACKAGE		
T _A	SMALL OUTLINE (DW)	TSSOP (PW)
0°C to 70°C	TLV5613CDW	TLV5613CPW
-40°C to 85°C	TLV5613IDW	TLV5613IPW



Please be aware that an important notice concerning availability, standard warranty, and use in critical applications of Texas Instruments semiconductor products and disclaimers thereto appears at the end of this data sheet.

PRODUCTION DATA information is current as of publication date. Products conform to specifications per the terms of Texas Instruments standard warranty. Production processing does not necessarily include testing of all parameters.



POST OFFICE BOX 655303 • DALLAS, TEXAS 75265

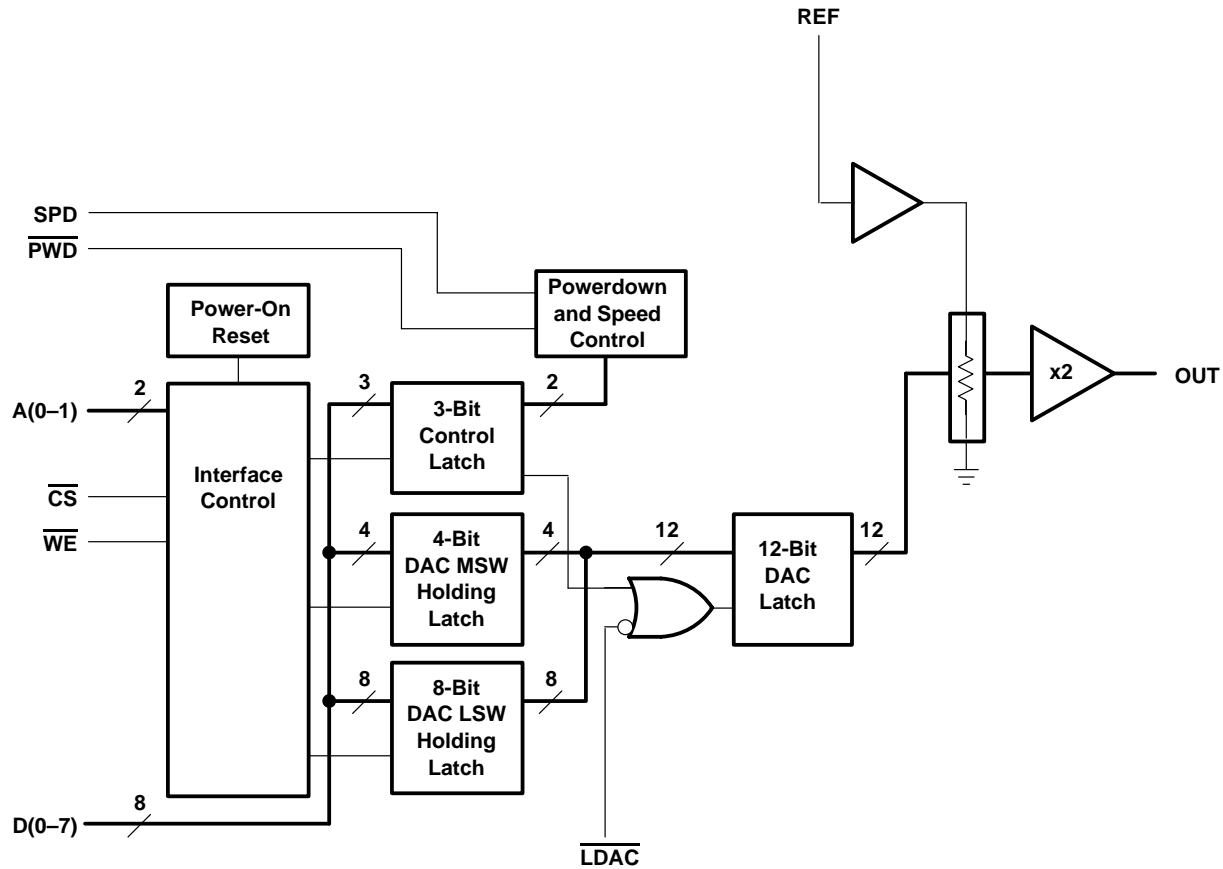
Copyright © 2000, Texas Instruments Incorporated

TLV5613

2.7 V TO 5.5 V 12-BIT PARALLEL DIGITAL-TO-ANALOG CONVERTER WITH POWER DOWN

SLAS174B – DECEMBER 1997 – REVISED NOVEMBER 2000

functional block diagram



Terminal Functions

TERMINAL NAME	NO.	I/O	DESCRIPTION
AV _{DD}	11		Analog positive power supply
A0	8	I	Address input
A1	7	I	Address input
$\overline{\text{CS}}$	18	I	Chip select. Digital input active low, used to enable/disable inputs
DV _{DD}	10		Digital positive power supply
D0 (LSB) – D7 (MSB)	1–6, 19, 20	I	Data input
$\overline{\text{LDAC}}$	16	I	Load DAC. Digital input active low, used to load DAC output
OUT	13	O	DAC analog voltage output
$\overline{\text{PWD}}$	15	I	Power down. Digital input active low
REF	12	I	Analog reference voltage input
SPD	9	I	Speed select. Digital input
GND	14		Ground
$\overline{\text{WE}}$	17	I	Write enable. Digital input active low, used to latch data

TLV5613

2.7 V TO 5.5 V 12-BIT PARALLEL DIGITAL-TO-ANALOG CONVERTER WITH POWER DOWN

SLAS174B – DECEMBER 1997 – REVISED NOVEMBER 2000

absolute maximum ratings over operating free-air temperature range (unless otherwise noted)†

Supply voltage (DV_{DD} , AV_{DD} to GND)	7 V
Supply voltage difference, AV_{DD} to DV_{DD}	– 2.8 V to 2.8 V
Reference input voltage range	– 0.3 V to $AV_{DD} + 0.3$ V
Digital input voltage range to GND	– 0.3 V to $DV_{DD} + 0.3$ V
Operating free-air temperature range, T_A : TLV5613C	0°C to 70°C
TLV5613I	–40°C to 85°C
Storage temperature range, T_{stg}	–65°C to 150°C
Lead temperature 1,6 mm (1/16 inch) from case for 10 seconds	260°C

† Stresses beyond those listed under “absolute maximum ratings” may cause permanent damage to the device. These are stress ratings only, and functional operation of the device at these or any other conditions beyond those indicated under “recommended operating conditions” is not implied. Exposure to absolute-maximum-rated conditions for extended periods may affect device reliability.

recommended operating conditions

		MIN	NOM	MAX	UNIT
Supply voltage, V_{DD}	5-V Supply	4.5	5	5.5	V
	3-V Supply	2.7	3	3.3	
Supply voltage difference, $\Delta V_{DD} = AV_{DD} - DV_{DD}$		–2.8	0	2.8	V
Power on reset, POR		0.55		2	V
High-level digital input voltage, V_{IH}	$DV_{DD} = 2.7$ V to 5.5 V	2			V
Low-level digital input voltage, V_{IL}	$DV_{DD} = 2.7$ V to 5.5 V			0.8	V
Reference voltage, V_{ref} to REFIN terminal	5-V Supply (see Note 1)	GND	2.048	$AV_{DD} - 1.5$	V
	3-V Supply (see Note 1)	GND	1.024	$AV_{DD} - 1.5$	
Load resistance, R_L		2			k Ω
Load capacitance, C_L				100	pF
Operating free-air temperature, T_A	TLV5613C	0		70	°C
	TLV5613I	–40		85	°C

NOTE 1: Due to the x2 output buffer, a reference input voltage $\geq (V_{DD} - 0.4)/2$ causes clipping of the transfer function.

2.7 V TO 5.5 V 12-BIT PARALLEL DIGITAL-TO-ANALOG CONVERTER WITH POWER DOWN

SLAS174B – DECEMBER 1997 – REVISED NOVEMBER 2000

electrical characteristics over recommended operating free-air temperature range, supply voltages, and reference voltages (unless otherwise noted)

power supply

PARAMETER		TEST CONDITIONS		MIN	TYP	MAX	UNIT
I _{DD}	Power supply current	No load, All inputs = GND or DV _{DD} , DAC latch = 0x800	V _{DD} = 5 V	Fast	1.6	3	mA
				Slow	0.5	1.3	mA
			V _{DD} = 3 V	Fast	1.4	2.7	mA
				Slow	0.4	1.1	mA
Power down supply current		See Figure 14		0.01	10	μA	
PSRR	Power supply rejection ratio	Zero scale,	See Note 2	-65		dB	
		Full scale,	See Note 3	-65			

NOTES: 2. Power supply rejection ratio at zero scale is measured by varying AV_{DD} and is given by:

$$PSRR = 20 \log [(E_{ZS}(AV_{DDmax}) - E_{ZS}(AV_{DDmin})) / AV_{DDmax}]$$

3. Power supply rejection ratio at full scale is measured by varying AV_{DD} and is given by:

$$PSRR = 20 \log [(E_G(AV_{DDmax}) - E_G(AV_{DDmin})) / AV_{DDmax}]$$

static DAC specifications

PARAMETER		TEST CONDITIONS		MIN	TYP	MAX	UNIT
Resolution		V _{ref} (REFIN) = 2.048 V, 1.024 V		12			bits
Integral nonlinearity (INL), end point adjusted		V _{ref} (REFIN) = 2.048 V, 1.024 V, See Note 4			±1.5	±4	LSB
Differential nonlinearity (DNL)		V _{ref} (REFIN) = 2.048 V, 1.024 V, See Note 5			±0.4	±1	LSB
E _{ZS}	Zero-scale error (offset error at zero scale)	V _{ref} (REFIN) = 2.048 V, 1.024 V, See Note 6			±3	±20	mV
Zero-scale-error temperature coefficient		V _{ref} (REFIN) = 2.048 V, 1.024 V, See Note 7			3		ppm/°C
E _G	Gain error	V _{ref} (REFIN) = 2.048 V, 1.024 V, See Note 8			±0.25	±0.5	% of FS voltage
Gain error temperature coefficient		V _{ref} (REFIN) = 2.048 V, 1.024 V, See Note 9			1		ppm/°C

NOTES: 4. The relative accuracy or integral nonlinearity (INL) sometimes referred to as linearity error, is the maximum deviation of the output from the line between zero and full scale excluding the effects of zero code and full-scale errors.

5. The differential nonlinearity (DNL) sometimes referred to as differential error, is the difference between the measured and ideal 1 LSB amplitude change of any two adjacent codes. Monotonic means the output voltage changes in the same direction (or remains constant) as a change in the digital input code.

6. Zero-scale error is the deviation from zero voltage output when the digital input code is zero.

7. Zero-scale-error temperature coefficient is given by: $E_{ZS} TC = [E_{ZS}(T_{max}) - E_{ZS}(T_{min})] / V_{ref} \times 10^6 / (T_{max} - T_{min})$.

8. Gain error is the deviation from the ideal output (V_{ref} - 1 LSB) with an output load of 10 kΩ excluding the effects of the zero-error.

9. Gain temperature coefficient is given by: $E_G TC = [E_G(T_{max}) - E_G(T_{min})] / V_{ref} \times 10^6 / (T_{max} - T_{min})$.

output specifications

PARAMETER		TEST CONDITIONS		MIN	TYP	MAX	UNIT
V _O	Output voltage	R _L = 10 kΩ		0		AV _{DD} -0.4	V
Output load regulation accuracy		V _O (OUT) = 4.096 V,	R _L = 2 kΩ,		0.1	0.29	% of FS voltage
I _{OSC} (source)	Output short circuit source current	V _O (OUT) = 0 V, input all 1s		AV _{DD} = 5 V	-100		mA
				AV _{DD} = 3 V	-25		
I _{OSC} (sink)	Output short circuit sink current	R _L = 100 Ω, input all 1s		AV _{DD} = 5 V	-10		mA
				AV _{DD} = 3 V	-10		



TLV5613

2.7 V TO 5.5 V 12-BIT PARALLEL DIGITAL-TO-ANALOG CONVERTER WITH POWER DOWN

SLAS174B – DECEMBER 1997 – REVISED NOVEMBER 2000

electrical characteristics over recommended operating free-air temperature range, supply voltages, and reference voltages (unless otherwise noted)

reference input (REFIN)

PARAMETER	TEST CONDITIONS	MIN	TYP	MAX	UNIT
V _{ref} Input voltage reference	See Note 10	0		AV _{DD} -1.5	V
R _i Input resistance			10		MΩ
C _i Input capacitance			5		pF
Reference input bandwidth	REF = 0.2 V _{pp} + 1.024 V dc	Fast mode	1.6		MHz
		Slow mode	1		MHz
Reference feed through	REF = 1 V _{pp} at 1 kHz + 1.024 V dc, See Note 10		-60		dB

NOTES: 10. Reference feedthrough is measured at the DAC output with an input code = 0x000.

digital inputs

PARAMETER	TEST CONDITIONS	MIN	TYP	MAX	UNIT
I _{IH} High-level digital input current	V _I = DV _{DD}			1	μA
I _{IL} Low-level digital input current	V _I = 0 V	-1			μA
C _i Input capacitance			8		pF

operating characteristics over recommended operating free-air temperature range, supply voltages, and reference voltages (unless otherwise noted)

analog output dynamic performance

PARAMETER	TEST CONDITIONS	MIN	TYP	MAX	UNIT
t _s (FS) Output settling time, full scale	R _L = 10 kΩ, C _L = 100 pF, See Note 11	Fast	1	3	μs
		Slow	3.5	7	
t _s (CC) Output settling time, code-to-code	R _L = 10 kΩ, C _L = 100 pF, See Note 12	Fast	0.5	1.5	μs
		Slow	1	2	
SR Slew rate	R _L = 10 kΩ, C _L = 100 pF, See Note 13	Fast	8		V/μs
		Slow	1.5		
Glitch energy	Code-to-code transition		1		nV-s
S/N Signal-to-noise	f _s = 480 KSPS, f _{out} = 1 kHz, R _L = 10 k, C _L = 100 pF		65	78	dB
S/(N+D) Signal-to-noise + distortion			58	69	
THD Total harmonic distortion				-68 -60	
Spurious free dynamic range			60	72	

NOTES: 11. Settling time is the time for the output signal to remain within ±0.5 LSB of the final measured value for a digital input code change of 0x020 to 0x3FF or 0x3FF to 0x020.

12. Settling time is the time for the output signal to remain within ± 0.5 LSB of the final measured value for a digital input code change of one count. The max time applies to code changes near zero scale or full scale.

13. Slew rate determines the time it takes for a change of the DAC output from 10% to 90% full-scale voltage.

TLV5613
2.7 V TO 5.5 V 12-BIT PARALLEL DIGITAL-TO-ANALOG CONVERTER
WITH POWER DOWN

SLAS174B – DECEMBER 1997 – REVISED NOVEMBER 2000

timing requirements

digital inputs

		MIN	NOM	MAX	UNIT
$t_{su}(D)$	Setup time, data ready before positive \overline{WE} edge	9			ns
$t_{su}(CS-WE)$	Setup time, \overline{CS} low before positive \overline{WE} edge	13			ns
$t_{su}(A)$	Setup time, address bits A0, A1	17			ns
$t_h(D)$	Hold time, data held after positive \overline{WE} edge	0			ns
$t_{su}(WE-LD)$	Setup time, positive \overline{WE} edge before LDAC low	0			ns
$t_w(WE)$	Pulse duration, \overline{WE} high	25			ns
$t_w(LD)$	Pulse duration, LDAC low	25			μ s

PARAMETER MEASUREMENT INFORMATION

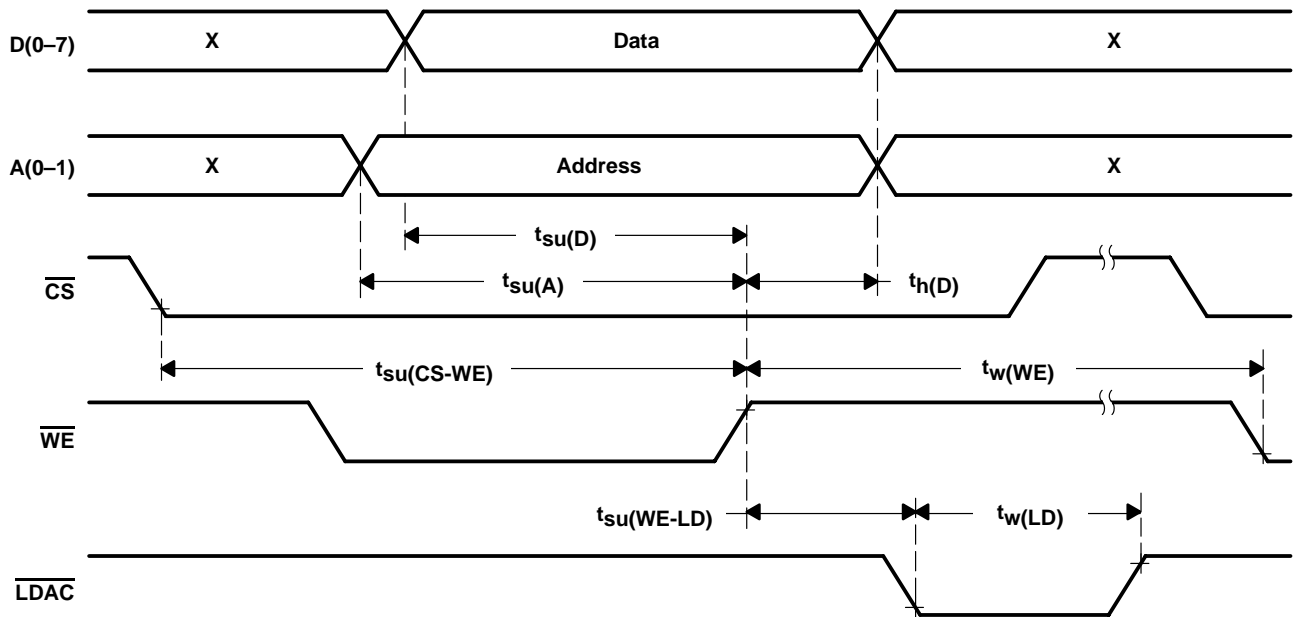


Figure 1. Timing Diagram

TLV5613
**2.7 V TO 5.5 V 12-BIT PARALLEL DIGITAL-TO-ANALOG CONVERTER
 WITH POWER DOWN**

SLAS174B – DECEMBER 1997 – REVISED NOVEMBER 2000

PARAMETER MEASUREMENT INFORMATION

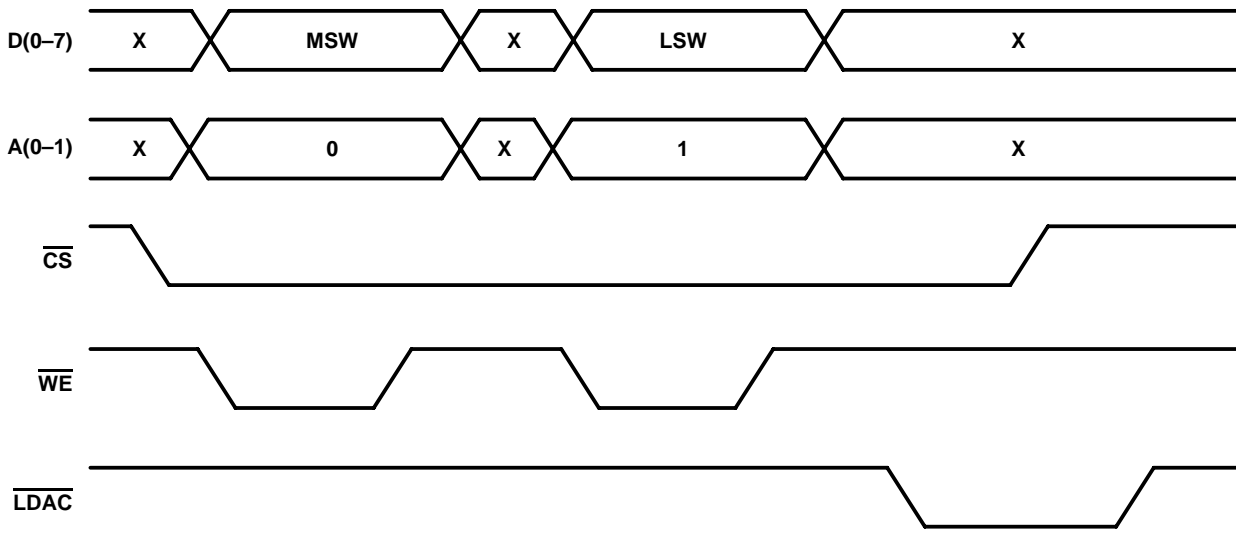


Figure 2. Example of a Complete Write Cycle Using \overline{LDAC} to Update the DAC

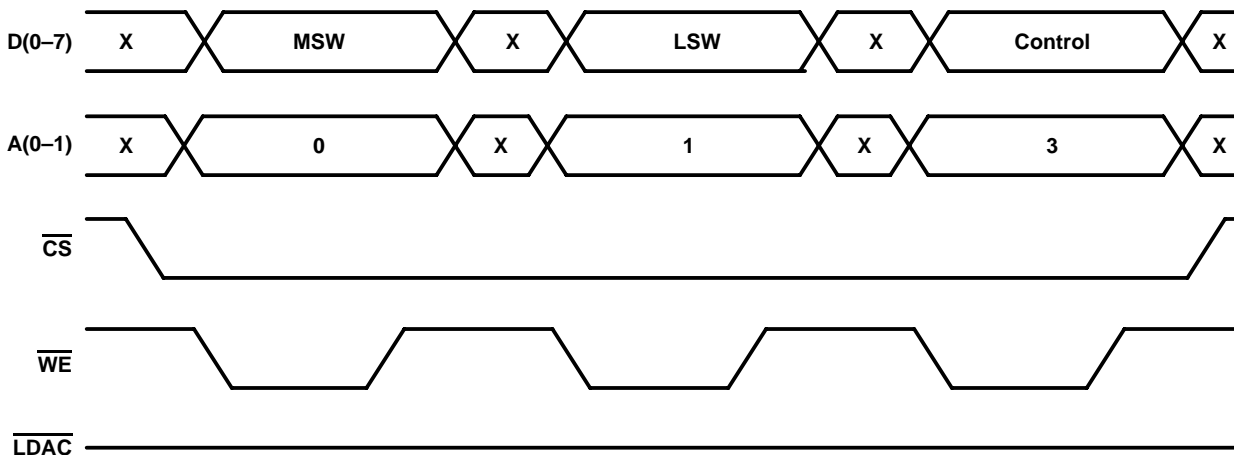


Figure 3. Example of a Complete Write Cycle Using the Control Word to Update the DAC

TLV5613
2.7 V TO 5.5 V 12-BIT PARALLEL DIGITAL-TO-ANALOG CONVERTER
WITH POWER DOWN

SLAS174B – DECEMBER 1997 – REVISED NOVEMBER 2000

TYPICAL CHARACTERISTICS

**MAXIMUM OUTPUT VOLTAGE
vs
LOAD**

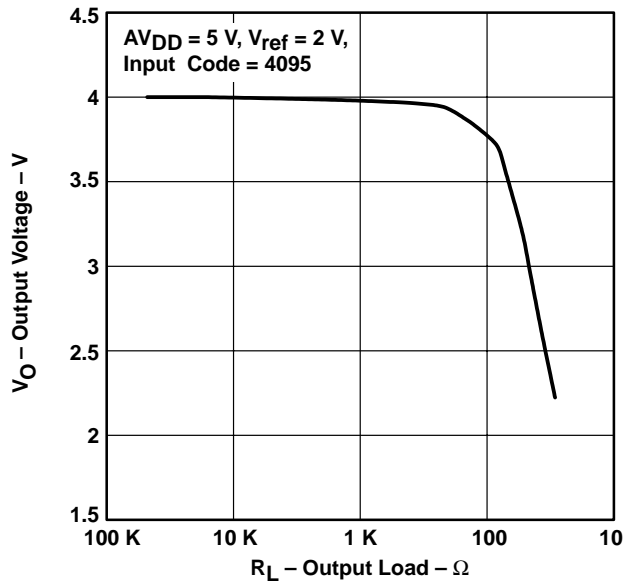


Figure 4

**MAXIMUM OUTPUT VOLTAGE
vs
LOAD**

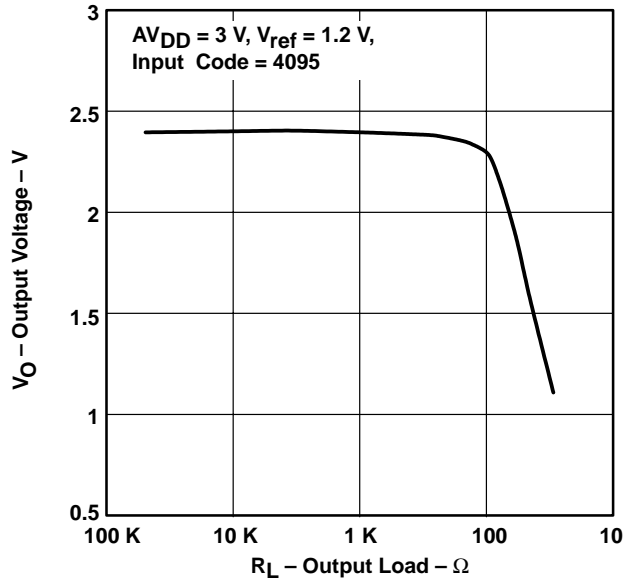


Figure 5

**TOTAL HARMONIC DISTORTION
vs
LOAD**

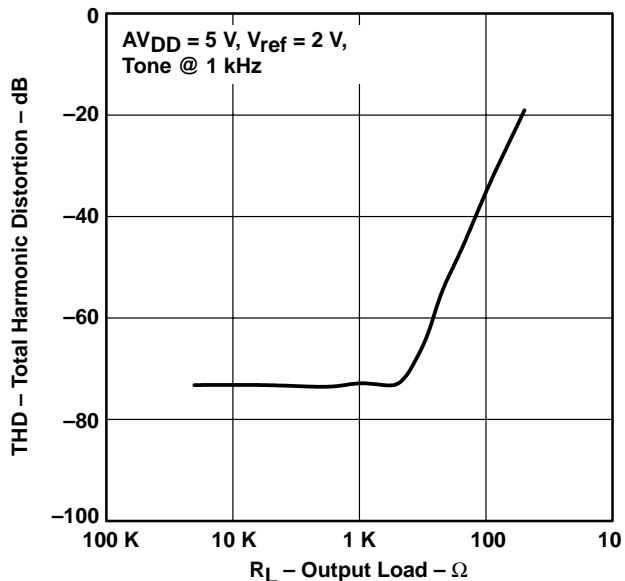


Figure 6

**TOTAL HARMONIC DISTORTION
vs
LOAD**

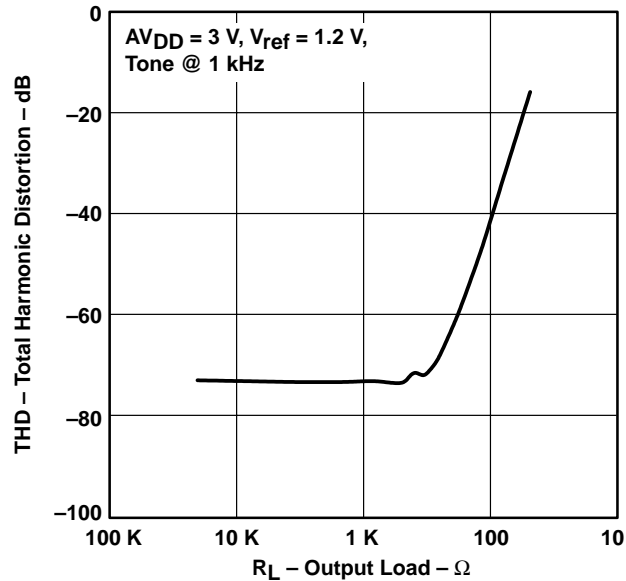


Figure 7



TLV5613

2.7 V TO 5.5 V 12-BIT PARALLEL DIGITAL-TO-ANALOG CONVERTER WITH POWER DOWN

SLAS174B – DECEMBER 1997 – REVISED NOVEMBER 2000

TYPICAL CHARACTERISTICS

**TOTAL HARMONIC DISTORTION
vs
FREQUENCY**

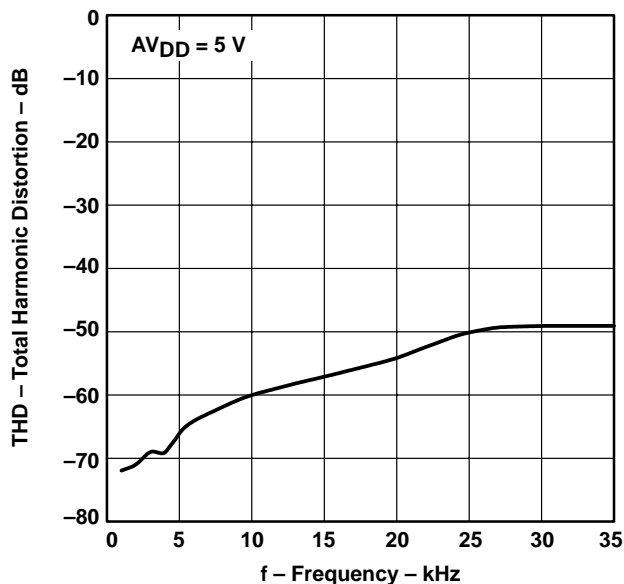


Figure 8

**TOTAL HARMONIC DISTORTION
vs
FREQUENCY**

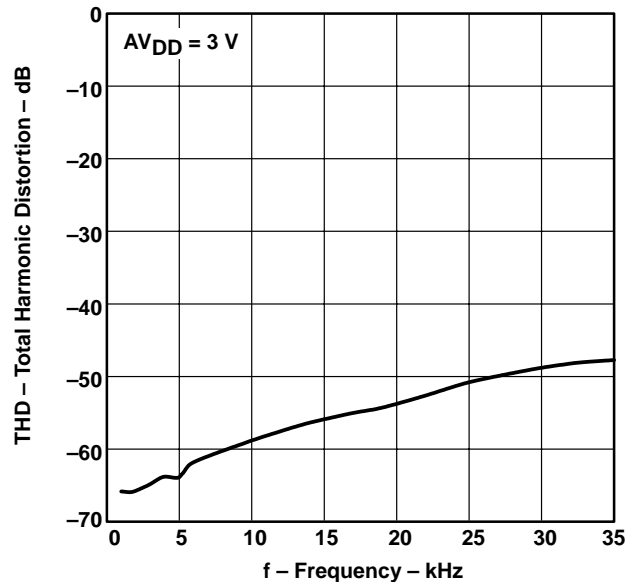


Figure 9

**SIGNAL-TO-NOISE + DISTORTION
vs
FREQUENCY**

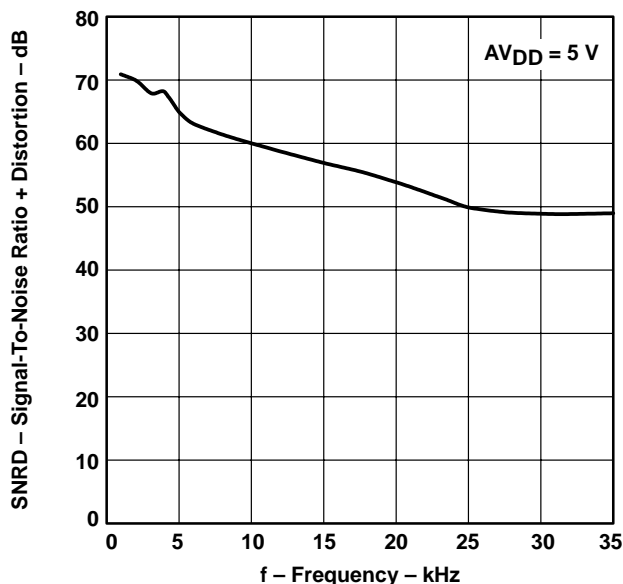


Figure 10

**SIGNAL-TO-NOISE + DISTORTION
vs
FREQUENCY**

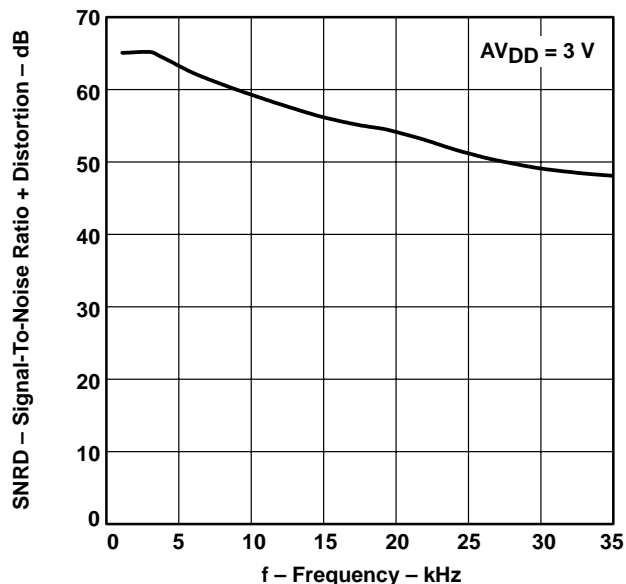


Figure 11

TYPICAL CHARACTERISTICS

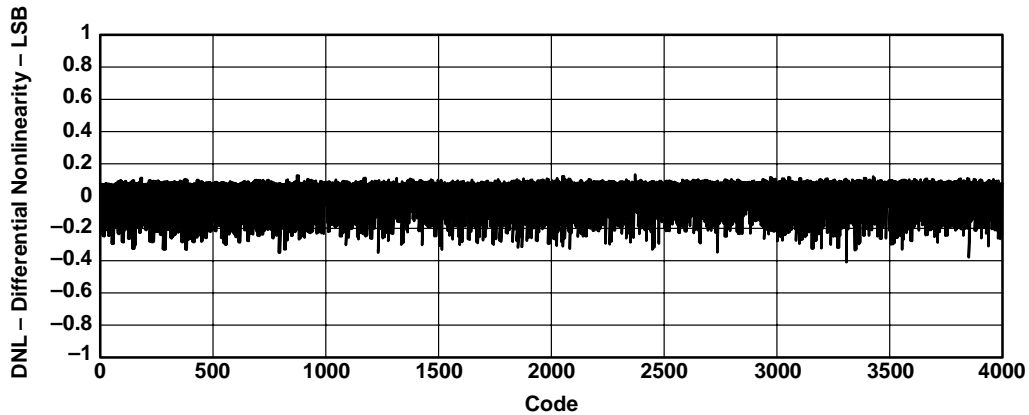


Figure 12. Differential Nonlinearity

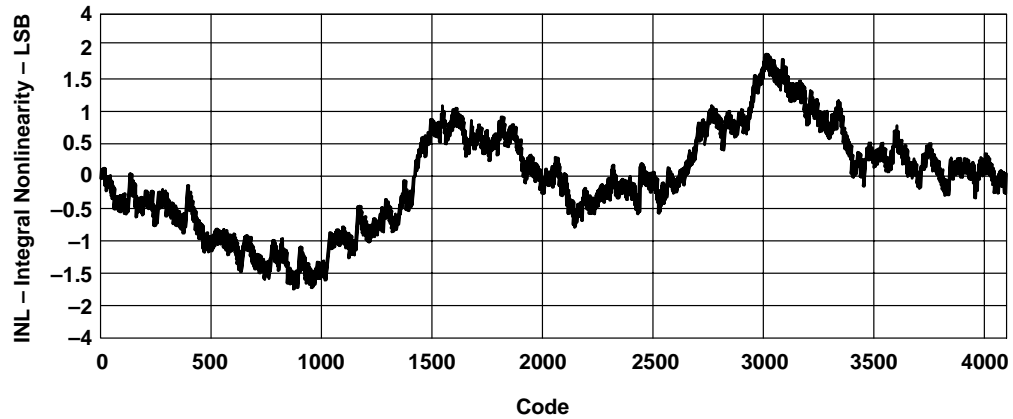


Figure 13. Integral Nonlinearity

TYPICAL CHARACTERISTICS

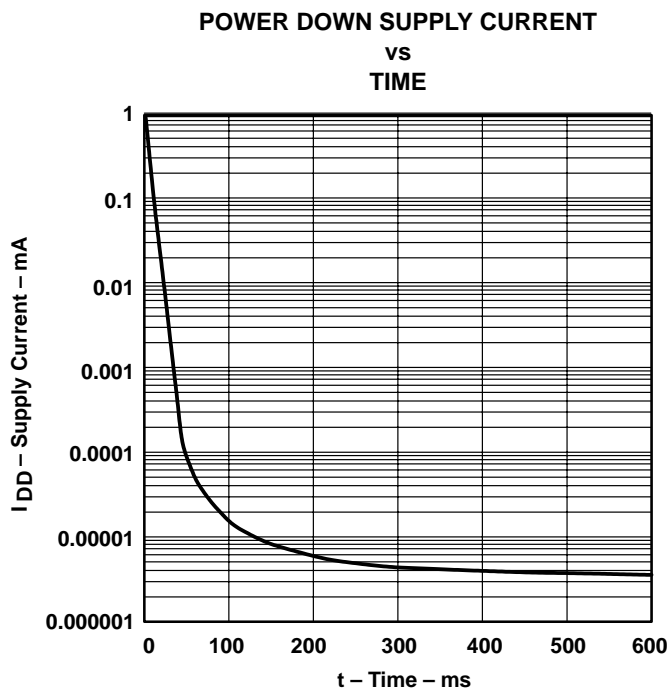


Figure 14

APPLICATION INFORMATION

general function

The TLV5613 is a 12-bit, single supply DAC, based on a resistor string architecture. It consists of a parallel interface, speed and power down control logic, a resistor string and a rail-to-rail output buffer. The output voltage (full scale determined by reference) is given by:

$$2 \text{ REF } \frac{\text{CODE}}{0x1000} \text{ [V]}$$

Where REF is the reference voltage and CODE is the digital input value, range 0x000 to 0xFFFF. A power on reset initially puts the internal latches to a defined state (all bits zero).

parallel interface

The device latches data on the positive edge of \overline{WE} . It must be enabled with \overline{CS} low. Whether the data is written to one of the DAC holding latches (MSW, LSW) or the control register, depends on the address bits A1 and A0. \overline{LDAC} low updates the DAC with the value in the holding latch. \overline{LDAC} is an asynchronous input and can be held low, if a separate update is not necessary. Two more asynchronous inputs, SPD and \overline{PWD} control the settling times and the power down mode:

\overline{SPD} :	Speed control	1 → fast mode	0 → slow mode
\overline{PWD} :	Power control	1 → normal operation	0 → power down

APPLICATION INFORMATION

It is also possible to program the different modes (fast, slow, power down) and the DAC update latch using the control register. The following tables list the possible combination of the control signals and control bits.

PIN	BIT	MODE
SPD	SPD	
0	0	Slow
0	1	Fast
1	0	Fast
1	1	Fast

PIN	BIT	POWER
$\overline{\text{PWD}}$	PWD	
0	0	Down
0	1	Down
1	0	Normal
1	1	Down

PIN	BIT	LATCH
$\overline{\text{LDAC}}$	RLDAC	
0	0	Transparent
0	1	Transparent
1	0	Hold
1	1	Transparent

data format

The TLV5613 writes data either to one of the DAC holding latches or to the control register depending on the address bits A1 and A0.

ADDRESS BITS

A1	A0	REGISTER
0	0	DAC LSW holding
0	1	DAC MSW holding
1	0	Reserved
1	1	Control

D7	D6	D5	D4	D3	D2	D1	D0
X	X	X	X	X	RLDAC	PWD	SPD

X: Don't care

SPD: Speed control bit 1 → fast mode 0 → slow mode
 PWD: Power control bit 1 → power down 0 → normal operation
 RLDAC: Load DAC latch 1 → latch transparent 0 → DAC latch controlled by $\overline{\text{LDAC}}$ pin



APPLICATION INFORMATION

layout considerations

To achieve the best performance, it is recommended to have separate power planes for GND, AV_{DD}, and DV_{DD}. Figure 15 shows how to lay out the power planes for the TLV5613. As a general rule, digital and analog signals should be separated as wide as possible. To avoid crosstalk, analog and digital traces must not be routed in parallel. The two positive power planes (AV_{DD} and DV_{DD}) should be connected together at one point with a ferrite bead.

A 100-nF ceramic low series inductance capacitor between DV_{DD} and GND and a 1-μF tantalum capacitor between AV_{DD} and GND as close as possible to the supply pins are recommended for optimal performance.

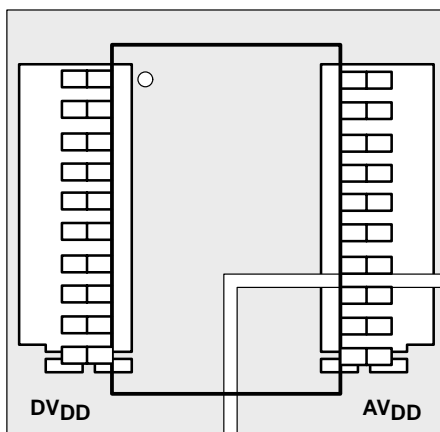


Figure 15. TLV5613 Board Layout

linearity, offset, and gain error using single end supplies

When an amplifier is operated from a single supply, the voltage offset can still be either positive or negative. With a positive offset, the output voltage changes on the first code change. With a negative offset the output voltage may not change with the first code depending on the magnitude of the offset voltage.

The output amplifier attempts to drive the output to a negative voltage. However, because the most negative supply rail is ground, the output cannot drive below ground and clamps the output at 0 V.

The output voltage remains at zero until the input code value produces a sufficient positive output voltage to overcome the negative offset voltage, resulting in the transfer function shown in Figure 16.

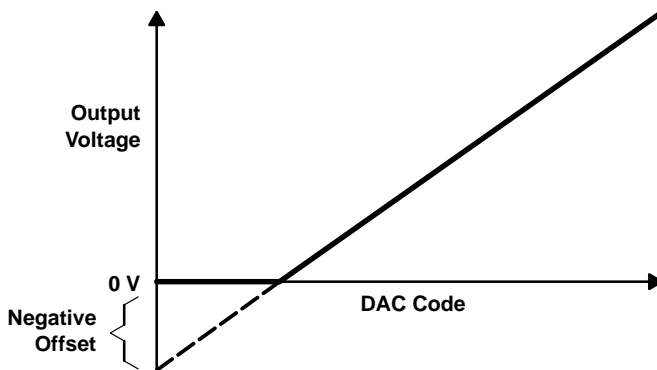


Figure 16. Effect of Negative Offset (Single Supply)

TLV5613

2.7 V TO 5.5 V 12-BIT PARALLEL DIGITAL-TO-ANALOG CONVERTER WITH POWER DOWN

SLAS174B – DECEMBER 1997 – REVISED NOVEMBER 2000

APPLICATION INFORMATION

This offset error, not the linearity error, produces this breakpoint. The transfer function would have followed the dotted line if the output buffer could drive below the ground rail.

For a DAC, linearity is measured between zero input code (all inputs 0) and full scale code (all inputs 1) after offset and full scale are adjusted out or accounted for in some way. However, single supply operation does not allow for adjustment when the offset is negative due to the breakpoint in the transfer function. So the linearity is measured between full scale code and the lowest code that produces a positive output voltage.

TLV5613 interfaced to an Intel MCS[®]251 controller

The circuit in Figure 17 shows how to interface the TLV5613 to an Intel MCS[®]251 microcontroller. The address bus and the data bus of the controller are multiplexed on port 0 (non page mode) to save port pins. To separate the address bits and the data bits, the controller provides a dedicated signal, address latch enable (ALE), which is connected to a latch at port 0.

An address decoder is required to generate the chip select signal for the TLV5613. In this example, a simple 3-to-8 decoder (74AC138) is used for the interface as shown in Figure 17. The DAC is memory mapped at addresses 0x8000/1/2/3 within the data memory address space and mirrored every 32 address locations (0x8020/1/2/3, 0x8040/1/2/3, etc.). In a typical microcontroller system, programmable logic should be used to generate the chip select signals for the entire system.

The data pins and the \overline{WE} pin of the TLV5613 can be connected directly to the multiplexed address and data bus and the \overline{WR} signal of the controller.

\overline{LDAC} is held high so that the output voltage is updated using the RLDAC bit in the control register. Hardware power down mode is deactivated permanently by pulling PWD to DV_{DD}.

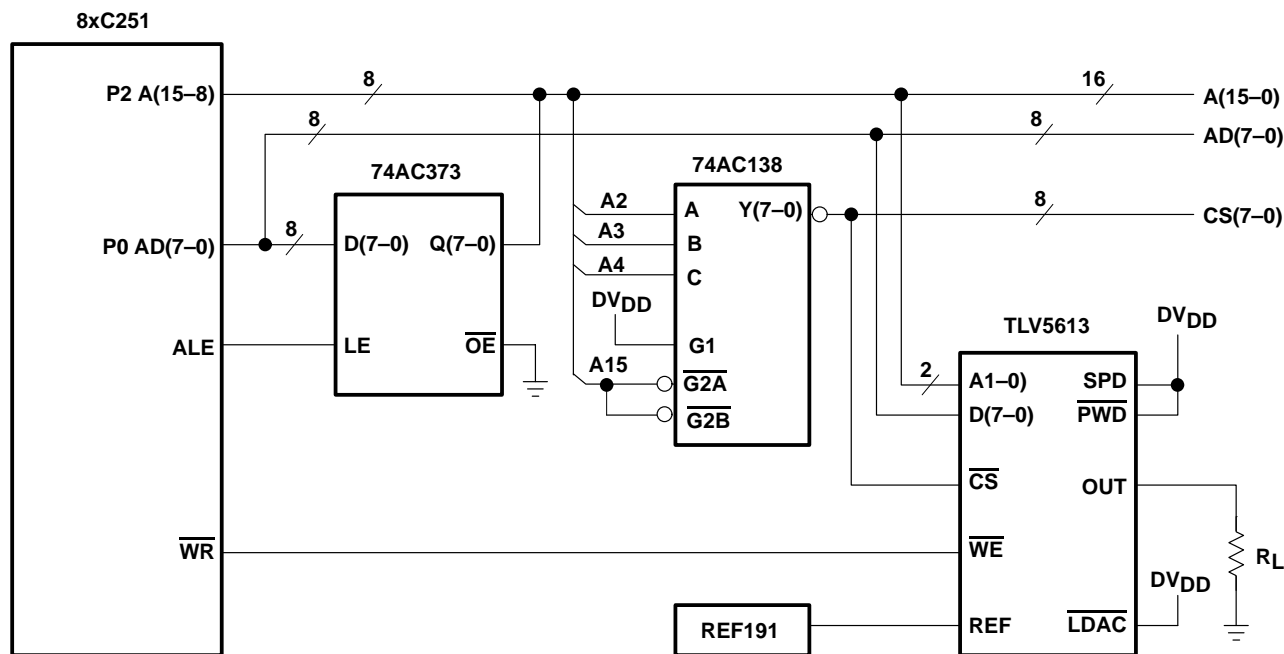


Figure 17. TLV5613 Interfaced to an Intel MCS[®]251 Controller

MCS is a registered trademark of Intel Corporation.



POST OFFICE BOX 655303 • DALLAS, TEXAS 75265

TLV5613

2.7 V TO 5.5 V 12-BIT PARALLEL DIGITAL-TO-ANALOG CONVERTER WITH POWER DOWN

SLAS174B – DECEMBER 1997 – REVISED NOVEMBER 2000

APPLICATION INFORMATION

software

In the following example, the code generates a waveform at 500 KSPS with 500 samples stored in a table within the program memory space of the microcontroller. The period of the waveform is 1 ms.

The waveform data is located in the program memory space from address 01000h to address 013E8h ($2 \times 500 = 1000 = 03E8h$) beginning with the MSW of the first 16-bit word (the 4 MSBs are ignored), followed by the LSW. Two bytes are required for each DAC word (the table is not shown in the code example).

The program consists of two parts:

- A main routine, which is executed after reset and which initializes the timer and the interrupt system of the microcontroller.
- An interrupt service routine, which reads a new value from the waveform table and writes it to the DAC.

This example uses timer 0 in mode 3 (8-bit timer with auto reload). The clock of the timer is derived from the system clock and has a frequency of $f_{OSC}/12$. The timer overrun frequency f_{tim} is given by the following equation:

$$f_{tim} = \frac{f_{OSC}}{12(256-Reload)} \text{ and the reload value is given by } Reload = 256 - \frac{f_{OSC}}{12 f_{tim}}$$

To get a timer overrun frequency of 500 kHz at a system clock of 24 MHz, the reload value is:

$$Reload = 256 - \frac{24}{12 \times 0.5} = 256 - 4 = 252 = 0FCh$$

With this value, the timer generates an interrupt every 2 μ s. The corresponding service routine `T0_isr` reads a sample from program memory and writes it to the DAC. First, it disables the update of the DAC output by clearing the RLDAC bit in the control register. Then it reads the MSW and the LSW from the waveform table and stores it in the MSW and LSW register of the TLV5613. The write cycle is completed by setting the RLDAC bit, which updates the DAC output. At the end of the interrupt service routine, the pointer to the waveform samples is increased and is checked to determine if it has reached the end of the table. If the pointer has reached the end of the table, the pointer is set to the start address of the table.

2.7 V TO 5.5 V 12-BIT PARALLEL DIGITAL-TO-ANALOG CONVERTER
WITH POWER DOWN

SLAS174B – DECEMBER 1997 – REVISED NOVEMBER 2000

APPLICATION INFORMATION

```

;*****
;* Title   : Waveform generation with TLV5613          *
;* Version: 1.0                                        *
;* MCU     : Intel MCS@251, MCS@51                    *
;* © 1998 Texas Instruments Inc.                      *
;*****

TABLE_START EQU 01000h           ;start address of waveform data
TABLE_END_H EQU 013h             ;high byte - end address of waveform data
TABLE_END_L EQU 0E8h             ;low byte - end address of waveform data
RELOAD      EQU 0FCh             ;timer reload value

      ORG 00000h                 ;entry point
      JMP main                    ;jump to main program

      ORG 0000bh                 ;timer0 (T0) interrupt vector
      JMP T0_isr                 ;jump to T0 interrupt service routine

;-----
;main: setup timer and interrupt, loop forever
;-----

main:   CLR A
        MOV A, IE0                ;disable all interrupts
        CLR TCON.4                ;stop T0
        MOV A, #002h
        MOV TMOD, A                ;set T0 to auto reload mode
        MOV A, #RELOAD
        MOV TH0, A                ;set T0 reload value
        MOV TL0, A                ;set T0 start value
        MOV P2, #080h             ;set A15 of address bus to select DAC

        MOV DPTR, #TABLE_START    ;set data pointer to start of wave form data

        SETB IE0.1                ;enable T0 interrupt
        SETB IE0.7                ;enable interrupts
        SETB TCON.4                ;start T0

idle_loop: SJMP idle_loop         ;loop forever
    
```



TLV5613

2.7 V TO 5.5 V 12-BIT PARALLEL DIGITAL-TO-ANALOG CONVERTER WITH POWER DOWN

SLAS174B – DECEMBER 1997 – REVISED NOVEMBER 2000

APPLICATION INFORMATION

```
-----  
;T0_isr: will be called on every timer interrupt.  
;fetches a new 16-bit value from program memory space and writes it  
;to the DAC. If end of table is reached, sets DPTR to table start addr.  
-----  
T0_isr:      MOV R0, #003h          ;select DAC control register  
             MOV A, #001h          ;RLDAC=0, PWD=0, SPD=1  
                                     ;no DAC update, normal operation, fast mode  
             MOVX @R0, A           ;write Accu to DAC control register  
  
             MOV R0, #001h          ;select DAC MSW register  
             CLR A  
             MOVC A, @A+DPTR        ;get MSW from code memory  
             MOVX @R0, A           ;write Accu to DAC MSW register  
  
             INC DPTR              ;set DPTR to LSW data  
  
             MOV R0, #000h          ;select DAC LSW register  
             CLR A  
             MOVC A, @A+DPTR        ;get LSW from code memory  
             MOVX @R0, A           ;write Accu to DAC LSW register  
  
             MOV R0, #003h          ;select DAC control register (to update DAC)  
             MOV A, #005h          ;DAC update, normal operation, fast mode  
             MOVX @R0, A           ;write Accu to DAC control register  
  
             INC DPTR              ;set DPTR to next MSW  
                                     ;test end of table  
  
             MOV A, DPL  
             CJNE A, #TABLE_END_L, T0_isr_end  
             MOV A, DPH  
             CJNE A, #TABLE_END_H, T0_isr_end  
             MOV DPTR, #TABLE_START ;end of table reached -> start again  
T0_isr_end: RETI  
  
            END
```



APPLICATION INFORMATION**definitions of specifications and terminology****integral nonlinearity (INL)**

The relative accuracy or integral nonlinearity (INL), sometimes referred to as linearity error, is the maximum deviation of the output from the line between zero and full scale excluding the effects of zero code and full-scale errors.

differential nonlinearity (DNL)

The differential nonlinearity (DNL), sometimes referred to as differential error, is the difference between the measured and ideal 1 LSB amplitude change of any two adjacent codes. Monotonic means the output voltage changes in the same direction (or remains constant) as a change in the digital input code.

zero-scale error (E_{ZS})

Zero-scale error is defined as the deviation of the output from 0 V at a digital input value of 0.

gain error (E_G)

Gain error is the error in slope of the DAC transfer function.

signal-to-noise ratio + distortion (SINAD)

Signal-to-noise ratio + distortion is the ratio of the rms value of the output signal to the rms sum of all other spectral components below the Nyquist frequency, including harmonics but excluding dc. The value for SINAD is expressed in decibels.

spurious free dynamic range (SFDR)

Spurious free dynamic range is the difference between the rms value of the output signal and the rms value of the spurious signal within a specified bandwidth. The value for SFDR is expressed in decibels.

total harmonic distortion (THD)

Total harmonic distortion is the ratio of the rms sum of the first six harmonic components to the rms value of the fundamental signal and is expressed in decibels.

TLV5613
2.7 V TO 5.5 V 12-BIT PARALLEL DIGITAL-TO-ANALOG CONVERTER
WITH POWER DOWN

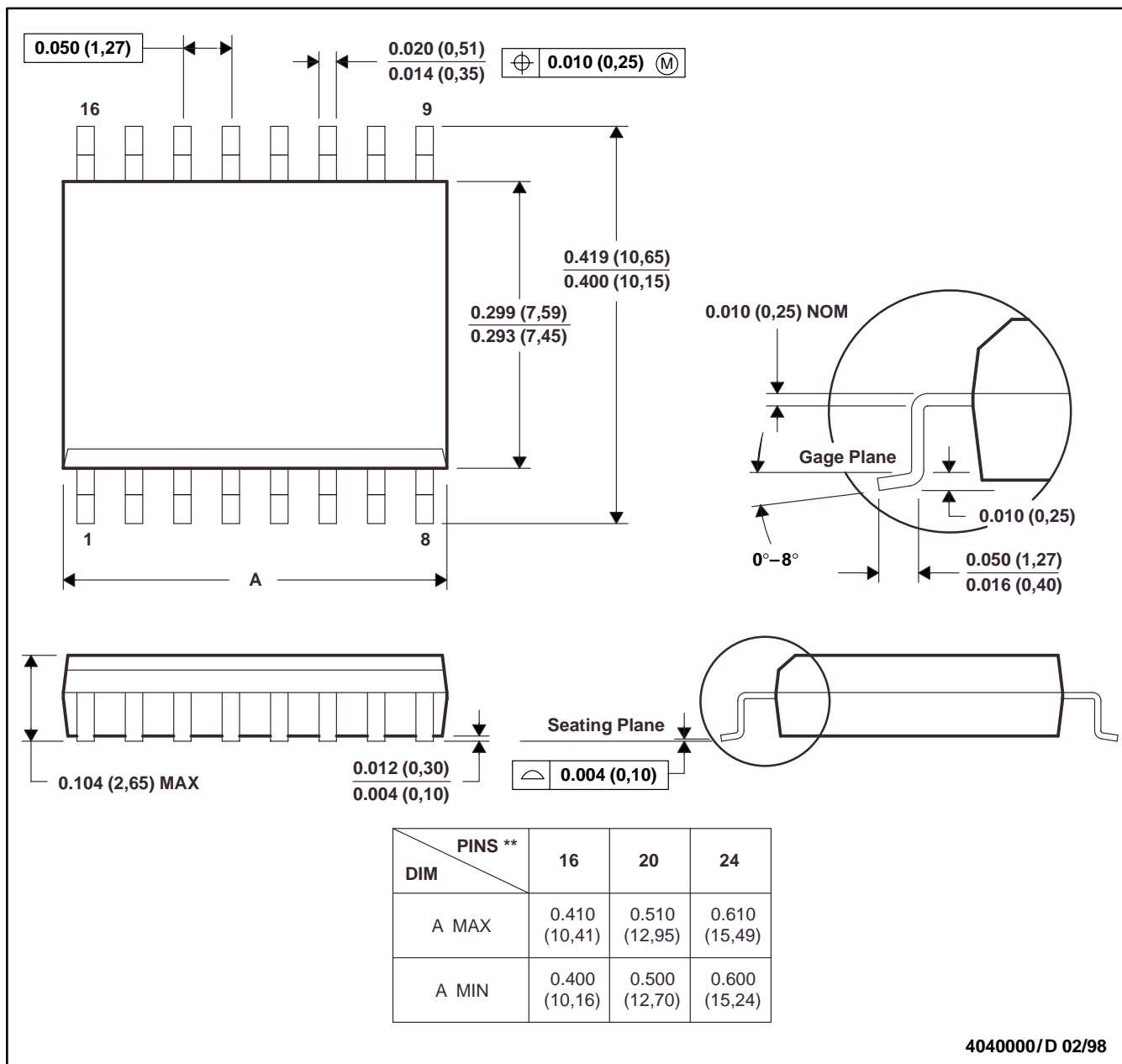
SLAS174B – DECEMBER 1997 – REVISED NOVEMBER 2000

MECHANICAL DATA

DW (R-PDSO-G)**

PLASTIC SMALL-OUTLINE PACKAGE

16 PIN SHOWN



- NOTES: A. All linear dimensions are in inches (millimeters).
 B. This drawing is subject to change without notice.
 C. Body dimensions do not include mold flash or protrusion not to exceed 0.006 (0,15).
 D. Falls within JEDEC MS-013



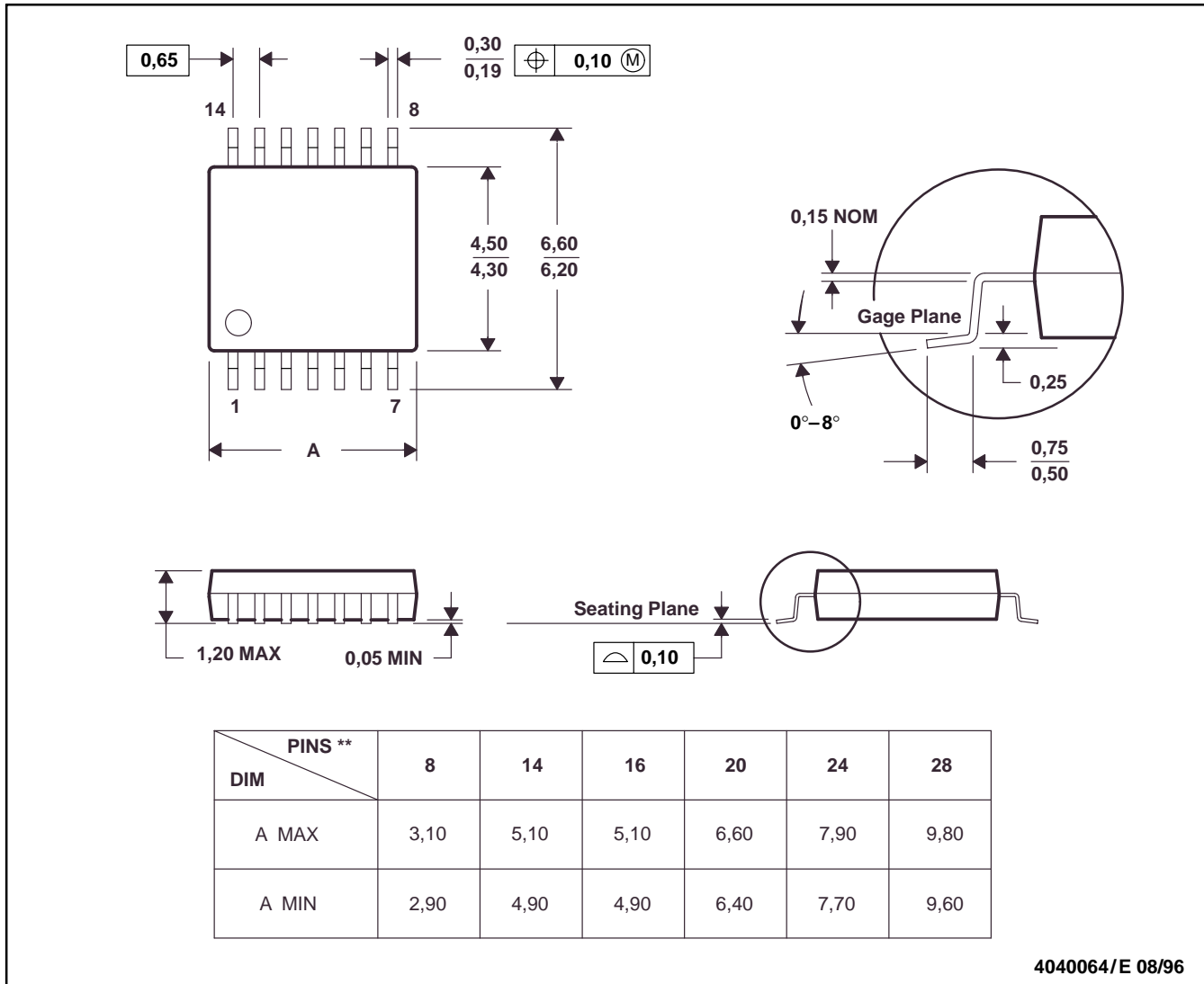
TLV5613
2.7 V TO 5.5 V 12-BIT PARALLEL DIGITAL-TO-ANALOG CONVERTER
WITH POWER DOWN

SLAS174B – DECEMBER 1997 – REVISED NOVEMBER 2000

PW (R-PDSO-G)**

PLASTIC SMALL-OUTLINE PACKAGE

14 PIN SHOWN



4040064/E 08/96

- NOTES: A. All linear dimensions are in millimeters.
 B. This drawing is subject to change without notice.
 C. Body dimensions do not include mold flash or protrusion not to exceed 0,15.
 D. Falls within JEDEC MO-153

PACKAGING INFORMATION

Orderable Device	Status ⁽¹⁾	Package Type	Package Drawing	Pins	Package Qty	Eco Plan ⁽²⁾	Lead/Ball Finish	MSL Peak Temp ⁽³⁾
TLV5613CDW	ACTIVE	SOIC	DW	20	25	Green (RoHS & no Sb/Br)	CU NIPDAU	Level-1-260C-UNLIM
TLV5613CDWG4	ACTIVE	SOIC	DW	20	25	Green (RoHS & no Sb/Br)	CU NIPDAU	Level-1-260C-UNLIM
TLV5613CDWR	ACTIVE	SOIC	DW	20	2000	Green (RoHS & no Sb/Br)	CU NIPDAU	Level-1-260C-UNLIM
TLV5613CDWRG4	ACTIVE	SOIC	DW	20	2000	Green (RoHS & no Sb/Br)	CU NIPDAU	Level-1-260C-UNLIM
TLV5613CPW	ACTIVE	TSSOP	PW	20	70	Green (RoHS & no Sb/Br)	CU NIPDAU	Level-1-260C-UNLIM
TLV5613CPWG4	ACTIVE	TSSOP	PW	20	70	Green (RoHS & no Sb/Br)	CU NIPDAU	Level-1-260C-UNLIM
TLV5613CPWR	ACTIVE	TSSOP	PW	20	2000	Green (RoHS & no Sb/Br)	CU NIPDAU	Level-1-260C-UNLIM
TLV5613CPWRG4	ACTIVE	TSSOP	PW	20	2000	Green (RoHS & no Sb/Br)	CU NIPDAU	Level-1-260C-UNLIM
TLV5613IDW	ACTIVE	SOIC	DW	20	25	Green (RoHS & no Sb/Br)	CU NIPDAU	Level-1-260C-UNLIM
TLV5613IDWG4	ACTIVE	SOIC	DW	20	25	Green (RoHS & no Sb/Br)	CU NIPDAU	Level-1-260C-UNLIM
TLV5613IDWR	ACTIVE	SOIC	DW	20	2000	Green (RoHS & no Sb/Br)	CU NIPDAU	Level-1-260C-UNLIM
TLV5613IDWRG4	ACTIVE	SOIC	DW	20	2000	Green (RoHS & no Sb/Br)	CU NIPDAU	Level-1-260C-UNLIM
TLV5613IPW	ACTIVE	TSSOP	PW	20	70	Green (RoHS & no Sb/Br)	CU NIPDAU	Level-1-260C-UNLIM
TLV5613IPWG4	ACTIVE	TSSOP	PW	20	70	Green (RoHS & no Sb/Br)	CU NIPDAU	Level-1-260C-UNLIM
TLV5613IPWR	ACTIVE	TSSOP	PW	20	2000	Green (RoHS & no Sb/Br)	CU NIPDAU	Level-1-260C-UNLIM
TLV5613IPWRG4	ACTIVE	TSSOP	PW	20	2000	Green (RoHS & no Sb/Br)	CU NIPDAU	Level-1-260C-UNLIM

⁽¹⁾ The marketing status values are defined as follows:

ACTIVE: Product device recommended for new designs.

LIFEBUY: TI has announced that the device will be discontinued, and a lifetime-buy period is in effect.

NRND: Not recommended for new designs. Device is in production to support existing customers, but TI does not recommend using this part in a new design.

PREVIEW: Device has been announced but is not in production. Samples may or may not be available.

OBSELETE: TI has discontinued the production of the device.

⁽²⁾ Eco Plan - The planned eco-friendly classification: Pb-Free (RoHS), Pb-Free (RoHS Exempt), or Green (RoHS & no Sb/Br) - please check <http://www.ti.com/productcontent> for the latest availability information and additional product content details.

TBD: The Pb-Free/Green conversion plan has not been defined.

Pb-Free (RoHS): TI's terms "Lead-Free" or "Pb-Free" mean semiconductor products that are compatible with the current RoHS requirements for all 6 substances, including the requirement that lead not exceed 0.1% by weight in homogeneous materials. Where designed to be soldered at high temperatures, TI Pb-Free products are suitable for use in specified lead-free processes.

Pb-Free (RoHS Exempt): This component has a RoHS exemption for either 1) lead-based flip-chip solder bumps used between the die and package, or 2) lead-based die adhesive used between the die and leadframe. The component is otherwise considered Pb-Free (RoHS compatible) as defined above.

Green (RoHS & no Sb/Br): TI defines "Green" to mean Pb-Free (RoHS compatible), and free of Bromine (Br) and Antimony (Sb) based flame retardants (Br or Sb do not exceed 0.1% by weight in homogeneous material)

⁽³⁾ MSL, Peak Temp. -- The Moisture Sensitivity Level rating according to the JEDEC industry standard classifications, and peak solder temperature.

Important Information and Disclaimer:The information provided on this page represents TI's knowledge and belief as of the date that it is provided. TI bases its knowledge and belief on information provided by third parties, and makes no representation or warranty as to the accuracy of such information. Efforts are underway to better integrate information from third parties. TI has taken and continues to take reasonable steps to provide representative and accurate information but may not have conducted destructive testing or chemical analysis on incoming materials and chemicals. TI and TI suppliers consider certain information to be proprietary, and thus CAS numbers and other limited information may not be available for release.

In no event shall TI's liability arising out of such information exceed the total purchase price of the TI part(s) at issue in this document sold by TI to Customer on an annual basis.

TAPE AND REEL INFORMATION



QUADRANT ASSIGNMENTS FOR PIN 1 ORIENTATION IN TAPE



*All dimensions are nominal

Device	Package Type	Package Drawing	Pins	SPQ	Reel Diameter (mm)	Reel Width W1 (mm)	A0 (mm)	B0 (mm)	K0 (mm)	P1 (mm)	W (mm)	Pin1 Quadrant
TLV5613CDWR	SOIC	DW	20	2000	330.0	24.4	10.8	13.1	2.65	12.0	24.0	Q1
TLV5613CPWR	TSSOP	PW	20	2000	330.0	16.4	6.95	7.1	1.6	8.0	16.0	Q1
TLV5613IDWR	SOIC	DW	20	2000	330.0	24.4	10.8	13.1	2.65	12.0	24.0	Q1
TLV5613IPWR	TSSOP	PW	20	2000	330.0	16.4	6.95	7.1	1.6	8.0	16.0	Q1

TAPE AND REEL BOX DIMENSIONS



*All dimensions are nominal

Device	Package Type	Package Drawing	Pins	SPQ	Length (mm)	Width (mm)	Height (mm)
TLV5613CDWR	SOIC	DW	20	2000	346.0	346.0	41.0
TLV5613CPWR	TSSOP	PW	20	2000	346.0	346.0	33.0
TLV5613IDWR	SOIC	DW	20	2000	346.0	346.0	41.0
TLV5613IPWR	TSSOP	PW	20	2000	346.0	346.0	33.0

IMPORTANT NOTICE

Texas Instruments Incorporated and its subsidiaries (TI) reserve the right to make corrections, modifications, enhancements, improvements, and other changes to its products and services at any time and to discontinue any product or service without notice. Customers should obtain the latest relevant information before placing orders and should verify that such information is current and complete. All products are sold subject to TI's terms and conditions of sale supplied at the time of order acknowledgment.

TI warrants performance of its hardware products to the specifications applicable at the time of sale in accordance with TI's standard warranty. Testing and other quality control techniques are used to the extent TI deems necessary to support this warranty. Except where mandated by government requirements, testing of all parameters of each product is not necessarily performed.

TI assumes no liability for applications assistance or customer product design. Customers are responsible for their products and applications using TI components. To minimize the risks associated with customer products and applications, customers should provide adequate design and operating safeguards.

TI does not warrant or represent that any license, either express or implied, is granted under any TI patent right, copyright, mask work right, or other TI intellectual property right relating to any combination, machine, or process in which TI products or services are used. Information published by TI regarding third-party products or services does not constitute a license from TI to use such products or services or a warranty or endorsement thereof. Use of such information may require a license from a third party under the patents or other intellectual property of the third party, or a license from TI under the patents or other intellectual property of TI.

Reproduction of TI information in TI data books or data sheets is permissible only if reproduction is without alteration and is accompanied by all associated warranties, conditions, limitations, and notices. Reproduction of this information with alteration is an unfair and deceptive business practice. TI is not responsible or liable for such altered documentation. Information of third parties may be subject to additional restrictions.

Resale of TI products or services with statements different from or beyond the parameters stated by TI for that product or service voids all express and any implied warranties for the associated TI product or service and is an unfair and deceptive business practice. TI is not responsible or liable for any such statements.

TI products are not authorized for use in safety-critical applications (such as life support) where a failure of the TI product would reasonably be expected to cause severe personal injury or death, unless officers of the parties have executed an agreement specifically governing such use. Buyers represent that they have all necessary expertise in the safety and regulatory ramifications of their applications, and acknowledge and agree that they are solely responsible for all legal, regulatory and safety-related requirements concerning their products and any use of TI products in such safety-critical applications, notwithstanding any applications-related information or support that may be provided by TI. Further, Buyers must fully indemnify TI and its representatives against any damages arising out of the use of TI products in such safety-critical applications.

TI products are neither designed nor intended for use in military/aerospace applications or environments unless the TI products are specifically designated by TI as military-grade or "enhanced plastic." Only products designated by TI as military-grade meet military specifications. Buyers acknowledge and agree that any such use of TI products which TI has not designated as military-grade is solely at the Buyer's risk, and that they are solely responsible for compliance with all legal and regulatory requirements in connection with such use.

TI products are neither designed nor intended for use in automotive applications or environments unless the specific TI products are designated by TI as compliant with ISO/TS 16949 requirements. Buyers acknowledge and agree that, if they use any non-designated products in automotive applications, TI will not be responsible for any failure to meet such requirements.

Following are URLs where you can obtain information on other Texas Instruments products and application solutions:

Products

Amplifiers	amplifier.ti.com
Data Converters	dataconverter.ti.com
DSP	dsp.ti.com
Clocks and Timers	www.ti.com/clocks
Interface	interface.ti.com
Logic	logic.ti.com
Power Mgmt	power.ti.com
Microcontrollers	microcontroller.ti.com
RFID	www.ti-rfid.com
RF/IF and ZigBee® Solutions	www.ti.com/lprf

Applications

Audio	www.ti.com/audio
Automotive	www.ti.com/automotive
Broadband	www.ti.com/broadband
Digital Control	www.ti.com/digitalcontrol
Medical	www.ti.com/medical
Military	www.ti.com/military
Optical Networking	www.ti.com/opticalnetwork
Security	www.ti.com/security
Telephony	www.ti.com/telephony
Video & Imaging	www.ti.com/video
Wireless	www.ti.com/wireless

Mailing Address: Texas Instruments, Post Office Box 655303, Dallas, Texas 75265
Copyright © 2008, Texas Instruments Incorporated