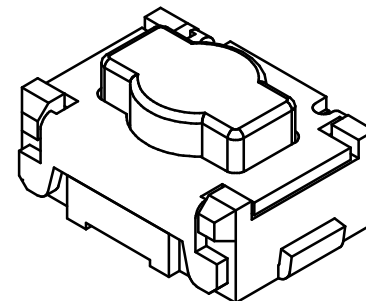
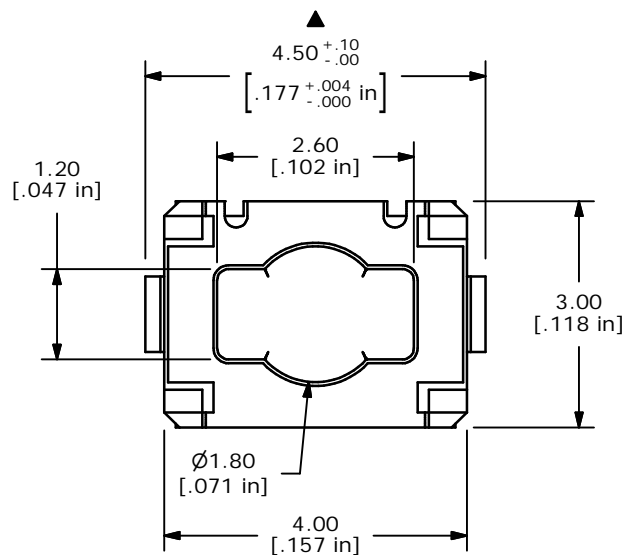


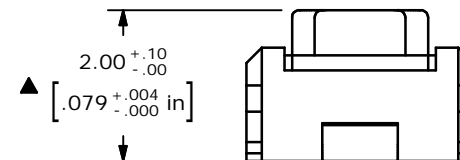
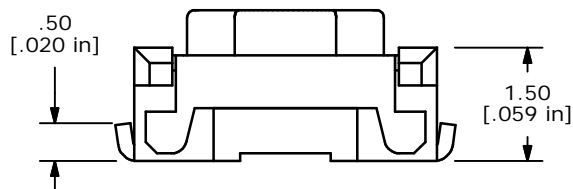
PCB LAYOUT



ISOMETRIC

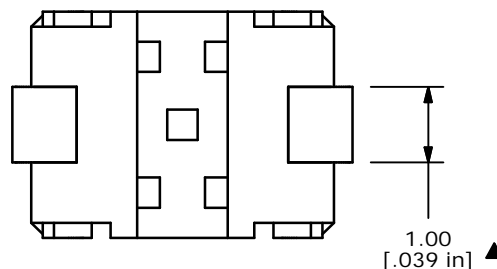


CIRCUIT: SPST



NOTES:

1. ALL DIMENSIONS IN MM
2. GENERAL TOLERANCE: X.X=±0.4
X.XX=±0.25
3. TERM. NOS. FOR REFERENCE ONLY.
4. RATING: 12VDC, 50mA
- ▲5. OPERATING FORCE: 160 ± 50 gms
6. TRAVEL: 0.2mm ±0.1
7. CONTACT RESISTANCE: 100 MILLI OHMS MAX. (INITIAL)
8. MECHANICAL/ELECTRICAL LIFE 50,000 CYCLES MIN.
9. PACKAGE: TAPE AND REEL - 2500 PIECES PER REEL
10. ▲DENOTES CRITICAL PARAMETER



E-SWITCH®

TITLE TL1015AF160QG

A	14788	RELEASED FOR PRODUCTION	3/24/05	AR
REV	PCR NO	DESCRIPTION	DATE	BY

THE INFORMATION CONTAINED IN THIS DOCUMENT IS PROPRIETARY TO E-SWITCH AND IS NOT TO BE COPIED OR TRANSFERRED

SCALE	DATE	DR	DWG	REV
14:1	3/24/05	AR	D400101	A