



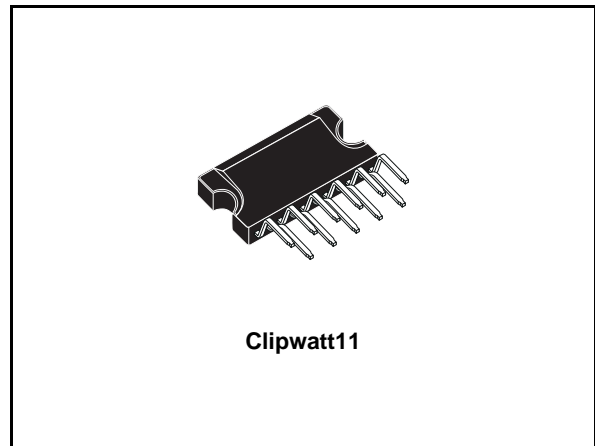
TDA7253

8W AMPLIFIER WITH MUTING

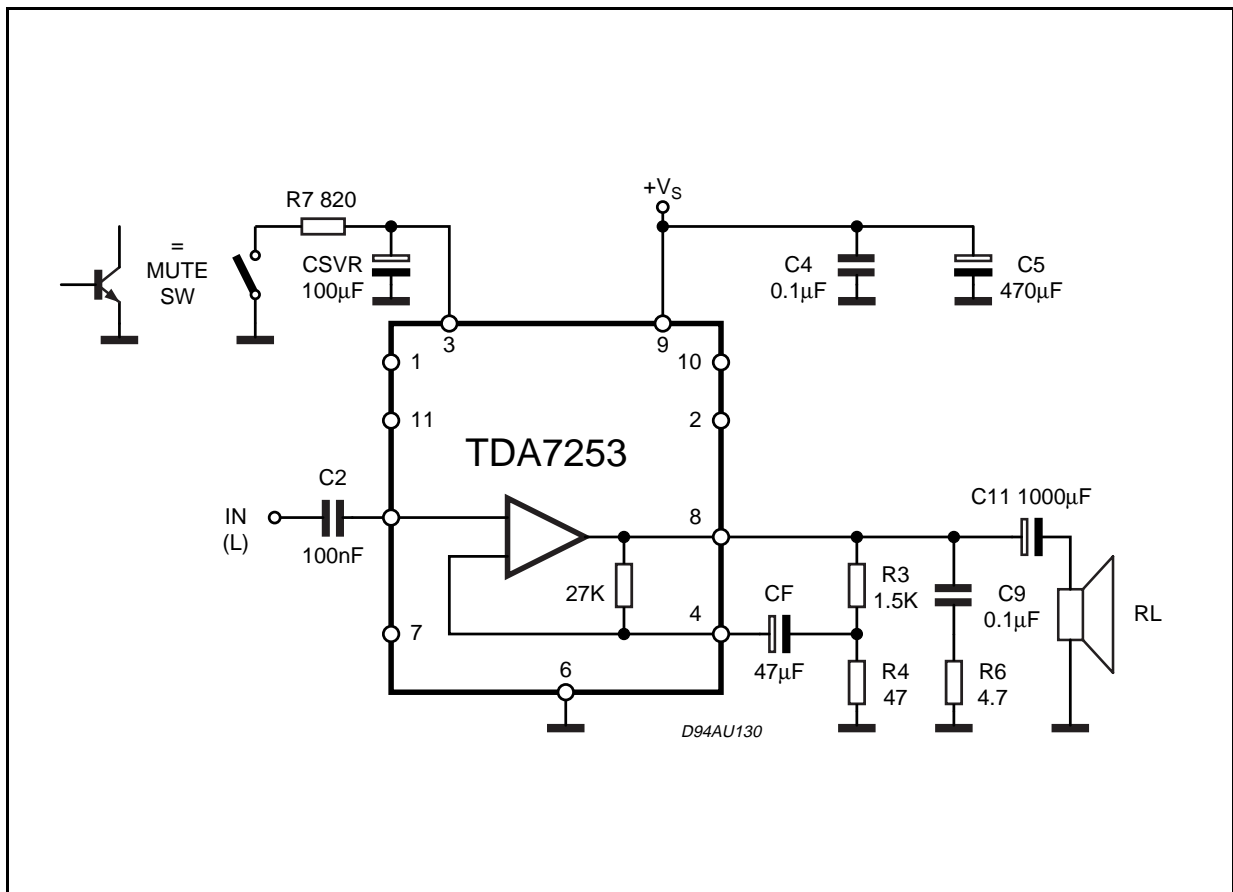
- WIDE SUPPLY VOLTAGE RANGE
- 8W @ $V_S=26V$, $R_L = 8\Omega$, THD=10%
- MUTE FACILITY (POP FREE) WITH LOW CONSUMPTION
- AC SHORT CIRCUIT PROTECTION
- THERMAL OVERLOAD PROTECTION (150°C)

DESCRIPTION

The TDA7253 is class AB audio power amplifier assembled in the new Clipwatt package.



APPLICATION CIRCUIT



ABSOLUTE MAXIMUM RATINGS

Symbol	Parameter	Value	Unit
V_S	Supply Voltage	35	V
I_o	Output Peak Current (repetitive $f > 20\text{Hz}$)	2.5	A
I_o	Output Peak Current (non repetitive, $t = 100\mu\text{s}$)	3.5	A
P_{tot}	Total Power Dissipation ($T_{case} = 70^\circ\text{C}$)	25	W
T_{op}	Operating Temperature Range	0 to 70	$^\circ\text{C}$
$T_{stg,Tj}$	Storage & Junction Temperature	-40 to 150	$^\circ\text{C}$

PIN CONNECTION (Top view)

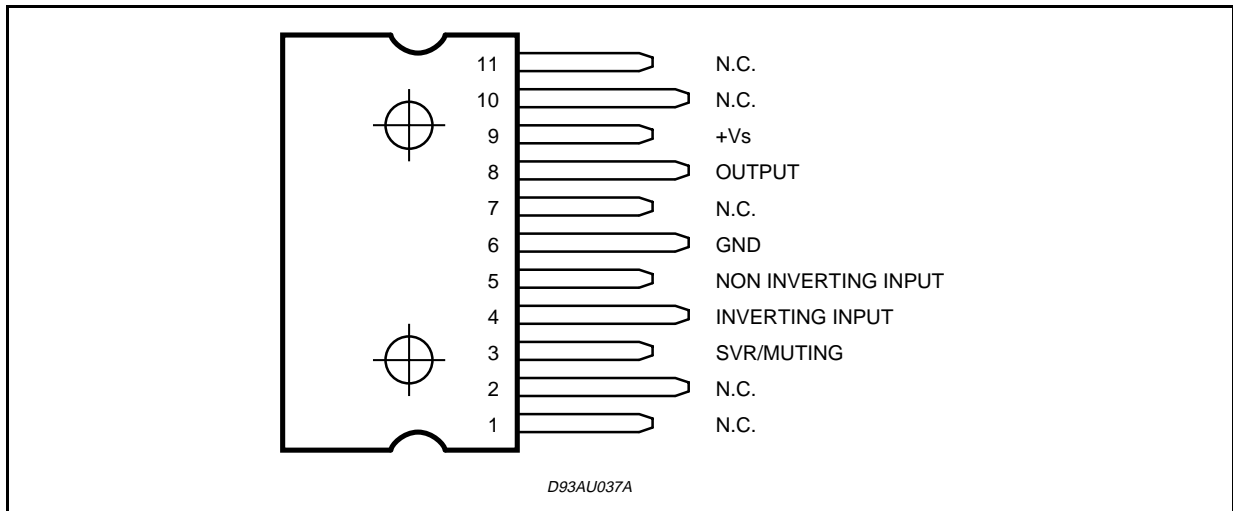
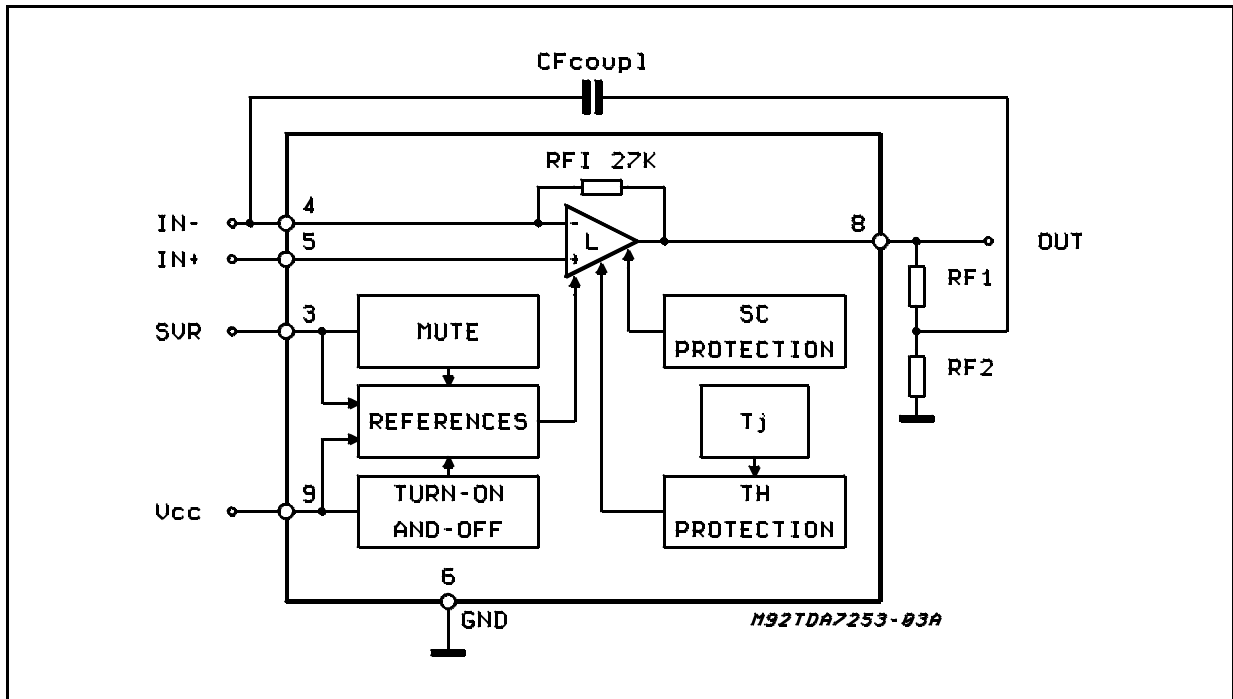


Figure 1: Application Circuit



THERMAL DATA

Symbol	Parameter	Value	Unit
R _{th j-case}	Thermal resistance junction to case	Max 3	°C/W

ELECTRICAL CHARACTERISTICS (Refer to the test and application circuit, V_S = 26V; R_L = 8Ω; G_v = 30dB; f = 1KHz; T_{amb} = 25°C unless otherwise specified.)

Symbol	Parameter	Test Condition	Min.	Typ.	Max.	Unit
V _S	Supply Voltage		10		32	V
V _O	Quiescent Output Voltage			12.5		V
I _q	Total Quiescent Current			40		mA
P _O	Output Power	d = 10% d = 1%	8	10 8		W W
d	Total Harmonic Distortion	P _O = 1W		0.03		%
R _I	Input Resistance		100	200		KΩ
f _L	Low Frequency Roll-off (-3dB)			40		Hz
f _H	High Frequency Roll-off (-3dB)			80		KHz
e _N	Total Input Noise Voltage	A Curve; R _S = 10KΩ f = 22Hz to 22KHz; R _S = 10KΩ		2 2.5	10	mV μV
SVR	Supply Voltage Rejection	R _S = 10KΩ; f = 100Hz; V _r = 0.5V		60		dB
V _{T MUTE}	Mute Threshold			0.8		V
V _{T PLAY}	Play Threshold		5			V
A _M	Mute Attenuation		80	100		dB
I _{q MUTE}	Quiescent Current Mute			7	10	mA

Note: to avoid pop-on noise $\frac{C_F}{C_{SVR}} \leq 1$

Figure 1: Output Power vs. Supply Voltage

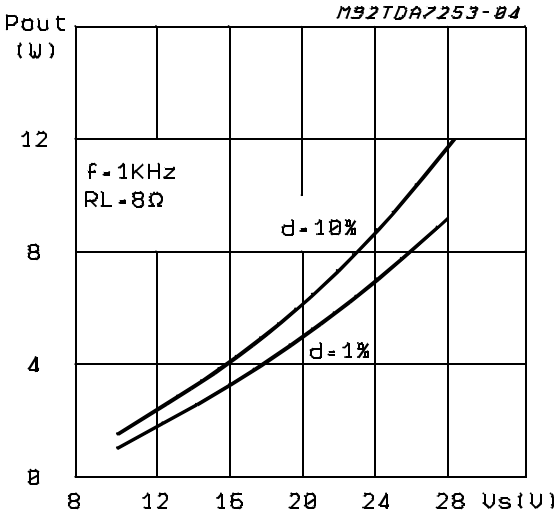
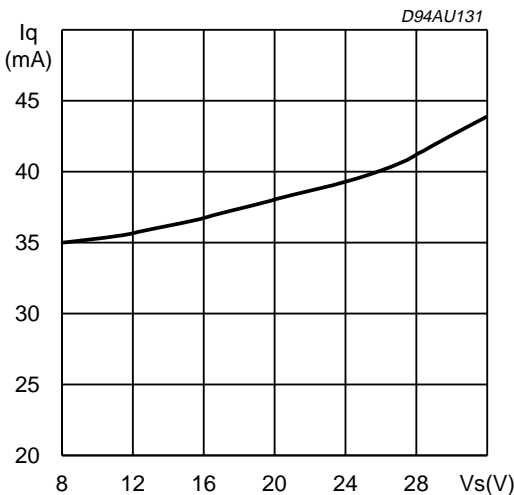


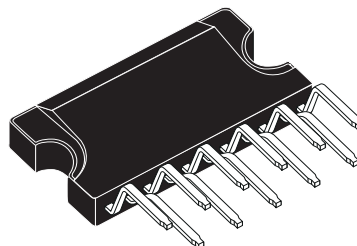
Figure 2: Quiescent Current vs. Supply Voltage



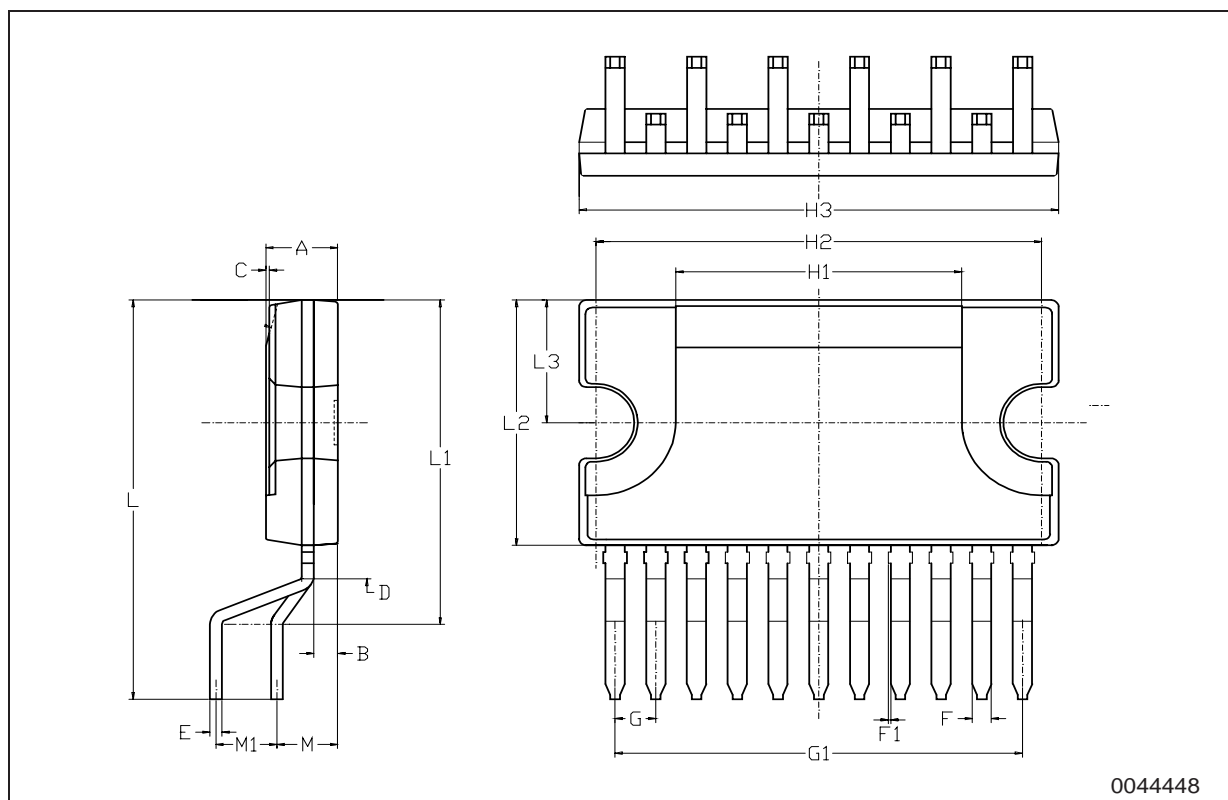
DIM.	mm			inch		
	MIN.	TYP.	MAX.	MIN.	TYP.	MAX.
A			3.2			0.126
B			1.05			0.041
C		0.15			0.006	
D		1.5			0.059	
E	0.49		0.55	0.019		0.002
F	0.77	0.8	0.88	0.030	0.031	0.035
F1			0.15			0.006
G	1.57	1.7	1.83	0.062	0.067	0.072
G1	16.87	17	17.13	0.664	0.669	0.674
H1		12			0.480	
H2		18.6			0.732	
H3	19.85			0.781		
L		17.9			0.700	
L1		14.55			0.580	
L2	10.7	11	11.2	0.421	0.433	0.441
L3		5.5			0.217	
M		2.54			0.100	
M1		2.54			0.100	

OUTLINE AND MECHANICAL DATA

Weight: 1.80gr



Clipwatt1



0044448

Information furnished is believed to be accurate and reliable. However, STMicroelectronics assumes no responsibility for the consequences of use of such information nor for any infringement of patents or other rights of third parties which may result from its use. No license is granted by implication or otherwise under any patent or patent rights of STMicroelectronics. Specifications mentioned in this publication are subject to change without notice. This publication supersedes and replaces all information previously supplied. STMicroelectronics products are not authorized for use as critical components in life support devices or systems without express written approval of STMicroelectronics.

The ST logo is a registered trademark of STMicroelectronics.
All other names are the property of their respective owners

© 2003 STMicroelectronics - All rights reserved

STMicroelectronics GROUP OF COMPANIES

Australia – Belgium - Brazil - Canada - China – Czech Republic - Finland - France - Germany - Hong Kong - India - Israel - Italy - Japan -
Malaysia - Malta - Morocco - Singapore - Spain - Sweden - Switzerland - United Kingdom - United States

www.st.com

