

Circuit Breaker for Equipment thermal, Snap-in type, Reset type, Quick connect terminals



### Description

- Snap-in version
- Thermal circuit breaker
- 1-pole
- Reset type
- Quick connect terminals 6.3 x 0.8 mm

### Unique Selling Proposition

- Compact design
- Positively trip-free release
- Available with cover
- Different mounting possibilities

### Standards

- IEC 60934
- UL 1077
- CSA C22.2 No. 235
- GB 17701

### Applications

- Power tools
- Household Equipment
- Power supplies and chargers
- Industrial appliances

### Weblinks

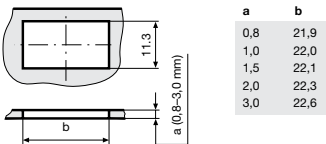
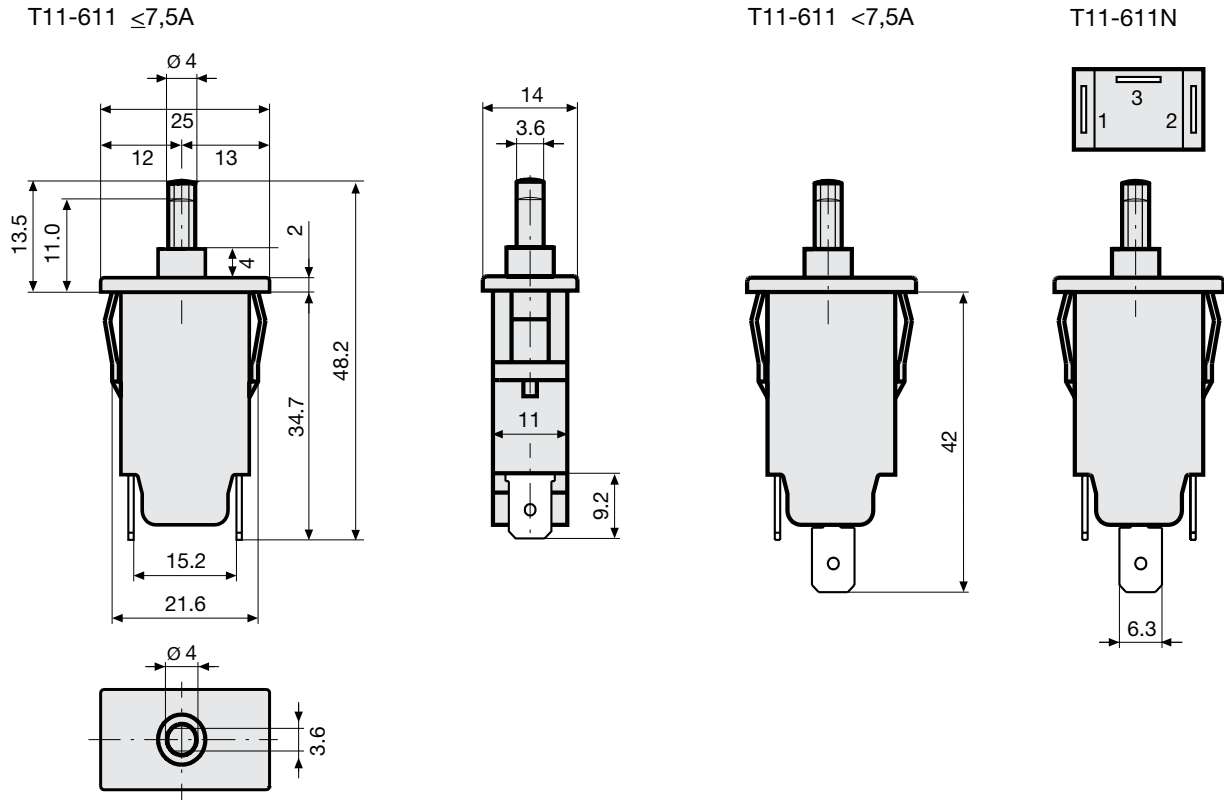
[pdf-datasheet](#), [html-datasheet](#), [General Product Information](#), [Approvals](#), [CE declaration of conformity](#), [RoHS](#), [CHINA-RoHS](#), [REACH](#), [Distributor-Stock-Check](#), [Detailed request for product](#), [Product News](#)

### Technical Data

|                                    |  |
|------------------------------------|--|
| Rated Voltage AC                   | 240 V; 50/60 Hz  |
| Rated Voltage DC                   | 48 V   |
| Rated current range AC             | 0.05 - 16 A  |
| Conditional short circuit capacity | IEC: Inc, PC1, AC 240 V: 2 kA  |
| Short circuit capacity Icn         | at $I_n < 6.5 \text{ A}/240 \text{ VAC}$ : 8 x $I_n$<br>at $I_n \geq 6.5 \text{ A}/240 \text{ VAC}$ : 96 A   |
| Degree of Protection               | from front side IP 40 acc. to IEC 60529  |
| Dielectric Strength                | 50Hz: > 1.5 kV<br>Impulse 1.2/50 $\mu\text{s}$ : > 2.5 kV  |
| Insulation resistance              | 500VDC > 100 M $\Omega$  |
| Endurance typical                  | 2 x $I_r$ : 500 switching cycles   |
| Endurance minimum                  | Reset type<br>AC : 2 x $I_r$ , $\cos \phi$ 0.6 :<br>DC : 2 x $I_r$ , L/R = 2 - 3 ms :<br>50 switching cycles |

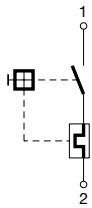
|                      |  |
|----------------------|--|
| Overload             | IEC: min. 40 trips<br>@ 6 x $I_r$ , $\cos \phi$ 0.6<br>UL / CSA: min. 50 trips<br>@ 1.5 x $I_r$ , $\cos \phi$ 0.75         |
| Ambient temperature  | -5 °C to 60 °C   |
| Vibration Resistance | $\pm 1.5 \text{ mm}$ @ 10 - 60 Hz<br>acc. to IEC 60068-2-6, test Fc<br>5 G @ 60 - 500 Hz<br>acc. to IEC 60068-2-6, test Fc |
| Shock Resistance     | 100 G / 6ms<br>acc. to IEC 60068-2-27, test Ea   |
| Tripping Type        | Thermal  |
| Actuation type       | Reset type   |
| Weight               | ca. 10g  |

## Dimension

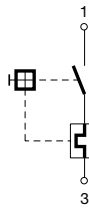


## Diagrams

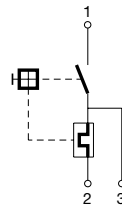
Rated current  $\leq 7,5 \text{ A}$



Rated current  $> 7,5 \text{ A}$



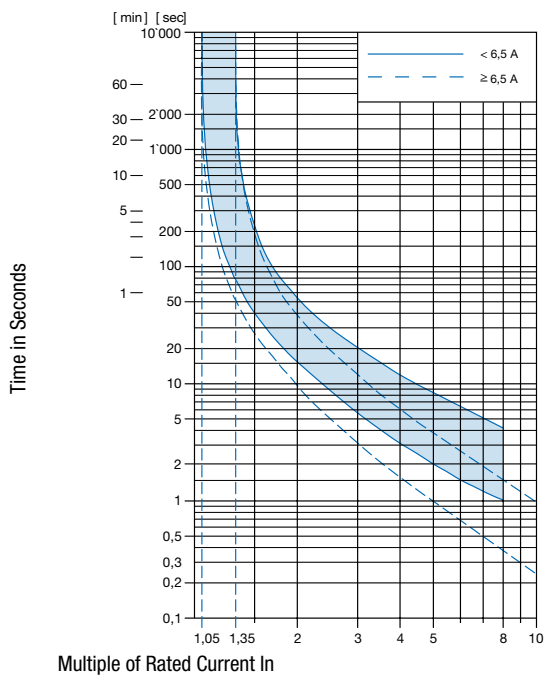
Shunt terminal T11-...N  $\leq 6,5 \text{ A}$



**Typical internal resistance**

| Rated Current [A] | Internal Resistance [ $\Omega$ ] |
|-------------------|----------------------------------|
| 0.05              | 380.000                          |
| 0.50              | 5.200                            |
| 1.00              | 1.350                            |
| 2.00              | 0.300                            |
| 3.00              | 0.130                            |
| 4.00              | 0.080                            |
| 5.00              | 0.040                            |
| 6.00              | 0.040                            |
| 7.00              | 0.020                            |
| 8.00              | 0.012                            |
| 9.00              | 0.012                            |
| 10.00             | 0.011                            |
| 11.00             | 0.0095                           |
| 12.00             | 0.0095                           |
| 13.00             | 0.0085                           |
| 14.00             | 0.0085                           |
| 15.00             | 0.0075                           |
| 16.00             | 0.0075                           |

**Time-Current-Curves**



Reference Temperature  $+23^\circ$

## Effect of ambient temperature

The units are calibrated for an ambient temperature of +23°C. To determine the rated current for a lower or higher ambient temperature, use a correction factor (typical value) from the table below:

| Ambient temperature [°C] | Correction factor |
|--------------------------|-------------------|
| -5                       | 0.87              |
| 0                        | 0.90              |
| +10                      | 0.95              |
| +23                      | 1.00              |
| +30                      | 1.04              |
| +40                      | 1.10              |
| +50                      | 1.15              |
| +60                      | 1.20              |

Example: Rated current = 5 A; Environmental temperature = 40 °C; --> Correction factor = 1.1; Resulting current = 5.5 A --> Fount to next higher rated current: 6 A

## Config. Code

T11 - 1 2 3 A B - 1.23

The characters are placeholders for the correspondingly keys of selections from the key tables.

### T11 - 1 2 3 A B - 1.23 = Mounting

| Mounting                         | Configuration key |
|----------------------------------|-------------------|
| Snap-in mounting from front side | 6                 |

### T11 - 1 2 3 A B - 1.23 = Actuation type

| Actuation type | Configuration key |
|----------------|-------------------|
| Reset type     | 1                 |

### T11 - 1 2 3 A B - 1.23 = Terminal

| Terminal                         | Configuration key |
|----------------------------------|-------------------|
| Quick connect terminal 6.3x0.8mm | 1                 |

### T11 - 1 2 3 A B - 1.23 = Shunt terminal

| Shunt terminal | Configuration key |
|----------------|-------------------|
| Shunt terminal | N                 |

### T11 - 1 2 3 A B - 1.23 = Setting indication

| Setting indication | Configuration key |
|--------------------|-------------------|
| Setting indication | R                 |

### T11 - 1 2 3 A B - 1.23 = Rated current

| Rated current | Configuration key |
|---------------|-------------------|
| 0.05 A        | 0.05              |
| 0.1 A         | 0.1               |
| 0.15 A        | 0.15              |
| 0.2 A         | 0.2               |

Other rated currents on request

| Rated current | Configuration key |
|---------------|-------------------|
| 0.3 A         | 0.3               |
| 0.4 A         | 0.4               |
| 0.5 A         | 0.5               |
| 0.6 A         | 0.6               |
| 0.7 A         | 0.7               |
| 0.8 A         | 0.8               |
| 0.9 A         | 0.9               |
| 1.0           | 1                 |
| 1.1 A         | 1.1               |
| 1.2 A         | 1.2               |
| 1.3 A         | 1.3               |
| 1.4 A         | 1.4               |
| 1.5 A         | 1.5               |
| 1.6 A         | 1.6               |
| 1.7 A         | 1.7               |
| 1.8 A         | 1.8               |
| 1.9 A         | 1.9               |
| 2.0 A         | 2                 |
| 2.1 A         | 2.1               |
| 2.3 A         | 2.3               |
| 2.5 A         | 2.5               |
| 2.8 A         | 2.8               |
| 3.0 A         | 3                 |
| 3.3 A         | 3.3               |
| 3.5 A         | 3.5               |
| 4.0 A         | 4                 |
| 4.5 A         | 4.5               |
| 5.0 A         | 5                 |
| 5.5 A         | 5.5               |
| 6.0           | 6                 |
| 6.5 A         | 6.5               |
| 7.0 A         | 7                 |
| 7.5 A         | 7.5               |
| 8.0 A         | 8                 |
| 8.5 A         | 8.5               |

Other rated currents on request

| Rated current | Configuration key | Rated current                   | Configuration key |
|---------------|-------------------|---------------------------------|-------------------|
| 9.0 A         | 9                 | 13.0 A                          | 13                |
| 9.5 A         | 9.5               | 14.0 A                          | 14                |
| 10.0 A        | 10                | 15.0 A                          | 15                |
| 11.0 A        | 11                | 16.0 A                          | 16                |
| 12.0 A        | 12                | Other rated currents on request |                   |

Other rated currents on request

### Variants

| Rated current | Construction variants |                    | Config. Code | Order Number |
|---------------|-----------------------|--------------------|--------------|--------------|
|               | Shunt terminal        | Setting indication |              |              |
| 2.0 A         |                       |                    | T11-611-2    | 4400.0002    |
| 10.0 A        |                       |                    | T11-611-10   | 4400.0030    |
| 16.0 A        |                       |                    | T11-611-16   | 4400.0034    |
| 3.5 A         |                       |                    | T11-611-3.5  | 4400.0200    |
| 15.0 A        | ●                     | ●                  | T11-611NR-15 | 4400.0791    |

Most Popular.

Availability for all products can be searched real-time: <http://www.schurter.com/Stock-Check/Stock-Check-SCHURTER>

**Packaging Unit** 100 Pcs

### Accessories

#### Description



T-Linie Zubehör  
Accessories to T-Line