

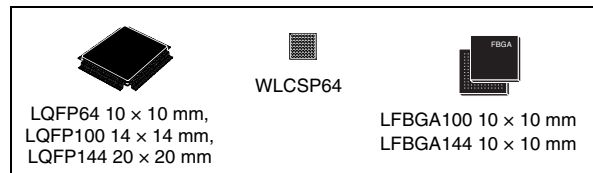


STM32F103xC STM32F103xD STM32F103xE

High-density performance line ARM-based 32-bit MCU with 256 to 512KB Flash, USB, CAN, 11 timers, 3 ADCs, 13 communication interfaces

Features

- Core: ARM 32-bit Cortex™-M3 CPU
 - 72 MHz maximum frequency, 1.25 DMIPS/MHz (Dhrystone 2.1) performance at 0 wait state memory access
 - Single-cycle multiplication and hardware division
- Memories
 - 256 to 512 Kbytes of Flash memory
 - up to 64 Kbytes of SRAM
 - Flexible static memory controller with 4 Chip Select. Supports Compact Flash, SRAM, PSRAM, NOR and NAND memories
 - LCD parallel interface, 8080/6800 modes
- Clock, reset and supply management
 - 2.0 to 3.6 V application supply and I/Os
 - POR, PDR, and programmable voltage detector (PVD)
 - 4-to-16 MHz crystal oscillator
 - Internal 8 MHz factory-trimmed RC
 - Internal 40 kHz RC with calibration
 - 32 kHz oscillator for RTC with calibration
- Low power
 - Sleep, Stop and Standby modes
 - V_{BAT} supply for RTC and backup registers
- 3 × 12-bit, 1 μs A/D converters (up to 21 channels)
 - Conversion range: 0 to 3.6 V
 - Triple-sample and hold capability
 - Temperature sensor
- 2 × 12-bit D/A converters
- DMA: 12-channel DMA controller
 - Supported peripherals: timers, ADCs, DAC, SDIO, I²Ss, SPIs, I²Cs and USARTs
- Debug mode
 - Serial wire debug (SWD) & JTAG interfaces
 - Cortex-M3 Embedded Trace Macrocell™



- Up to 112 fast I/O ports
 - 51/80/112 I/Os, all mappable on 16 external interrupt vectors and almost all 5 V-tolerant
- Up to 11 timers
 - Up to four 16-bit timers, each with up to 4 IC/OC/PWM or pulse counter and quadrature (incremental) encoder input
 - 2 × 16-bit motor control PWM timers with dead-time generation and emergency stop
 - 2 × watchdog timers (Independent and Window)
 - SysTick timer: a 24-bit downcounter
 - 2 × 16-bit basic timers to drive the DAC
- Up to 13 communication interfaces
 - Up to 2 × I²C interfaces (SMBus/PMBus)
 - Up to 5 USARTs (ISO 7816 interface, LIN, IrDA capability, modem control)
 - Up to 3 SPIs (18 Mbit/s), 2 with I²S interface multiplexed
 - CAN interface (2.0B Active)
 - USB 2.0 full speed interface
 - SDIO interface
- CRC calculation unit, 96-bit unique ID
- ECOPACK® packages

Table 1. Device summary

Reference	Part number
STM32F103xC	STM32F103RC STM32F103VC STM32F103ZC
STM32F103xD	STM32F103RD STM32F103VD STM32F103ZD
STM32F103xE	STM32F103RE STM32F103ZE STM32F103VE

Contents

- 1 Introduction 9**
- 2 Description 10**
 - 2.1 Device overview 11
 - 2.2 Full compatibility throughout the family 14
 - 2.3 Overview 15
 - 2.3.1 ARM® Cortex™-M3 core with embedded Flash and SRAM 15
 - 2.3.2 Embedded Flash memory 15
 - 2.3.3 CRC (cyclic redundancy check) calculation unit 15
 - 2.3.4 Embedded SRAM 15
 - 2.3.5 FSMC (flexible static memory controller) 15
 - 2.3.6 LCD parallel interface 16
 - 2.3.7 Nested vectored interrupt controller (NVIC) 16
 - 2.3.8 External interrupt/event controller (EXTI) 16
 - 2.3.9 Clocks and startup 16
 - 2.3.10 Boot modes 17
 - 2.3.11 Power supply schemes 17
 - 2.3.12 Power supply supervisor 17
 - 2.3.13 Voltage regulator 17
 - 2.3.14 Low-power modes 18
 - 2.3.15 DMA 18
 - 2.3.16 RTC (real-time clock) and backup registers 18
 - 2.3.17 Timers and watchdogs 19
 - 2.3.18 I²C bus 20
 - 2.3.19 Universal synchronous/asynchronous receiver transmitters (USARTs) 21
 - 2.3.20 Serial peripheral interface (SPI) 21
 - 2.3.21 Inter-integrated sound (I²S) 21
 - 2.3.22 SDIO 21
 - 2.3.23 Controller area network (CAN) 21
 - 2.3.24 Universal serial bus (USB) 22
 - 2.3.25 GPIOs (general-purpose inputs/outputs) 22
 - 2.3.26 ADC (analog to digital converter) 22
 - 2.3.27 DAC (digital-to-analog converter) 22
 - 2.3.28 Temperature sensor 23

2.3.29	Serial wire JTAG debug port (SWJ-DP)	23
2.3.30	Embedded Trace Macrocell™	23
3	Pinouts and pin descriptions	24
4	Memory mapping	38
5	Electrical characteristics	39
5.1	Parameter conditions	39
5.1.1	Minimum and maximum values	39
5.1.2	Typical values	39
5.1.3	Typical curves	39
5.1.4	Loading capacitor	39
5.1.5	Pin input voltage	39
5.1.6	Power supply scheme	40
5.1.7	Current consumption measurement	40
5.2	Absolute maximum ratings	41
5.3	Operating conditions	42
5.3.1	General operating conditions	42
5.3.2	Operating conditions at power-up / power-down	43
5.3.3	Embedded reset and power control block characteristics	43
5.3.4	Embedded reference voltage	44
5.3.5	Supply current characteristics	44
5.3.6	External clock source characteristics	55
5.3.7	Internal clock source characteristics	60
5.3.8	PLL characteristics	62
5.3.9	Memory characteristics	62
5.3.10	FSMC characteristics	63
5.3.11	EMC characteristics	83
5.3.12	Absolute maximum ratings (electrical sensitivity)	84
5.3.13	I/O current injection characteristics	85
5.3.14	I/O port characteristics	86
5.3.15	NRST pin characteristics	91
5.3.16	TIM timer characteristics	92
5.3.17	Communications interfaces	93
5.3.18	CAN (controller area network) interface	102
5.3.19	12-bit ADC characteristics	103

- 5.3.20 DAC electrical specifications 108
- 5.3.21 Temperature sensor characteristics 110

- 6 Package characteristics 111**
 - 6.1 Package mechanical data 111
 - 6.2 Thermal characteristics 120
 - 6.2.1 Reference document 120
 - 6.2.2 Selecting the product temperature range 121

- 7 Part numbering 123**

- 8 Revision history 124**

List of tables

Table 1.	Device summary	1
Table 2.	STM32F103xC, STM32F103xD and STM32F103xE features and peripheral counts	11
Table 3.	STM32F103xx family	14
Table 4.	High-density timer feature comparison	19
Table 5.	High-density STM32F103xx pin definitions	30
Table 6.	FSMC pin definition	36
Table 7.	Voltage characteristics	41
Table 8.	Current characteristics	41
Table 9.	Thermal characteristics	42
Table 10.	General operating conditions	42
Table 11.	Operating conditions at power-up / power-down	43
Table 12.	Embedded reset and power control block characteristics	43
Table 13.	Embedded internal reference voltage	44
Table 14.	Maximum current consumption in Run mode, code with data processing running from Flash	45
Table 15.	Maximum current consumption in Run mode, code with data processing running from RAM	45
Table 16.	Maximum current consumption in Sleep mode, code running from Flash or RAM	47
Table 17.	Typical and maximum current consumptions in Stop and Standby modes	48
Table 18.	Typical current consumption in Run mode, code with data processing running from Flash	52
Table 19.	Typical current consumption in Sleep mode, code running from Flash or RAM	53
Table 20.	Peripheral current consumption	54
Table 21.	High-speed external user clock characteristics	55
Table 22.	Low-speed external user clock characteristics	56
Table 23.	HSE 4-16 MHz oscillator characteristics	58
Table 24.	LSE oscillator characteristics ($f_{LSE} = 32.768$ kHz)	59
Table 25.	HSI oscillator characteristics	60
Table 26.	LSI oscillator characteristics	60
Table 27.	Low-power mode wakeup timings	61
Table 28.	PLL characteristics	62
Table 29.	Flash memory characteristics	62
Table 30.	Flash memory endurance and data retention	63
Table 31.	Asynchronous non-multiplexed SRAM/PSRAM/NOR read timings	64
Table 32.	Asynchronous non-multiplexed SRAM/PSRAM/NOR write timings	65
Table 33.	Asynchronous multiplexed PSRAM/NOR read timings	66
Table 34.	Asynchronous multiplexed PSRAM/NOR write timings	68
Table 35.	Synchronous multiplexed NOR/PSRAM read timings	70
Table 36.	Synchronous multiplexed PSRAM write timings	72
Table 37.	Synchronous non-multiplexed NOR/PSRAM read timings	73
Table 38.	Synchronous non-multiplexed PSRAM write timings	74
Table 39.	Switching characteristics for PC Card/CF read and write cycles	79
Table 40.	Switching characteristics for NAND Flash read and write cycles	82
Table 41.	EMS characteristics	83
Table 42.	EMI characteristics	84
Table 43.	ESD absolute maximum ratings	84
Table 44.	Electrical sensitivities	85

Table 45.	I/O current injection susceptibility	85
Table 46.	I/O static characteristics	86
Table 47.	Output voltage characteristics	89
Table 48.	I/O AC characteristics	90
Table 49.	NRST pin characteristics	91
Table 50.	TIMx characteristics	92
Table 51.	I ² C characteristics	93
Table 52.	SCL frequency ($f_{PCLK1} = 36 \text{ MHz}, V_{DD} = 3.3 \text{ V}$)	94
Table 53.	SPI characteristics	95
Table 54.	I ² S characteristics	98
Table 55.	SD / MMC characteristics	101
Table 56.	USB startup time	101
Table 57.	USB DC electrical characteristics	102
Table 58.	USB: full-speed electrical characteristics	102
Table 59.	ADC characteristics	103
Table 60.	R_{AIN} max for $f_{ADC} = 14 \text{ MHz}$	104
Table 61.	ADC accuracy - limited test conditions	104
Table 62.	ADC accuracy	105
Table 63.	DAC characteristics	108
Table 64.	TS characteristics	110
Table 65.	Recommended PCB design rules (0.80/0.75 mm pitch BGA)	112
Table 66.	LFBGA144 – 144-ball low profile fine pitch ball grid array, 10 x 10 mm, 0.8 mm pitch, package data	113
Table 67.	LFBGA100 - 10 x 10 mm low profile fine pitch ball grid array package mechanical data	114
Table 68.	WLCSP, 64-ball 4.466 x 4.395 mm, 0.500 mm pitch, wafer-level chip-scale package mechanical data	115
Table 69.	Recommended PCB design rules (0.5mm pitch BGA)	116
Table 70.	LQFP144, 20 x 20 mm, 144-pin low-profile quad flat package mechanical data	117
Table 71.	LQPF100 – 14 x 14 mm 100-pin low-profile quad flat package mechanical data	118
Table 72.	LQFP64 – 10 x 10 mm 64 pin low-profile quad flat package mechanical data	119
Table 73.	Package thermal characteristics	120
Table 74.	Ordering information scheme	123

List of figures

Figure 1.	STM32F103xC, STM32F103xD and STM32F103xE performance line block diagram . . .	12
Figure 2.	Clock tree	13
Figure 3.	STM32F103xC and STM32F103xE performance line BGA144 ballout	24
Figure 4.	STM32F103xC and STM32F103xE performance line BGA100 ballout	25
Figure 5.	STM32F103xC and STM32F103xE performance line LQFP144 pinout.	26
Figure 6.	STM32F103xC and STM32F103xE performance line LQFP100 pinout.	27
Figure 7.	STM32F103xC and STM32F103xE performance line LQFP64 pinout	28
Figure 8.	STM32F103xC and STM32F103xE performance line WLCSP64 ballout, ball side	29
Figure 9.	Memory map	38
Figure 10.	Pin loading conditions.	39
Figure 11.	Pin input voltage	39
Figure 12.	Power supply scheme.	40
Figure 13.	Current consumption measurement scheme	40
Figure 14.	Typical current consumption in Run mode versus frequency (at 3.6 V) - code with data processing running from RAM, peripherals enabled	46
Figure 15.	Typical current consumption in Run mode versus frequency (at 3.6 V)- code with data processing running from RAM, peripherals disabled	46
Figure 16.	Typical current consumption on V_{BAT} with RTC on vs. temperature at different V_{BAT} values	48
Figure 17.	Typical current consumption in Stop mode with regulator in run mode versus temperature at different V_{DD} values	49
Figure 18.	Typical current consumption in Stop mode with regulator in low-power mode versus temperature at different V_{DD} values	50
Figure 19.	Typical current consumption in Standby mode versus temperature at different V_{DD} values	51
Figure 20.	High-speed external clock source AC timing diagram	56
Figure 21.	Low-speed external clock source AC timing diagram	57
Figure 22.	Typical application with an 8 MHz crystal	58
Figure 23.	Typical application with a 32.768 kHz crystal	60
Figure 24.	Asynchronous non-multiplexed SRAM/PSRAM/NOR read waveforms	64
Figure 25.	Asynchronous non-multiplexed SRAM/PSRAM/NOR write waveforms	65
Figure 26.	Asynchronous multiplexed PSRAM/NOR read waveforms.	66
Figure 27.	Asynchronous multiplexed PSRAM/NOR write waveforms	68
Figure 28.	Synchronous multiplexed NOR/PSRAM read timings	69
Figure 29.	Synchronous multiplexed PSRAM write timings.	71
Figure 30.	Synchronous non-multiplexed NOR/PSRAM read timings	73
Figure 31.	Synchronous non-multiplexed PSRAM write timings	74
Figure 32.	PC Card/CompactFlash controller waveforms for common memory read access	75
Figure 33.	PC Card/CompactFlash controller waveforms for common memory write access.	76
Figure 34.	PC Card/CompactFlash controller waveforms for attribute memory read access.	77
Figure 35.	PC Card/CompactFlash controller waveforms for attribute memory write access.	78
Figure 36.	PC Card/CompactFlash controller waveforms for I/O space read access	78
Figure 37.	PC Card/CompactFlash controller waveforms for I/O space write access	79
Figure 38.	NAND controller waveforms for read access	81

Figure 39.	NAND controller waveforms for write access	81
Figure 40.	NAND controller waveforms for common memory read access	81
Figure 41.	NAND controller waveforms for common memory write access	82
Figure 42.	Standard I/O input characteristics - CMOS port	87
Figure 43.	Standard I/O input characteristics - TTL port	87
Figure 44.	5 V tolerant I/O input characteristics - CMOS port	88
Figure 45.	5 V tolerant I/O input characteristics - TTL port	88
Figure 46.	I/O AC characteristics definition	91
Figure 47.	Recommended NRST pin protection	91
Figure 48.	I ² C bus AC waveforms and measurement circuit	94
Figure 49.	SPI timing diagram - slave mode and CPHA = 0	96
Figure 50.	SPI timing diagram - slave mode and CPHA = 1 ⁽¹⁾	96
Figure 51.	SPI timing diagram - master mode ⁽¹⁾	97
Figure 52.	I ² S slave timing diagram (Philips protocol) ⁽¹⁾	99
Figure 53.	I ² S master timing diagram (Philips protocol) ⁽¹⁾	99
Figure 54.	SDIO high-speed mode	100
Figure 55.	SD default mode	100
Figure 56.	USB timings: definition of data signal rise and fall time	102
Figure 57.	ADC accuracy characteristics	105
Figure 58.	Typical connection diagram using the ADC	106
Figure 59.	Power supply and reference decoupling (V_{REF+} not connected to V_{DDA})	106
Figure 60.	Power supply and reference decoupling (V_{REF+} connected to V_{DDA})	107
Figure 61.	12-bit buffered /non-buffered DAC	109
Figure 62.	BGA pad footprint	112
Figure 63.	LFBGA144 – 144-ball low profile fine pitch ball grid array, 10 x 10 mm, 0.8 mm pitch, package outline	113
Figure 64.	LFBGA100 - 10 x 10 mm low profile fine pitch ball grid array package outline	114
Figure 65.	WLCSP, 64-ball 4.466 x 4.395 mm, 0.500 mm pitch, wafer-level chip-scale package outline	115
Figure 66.	BGA pad footprint	116
Figure 67.	LQFP144, 20 x 20 mm, 144-pin low-profile quad flat package outline	117
Figure 68.	Recommended footprint ⁽¹⁾	117
Figure 69.	LQFP100, 14 x 14 mm 100-pin low-profile quad flat package outline	118
Figure 70.	Recommended footprint ⁽¹⁾	118
Figure 71.	LQFP64 – 10 x 10 mm 64 pin low-profile quad flat package outline	119
Figure 72.	Recommended footprint ⁽¹⁾	119
Figure 73.	LQFP100 P_D max vs. T_A	122

1 Introduction

This datasheet provides the ordering information and mechanical device characteristics of the STM32F103xC, STM32F103xD and STM32F103xE high-density performance line microcontrollers. For more details on the whole STMicroelectronics STM32F103xx family, please refer to [Section 2.2: Full compatibility throughout the family](#).

The high-density STM32F103xx datasheet should be read in conjunction with the STM32F10xxx reference manual.

For information on programming, erasing and protection of the internal Flash memory please refer to the *STM32F10xxx Flash programming manual*.

The reference and Flash programming manuals are both available from the STMicroelectronics website www.st.com.

For information on the Cortex™-M3 core please refer to the Cortex™-M3 Technical Reference Manual, available from the www.arm.com website at the following address: <http://infocenter.arm.com/help/index.jsp?topic=/com.arm.doc.ddi0337e/>.



2 Description

The STM32F103xC, STM32F103xD and STM32F103xE performance line family incorporates the high-performance ARM[®] Cortex[™]-M3 32-bit RISC core operating at a 72 MHz frequency, high-speed embedded memories (Flash memory up to 512 Kbytes and SRAM up to 64 Kbytes), and an extensive range of enhanced I/Os and peripherals connected to two APB buses. All devices offer three 12-bit ADCs, four general-purpose 16-bit timers plus two PWM timers, as well as standard and advanced communication interfaces: up to two I²Cs, three SPIs, two I²Ss, one SDIO, five USARTs, an USB and a CAN.

The STM32F103xx high-density performance line family operates in the –40 to +105 °C temperature range, from a 2.0 to 3.6 V power supply. A comprehensive set of power-saving mode allows the design of low-power applications.

These features make the STM32F103xx high-density performance line microcontroller family suitable for a wide range of applications such as motor drives, application control, medical and handheld equipment, PC and gaming peripherals, GPS platforms, industrial applications, PLCs, inverters, printers, scanners, alarm systems video intercom, and HVAC.

2.1 Device overview

The STM32F103xx high-density performance line family offers devices in six different package types: from 64 pins to 144 pins. Depending on the device chosen, different sets of peripherals are included, the description below gives an overview of the complete range of peripherals proposed in this family.

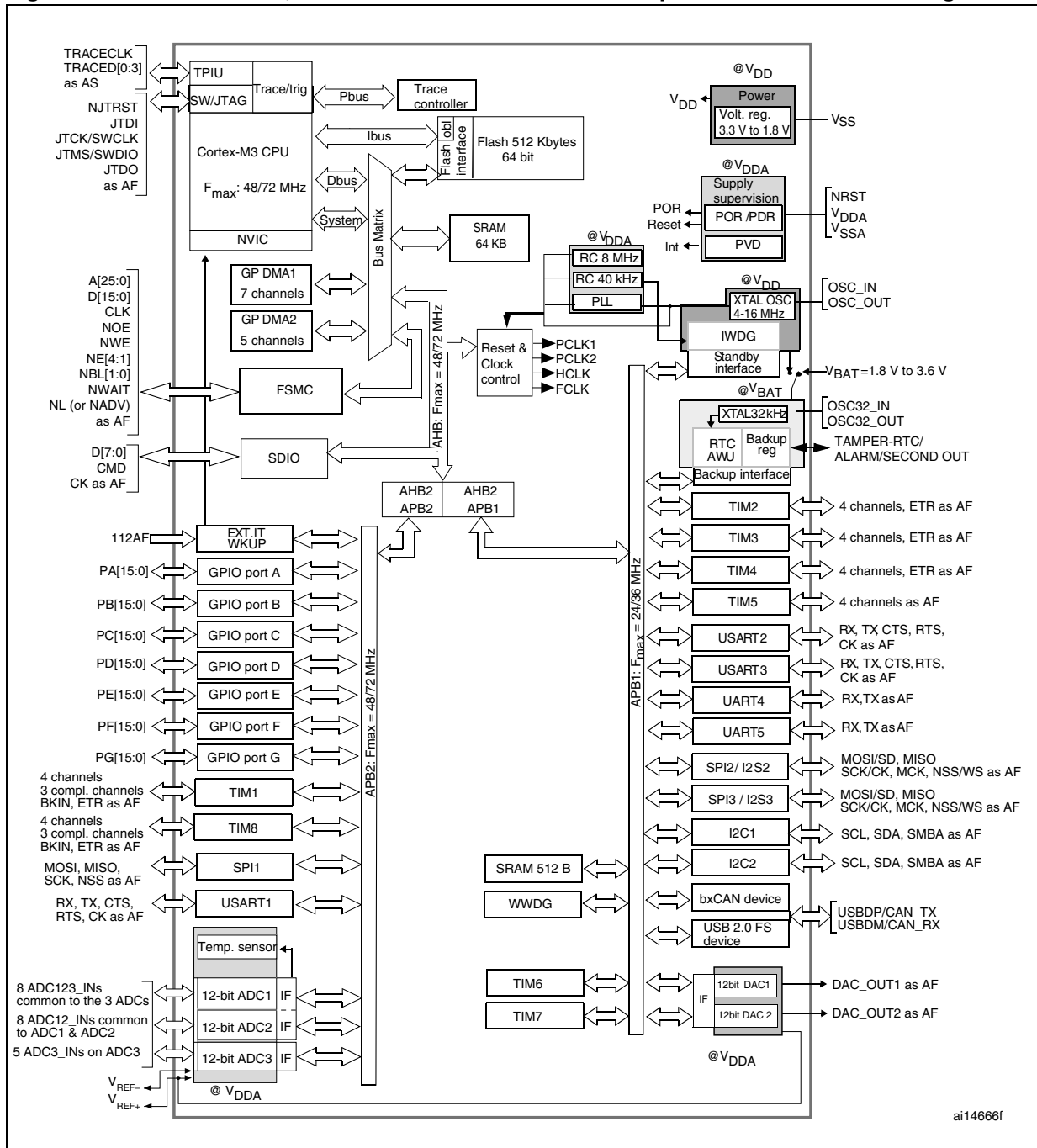
[Figure 1](#) shows the general block diagram of the device family.

Table 2. STM32F103xC, STM32F103xD and STM32F103xE features and peripheral counts

Peripherals		STM32F103Rx			STM32F103Vx			STM32F103Zx		
Flash memory in Kbytes		256	384	512	256	384	512	256	384	512
SRAM in Kbytes		48	64 ⁽¹⁾		48	64		48	64	
FSMC		No			Yes ⁽²⁾			Yes		
Timers	General-purpose				4					
	Advanced-control				2					
	Basic				2					
Comm	SPI(I ² S) ⁽³⁾				3(2)					
	I ² C				2					
	USART				5					
	USB				1					
	CAN				1					
	SDIO				1					
GPIOs		51			80			112		
12-bit ADC		3			3			3		
Number of channels		16			16			21		
12-bit DAC					2					
Number of channels					2					
CPU frequency					72 MHz					
Operating voltage					2.0 to 3.6 V					
Operating temperatures					Ambient temperatures: -40 to +85 °C / -40 to +105 °C (see Table 10) Junction temperature: -40 to +125 °C (see Table 10)					
Package		LQFP64, WLCSP64			LQFP100, BGA100			LQFP144, BGA144		

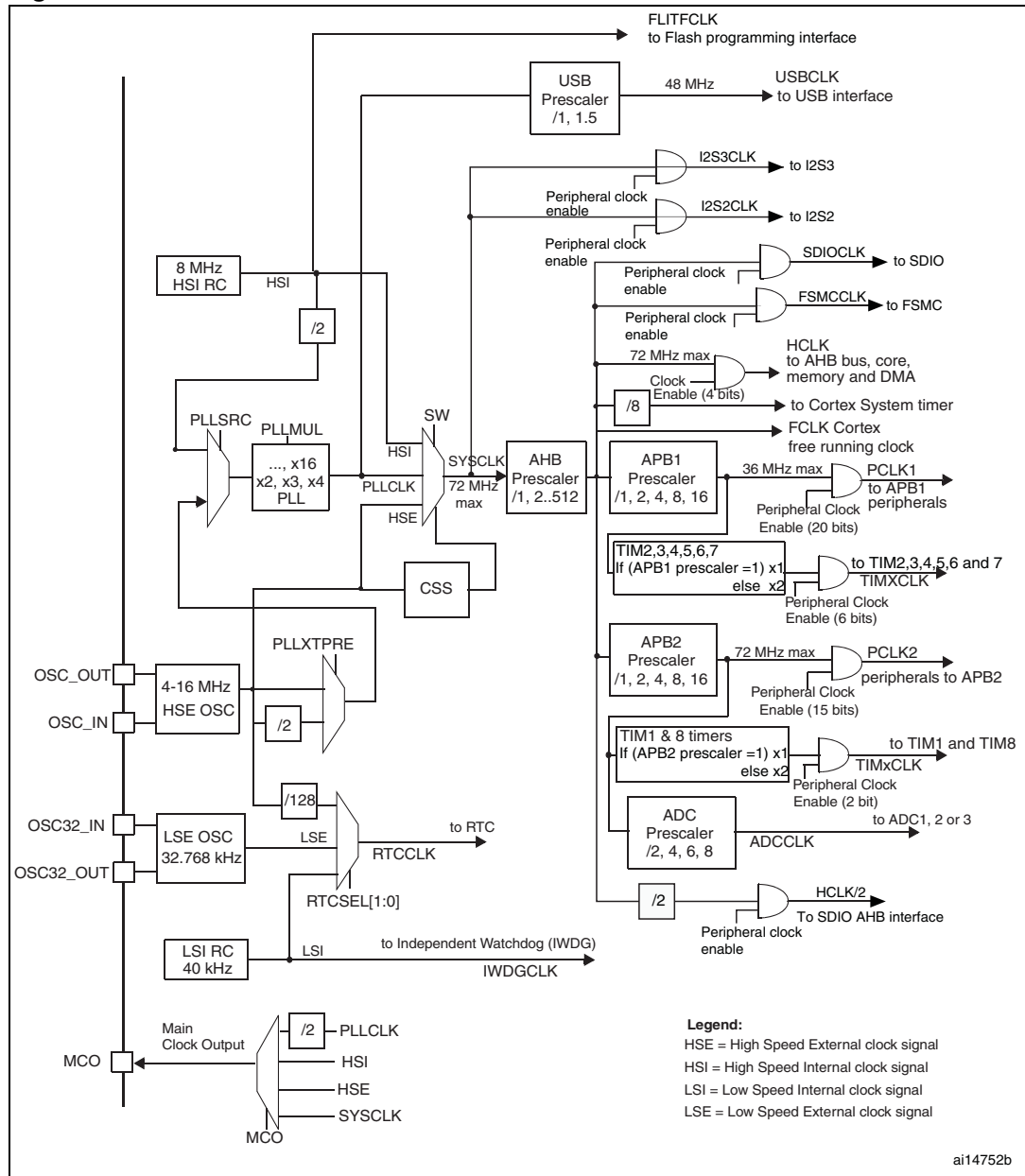
- 64 KB RAM for 256 KB Flash are available on devices delivered in CSP packages only.
- For the LQFP100 and BGA100 packages, only FSMC Bank1 and Bank2 are available. Bank1 can only support a multiplexed NOR/PSRAM memory using the NE1 Chip Select. Bank2 can only support a 16- or 8-bit NAND Flash memory using the NCE2 Chip Select. The interrupt line cannot be used since Port G is not available in this package.
- The SPI2 and SPI3 interfaces give the flexibility to work in an exclusive way in either the SPI mode or the I²S audio mode.

Figure 1. STM32F103xC, STM32F103xD and STM32F103xE performance line block diagram



1. $T_A = -40\text{ }^\circ\text{C}$ to $+85\text{ }^\circ\text{C}$ (suffix 6, see [Table 74](#)) or $-40\text{ }^\circ\text{C}$ to $+105\text{ }^\circ\text{C}$ (suffix 7, see [Table 74](#)), junction temperature up to $105\text{ }^\circ\text{C}$ or $125\text{ }^\circ\text{C}$, respectively.
2. AF = alternate function on I/O port pin.

Figure 2. Clock tree



1. When the HSI is used as a PLL clock input, the maximum system clock frequency that can be achieved is 64 MHz.
2. For the USB function to be available, both HSE and PLL must be enabled, with the USBCLK at 48 MHz.
3. To have an ADC conversion time of 1 μ s, APB2 must be at 14 MHz, 28 MHz or 56 MHz.

2.2 Full compatibility throughout the family

The STM32F103xx is a complete family whose members are fully pin-to-pin, software and feature compatible. In the reference manual, the STM32F103x4 and STM32F103x6 are identified as low-density devices, the STM32F103x8 and STM32F103xB are referred to as medium-density devices and the STM32F103xC, STM32F103xD and STM32F103xE are referred to as high-density devices.

Low-density and high-density devices are an extension of the STM32F103x8/B medium-density devices, they are specified in the STM32F103x4/6 and STM32F103xC/D/E datasheets, respectively. Low-density devices feature lower Flash memory and RAM capacities, less timers and peripherals. High-density devices have higher Flash memory and RAM capacities, and additional peripherals like SDIO, FSMC, I²S and DAC while remaining fully compatible with the other members of the family.

The STM32F103x4, STM32F103x6, STM32F103xC, STM32F103xD and STM32F103xE are a drop-in replacement for the STM32F103x8/B devices, allowing the user to try different memory densities and providing a greater degree of freedom during the development cycle.

Moreover, the STM32F103xx performance line family is fully compatible with all existing STM32F101xx access line and STM32F102xx USB access line devices.

Table 3. STM32F103xx family

Pinout	Low-density devices		Medium-density devices		High-density devices		
	16 KB Flash	32 KB Flash ⁽¹⁾	64 KB Flash	128 KB Flash	256 KB Flash	384 KB Flash	512 KB Flash
	6 KB RAM	10 KB RAM	20 KB RAM	20 KB RAM	48 RAM	64 KB RAM	64 KB RAM
144					5 × USARTs		
100			3 × USARTs		4 × 16-bit timers, 2 × basic timers		
64	2 × USARTs 2 × 16-bit timers		3 × 16-bit timers		3 × SPIs, 2 × I ² Ss, 2 × I ² Cs		
48	1 × SPI, 1 × I ² C, USB, CAN, 1 × PWM timer		2 × SPIs, 2 × I ² Cs, USB, CAN, 1 × PWM timer		USB, CAN, 2 × PWM timers		
36	2 × ADCs		2 × ADCs		3 × ADCs, 2 × DACs, 1 × SDIO FSMC (100- and 144-pin packages ⁽²⁾)		

- For orderable part numbers that do not show the A internal code after the temperature range code (6 or 7), the reference datasheet for electrical characteristics is that of the STM32F103x8/B medium-density devices.
- Ports F and G are not available in devices delivered in 100-pin packages.

2.3 Overview

2.3.1 ARM® Cortex™-M3 core with embedded Flash and SRAM

The ARM Cortex™-M3 processor is the latest generation of ARM processors for embedded systems. It has been developed to provide a low-cost platform that meets the needs of MCU implementation, with a reduced pin count and low-power consumption, while delivering outstanding computational performance and an advanced system response to interrupts.

The ARM Cortex™-M3 32-bit RISC processor features exceptional code-efficiency, delivering the high-performance expected from an ARM core in the memory size usually associated with 8- and 16-bit devices.

With its embedded ARM core, STM32F103xC, STM32F103xD and STM32F103xE performance line family is compatible with all ARM tools and software.

Figure 1 shows the general block diagram of the device family.

2.3.2 Embedded Flash memory

Up to 512 Kbytes of embedded Flash is available for storing programs and data.

2.3.3 CRC (cyclic redundancy check) calculation unit

The CRC (cyclic redundancy check) calculation unit is used to get a CRC code from a 32-bit data word and a fixed generator polynomial.

Among other applications, CRC-based techniques are used to verify data transmission or storage integrity. In the scope of the EN/IEC 60335-1 standard, they offer a means of verifying the Flash memory integrity. The CRC calculation unit helps compute a signature of the software during runtime, to be compared with a reference signature generated at link-time and stored at a given memory location.

2.3.4 Embedded SRAM

Up to 64 Kbytes of embedded SRAM accessed (read/write) at CPU clock speed with 0 wait states.

2.3.5 FSMC (flexible static memory controller)

The FSMC is embedded in the STM32F103xC, STM32F103xD and STM32F103xE performance line family. It has four Chip Select outputs supporting the following modes: PC Card/Compact Flash, SRAM, PSRAM, NOR and NAND.

Functionality overview:

- The three FSMC interrupt lines are ORed in order to be connected to the NVIC
- Write FIFO
- Code execution from external memory except for NAND Flash and PC Card
- The targeted frequency, f_{CLK} , is $HCLK/2$, so external access is at 36 MHz when HCLK is at 72 MHz and external access is at 24 MHz when HCLK is at 48 MHz

2.3.6 LCD parallel interface

The FSMC can be configured to interface seamlessly with most graphic LCD controllers. It supports the Intel 8080 and Motorola 6800 modes, and is flexible enough to adapt to specific LCD interfaces. This LCD parallel interface capability makes it easy to build cost-effective graphic applications using LCD modules with embedded controllers or high-performance solutions using external controllers with dedicated acceleration.

2.3.7 Nested vectored interrupt controller (NVIC)

The STM32F103xC, STM32F103xD and STM32F103xE performance line embeds a nested vectored interrupt controller able to handle up to 60 maskable interrupt channels (not including the 16 interrupt lines of Cortex™-M3) and 16 priority levels.

- Closely coupled NVIC gives low latency interrupt processing
- Interrupt entry vector table address passed directly to the core
- Closely coupled NVIC core interface
- Allows early processing of interrupts
- Processing of *late arriving* higher priority interrupts
- Support for tail-chaining
- Processor state automatically saved
- Interrupt entry restored on interrupt exit with no instruction overhead

This hardware block provides flexible interrupt management features with minimal interrupt latency.

2.3.8 External interrupt/event controller (EXTI)

The external interrupt/event controller consists of 19 edge detector lines used to generate interrupt/event requests. Each line can be independently configured to select the trigger event (rising edge, falling edge, both) and can be masked independently. A pending register maintains the status of the interrupt requests. The EXTI can detect an external line with a pulse width shorter than the Internal APB2 clock period. Up to 112 GPIOs can be connected to the 16 external interrupt lines.

2.3.9 Clocks and startup

System clock selection is performed on startup, however the internal RC 8 MHz oscillator is selected as default CPU clock on reset. An external 4-16 MHz clock can be selected, in which case it is monitored for failure. If failure is detected, the system automatically switches back to the internal RC oscillator. A software interrupt is generated if enabled. Similarly, full interrupt management of the PLL clock entry is available when necessary (for example with failure of an indirectly used external oscillator).

Several prescalers allow the configuration of the AHB frequency, the high speed APB (APB2) and the low speed APB (APB1) domains. The maximum frequency of the AHB and the high speed APB domains is 72 MHz. The maximum allowed frequency of the low speed APB domain is 36 MHz. See [Figure 2](#) for details on the clock tree.

2.3.10 Boot modes

At startup, boot pins are used to select one of three boot options:

- Boot from user Flash: you have an option to boot from any of two memory banks. By default, boot from Flash memory bank 1 is selected. You can choose to boot from Flash memory bank 2 by setting a bit in the option bytes.
- Boot from system memory
- Boot from embedded SRAM

The boot loader is located in system memory. It is used to reprogram the Flash memory by using USART1.

2.3.11 Power supply schemes

- $V_{DD} = 2.0$ to 3.6 V: external power supply for I/Os and the internal regulator. Provided externally through V_{DD} pins.
- V_{SSA} , $V_{DDA} = 2.0$ to 3.6 V: external analog power supplies for ADC, DAC, Reset blocks, RCs and PLL (minimum voltage to be applied to V_{DDA} is 2.4 V when the ADC or DAC is used). V_{DDA} and V_{SSA} must be connected to V_{DD} and V_{SS} , respectively.
- $V_{BAT} = 1.8$ to 3.6 V: power supply for RTC, external clock 32 kHz oscillator and backup registers (through power switch) when V_{DD} is not present.

For more details on how to connect power pins, refer to [Figure 12: Power supply scheme](#).

2.3.12 Power supply supervisor

The device has an integrated power-on reset (POR)/power-down reset (PDR) circuitry. It is always active, and ensures proper operation starting from/down to 2 V. The device remains in reset mode when V_{DD} is below a specified threshold, $V_{POR/PDR}$, without the need for an external reset circuit.

The device features an embedded programmable voltage detector (PVD) that monitors the V_{DD}/V_{DDA} power supply and compares it to the V_{PVD} threshold. An interrupt can be generated when V_{DD}/V_{DDA} drops below the V_{PVD} threshold and/or when V_{DD}/V_{DDA} is higher than the V_{PVD} threshold. The interrupt service routine can then generate a warning message and/or put the MCU into a safe state. The PVD is enabled by software. Refer to [Table 12: Embedded reset and power control block characteristics](#) for the values of $V_{POR/PDR}$ and V_{PVD} .

2.3.13 Voltage regulator

The regulator has three operation modes: main (MR), low power (LPR) and power down.

- MR is used in the nominal regulation mode (Run)
- LPR is used in the Stop modes.
- Power down is used in Standby mode: the regulator output is in high impedance: the kernel circuitry is powered down, inducing zero consumption (but the contents of the registers and SRAM are lost)

This regulator is always enabled after reset. It is disabled in Standby mode.

2.3.14 Low-power modes

The STM32F103xC, STM32F103xD and STM32F103xE performance line supports three low-power modes to achieve the best compromise between low power consumption, short startup time and available wakeup sources:

- **Sleep mode**

In Sleep mode, only the CPU is stopped. All peripherals continue to operate and can wake up the CPU when an interrupt/event occurs.

- **Stop mode**

Stop mode achieves the lowest power consumption while retaining the content of SRAM and registers. All clocks in the 1.8 V domain are stopped, the PLL, the HSI RC and the HSE crystal oscillators are disabled. The voltage regulator can also be put either in normal or in low-power mode.

The device can be woken up from Stop mode by any of the EXTI line. The EXTI line source can be one of the 16 external lines, the PVD output, the RTC alarm or the USB wakeup.

- **Standby mode**

The Standby mode is used to achieve the lowest power consumption. The internal voltage regulator is switched off so that the entire 1.8 V domain is powered off. The PLL, the HSI RC and the HSE crystal oscillators are also switched off. After entering Standby mode, SRAM and register contents are lost except for registers in the Backup domain and Standby circuitry.

The device exits Standby mode when an external reset (NRST pin), an IWDG reset, a rising edge on the WKUP pin, or an RTC alarm occurs.

Note: The RTC, the IWDG, and the corresponding clock sources are not stopped by entering Stop or Standby mode.

2.3.15 DMA

The flexible 12-channel general-purpose DMAs (7 channels for DMA1 and 5 channels for DMA2) are able to manage memory-to-memory, peripheral-to-memory and memory-to-peripheral transfers. The two DMA controllers support circular buffer management, removing the need for user code intervention when the controller reaches the end of the buffer.

Each channel is connected to dedicated hardware DMA requests, with support for software trigger on each channel. Configuration is made by software and transfer sizes between source and destination are independent.

The DMA can be used with the main peripherals: SPI, I²C, USART, general-purpose, basic and advanced-control timers TIMx, DAC, I²S, SDIO and ADC.

2.3.16 RTC (real-time clock) and backup registers

The RTC and the backup registers are supplied through a switch that takes power either on V_{DD} supply when present or through the V_{BAT} pin. The backup registers are forty-two 16-bit registers used to store 84 bytes of user application data when V_{DD} power is not present. They are not reset by a system or power reset, and they are not reset when the device wakes up from the Standby mode.

The real-time clock provides a set of continuously running counters which can be used with suitable software to provide a clock calendar function, and provides an alarm interrupt and a

periodic interrupt. It is clocked by a 32.768 kHz external crystal, resonator or oscillator, the internal low power RC oscillator or the high-speed external clock divided by 128. The internal low-speed RC has a typical frequency of 40 kHz. The RTC can be calibrated using an external 512 Hz output to compensate for any natural quartz deviation. The RTC features a 32-bit programmable counter for long term measurement using the Compare register to generate an alarm. A 20-bit prescaler is used for the time base clock and is by default configured to generate a time base of 1 second from a clock at 32.768 kHz.

2.3.17 Timers and watchdogs

The high-density STM32F103xx performance line devices include up to two advanced-control timers, up to four general-purpose timers, two basic timers, two watchdog timers and a SysTick timer.

Table 4 compares the features of the advanced-control, general-purpose and basic timers.

Table 4. High-density timer feature comparison

Timer	Counter resolution	Counter type	Prescaler factor	DMA request generation	Capture/compare channels	Complementary outputs
TIM1, TIM8	16-bit	Up, down, up/down	Any integer between 1 and 65536	Yes	4	Yes
TIM2, TIM3, TIM4, TIM5	16-bit	Up, down, up/down	Any integer between 1 and 65536	Yes	4	No
TIM6, TIM7	16-bit	Up	Any integer between 1 and 65536	Yes	0	No

Advanced-control timers (TIM1 and TIM8)

The two advanced-control timers (TIM1 and TIM8) can each be seen as a three-phase PWM multiplexed on 6 channels. They have complementary PWM outputs with programmable inserted dead-times. They can also be seen as a complete general-purpose timer. The 4 independent channels can be used for:

- Input capture
- Output compare
- PWM generation (edge or center-aligned modes)
- One-pulse mode output

If configured as a standard 16-bit timer, it has the same features as the TIMx timer. If configured as the 16-bit PWM generator, it has full modulation capability (0-100%).

In debug mode, the advanced-control timer counter can be frozen and the PWM outputs disabled to turn off any power switch driven by these outputs.

Many features are shared with those of the general-purpose TIM timers which have the same architecture. The advanced-control timer can therefore work together with the TIM timers via the Timer Link feature for synchronization or event chaining.

General-purpose timers (TIMx)

There are up to 4 synchronizable general-purpose timers (TIM2, TIM3, TIM4 and TIM5) embedded in the STM32F103xC, STM32F103xD and STM32F103xE performance line devices. These timers are based on a 16-bit auto-reload up/down counter, a 16-bit prescaler and feature 4 independent channels each for input capture/output compare, PWM or one-pulse mode output. This gives up to 16 input captures / output compares / PWMs on the largest packages.

The general-purpose timers can work together with the advanced-control timer via the Timer Link feature for synchronization or event chaining. Their counter can be frozen in debug mode. Any of the general-purpose timers can be used to generate PWM outputs. They all have independent DMA request generation.

These timers are capable of handling quadrature (incremental) encoder signals and the digital outputs from 1 to 3 hall-effect sensors.

Basic timers TIM6 and TIM7

These timers are mainly used for DAC trigger generation. They can also be used as a generic 16-bit time base.

Independent watchdog

The independent watchdog is based on a 12-bit downcounter and 8-bit prescaler. It is clocked from an independent 40 kHz internal RC and as it operates independently from the main clock, it can operate in Stop and Standby modes. It can be used either as a watchdog to reset the device when a problem occurs, or as a free running timer for application timeout management. It is hardware or software configurable through the option bytes. The counter can be frozen in debug mode.

Window watchdog

The window watchdog is based on a 7-bit downcounter that can be set as free running. It can be used as a watchdog to reset the device when a problem occurs. It is clocked from the main clock. It has an early warning interrupt capability and the counter can be frozen in debug mode.

SysTick timer

This timer is dedicated to real-time operating systems, but could also be used as a standard down counter. It features:

- A 24-bit down counter
- Autoreload capability
- Maskable system interrupt generation when the counter reaches 0.
- Programmable clock source

2.3.18 I²C bus

Up to two I²C bus interfaces can operate in multimaster and slave modes. They can support standard and fast modes.

They support 7/10-bit addressing mode and 7-bit dual addressing mode (as slave). A hardware CRC generation/verification is embedded.

They can be served by DMA and they support SMBus 2.0/PMBus.

2.3.19 Universal synchronous/asynchronous receiver transmitters (USARTs)

The STM32F103xC, STM32F103xD and STM32F103xE performance line embeds three universal synchronous/asynchronous receiver transmitters (USART1, USART2 and USART3) and two universal asynchronous receiver transmitters (UART4 and UART5).

These five interfaces provide asynchronous communication, IrDA SIR ENDEC support, multiprocessor communication mode, single-wire half-duplex communication mode and have LIN Master/Slave capability.

The USART1 interface is able to communicate at speeds of up to 4.5 Mbit/s. The other available interfaces communicate at up to 2.25 Mbit/s.

USART1, USART2 and USART3 also provide hardware management of the CTS and RTS signals, Smart Card mode (ISO 7816 compliant) and SPI-like communication capability. All interfaces can be served by the DMA controller except for UART5.

2.3.20 Serial peripheral interface (SPI)

Up to three SPIs are able to communicate up to 18 Mbits/s in slave and master modes in full-duplex and simplex communication modes. The 3-bit prescaler gives 8 master mode frequencies and the frame is configurable to 8 bits or 16 bits. The hardware CRC generation/verification supports basic SD Card/MMC modes.

All SPIs can be served by the DMA controller.

2.3.21 Inter-integrated sound (I²S)

Two standard I²S interfaces (multiplexed with SPI2 and SPI3) are available, that can be operated in master or slave mode. These interfaces can be configured to operate with 16/32 bit resolution, as input or output channels. Audio sampling frequencies from 8 kHz up to 48 kHz are supported. When either or both of the I²S interfaces is/are configured in master mode, the master clock can be output to the external DAC/CODEC at 256 times the sampling frequency.

2.3.22 SDIO

An SD/SDIO/MMC host interface is available, that supports MultiMediaCard System Specification Version 4.2 in three different databus modes: 1-bit (default), 4-bit and 8-bit. The interface allows data transfer at up to 48 MHz in 8-bit mode, and is compliant with SD Memory Card Specifications Version 2.0.

The SDIO Card Specification Version 2.0 is also supported with two different databus modes: 1-bit (default) and 4-bit.

The current version supports only one SD/SDIO/MMC4.2 card at any one time and a stack of MMC4.1 or previous.

In addition to SD/SDIO/MMC, this interface is also fully compliant with the CE-ATA digital protocol Rev1.1.

2.3.23 Controller area network (CAN)

The CAN is compliant with specifications 2.0A and B (active) with a bit rate up to 1 Mbit/s. It can receive and transmit standard frames with 11-bit identifiers as well as extended frames with 29-bit identifiers. It has three transmit mailboxes, two receive FIFOs with 3 stages and 14 scalable filter banks.

2.3.24 Universal serial bus (USB)

The STM32F103xC, STM32F103xD and STM32F103xE performance line embed a USB device peripheral compatible with the USB full-speed 12 Mbs. The USB interface implements a full-speed (12 Mbit/s) function interface. It has software-configurable endpoint setting and suspend/resume support. The dedicated 48 MHz clock is generated from the internal main PLL (the clock source must use a HSE crystal oscillator).

2.3.25 GPIOs (general-purpose inputs/outputs)

Each of the GPIO pins can be configured by software as output (push-pull or open-drain), as input (with or without pull-up or pull-down) or as peripheral alternate function. Most of the GPIO pins are shared with digital or analog alternate functions. All GPIOs are high current-capable except for analog inputs.

The I/Os alternate function configuration can be locked if needed following a specific sequence in order to avoid spurious writing to the I/Os registers.

2.3.26 ADC (analog to digital converter)

Three 12-bit analog-to-digital converters are embedded into STM32F103xC, STM32F103xD and STM32F103xE performance line devices and each ADC shares up to 21 external channels, performing conversions in single-shot or scan modes. In scan mode, automatic conversion is performed on a selected group of analog inputs.

Additional logic functions embedded in the ADC interface allow:

- Simultaneous sample and hold
- Interleaved sample and hold
- Single shunt

The ADC can be served by the DMA controller.

An analog watchdog feature allows very precise monitoring of the converted voltage of one, some or all selected channels. An interrupt is generated when the converted voltage is outside the programmed thresholds.

The events generated by the general-purpose timers (TIMx) and the advanced-control timers (TIM1 and TIM8) can be internally connected to the ADC start trigger and injection trigger, respectively, to allow the application to synchronize A/D conversion and timers.

2.3.27 DAC (digital-to-analog converter)

The two 12-bit buffered DAC channels can be used to convert two digital signals into two analog voltage signal outputs. The chosen design structure is composed of integrated resistor strings and an amplifier in inverting configuration.

This dual digital Interface supports the following features:

- two DAC converters: one for each output channel
- 8-bit or 12-bit monotonic output
- left or right data alignment in 12-bit mode
- synchronized update capability
- noise-wave generation
- triangular-wave generation
- dual DAC channel independent or simultaneous conversions
- DMA capability for each channel
- external triggers for conversion
- input voltage reference V_{REF+}

Eight DAC trigger inputs are used in the STM32F103xC, STM32F103xD and STM32F103xE performance line family. The DAC channels are triggered through the timer update outputs that are also connected to different DMA channels.

2.3.28 Temperature sensor

The temperature sensor has to generate a voltage that varies linearly with temperature. The conversion range is between $2\text{ V} < V_{DDA} < 3.6\text{ V}$. The temperature sensor is internally connected to the ADC1_IN16 input channel which is used to convert the sensor output voltage into a digital value.

2.3.29 Serial wire JTAG debug port (SWJ-DP)

The ARM SWJ-DP Interface is embedded, and is a combined JTAG and serial wire debug port that enables either a serial wire debug or a JTAG probe to be connected to the target. The JTAG TMS and TCK pins are shared respectively with SWDIO and SWCLK and a specific sequence on the TMS pin is used to switch between JTAG-DP and SW-DP.

2.3.30 Embedded Trace Macrocell™

The ARM® Embedded Trace Macrocell provides a greater visibility of the instruction and data flow inside the CPU core by streaming compressed data at a very high rate from the STM32F10xxx through a small number of ETM pins to an external hardware trace port analyzer (TPA) device. The TPA is connected to a host computer using USB, Ethernet, or any other high-speed channel. Real-time instruction and data flow activity can be recorded and then formatted for display on the host computer running debugger software. TPA hardware is commercially available from common development tool vendors. It operates with third party debugger software tools.

3 Pinouts and pin descriptions

Figure 3. STM32F103xC and STM32F103xE performance line BGA144 ballout

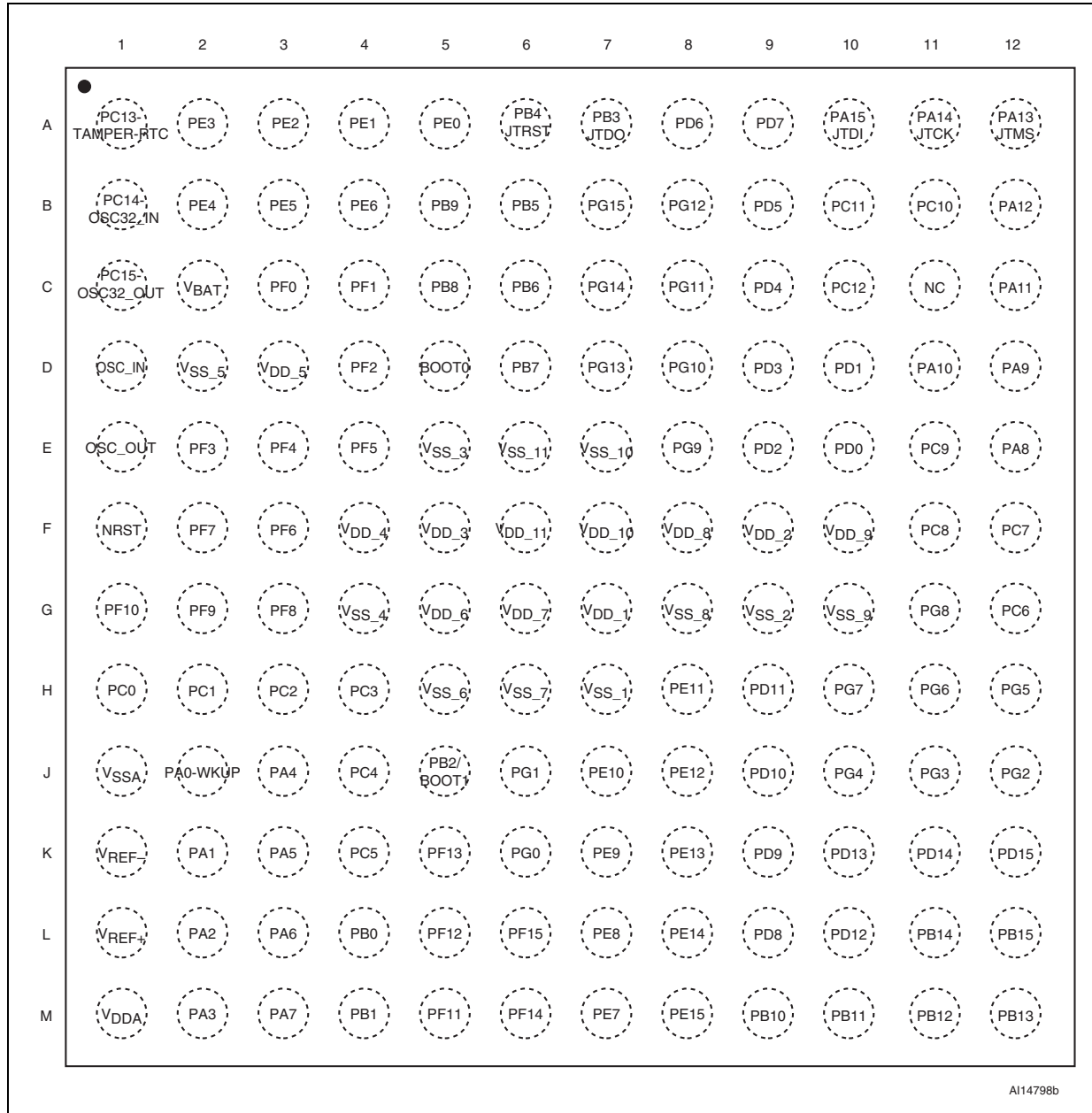


Figure 4. STM32F103xC and STM32F103xE performance line BGA100 ballout

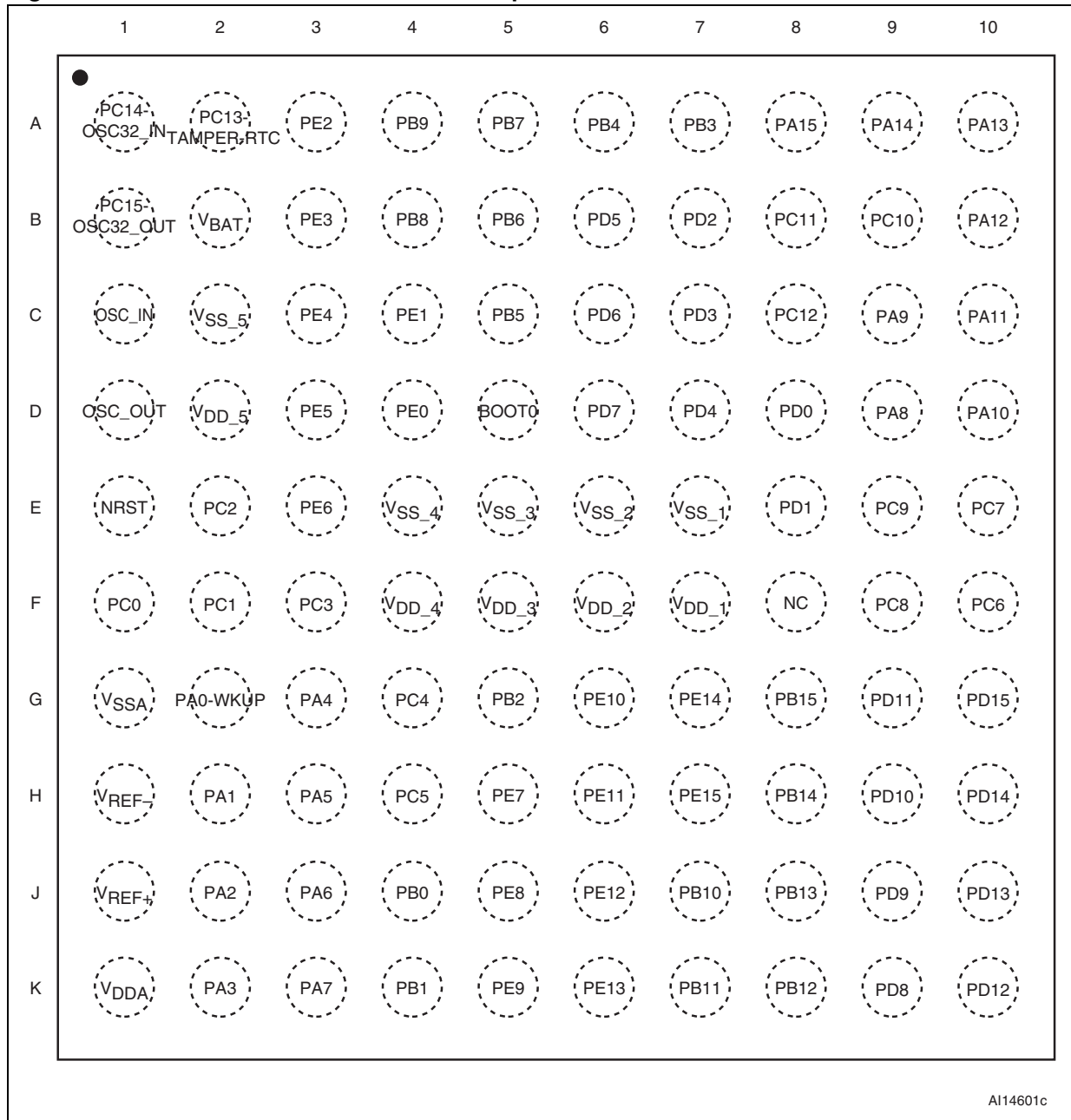


Figure 5. STM32F103xC and STM32F103xE performance line LQFP144 pinout

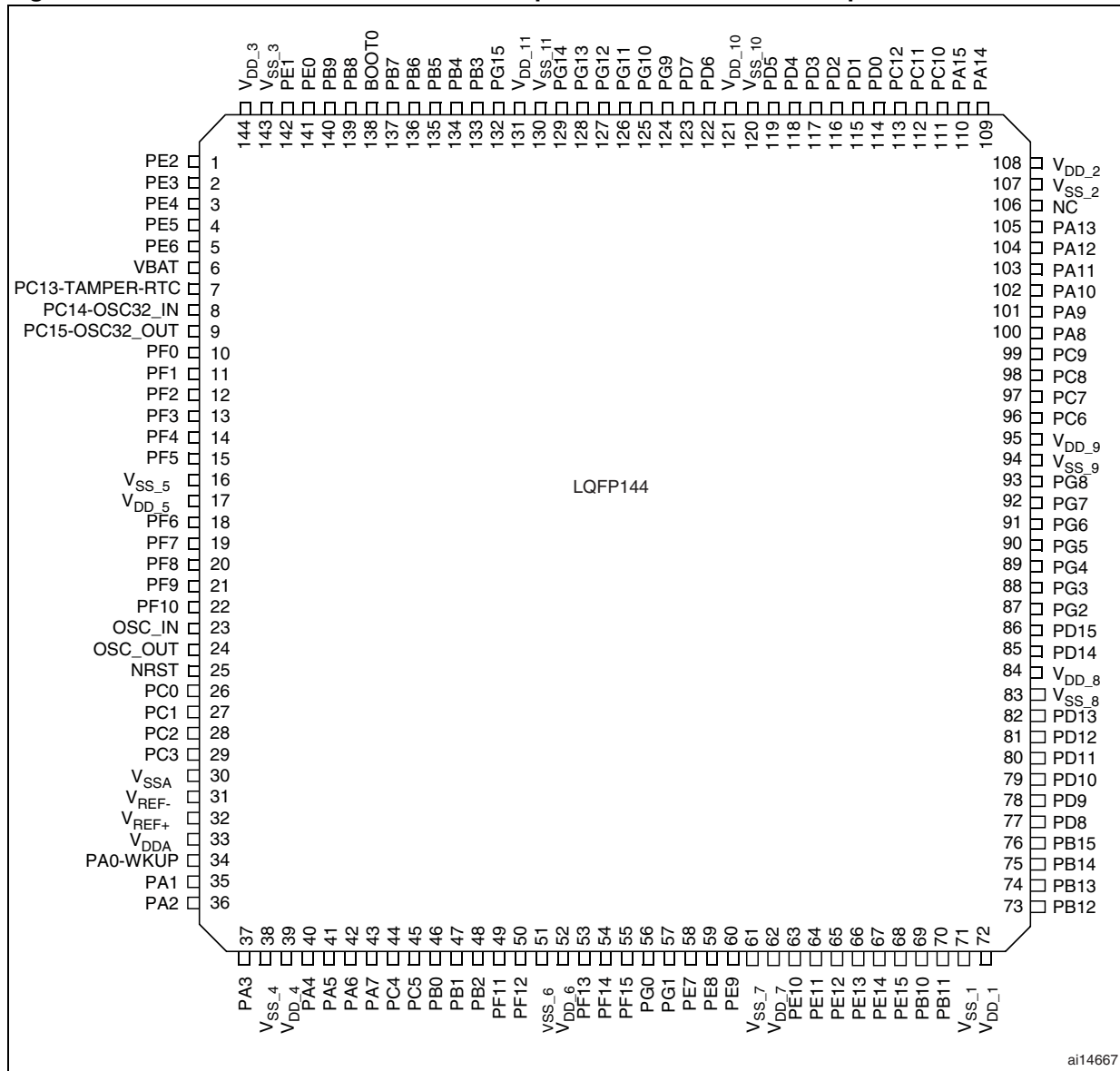


Figure 6. STM32F103xC and STM32F103xE performance line LQFP100 pinout

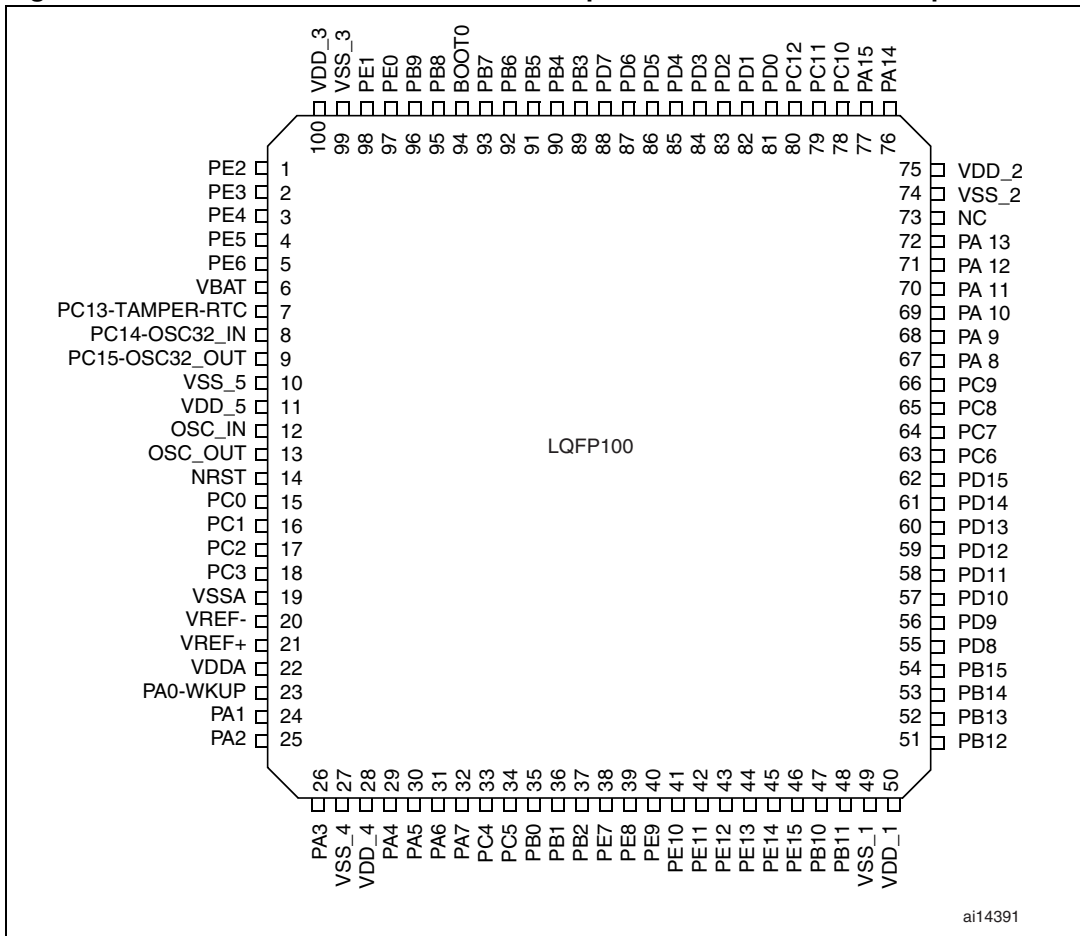


Figure 7. STM32F103xC and STM32F103xE performance line LQFP64 pinout

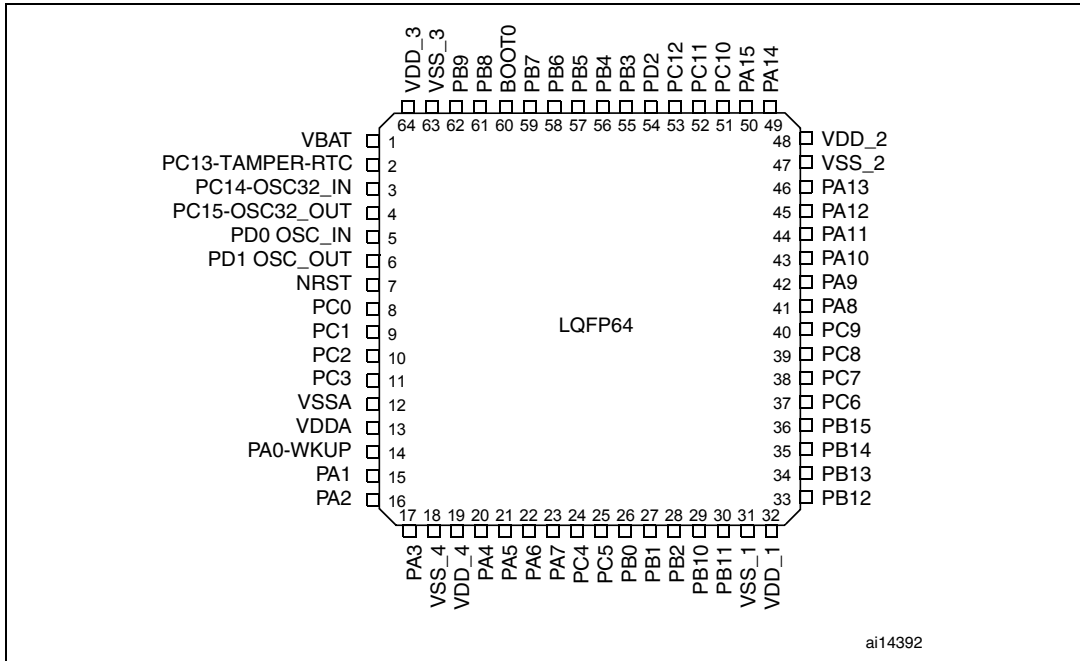


Figure 8. STM32F103xC and STM32F103xE performance line WLCSP64 ballout, ball side

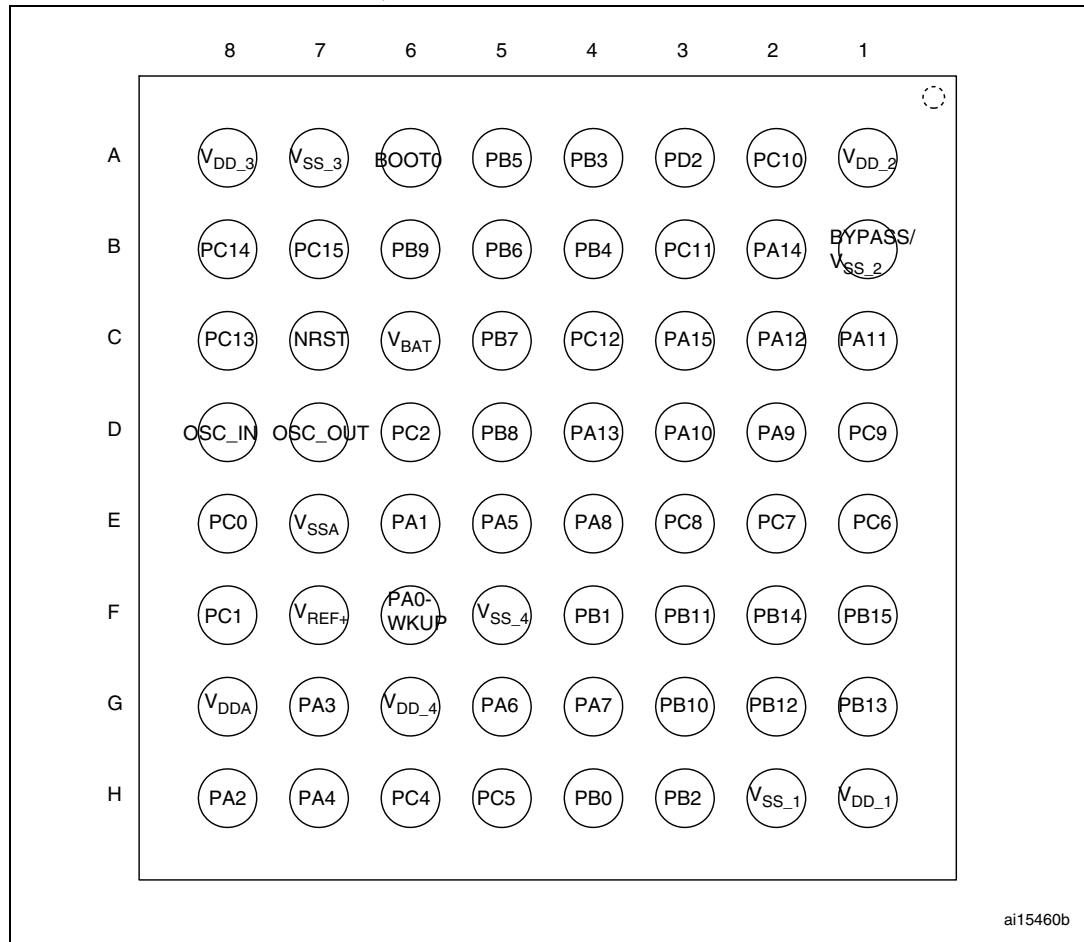


Table 5. High-density STM32F103xx pin definitions

Pins						Pin name	Type ⁽¹⁾	I/O Level ⁽²⁾	Main function ⁽³⁾ (after reset)	Alternate functions ⁽⁴⁾	
LFPGA144	LFPGA100	WLCSP64	LQFP64	LQFP100	LQFP144					Default	Remap
A3	A3	-	-	1	1	PE2	I/O	FT	PE2	TRACECK/FSMC_A23	
A2	B3	-	-	2	2	PE3	I/O	FT	PE3	TRACED0/FSMC_A19	
B2	C3	-	-	3	3	PE4	I/O	FT	PE4	TRACED1/FSMC_A20	
B3	D3	-	-	4	4	PE5	I/O	FT	PE5	TRACED2/FSMC_A21	
B4	E3	-	-	5	5	PE6	I/O	FT	PE6	TRACED3/FSMC_A22	
C2	B2	C6	1	6	6	V _{BAT}	S		V _{BAT}		
A1	A2	C8	2	7	7	PC13-TAMPER-RTC ⁽⁵⁾	I/O		PC13 ⁽⁶⁾	TAMPER-RTC	
B1	A1	B8	3	8	8	PC14-OSC32_IN ⁽⁵⁾	I/O		PC14 ⁽⁶⁾	OSC32_IN	
C1	B1	B7	4	9	9	PC15-OSC32_OUT ⁽⁵⁾	I/O		PC15 ⁽⁶⁾	OSC32_OUT	
C3	-	-	-	-	10	PF0	I/O	FT	PF0	FSMC_A0	
C4	-	-	-	-	11	PF1	I/O	FT	PF1	FSMC_A1	
D4	-	-	-	-	12	PF2	I/O	FT	PF2	FSMC_A2	
E2	-	-	-	-	13	PF3	I/O	FT	PF3	FSMC_A3	
E3	-	-	-	-	14	PF4	I/O	FT	PF4	FSMC_A4	
E4	-	-	-	-	15	PF5	I/O	FT	PF5	FSMC_A5	
D2	C2	-	-	10	16	V _{SS_5}	S		V _{SS_5}		
D3	D2	-	-	11	17	V _{DD_5}	S		V _{DD_5}		
F3	-	-	-	-	18	PF6	I/O		PF6	ADC3_IN4/FSMC_NIORD	
F2	-	-	-	-	19	PF7	I/O		PF7	ADC3_IN5/FSMC_NREG	
G3	-	-	-	-	20	PF8	I/O		PF8	ADC3_IN6/FSMC_NIOWR	
G2	-	-	-	-	21	PF9	I/O		PF9	ADC3_IN7/FSMC_CD	
G1	-	-	-	-	22	PF10	I/O		PF10	ADC3_IN8/FSMC_INTR	
D1	C1	D8	5	12	23	OSC_IN	I		OSC_IN		
E1	D1	D7	6	13	24	OSC_OUT	O		OSC_OUT		
F1	E1	C7	7	14	25	NRST	I/O		NRST		
H1	F1	E8	8	15	26	PC0	I/O		PC0	ADC123_IN10	
H2	F2	F8	9	16	27	PC1	I/O		PC1	ADC123_IN11	
H3	E2	D6	10	17	28	PC2	I/O		PC2	ADC123_IN12	
H4	F3	-	11	18	29	PC3	I/O		PC3	ADC123_IN13	
J1	G1	E7	12	19	30	V _{SSA}	S		V _{SSA}		

Table 5. High-density STM32F103xx pin definitions (continued)

Pins						Pin name	Type ⁽¹⁾	I/O Level ⁽²⁾	Main function ⁽³⁾ (after reset)	Alternate functions ⁽⁴⁾	
LFPGA144	LFPGA100	WLSP64	LQFP64	LQFP100	LQFP144					Default	Remap
K1	H1	-	-	20	31	V _{REF-}	S		V _{REF-}		
L1	J1	F7 (7)	-	21	32	V _{REF+}	S		V _{REF+}		
M1	K1	G8	13	22	33	V _{DDA}	S		V _{DDA}		
J2	G2	F6	14	23	34	PA0-WKUP	I/O		PA0	WKUP/USART2_CTS ⁽⁸⁾ ADC123_IN0 TIM2_CH1_ETR TIM5_CH1/TIM8_ETR	
K2	H2	E6	15	24	35	PA1	I/O		PA1	USART2_RTS ⁽⁸⁾ ADC123_IN1/ TIM5_CH2/TIM2_CH2 ⁽⁸⁾	
L2	J2	H8	16	25	36	PA2	I/O		PA2	USART2_TX ⁽⁸⁾ /TIM5_CH3 ADC123_IN2/ TIM2_CH3 ⁽⁸⁾	
M2	K2	G7	17	26	37	PA3	I/O		PA3	USART2_RX ⁽⁸⁾ /TIM5_CH4 ADC123_IN3/TIM2_CH4 ⁽⁸⁾	
G4	E4	F5	18	27	38	V _{SS_4}	S		V _{SS_4}		
F4	F4	G6	19	28	39	V _{DD_4}	S		V _{DD_4}		
J3	G3	H7	20	29	40	PA4	I/O		PA4	SPI1_NSS ⁽⁸⁾ / USART2_CK ⁽⁸⁾ DAC_OUT1/ADC12_IN4	
K3	H3	E5	21	30	41	PA5	I/O		PA5	SPI1_SCK ⁽⁸⁾ DAC_OUT2 ADC12_IN5	
L3	J3	G5	22	31	42	PA6	I/O		PA6	SPI1_MISO ⁽⁸⁾ TIM8_BKIN/ADC12_IN6 TIM3_CH1 ⁽⁸⁾	TIM1_BKIN
M3	K3	G4	23	32	43	PA7	I/O		PA7	SPI1_MOSI ⁽⁸⁾ / TIM8_CH1N/ADC12_IN7 TIM3_CH2 ⁽⁸⁾	TIM1_CH1N
J4	G4	H6	24	33	44	PC4	I/O		PC4	ADC12_IN14	
K4	H4	H5	25	34	45	PC5	I/O		PC5	ADC12_IN15	
L4	J4	H4	26	35	46	PB0	I/O		PB0	ADC12_IN8/TIM3_CH3 TIM8_CH2N	TIM1_CH2N
M4	K4	F4	27	36	47	PB1	I/O		PB1	ADC12_IN9/TIM3_CH4 ⁽⁸⁾ TIM8_CH3N	TIM1_CH3N
J5	G5	H3	28	37	48	PB2	I/O	FT	PB2/BOOT1		
M5	-	-	-	-	49	PF11	I/O	FT	PF11	FSMC_NIOS16	
L5	-	-	-	-	50	PF12	I/O	FT	PF12	FSMC_A6	

Table 5. High-density STM32F103xx pin definitions (continued)

Pins						Pin name	Type ⁽¹⁾	I/O Level ⁽²⁾	Main function ⁽³⁾ (after reset)	Alternate functions ⁽⁴⁾	
LFPGA144	LFPGA100	WLCSP64	LQFP64	LQFP100	LQFP144					Default	Remap
H5	-	-	-	-	51	V _{SS_6}	S		V _{SS_6}		
G5	-	-	-	-	52	V _{DD_6}	S		V _{DD_6}		
K5	-	-	-	-	53	PF13	I/O	FT	PF13	FSMC_A7	
M6	-	-	-	-	54	PF14	I/O	FT	PF14	FSMC_A8	
L6	-	-	-	-	55	PF15	I/O	FT	PF15	FSMC_A9	
K6	-	-	-	-	56	PG0	I/O	FT	PG0	FSMC_A10	
J6	-	-	-	-	57	PG1	I/O	FT	PG1	FSMC_A11	
M7	H5	-	-	38	58	PE7	I/O	FT	PE7	FSMC_D4	TIM1_ETR
L7	J5	-	-	39	59	PE8	I/O	FT	PE8	FSMC_D5	TIM1_CH1N
K7	K5	-	-	40	60	PE9	I/O	FT	PE9	FSMC_D6	TIM1_CH1
H6	-	-	-	-	61	V _{SS_7}	S		V _{SS_7}		
G6	-	-	-	-	62	V _{DD_7}	S		V _{DD_7}		
J7	G6	-	-	41	63	PE10	I/O	FT	PE10	FSMC_D7	TIM1_CH2N
H8	H6	-	-	42	64	PE11	I/O	FT	PE11	FSMC_D8	TIM1_CH2
J8	J6	-	-	43	65	PE12	I/O	FT	PE12	FSMC_D9	TIM1_CH3N
K8	K6	-	-	44	66	PE13	I/O	FT	PE13	FSMC_D10	TIM1_CH3
L8	G7	-	-	45	67	PE14	I/O	FT	PE14	FSMC_D11	TIM1_CH4
M8	H7	-	-	46	68	PE15	I/O	FT	PE15	FSMC_D12	TIM1_BKIN
M9	J7	G3	29	47	69	PB10	I/O	FT	PB10	I2C2_SCL/USART3_TX ⁽⁸⁾	TIM2_CH3
M10	K7	F3	30	48	70	PB11	I/O	FT	PB11	I2C2_SDA/USART3_RX ⁽⁸⁾	TIM2_CH4
H7	E7	H2	31	49	71	V _{SS_1}	S		V _{SS_1}		
G7	F7	H1	32	50	72	V _{DD_1}	S		V _{DD_1}		
M11	K8	G2	33	51	73	PB12	I/O	FT	PB12	SPI2_NSS/I2S2_WS/ I2C2_SMBA/ USART3_CK ⁽⁸⁾ / TIM1_BKIN ⁽⁸⁾	
M12	J8	G1	34	52	74	PB13	I/O	FT	PB13	SPI2_SCK/I2S2_CK USART3_CTS ⁽⁸⁾ / TIM1_CH1N	
L11	H8	F2	35	53	75	PB14	I/O	FT	PB14	SPI2_MISO/TIM1_CH2N USART3_RTS ⁽⁸⁾	
L12	G8	F1	36	54	76	PB15	I/O	FT	PB15	SPI2_MOSI/I2S2_SD TIM1_CH3N ⁽⁸⁾	
L9	K9	-	-	55	77	PD8	I/O	FT	PD8	FSMC_D13	USART3_TX
K9	J9	-	-	56	78	PD9	I/O	FT	PD9	FSMC_D14	USART3_RX

Table 5. High-density STM32F103xx pin definitions (continued)

Pins						Pin name	Type ⁽¹⁾	I/O Level ⁽²⁾	Main function ⁽³⁾ (after reset)	Alternate functions ⁽⁴⁾	
LFPGA144	LFPGA100	WLCSP64	LQFP64	LQFP100	LQFP144					Default	Remap
J9	H9	-	-	57	79	PD10	I/O	FT	PD10	FSMC_D15	USART3_CK
H9	G9	-	-	58	80	PD11	I/O	FT	PD11	FSMC_A16	USART3_CTS
L10	K10	-	-	59	81	PD12	I/O	FT	PD12	FSMC_A17	TIM4_CH1 / USART3_RTS
K10	J10	-	-	60	82	PD13	I/O	FT	PD13	FSMC_A18	TIM4_CH2
G8	-	-	-	-	83	V _{SS_8}	S		V _{SS_8}		
F8	-	-	-	-	84	V _{DD_8}	S		V _{DD_8}		
K11	H10	-	-	61	85	PD14	I/O	FT	PD14	FSMC_D0	TIM4_CH3
K12	G10	-	-	62	86	PD15	I/O	FT	PD15	FSMC_D1	TIM4_CH4
J12	-	-	-	-	87	PG2	I/O	FT	PG2	FSMC_A12	
J11	-	-	-	-	88	PG3	I/O	FT	PG3	FSMC_A13	
J10	-	-	-	-	89	PG4	I/O	FT	PG4	FSMC_A14	
H12	-	-	-	-	90	PG5	I/O	FT	PG5	FSMC_A15	
H11	-	-	-	-	91	PG6	I/O	FT	PG6	FSMC_INT2	
H10	-	-	-	-	92	PG7	I/O	FT	PG7	FSMC_INT3	
G11	-	-	-	-	93	PG8	I/O	FT	PG8		
G10	-	-	-	-	94	V _{SS_9}	S		V _{SS_9}		
F10	-	-	-	-	95	V _{DD_9}	S		V _{DD_9}		
G12	F10	E1	37	63	96	PC6	I/O	FT	PC6	I2S2_MCK/ TIM8_CH1/SDIO_D6	TIM3_CH1
F12	E10	E2	38	64	97	PC7	I/O	FT	PC7	I2S3_MCK/ TIM8_CH2/SDIO_D7	TIM3_CH2
F11	F9	E3	39	65	98	PC8	I/O	FT	PC8	TIM8_CH3/SDIO_D0	TIM3_CH3
E11	E9	D1	40	66	99	PC9	I/O	FT	PC9	TIM8_CH4/SDIO_D1	TIM3_CH4
E12	D9	E4	41	67	100	PA8	I/O	FT	PA8	USART1_CK/ TIM1_CH1 ⁽⁸⁾ /MCO	
D12	C9	D2	42	68	101	PA9	I/O	FT	PA9	USART1_TX ⁽⁸⁾ / TIM1_CH2 ⁽⁸⁾	
D11	D10	D3	43	69	102	PA10	I/O	FT	PA10	USART1_RX ⁽⁸⁾ / TIM1_CH3 ⁽⁸⁾	
C12	C10	C1	44	70	103	PA11	I/O	FT	PA11	USART1_CTS/USBDM CAN_RX ⁽⁸⁾ /TIM1_CH4 ⁽⁸⁾	
B12	B10	C2	45	71	104	PA12	I/O	FT	PA12	USART1_RTS/USBDM/ CAN_TX ⁽⁸⁾ /TIM1_ETR ⁽⁸⁾	

Table 5. High-density STM32F103xx pin definitions (continued)

Pins						Pin name	Type ⁽¹⁾	I/O Level ⁽²⁾	Main function ⁽³⁾ (after reset)	Alternate functions ⁽⁴⁾	
LFPGA144	LFPGA100	WLCSP64	LQFP64	LQFP100	LQFP144					Default	Remap
A12	A10	D4	46	72	105	PA13	I/O	FT	JTMS-SWDIO		PA13
C11	F8	-	-	73	106	Not connected					
G9	E6	B1	47	74	107	V _{SS_2}	S		V _{SS_2}		
F9	F6	A1	48	75	108	V _{DD_2}	S		V _{DD_2}		
A11	A9	B2	49	76	109	PA14	I/O	FT	JTCK-SWCLK		PA14
A10	A8	C3	50	77	110	PA15	I/O	FT	JTDI	SPI3_NSS/ I2S3_WS	TIM2_CH1_ETR PA15 / SPI1_NSS
B11	B9	A2	51	78	111	PC10	I/O	FT	PC10	UART4_TX/SDIO_D2	USART3_TX
B10	B8	B3	52	79	112	PC11	I/O	FT	PC11	UART4_RX/SDIO_D3	USART3_RX
C10	C8	C4	53	80	113	PC12	I/O	FT	PC12	UART5_TX/SDIO_CK	USART3_CK
E10	D8	D8	5	81	114	PD0	I/O	FT	OSC_IN ⁽⁹⁾	FSMC_D2 ⁽¹⁰⁾	CAN_RX
D10	E8	D7	6	82	115	PD1	I/O	FT	OSC_OUT ⁽⁹⁾	FSMC_D3 ⁽¹⁰⁾	CAN_TX
E9	B7	A3	54	83	116	PD2	I/O	FT	PD2	TIM3_ETR/UART5_RX SDIO_CMD	
D9	C7	-	-	84	117	PD3	I/O	FT	PD3	FSMC_CLK	USART2_CTS
C9	D7	-	-	85	118	PD4	I/O	FT	PD4	FSMC_NOE	USART2_RTS
B9	B6	-	-	86	119	PD5	I/O	FT	PD5	FSMC_NWE	USART2_TX
E7	-	-	-	-	120	V _{SS_10}	S		V _{SS_10}		
F7	-	-	-	-	121	V _{DD_10}	S		V _{DD_10}		
A8	C6	-	-	87	122	PD6	I/O	FT	PD6	FSMC_NWAIT	USART2_RX
A9	D6	-	-	88	123	PD7	I/O	FT	PD7	FSMC_NE1/FSMC_NCE2	USART2_CK
E8	-	-	-	-	124	PG9	I/O	FT	PG9	FSMC_NE2/FSMC_NCE3	
D8	-	-	-	-	125	PG10	I/O	FT	PG10	FSMC_NCE4_1/ FSMC_NE3	
C8	-	-	-	-	126	PG11	I/O	FT	PG11	FSMC_NCE4_2	
B8	-	-	-	-	127	PG12	I/O	FT	PG12	FSMC_NE4	
D7	-	-	-	-	128	PG13	I/O	FT	PG13	FSMC_A24	
C7	-	-	-	-	129	PG14	I/O	FT	PG14	FSMC_A25	
E6	-	-	-	-	130	V _{SS_11}	S		V _{SS_11}		
F6	-	-	-	-	131	V _{DD_11}	S		V _{DD_11}		
B7	-	-	-	-	132	PG15	I/O	FT	PG15		

Table 5. High-density STM32F103xx pin definitions (continued)

Pins						Pin name	Type ⁽¹⁾	I/O Level ⁽²⁾	Main function ⁽³⁾ (after reset)	Alternate functions ⁽⁴⁾	
LFBGA144	LFBGA100	WLCSP64	LQFP64	LQFP100	LQFP144					Default	Remap
A7	A7	A4	55	89	133	PB3	I/O	FT	JTDO	SPI3_SCK / I2S3_CK/	PB3/TRACESWO TIM2_CH2 / SPI1_SCK
A6	A6	B4	56	90	134	PB4	I/O	FT	NJTRST	SPI3_MISO	PB4 / TIM3_CH1 SPI1_MISO
B6	C5	A5	57	91	135	PB5	I/O		PB5	I2C1_SMBA/ SPI3_MOSI I2S3_SD	TIM3_CH2 / SPI1_MOSI
C6	B5	B5	58	92	136	PB6	I/O	FT	PB6	I2C1_SCL ⁽⁸⁾ / TIM4_CH1 ⁽⁸⁾	USART1_TX
D6	A5	C5	59	93	137	PB7	I/O	FT	PB7	I2C1_SDA ⁽⁸⁾ / FSMC_NADV / TIM4_CH2 ⁽⁸⁾	USART1_RX
D5	D5	A6	60	94	138	BOOT0	I		BOOT0		
C5	B4	D5	61	95	139	PB8	I/O	FT	PB8	TIM4_CH3 ⁽⁸⁾ /SDIO_D4	I2C1_SCL/ CAN_RX
B5	A4	B6	62	96	140	PB9	I/O	FT	PB9	TIM4_CH4 ⁽⁸⁾ /SDIO_D5	I2C1_SDA / CAN_TX
A5	D4	-	-	97	141	PE0	I/O	FT	PE0	TIM4_ETR / FSMC_NBL0	
A4	C4	-	-	98	142	PE1	I/O	FT	PE1	FSMC_NBL1	
E5	E5	A7	63	99	143	V _{SS_3}	S		V _{SS_3}		
F5	F5	A8	64	100	144	V _{DD_3}	S		V _{DD_3}		

1. I = input, O = output, S = supply.
2. FT = 5 V tolerant.
3. Function availability depends on the chosen device.
4. If several peripherals share the same I/O pin, to avoid conflict between these alternate functions only one peripheral should be enabled at a time through the peripheral clock enable bit (in the corresponding RCC peripheral clock enable register).
5. PC13, PC14 and PC15 are supplied through the power switch. Since the switch only sinks a limited amount of current (3 mA), the use of GPIOs PC13 to PC15 in output mode is limited: the speed should not exceed 2 MHz with a maximum load of 30 pF and these IOs must not be used as a current source (e.g. to drive an LED).
6. Main function after the first backup domain power-up. Later on, it depends on the contents of the Backup registers even after reset (because these registers are not reset by the main reset). For details on how to manage these IOs, refer to the Battery backup domain and BKP register description sections in the STM32F10xxx reference manual, available from the STMicroelectronics website: www.st.com.
7. Unlike in the LQFP64 package, there is no PC3 in the WLCSP package. The V_{REF+} functionality is provided instead.
8. This alternate function can be remapped by software to some other port pins (if available on the used package). For more details, refer to the Alternate function I/O and debug configuration section in the STM32F10xxx reference manual, available from the STMicroelectronics website: www.st.com.
9. For the LQFP64 package, the pins number 5 and 6 are configured as OSC_IN/OSC_OUT after reset, however the functionality of PD0 and PD1 can be remapped by software on these pins. For the LQFP100/BGA100 and LQFP144/BGA144 packages, PD0 and PD1 are available by default, so there is no need for remapping. For more details, refer to Alternate function I/O and debug configuration section in the STM32F10xxx reference manual.
10. For devices delivered in LQFP64 packages, the FSMC function is not available.

Table 6. FSMC pin definition

Pins	FSMC					LQFP100 BGA100 ⁽¹⁾
	CF	CF/IDE	NOR/PSRAM/ SRAM	NOR/PSRAM Mux	NAND 16 bit	
PE2			A23	A23		Yes
PE3			A19	A19		Yes
PE4			A20	A20		Yes
PE5			A21	A21		Yes
PE6			A22	A22		Yes
PF0	A0	A0	A0			-
PF1	A1	A1	A1			-
PF2	A2	A2	A2			-
PF3	A3		A3			-
PF4	A4		A4			-
PF5	A5		A5			-
PF6	NIORD	NIORD				-
PF7	NREG	NREG				-
PF8	NIOWR	NIOWR				-
PF9	CD	CD				-
PF10	INTR	INTR				-
PF11	NIOS16	NIOS16				-
PF12	A6		A6			-
PF13	A7		A7			-
PF14	A8		A8			-
PF15	A9		A9			-
PG0	A10		A10			-
PG1			A11			-
PE7	D4	D4	D4	DA4	D4	Yes
PE8	D5	D5	D5	DA5	D5	Yes
PE9	D6	D6	D6	DA6	D6	Yes
PE10	D7	D7	D7	DA7	D7	Yes
PE11	D8	D8	D8	DA8	D8	Yes
PE12	D9	D9	D9	DA9	D9	Yes
PE13	D10	D10	D10	DA10	D10	Yes
PE14	D11	D11	D11	DA11	D11	Yes
PE15	D12	D12	D12	DA12	D12	Yes
PD8	D13	D13	D13	DA13	D13	Yes

Table 6. FSMC pin definition (continued)

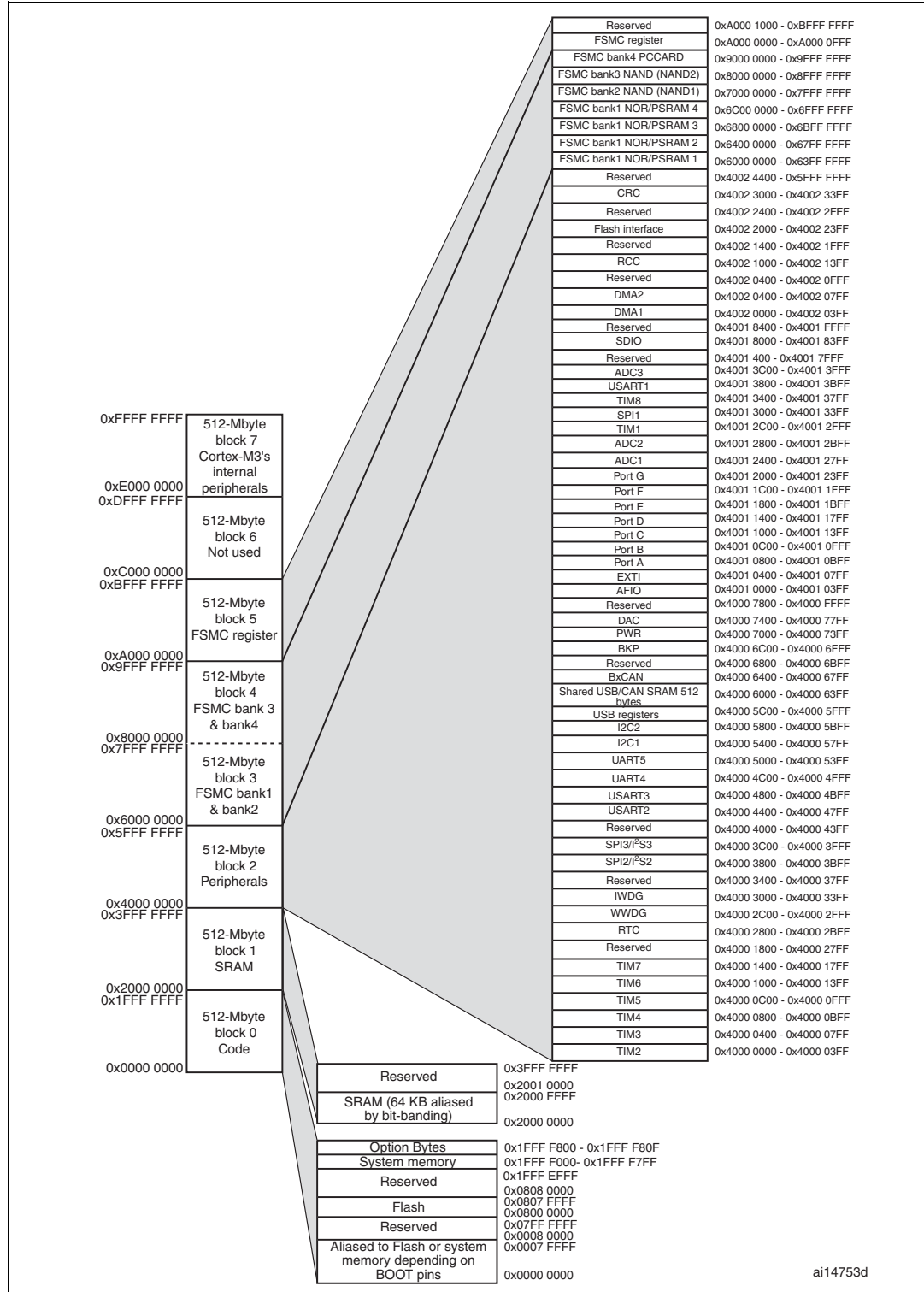
Pins	FSMC					LQFP100 BGA100 ⁽¹⁾
	CF	CF/IDE	NOR/PSRAM/ SRAM	NOR/PSRAM Mux	NAND 16 bit	
PD9	D14	D14	D14	DA14	D14	Yes
PD10	D15	D15	D15	DA15	D15	Yes
PD11			A16	A16	CLE	Yes
PD12			A17	A17	ALE	Yes
PD13			A18	A18		Yes
PD14	D0	D0	D0	DA0	D0	Yes
PD15	D1	D1	D1	DA1	D1	Yes
PG2			A12			-
PG3			A13			-
PG4			A14			-
PG5			A15			-
PG6					INT2	-
PG7					INT3	-
PD0	D2	D2	D2	DA2	D2	Yes
PD1	D3	D3	D3	DA3	D3	Yes
PD3			CLK	CLK		Yes
PD4	NOE	NOE	NOE	NOE	NOE	Yes
PD5	NWE	NWE	NWE	NWE	NWE	Yes
PD6	NWAIT	NWAIT	NWAIT	NWAIT	NWAIT	Yes
PD7			NE1	NE1	NCE2	Yes
PG9			NE2	NE2	NCE3	-
PG10	NCE4_1	NCE4_1	NE3	NE3		-
PG11	NCE4_2	NCE4_2				-
PG12			NE4	NE4		-
PG13			A24	A24		-
PG14			A25	A25		-
PB7			NADV	NADV		Yes
PE0			NBL0	NBL0		Yes
PE1			NBL1	NBL1		Yes

1. Ports F and G are not available in devices delivered in 100-pin packages.

4 Memory mapping

The memory map is shown in *Figure 9*.

Figure 9. Memory map



5 Electrical characteristics

5.1 Parameter conditions

Unless otherwise specified, all voltages are referenced to V_{SS} .

5.1.1 Minimum and maximum values

Unless otherwise specified the minimum and maximum values are guaranteed in the worst conditions of ambient temperature, supply voltage and frequencies by tests in production on 100% of the devices with an ambient temperature at $T_A = 25\text{ °C}$ and $T_A = T_{A\text{max}}$ (given by the selected temperature range).

Data based on characterization results, design simulation and/or technology characteristics are indicated in the table footnotes and are not tested in production. Based on characterization, the minimum and maximum values refer to sample tests and represent the mean value plus or minus three times the standard deviation ($\text{mean} \pm 3\sigma$).

5.1.2 Typical values

Unless otherwise specified, typical data are based on $T_A = 25\text{ °C}$, $V_{DD} = 3.3\text{ V}$ (for the $2\text{ V} \leq V_{DD} \leq 3.6\text{ V}$ voltage range). They are given only as design guidelines and are not tested.

Typical ADC accuracy values are determined by characterization of a batch of samples from a standard diffusion lot over the full temperature range, where 95% of the devices have an error less than or equal to the value indicated ($\text{mean} \pm 2\sigma$).

5.1.3 Typical curves

Unless otherwise specified, all typical curves are given only as design guidelines and are not tested.

5.1.4 Loading capacitor

The loading conditions used for pin parameter measurement are shown in [Figure 10](#).

5.1.5 Pin input voltage

The input voltage measurement on a pin of the device is described in [Figure 11](#).

Figure 10. Pin loading conditions

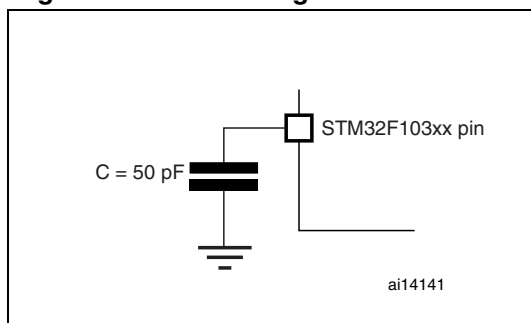
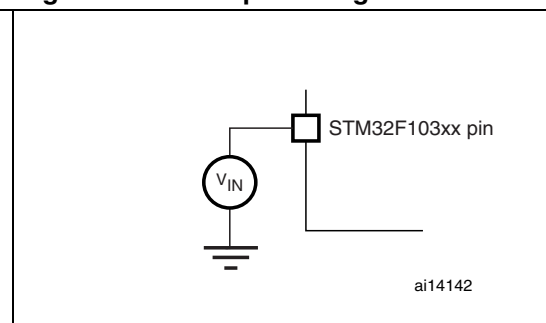
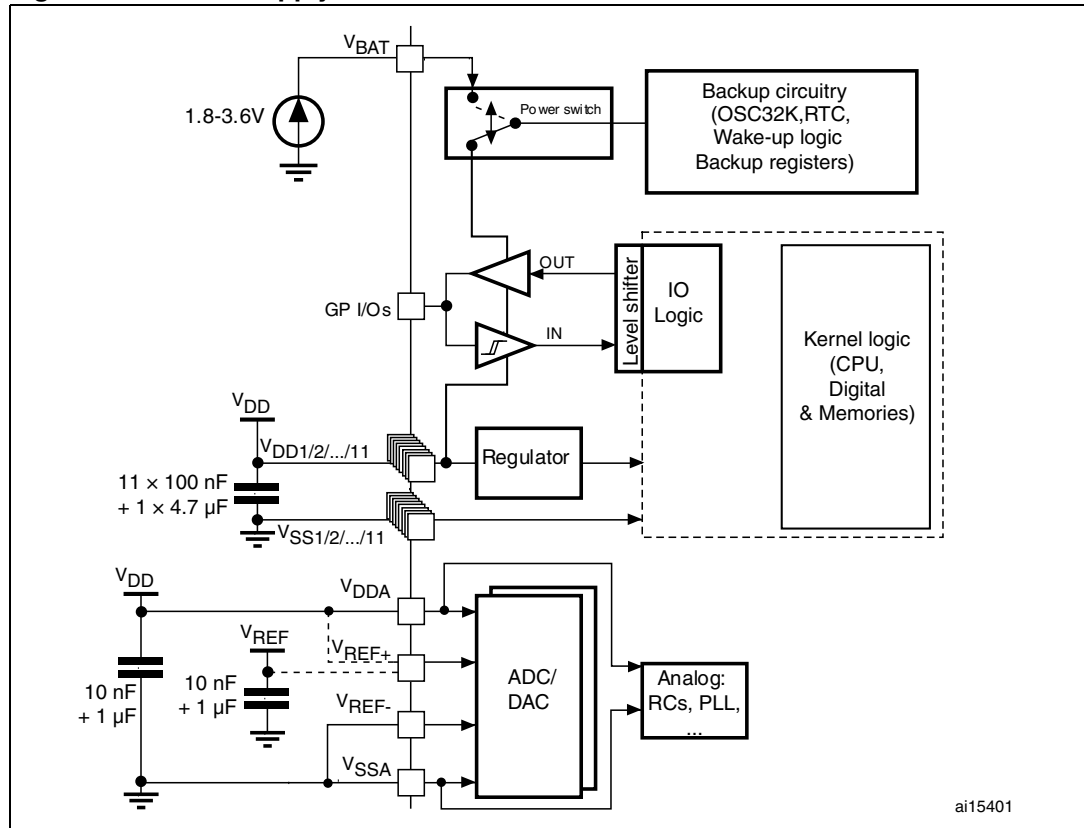


Figure 11. Pin input voltage



5.1.6 Power supply scheme

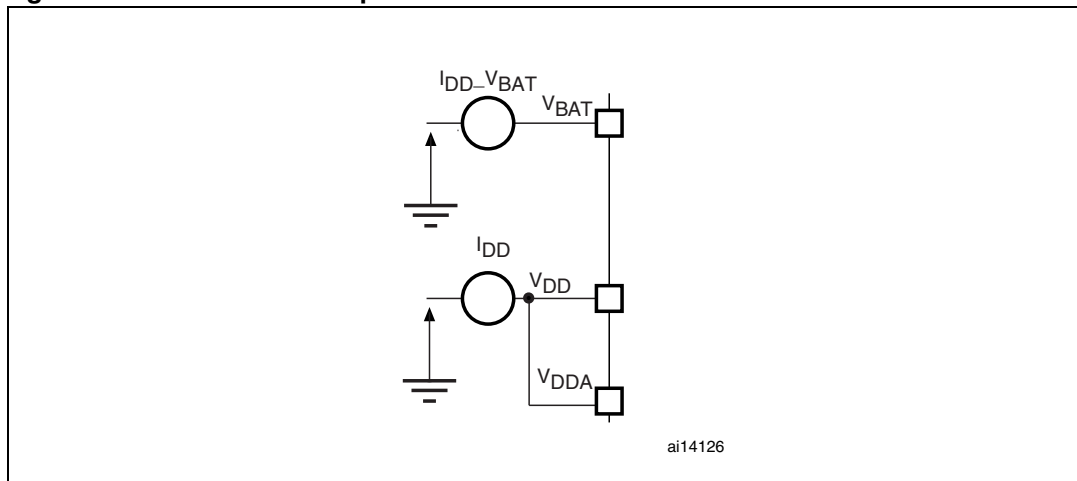
Figure 12. Power supply scheme



Caution: In [Figure 12](#), the 4.7 μF capacitor must be connected to V_{DD3}.

5.1.7 Current consumption measurement

Figure 13. Current consumption measurement scheme



5.2 Absolute maximum ratings

Stresses above the absolute maximum ratings listed in [Table 7: Voltage characteristics](#), [Table 8: Current characteristics](#), and [Table 9: Thermal characteristics](#) may cause permanent damage to the device. These are stress ratings only and functional operation of the device at these conditions is not implied. Exposure to maximum rating conditions for extended periods may affect device reliability.

Table 7. Voltage characteristics

Symbol	Ratings	Min	Max	Unit
$V_{DD}-V_{SS}$	External main supply voltage (including V_{DDA} and V_{DD}) ⁽¹⁾	-0.3	4.0	V
V_{IN} ⁽²⁾	Input voltage on five volt tolerant pin	$V_{SS} - 0.3$	$V_{DD} + 4.0$	
	Input voltage on any other pin	$V_{SS} - 0.3$	4.0	
$ \Delta V_{DDx} $	Variations between different V_{DD} power pins		50	mV
$ V_{SSx} - V_{SS} $	Variations between all the different ground pins		50	
$V_{ESD(HBM)}$	Electrostatic discharge voltage (human body model)	see Section 5.3.12: Absolute maximum ratings (electrical sensitivity)		

1. All main power (V_{DD} , V_{DDA}) and ground (V_{SS} , V_{SSA}) pins must always be connected to the external power supply, in the permitted range.
2. V_{IN} maximum must always be respected. Refer to [Table 8: Current characteristics](#) for the maximum allowed injected current values.

Table 8. Current characteristics

Symbol	Ratings	Max.	Unit
I_{VDD}	Total current into V_{DD}/V_{DDA} power lines (source) ⁽¹⁾	150	mA
I_{VSS}	Total current out of V_{SS} ground lines (sink) ⁽¹⁾	150	
I_{IO}	Output current sunk by any I/O and control pin	25	
	Output current source by any I/Os and control pin	- 25	
$I_{INJ(PIN)}$ ⁽²⁾	Injected current on five volt tolerant pins ⁽³⁾	-5/+0	
	Injected current on any other pin ⁽⁴⁾	± 5	
$\Sigma I_{INJ(PIN)}$	Total injected current (sum of all I/O and control pins) ⁽⁵⁾	± 25	

1. All main power (V_{DD} , V_{DDA}) and ground (V_{SS} , V_{SSA}) pins must always be connected to the external power supply, in the permitted range.
2. Negative injection disturbs the analog performance of the device. See note 3 below [Table 62 on page 105](#).
3. Positive injection is not possible on these I/Os. A negative injection is induced by $V_{IN} < V_{SS}$. $I_{INJ(PIN)}$ must never be exceeded. Refer to [Table 7: Voltage characteristics](#) for the maximum allowed input voltage values.
4. A positive injection is induced by $V_{IN} > V_{DD}$ while a negative injection is induced by $V_{IN} < V_{SS}$. $I_{INJ(PIN)}$ must never be exceeded. Refer to [Table 7: Voltage characteristics](#) for the maximum allowed input voltage values.
5. When several inputs are submitted to a current injection, the maximum $\Sigma I_{INJ(PIN)}$ is the absolute sum of the positive and negative injected currents (instantaneous values).

Table 9. Thermal characteristics

Symbol	Ratings	Value	Unit
T_{STG}	Storage temperature range	-65 to +150	°C
T_J	Maximum junction temperature	150	°C

5.3 Operating conditions

5.3.1 General operating conditions

Table 10. General operating conditions

Symbol	Parameter	Conditions	Min	Max	Unit
f_{HCLK}	Internal AHB clock frequency		0	72	MHz
f_{PCLK1}	Internal APB1 clock frequency		0	36	
f_{PCLK2}	Internal APB2 clock frequency		0	72	
V_{DD}	Standard operating voltage		2	3.6	V
$V_{DDA}^{(1)}$	Analog operating voltage (ADC not used)	Must be the same potential as $V_{DD}^{(2)}$	2	3.6	V
	Analog operating voltage (ADC used)		2.4	3.6	
V_{BAT}	Backup operating voltage		1.8	3.6	V
P_D	Power dissipation at $T_A = 85\text{ °C}$ for suffix 6 or $T_A = 105\text{ °C}$ for suffix 7 ⁽³⁾	LQFP144		666	mW
		LQFP100		434	
		LQFP64		444	
		LFPGA100		500	
		LFPGA144		500	
		WLCSP64		400	
T_A	Ambient temperature for 6 suffix version	Maximum power dissipation	-40	85	°C
		Low power dissipation ⁽⁴⁾	-40	105	
	Ambient temperature for 7 suffix version	Maximum power dissipation	-40	105	°C
		Low power dissipation ⁽⁴⁾	-40	125	
T_J	Junction temperature range	6 suffix version	-40	105	°C
		7 suffix version	-40	125	

- When the ADC is used, refer to [Table 59: ADC characteristics](#).
- It is recommended to power V_{DD} and V_{DDA} from the same source. A maximum difference of 300 mV between V_{DD} and V_{DDA} can be tolerated during power-up and operation.
- If T_A is lower, higher P_D values are allowed as long as T_J does not exceed T_{Jmax} (see [Table 6.2: Thermal characteristics on page 120](#)).
- In low power dissipation state, T_A can be extended to this range as long as T_J does not exceed T_{Jmax} (see [Table 6.2: Thermal characteristics on page 120](#)).

5.3.2 Operating conditions at power-up / power-down

The parameters given in [Table 11](#) are derived from tests performed under the ambient temperature condition summarized in [Table 10](#).

Table 11. Operating conditions at power-up / power-down

Symbol	Parameter	Conditions	Min	Max	Unit
t _{VDD}	V _{DD} rise time rate		0	∞	μs/V
	V _{DD} fall time rate		20	∞	

5.3.3 Embedded reset and power control block characteristics

The parameters given in [Table 12](#) are derived from tests performed under ambient temperature and V_{DD} supply voltage conditions summarized in [Table 10](#).

Table 12. Embedded reset and power control block characteristics

Symbol	Parameter	Conditions	Min	Typ	Max	Unit
V _{PVD}	Programmable voltage detector level selection	PLS[2:0]=000 (rising edge)	2.1	2.18	2.26	V
		PLS[2:0]=000 (falling edge)	2	2.08	2.16	V
		PLS[2:0]=001 (rising edge)	2.19	2.28	2.37	V
		PLS[2:0]=001 (falling edge)	2.09	2.18	2.27	V
		PLS[2:0]=010 (rising edge)	2.28	2.38	2.48	V
		PLS[2:0]=010 (falling edge)	2.18	2.28	2.38	V
		PLS[2:0]=011 (rising edge)	2.38	2.48	2.58	V
		PLS[2:0]=011 (falling edge)	2.28	2.38	2.48	V
		PLS[2:0]=100 (rising edge)	2.47	2.58	2.69	V
		PLS[2:0]=100 (falling edge)	2.37	2.48	2.59	V
		PLS[2:0]=101 (rising edge)	2.57	2.68	2.79	V
		PLS[2:0]=101 (falling edge)	2.47	2.58	2.69	V
		PLS[2:0]=110 (rising edge)	2.66	2.78	2.9	V
		PLS[2:0]=110 (falling edge)	2.56	2.68	2.8	V
		PLS[2:0]=111 (rising edge)	2.76	2.88	3	V
		PLS[2:0]=111 (falling edge)	2.66	2.78	2.9	V
V _{PVDhyst} ⁽²⁾	PVD hysteresis			100		mV
V _{POR/PDR}	Power on/power down reset threshold	Falling edge	1.8 ⁽¹⁾	1.88	1.96	V
		Rising edge	1.84	1.92	2.0	V
V _{PDRhyst} ⁽²⁾	PDR hysteresis			40		mV
T _{RSTTEMPO} ⁽²⁾	Reset temporization		1	2.5	4.5	mS

1. The product behavior is guaranteed by design down to the minimum V_{POR/PDR} value.

2. Guaranteed by design, not tested in production.

5.3.4 Embedded reference voltage

The parameters given in [Table 13](#) are derived from tests performed under ambient temperature and V_{DD} supply voltage conditions summarized in [Table 10](#).

Table 13. Embedded internal reference voltage

Symbol	Parameter	Conditions	Min	Typ	Max	Unit
V_{REFINT}	Internal reference voltage	$-40\text{ }^{\circ}\text{C} < T_A < +105\text{ }^{\circ}\text{C}$	1.16	1.20	1.26	V
		$-40\text{ }^{\circ}\text{C} < T_A < +85\text{ }^{\circ}\text{C}$	1.16	1.20	1.24	V
$T_{S_vrefint}^{(1)}$	ADC sampling time when reading the internal reference voltage			5.1	17.1 ⁽²⁾	μs
$V_{RERINT}^{(2)}$	Internal reference voltage spread over the temperature range	$V_{DD} = 3\text{ V} \pm 10\text{ mV}$			10	mV
$T_{Coeff}^{(2)}$	Temperature coefficient				100	ppm/ $^{\circ}\text{C}$

1. Shortest sampling time can be determined in the application by multiple iterations.
2. Guaranteed by design, not tested in production.

5.3.5 Supply current characteristics

The current consumption is a function of several parameters and factors such as the operating voltage, ambient temperature, I/O pin loading, device software configuration, operating frequencies, I/O pin switching rate, program location in memory and executed binary code.

The current consumption is measured as described in [Figure 13: Current consumption measurement scheme](#).

All Run-mode current consumption measurements given in this section are performed with a reduced code that gives a consumption equivalent to Dhrystone 2.1 code.

Maximum current consumption

The MCU is placed under the following conditions:

- All I/O pins are in input mode with a static value at V_{DD} or V_{SS} (no load)
- All peripherals are disabled except when explicitly mentioned
- The Flash memory access time is adjusted to the f_{HCLK} frequency (0 wait state from 0 to 24 MHz, 1 wait state from 24 to 48 MHz and 2 wait states above)
- Prefetch in ON (reminder: this bit must be set before clock setting and bus prescaling)
- When the peripherals are enabled $f_{PCLK1} = f_{HCLK}/2$, $f_{PCLK2} = f_{HCLK}$

The parameters given in [Table 14](#), [Table 15](#) and [Table 16](#) are derived from tests performed under ambient temperature and V_{DD} supply voltage conditions summarized in [Table 10](#).

Table 14. Maximum current consumption in Run mode, code with data processing running from Flash

Symbol	Parameter	Conditions	f _{HCLK}	Max ⁽¹⁾		Unit
				T _A = 85 °C	T _A = 105 °C	
I _{DD}	Supply current in Run mode	External clock ⁽²⁾ , all peripherals enabled	72 MHz	69	70	mA
			48 MHz	50	50.5	
			36 MHz	39	39.5	
			24 MHz	27	28	
			16 MHz	20	20.5	
			8 MHz	11	11.5	
		External clock ⁽²⁾ , all peripherals disabled	72 MHz	37	37.5	
			48 MHz	28	28.5	
			36 MHz	22	22.5	
			24 MHz	16.5	17	
			16 MHz	12.5	13	
			8 MHz	8	8	

1. Based on characterization, not tested in production.
2. External clock is 8 MHz and PLL is on when f_{HCLK} > 8 MHz.

Table 15. Maximum current consumption in Run mode, code with data processing running from RAM

Symbol	Parameter	Conditions	f _{HCLK}	Max ⁽¹⁾		Unit
				T _A = 85 °C	T _A = 105 °C	
I _{DD}	Supply current in Run mode	External clock ⁽²⁾ , all peripherals enabled	72 MHz	66	67	mA
			48 MHz	43.5	45.5	
			36 MHz	33	35	
			24 MHz	23	24.5	
			16 MHz	16	18	
			8 MHz	9	10.5	
		External clock ⁽²⁾ , all peripherals disabled	72 MHz	33	33.5	
			48 MHz	23	23.5	
			36 MHz	18	18.5	
			24 MHz	13	13.5	
			16 MHz	10	10.5	
			8 MHz	6	6.5	

1. Data based on characterization results, tested in production at V_{DD} max, f_{HCLK} max.
2. External clock is 8 MHz and PLL is on when f_{HCLK} > 8 MHz.

Figure 14. Typical current consumption in Run mode versus frequency (at 3.6 V) - code with data processing running from RAM, peripherals enabled

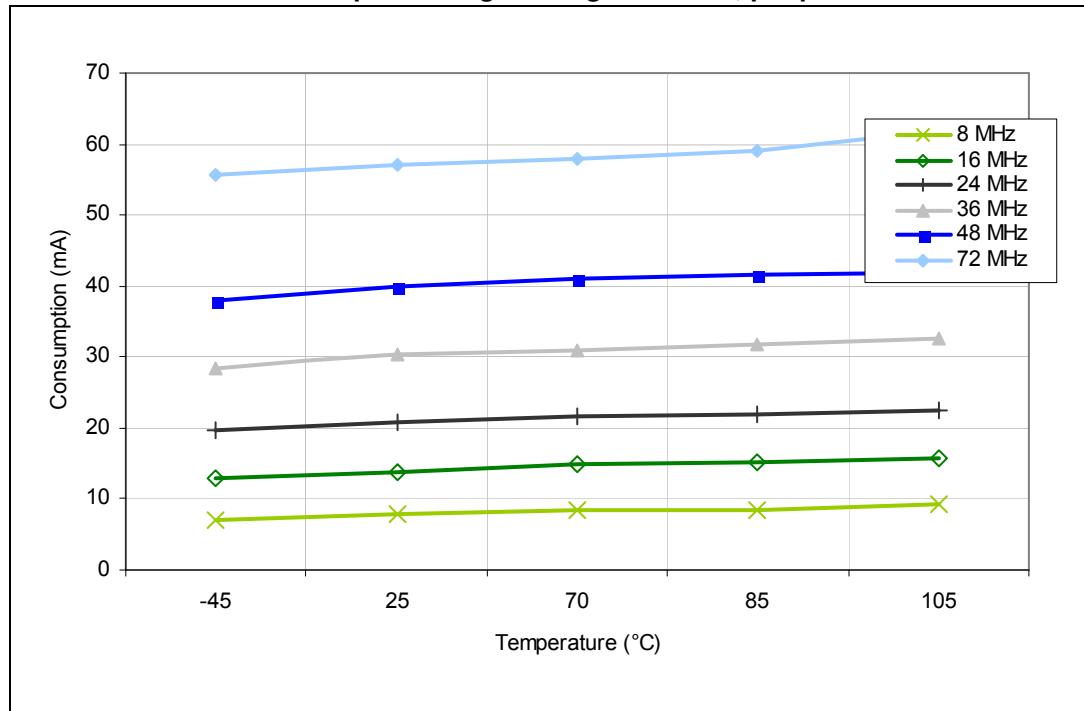


Figure 15. Typical current consumption in Run mode versus frequency (at 3.6 V) - code with data processing running from RAM, peripherals disabled

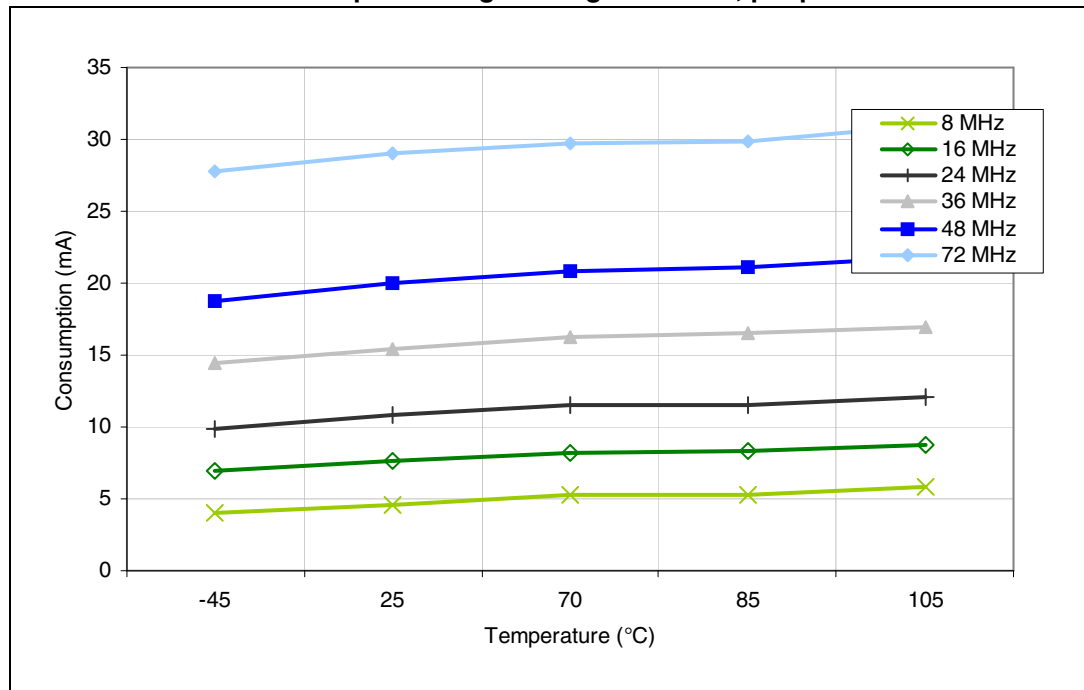


Table 16. Maximum current consumption in Sleep mode, code running from Flash or RAM

Symbol	Parameter	Conditions	f _{HCLK}	Max ⁽¹⁾		Unit
				T _A = 85 °C	T _A = 105 °C	
I _{DD}	Supply current in Sleep mode	External clock ⁽²⁾ , all peripherals enabled	72 MHz	45	46	mA
			48 MHz	31	32	
			36 MHz	24	25	
			24 MHz	17	17.5	
			16 MHz	12.5	13	
			8 MHz	8	8	
		External clock ⁽²⁾ , all peripherals disabled	72 MHz	8.5	9	
			48 MHz	7	7.5	
			36 MHz	6	6.5	
			24 MHz	5	5.5	
			16 MHz	4.5	5	
			8 MHz	4	4	

1. Based on characterization, tested in production at V_{DD} max, f_{HCLK} max with peripherals enabled.

2. External clock is 8 MHz and PLL is on when f_{HCLK} > 8 MHz.

Table 17. Typical and maximum current consumptions in Stop and Standby modes

Symbol	Parameter	Conditions	Typ ⁽¹⁾			Max		Unit
			V _{DD} /V _{BAT} = 2.0 V	V _{DD} /V _{BAT} = 2.4 V	V _{DD} /V _{BAT} = 3.3 V	T _A = 85 °C	T _A = 105 °C	
I _{DD}	Supply current in Stop mode	Regulator in run mode, low-speed and high-speed internal RC oscillators and high-speed oscillator OFF (no independent watchdog)		34.5	35	379	1130	μA
		Regulator in low-power mode, low-speed and high-speed internal RC oscillators and high-speed oscillator OFF (no independent watchdog)		24.5	25	365	1110	
	Supply current in Standby mode	Low-speed internal RC oscillator and independent watchdog ON		3	3.8	-	-	
		Low-speed internal RC oscillator ON, independent watchdog OFF		2.8	3.6	-	-	
		Low-speed internal RC oscillator and independent watchdog OFF, low-speed oscillator and RTC OFF		1.9	2.1	5 ⁽²⁾	6.5 ⁽²⁾	
I _{DD_VBAT}	Backup domain supply current	Low-speed oscillator and RTC ON	1.05	1.1	1.4	2 ⁽²⁾	2.3 ⁽²⁾	

1. Typical values are measured at T_A = 25 °C.
2. Based on characterization, not tested in production.

Figure 16. Typical current consumption on V_{BAT} with RTC on vs. temperature at different V_{BAT} values

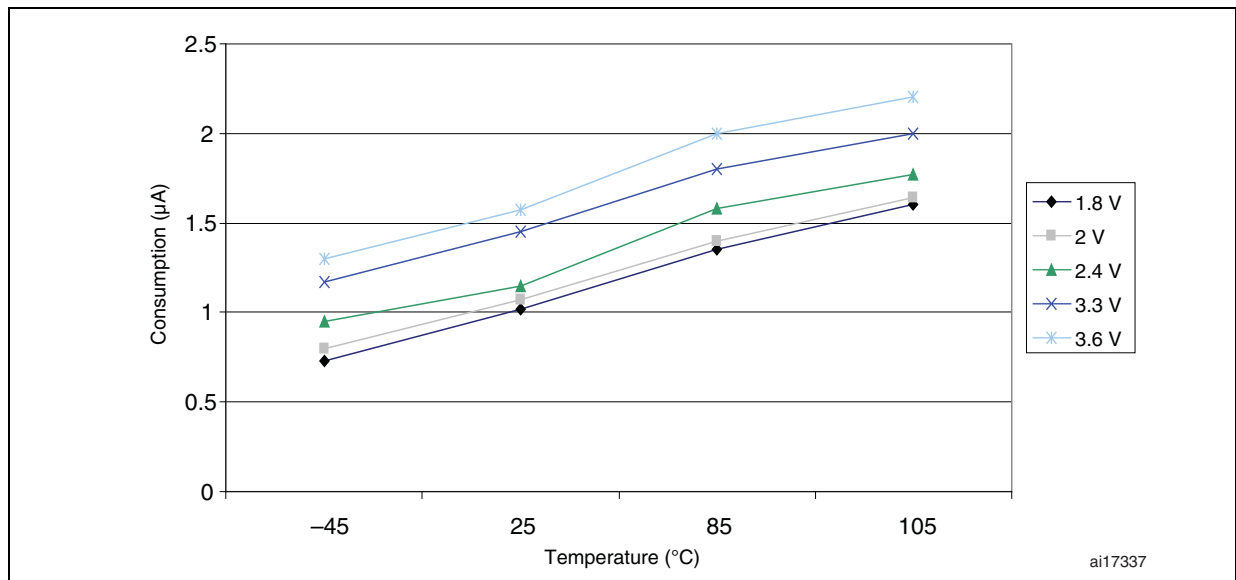


Figure 17. Typical current consumption in Stop mode with regulator in run mode versus temperature at different V_{DD} values

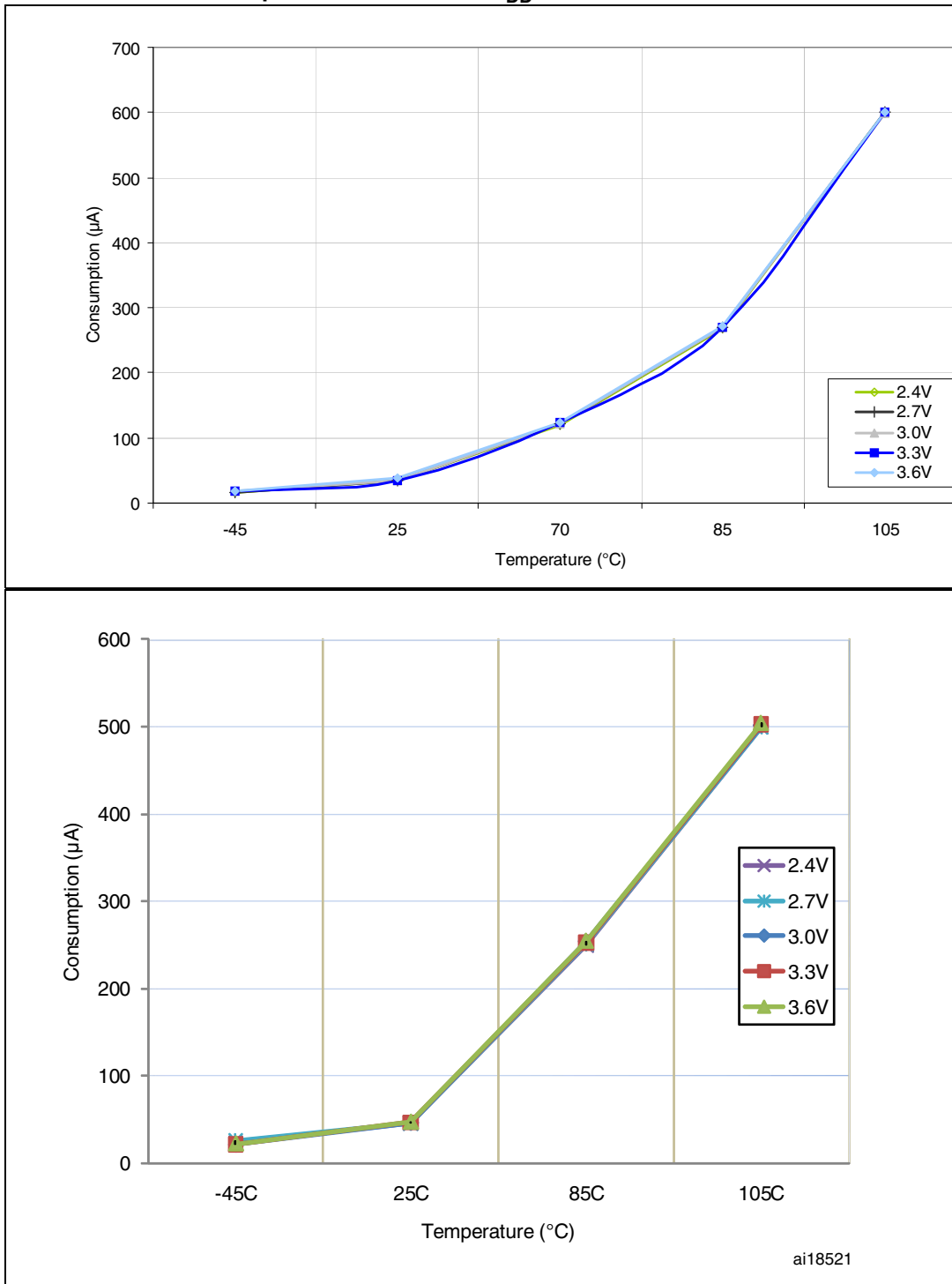


Figure 18. Typical current consumption in Stop mode with regulator in low-power mode versus temperature at different V_{DD} values

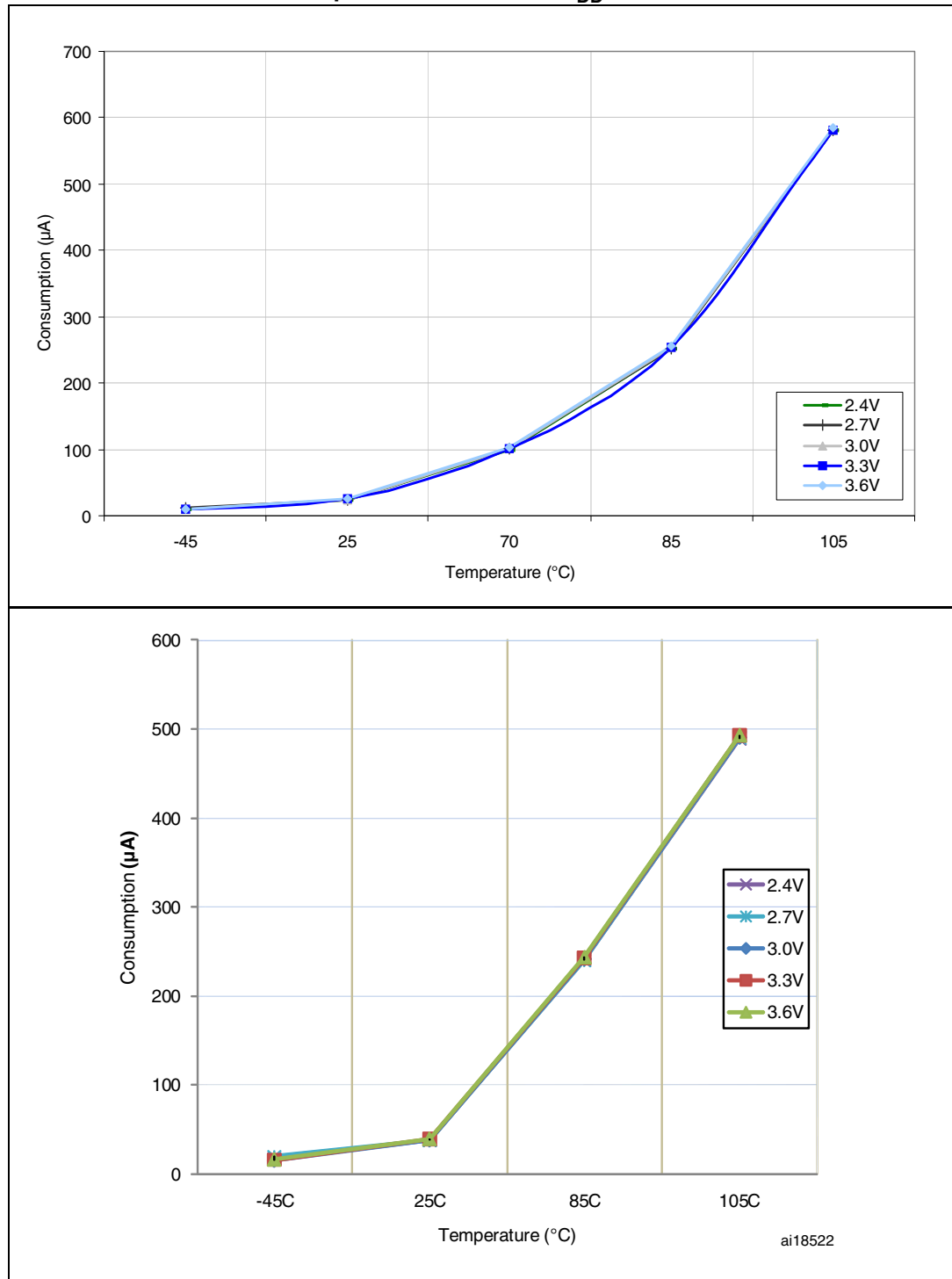
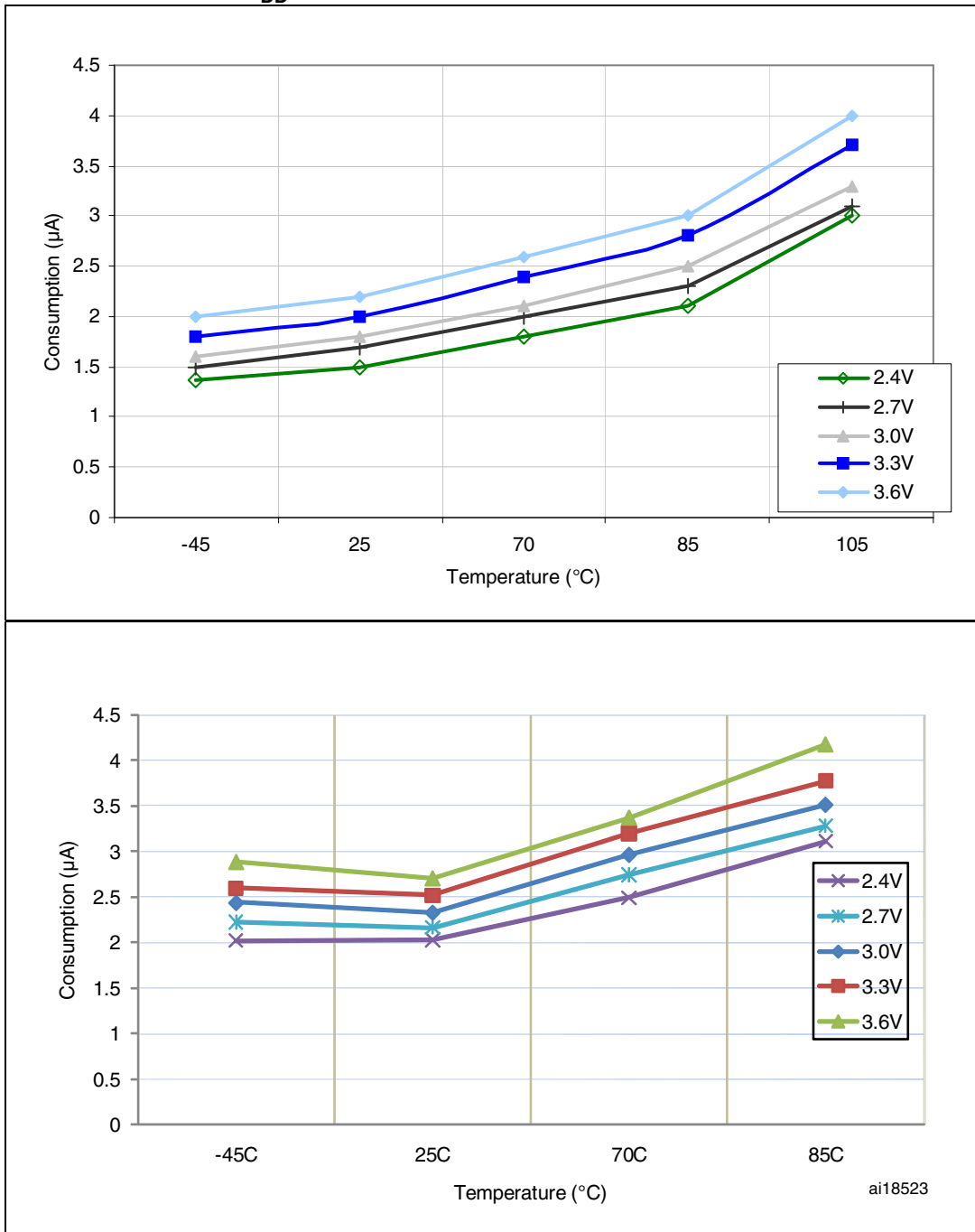


Figure 19. Typical current consumption in Standby mode versus temperature at different V_{DD} values



Typical current consumption

The MCU is placed under the following conditions:

- All I/O pins are in input mode with a static value at V_{DD} or V_{SS} (no load).
 - All peripherals are disabled except if it is explicitly mentioned.
 - The Flash access time is adjusted to f_{HCLK} frequency (0 wait state from 0 to 24 MHz, 1 wait state from 24 to 48 MHz and 2 wait states above).
 - Ambient temperature and V_{DD} supply voltage conditions summarized in [Table 10](#).
 - Prefetch is ON (Reminder: this bit must be set before clock setting and bus prescaling)
- When the peripherals are enabled f_{PCLK1} = f_{HCLK}/4, f_{PCLK2} = f_{HCLK}/2, f_{ADCCLK} = f_{PCLK2}/4

Table 18. Typical current consumption in Run mode, code with data processing running from Flash

Symbol	Parameter	Conditions	f _{HCLK}	Typ ⁽¹⁾		Unit
				All peripherals enabled ⁽²⁾	All peripherals disabled	
I _{DD}	Supply current in Run mode	External clock ⁽³⁾	72 MHz	51	30.5	mA
			48 MHz	34.6	20.7	
			36 MHz	26.6	16.2	
			24 MHz	18.5	11.4	
			16 MHz	12.8	8.2	
			8 MHz	7.2	5	
			4 MHz	4.2	3.1	
			2 MHz	2.7	2.1	
			1 MHz	2	1.7	
			500 kHz	1.6	1.4	
		125 kHz	1.3	1.2		
		Running on high speed internal RC (HSI), AHB prescaler used to reduce the frequency	64 MHz	45	27	mA
			48 MHz	34	20.1	
			36 MHz	26	15.6	
			24 MHz	17.9	10.8	
			16 MHz	12.2	7.6	
			8 MHz	6.6	4.4	
			4 MHz	3.6	2.5	
			2 MHz	2.1	1.5	
			1 MHz	1.4	1.1	
500 kHz	1		0.8			
125 kHz	0.7	0.6				

1. Typical values are measures at T_A = 25 °C, V_{DD} = 3.3 V.
2. Add an additional power consumption of 0.8 mA per ADC for the analog part. In applications, this consumption occurs only while the ADC is on (ADON bit is set in the ADC_CR2 register).
3. External clock is 8 MHz and PLL is on when f_{HCLK} > 8 MHz.

Table 19. Typical current consumption in Sleep mode, code running from Flash or RAM

Symbol	Parameter	Conditions	f _{HCLK}	Typ ⁽¹⁾		Unit
				All peripherals enabled ⁽²⁾	All peripherals disabled	
I _{DD}	Supply current in Sleep mode	External clock ⁽³⁾	72 MHz	29.5	6.4	mA
			48 MHz	20	4.6	
			36 MHz	15.1	3.6	
			24 MHz	10.4	2.6	
			16 MHz	7.2	2	
			8 MHz	3.9	1.3	
			4 MHz	2.6	1.2	
			2 MHz	1.85	1.15	
			1 MHz	1.5	1.1	
			500 kHz	1.3	1.05	
			125 kHz	1.2	1.05	
		Running on high speed internal RC (HSI), AHB prescaler used to reduce the frequency	64 MHz	25.6	5.1	
			48 MHz	19.4	4	
			36 MHz	14.5	3	
			24 MHz	9.8	2	
			16 MHz	6.6	1.4	
			8 MHz	3.3	0.7	
			4 MHz	2	0.6	
			2 MHz	1.25	0.55	
			1 MHz	0.9	0.5	
			500 kHz	0.7	0.45	
			125 kHz	0.6	0.45	

1. Typical values are measures at T_A = 25 °C, V_{DD} = 3.3 V.
2. Add an additional power consumption of 0.8 mA per ADC for the analog part. In applications, this consumption occurs only while the ADC is on (ADON bit is set in the ADC_CR2 register).
3. External clock is 8 MHz and PLL is on when f_{HCLK} > 8 MHz.

On-chip peripheral current consumption

The current consumption of the on-chip peripherals is given in [Table 20](#). The MCU is placed under the following conditions:

- all I/O pins are in input mode with a static value at V_{DD} or V_{SS} (no load)
- all peripherals are disabled unless otherwise mentioned
- the given value is calculated by measuring the current consumption
 - with all peripherals clocked off
 - with only one peripheral clocked on
- ambient operating temperature and V_{DD} supply voltage conditions summarized in [Table 7](#)

Table 20. Peripheral current consumption⁽¹⁾

Peripheral		Typical consumption at 25 °C	Unit
APB1	TIM2	1.2	mA
	TIM3	1.2	
	TIM4	1.2	
	TIM5	1.2	
	TIM6	0.4	
	TIM7	0.4	
	SPI2	0.2	
	SPI3	0.2	
	USART2	0.4	
	USART3	0.4	
	UART4	0.5	
	UART5	0.6	
	I2C1	0.4	
	I2C2	0.4	
	USB	0.65	
	CAN	0.72	
DAC	0.72		

Table 20. Peripheral current consumption⁽¹⁾ (continued)

Peripheral		Typical consumption at 25 °C	Unit
APB2	GPIOA	0.55	mA
	GPIOB	0.72	
	GPIOC	0.72	
	GIOD	0.55	
	GPIOE	1	
	GPIOF	0.72	
	GPIOG	1	
	ADC1 ⁽²⁾	1.9	
	ADC2	1.7	
	TIM1	1.8	
	SPI1	0.4	
	TIM8	1.7	
	USART1	0.9	
	ADC3	1.7	

1. $f_{HCLK} = 72 \text{ MHz}$, $f_{APB1} = f_{HCLK}/2$, $f_{APB2} = f_{HCLK}$, default prescaler value for each peripheral.
2. Specific conditions for ADC: $f_{HCLK} = 56 \text{ MHz}$, $f_{APB1} = f_{HCLK}/2$, $f_{APB2} = f_{HCLK}$, $f_{ADCLK} = f_{APB2}/4$, ADON bit in the ADC_CR2 register is set to 1.

5.3.6 External clock source characteristics

High-speed external user clock generated from an external source

The characteristics given in [Table 21](#) result from tests performed using an high-speed external clock source, and under ambient temperature and supply voltage conditions summarized in [Table 10](#).

Table 21. High-speed external user clock characteristics

Symbol	Parameter	Conditions	Min	Typ	Max	Unit
f_{HSE_ext}	User external clock source frequency ⁽¹⁾		1	8	25	MHz
V_{HSEH}	OSC_IN input pin high level voltage		$0.7V_{DD}$		V_{DD}	V
V_{HSEL}	OSC_IN input pin low level voltage		V_{SS}		$0.3V_{DD}$	
$t_{w(HSE)}$ $t_{w(HSE)}$	OSC_IN high or low time ⁽¹⁾		5			ns
$t_{r(HSE)}$ $t_{f(HSE)}$	OSC_IN rise or fall time ⁽¹⁾				20	
$C_{in(HSE)}$	OSC_IN input capacitance ⁽¹⁾			5		pF
DuCy _(HSE)	Duty cycle		45		55	%
I_L	OSC_IN Input leakage current	$V_{SS} \leq V_{IN} \leq V_{DD}$			± 1	μA

1. Guaranteed by design, not tested in production.

Low-speed external user clock generated from an external source

The characteristics given in [Table 22](#) result from tests performed using an low-speed external clock source, and under ambient temperature and supply voltage conditions summarized in [Table 10](#).

Table 22. Low-speed external user clock characteristics

Symbol	Parameter	Conditions	Min	Typ	Max	Unit
f_{LSE_ext}	User External clock source frequency ⁽¹⁾			32.768	1000	kHz
V_{LSEH}	OSC32_IN input pin high level voltage		$0.7V_{DD}$		V_{DD}	V
V_{LSEL}	OSC32_IN input pin low level voltage		V_{SS}		$0.3V_{DD}$	
$t_{w(LSE)}$ $t_{w(LSE)}$	OSC32_IN high or low time ⁽¹⁾		450			ns
$t_{r(LSE)}$ $t_{f(LSE)}$	OSC32_IN rise or fall time ⁽¹⁾				50	
$C_{in(LSE)}$	OSC32_IN input capacitance ⁽¹⁾			5		pF
DuCy(LSE)	Duty cycle		30		70	%
I_L	OSC32_IN Input leakage current	$V_{SS} \leq V_{IN} \leq V_D$			± 1	μA

1. Guaranteed by design, not tested in production.

Figure 20. High-speed external clock source AC timing diagram

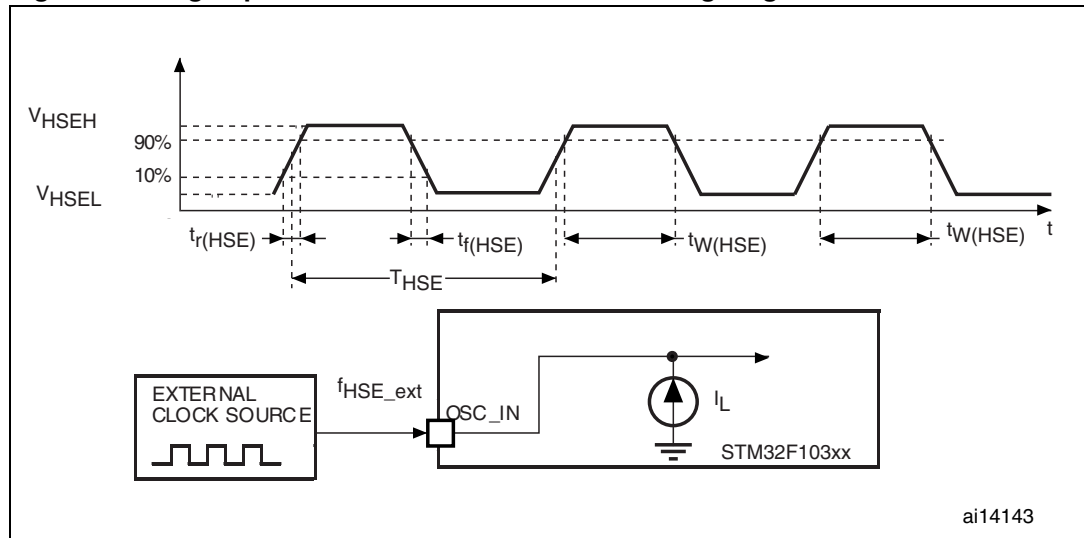
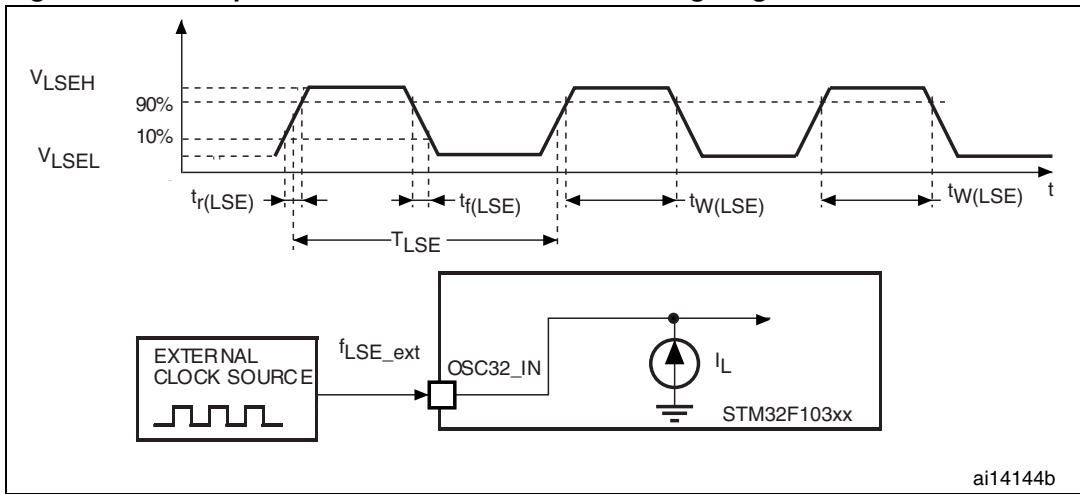


Figure 21. Low-speed external clock source AC timing diagram



High-speed external clock generated from a crystal/ceramic resonator

The high-speed external (HSE) clock can be supplied with a 4 to 16 MHz crystal/ceramic resonator oscillator. All the information given in this paragraph are based on characterization results obtained with typical external components specified in [Table 23](#). In the application, the resonator and the load capacitors have to be placed as close as possible to the oscillator pins in order to minimize output distortion and startup stabilization time. Refer to the crystal resonator manufacturer for more details on the resonator characteristics (frequency, package, accuracy).

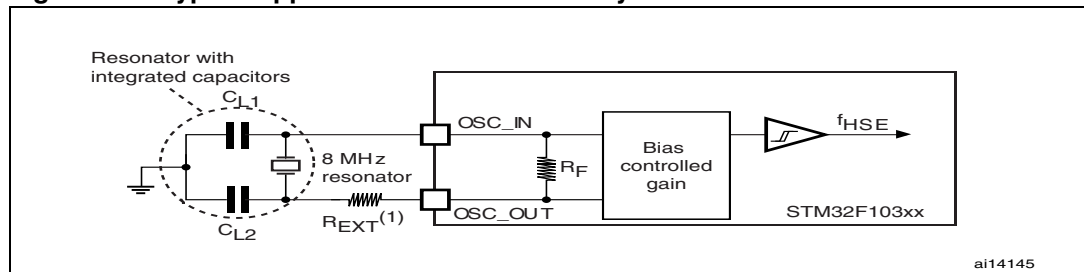
Table 23. HSE 4-16 MHz oscillator characteristics⁽¹⁾⁽²⁾

Symbol	Parameter	Conditions	Min	Typ	Max	Unit
f_{OSC_IN}	Oscillator frequency		4	8	16	MHz
R_F	Feedback resistor			200		k Ω
C	Recommended load capacitance versus equivalent serial resistance of the crystal (R_S) ⁽³⁾	$R_S = 30 \Omega$		30		pF
i_2	HSE driving current	$V_{DD} = 3.3 V, V_{IN} = V_{SS}$ with 30 pF load			1	mA
g_m	Oscillator transconductance	Startup	25			mA/V
$t_{SU(HSE)}$ ⁽⁴⁾	Startup time	V_{DD} is stabilized		2		ms

1. Resonator characteristics given by the crystal/ceramic resonator manufacturer.
2. Based on characterization results, not tested in production.
3. The relatively low value of the R_F resistor offers a good protection against issues resulting from use in a humid environment, due to the induced leakage and the bias condition change. However, it is recommended to take this point into account if the MCU is used in tough humidity conditions.
4. $t_{SU(HSE)}$ is the startup time measured from the moment it is enabled (by software) to a stabilized 8 MHz oscillation is reached. This value is measured for a standard crystal resonator and it can vary significantly with the crystal manufacturer

For C_{L1} and C_{L2} , it is recommended to use high-quality external ceramic capacitors in the 5 pF to 25 pF range (typ.), designed for high-frequency applications, and selected to match the requirements of the crystal or resonator (see [Figure 22](#)). C_{L1} and C_{L2} are usually the same size. The crystal manufacturer typically specifies a load capacitance which is the series combination of C_{L1} and C_{L2} . PCB and MCU pin capacitance must be included (10 pF can be used as a rough estimate of the combined pin and board capacitance) when sizing C_{L1} and C_{L2} . Refer to the application note AN2867 "Oscillator design guide for ST microcontrollers" available from the ST website www.st.com.

Figure 22. Typical application with an 8 MHz crystal



1. R_{EXT} value depends on the crystal characteristics.

Low-speed external clock generated from a crystal/ceramic resonator

The low-speed external (LSE) clock can be supplied with a 32.768 kHz crystal/ceramic resonator oscillator. All the information given in this paragraph are based on characterization results obtained with typical external components specified in [Table 24](#). In the application, the resonator and the load capacitors have to be placed as close as possible to the oscillator pins in order to minimize output distortion and startup stabilization time. Refer to the crystal resonator manufacturer for more details on the resonator characteristics (frequency, package, accuracy).

Table 24. LSE oscillator characteristics ($f_{LSE} = 32.768$ kHz)⁽¹⁾ ⁽²⁾

Symbol	Parameter	Conditions	Min	Typ	Max	Unit	
R_F	Feedback resistor			5		M Ω	
C_{L1}, C_{L2}	Recommended load capacitance versus equivalent serial resistance of the crystal (R_S)	$R_S = 30$ k Ω			15	pF	
I_2	LSE driving current	$V_{DD} = 3.3$ V, $V_{IN} = V_{SS}$			1.4	μ A	
g_m	Oscillator transconductance		5			μ A/V	
$t_{SU(LSE)}$ ⁽³⁾	Startup time	V_{DD} is stabilized	$T_A = 50$ °C		1.5		s
			$T_A = 25$ °C		2.5		
			$T_A = 10$ °C		4		
			$T_A = 0$ °C		6		
			$T_A = -10$ °C		10		
			$T_A = -20$ °C		17		
			$T_A = -30$ °C		32		
			$T_A = -40$ °C		60		

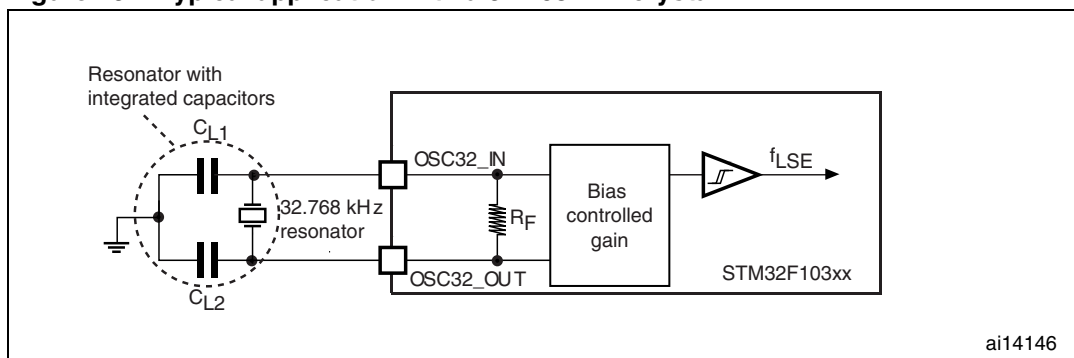
1. Based on characterization, not tested in production.
2. Refer to the note and caution paragraphs below the table, and to the application note AN2867 "Oscillator design guide for ST microcontrollers".
3. $t_{SU(LSE)}$ is the startup time measured from the moment it is enabled (by software) to a stabilized 32.768 kHz oscillation is reached. This value is measured for a standard crystal and it can vary significantly with the crystal manufacturer

Note: For C_{L1} and C_{L2} , it is recommended to use high-quality ceramic capacitors in the 5 pF to 15 pF range selected to match the requirements of the crystal or resonator (see [Figure 23](#)). C_{L1} and C_{L2} are usually the same size. The crystal manufacturer typically specifies a load capacitance which is the series combination of C_{L1} and C_{L2} . Load capacitance C_L has the following formula: $C_L = C_{L1} \times C_{L2} / (C_{L1} + C_{L2}) + C_{stray}$ where C_{stray} is the pin capacitance and board or trace PCB-related capacitance. Typically, it is between 2 pF and 7 pF.

Caution: To avoid exceeding the maximum value of C_{L1} and C_{L2} (15 pF) it is strongly recommended to use a resonator with a load capacitance $C_L \leq 7$ pF. Never use a resonator with a load capacitance of 12.5 pF.

Example: if you choose a resonator with a load capacitance of $C_L = 6$ pF, and $C_{stray} = 2$ pF, then $C_{L1} = C_{L2} = 8$ pF.

Figure 23. Typical application with a 32.768 kHz crystal



ai14146

5.3.7 Internal clock source characteristics

The parameters given in [Table 25](#) are derived from tests performed under ambient temperature and V_{DD} supply voltage conditions summarized in [Table 10](#).

High-speed internal (HSI) RC oscillator

Table 25. HSI oscillator characteristics⁽¹⁾

Symbol	Parameter	Conditions	Min	Typ	Max	Unit	
f_{HSI}	Frequency			8		MHz	
$DuCy_{(HSI)}$	Duty cycle		45		55	%	
ACC_{HSI}	Accuracy of the HSI oscillator	User-trimmed with the RCC_CR register ⁽²⁾			1 ⁽³⁾	%	
		Factory-calibrated ⁽⁴⁾	$T_A = -40$ to 105 °C	-2		2.5	%
			$T_A = -10$ to 85 °C	-1.5		2.2	%
			$T_A = 0$ to 70 °C	-1.3		2	%
	$T_A = 25$ °C	-1.1		1.8	%		
$t_{su(HSI)}$ ⁽⁴⁾	HSI oscillator startup time		1		2	μs	
$I_{DD(HSI)}$ ⁽⁴⁾	HSI oscillator power consumption			80	100	μA	

- $V_{DD} = 3.3$ V, $T_A = -40$ to 105 °C unless otherwise specified.
- Refer to application note AN2868 “STM32F10xxx internal RC oscillator (HSI) calibration” available from the ST website www.st.com.
- Guaranteed by design, not tested in production.
- Based on characterization, not tested in production.

Low-speed internal (LSI) RC oscillator

Table 26. LSI oscillator characteristics⁽¹⁾

Symbol	Parameter	Min	Typ	Max	Unit
f_{LSI} ⁽²⁾	Frequency	30	40	60	kHz

Table 26. LSI oscillator characteristics (1)

Symbol	Parameter	Min	Typ	Max	Unit
$t_{su(LSI)}^{(3)}$	LSI oscillator startup time			85	μs
$I_{DD(LSI)}^{(3)}$	LSI oscillator power consumption		0.65	1.2	μA

1. $V_{DD} = 3 V$, $T_A = -40$ to 105 °C unless otherwise specified.
2. Based on characterization, not tested in production.
3. Guaranteed by design, not tested in production.

Wakeup time from low-power mode

The wakeup times given in [Table 27](#) is measured on a wakeup phase with a 8-MHz HSI RC oscillator. The clock source used to wake up the device depends from the current operating mode:

- Stop or Standby mode: the clock source is the RC oscillator
- Sleep mode: the clock source is the clock that was set before entering Sleep mode.

All timings are derived from tests performed under ambient temperature and V_{DD} supply voltage conditions summarized in [Table 10](#).

Table 27. Low-power mode wakeup timings

Symbol	Parameter	Typ	Unit
$t_{WUSLEEP}^{(1)}$	Wakeup from Sleep mode	1.8	μs
$t_{WUSTOP}^{(1)}$	Wakeup from Stop mode (regulator in run mode)	3.6	μs
	Wakeup from Stop mode (regulator in low power mode)	5.4	
$t_{WUSTDBY}^{(1)}$	Wakeup from Standby mode	50	μs

1. The wakeup times are measured from the wakeup event to the point in which the user application code reads the first instruction.

5.3.8 PLL characteristics

The parameters given in [Table 28](#) are derived from tests performed under ambient temperature and V_{DD} supply voltage conditions summarized in [Table 10](#).

Table 28. PLL characteristics

Symbol	Parameter	Value			Unit
		Min	Typ	Max ⁽¹⁾	
f_{PLL_IN}	PLL input clock ⁽²⁾	1	8.0	25	MHz
	PLL input clock duty cycle	40		60	%
f_{PLL_OUT}	PLL multiplier output clock	16		72	MHz
t_{LOCK}	PLL lock time			200	μ s
Jitter	Cycle-to-cycle jitter			300	ps

1. Based on characterization, not tested in production.
2. Take care of using the appropriate multiplier factors so as to have PLL input clock values compatible with the range defined by f_{PLL_OUT} .

5.3.9 Memory characteristics

Flash memory

The characteristics are given at $T_A = -40$ to 105 °C unless otherwise specified.

Table 29. Flash memory characteristics

Symbol	Parameter	Conditions	Min	Typ	Max ⁽¹⁾	Unit
t_{prog}	16-bit programming time	$T_A = -40$ to $+105$ °C	40	52.5	70	μ s
t_{ERASE}	Page (2 KB) erase time	$T_A = -40$ to $+105$ °C	20		40	ms
t_{ME}	Mass erase time	$T_A = -40$ to $+105$ °C	20		40	ms
I_{DD}	Supply current	Read mode $f_{HCLK} = 72$ MHz with 2 wait states, $V_{DD} = 3.3$ V			28	mA
		Write mode $f_{HCLK} = 72$ MHz, $V_{DD} = 3.3$ V			7	mA
		Erase mode $f_{HCLK} = 72$ MHz, $V_{DD} = 3.3$ V			5	mA
		Power-down mode / Halt, $V_{DD} = 3.0$ to 3.6 V			50	μ A
V_{prog}	Programming voltage		2		3.6	V

1. Guaranteed by design, not tested in production.

Table 30. Flash memory endurance and data retention

Symbol	Parameter	Conditions	Value	Unit
			Min ⁽¹⁾	
N _{END}	Endurance	T _A = -40 to +85 °C (6 suffix versions) T _A = -40 to +105 °C (7 suffix versions)	10	kcycles
t _{RET}	Data retention	1 kcycle ⁽²⁾ at T _A = 85 °C	30	Years
		1 kcycle ⁽²⁾ at T _A = 105 °C	10	
		10 kcycles ⁽²⁾ at T _A = 55 °C	20	

1. Based on characterization not tested in production.
2. Cycling performed over the whole temperature range.

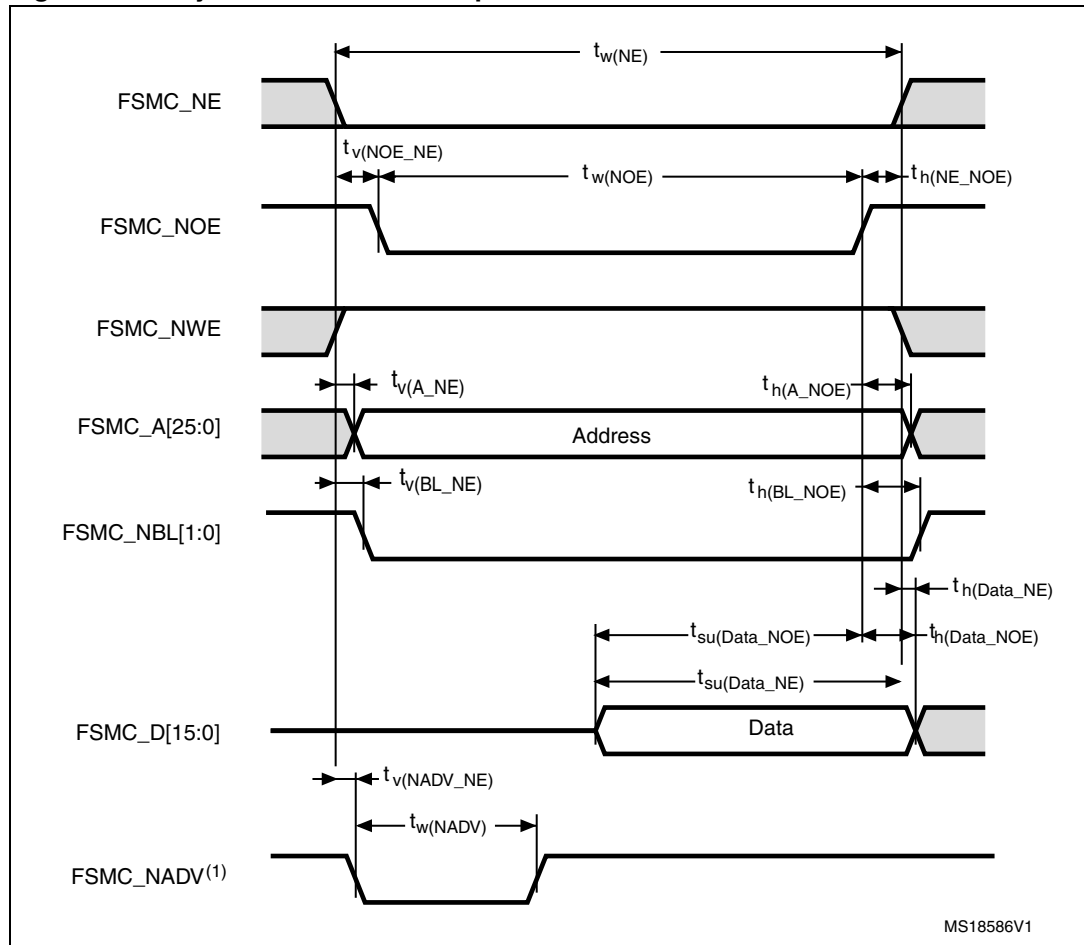
5.3.10 FSMC characteristics

Asynchronous waveforms and timings

Figure 24 through Figure 27 represent asynchronous waveforms and Table 31 through Table 34 provide the corresponding timings. The results shown in these tables are obtained with the following FSMC configuration:

- AddressSetupTime = 0
- AddressHoldTime = 1
- DataSetupTime = 1

Figure 24. Asynchronous non-multiplexed SRAM/PSRAM/NOR read waveforms



1. Mode 2/B, C and D only. In Mode 1, FSMC_NADV is not used.

Table 31. Asynchronous non-multiplexed SRAM/PSRAM/NOR read timings^{(1) (2)}

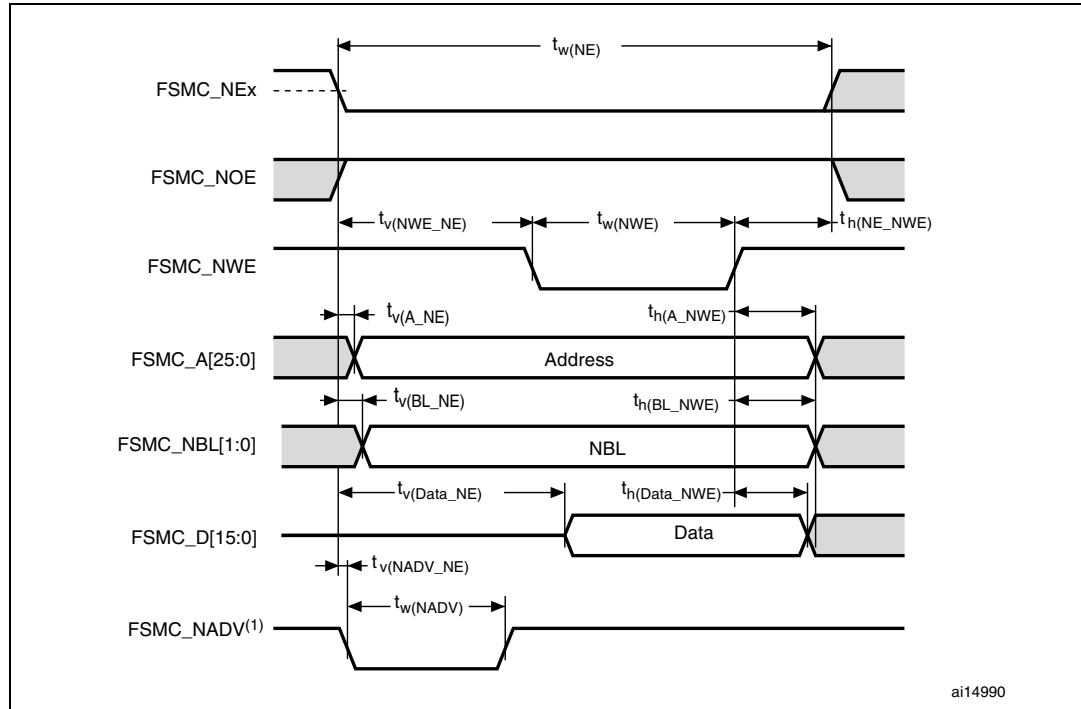
Symbol	Parameter	Min	Max	Unit
$t_{w(NE)}$	FSMC_NE low time	$5t_{HCLK} - 1.5$	$5t_{HCLK} + 2$	ns
$t_{v(NOE_NE)}$	FSMC_NEx low to FSMC_NOE low	0.5	1.5	ns
$t_{w(NOE)}$	FSMC_NOE low time	$5t_{HCLK} - 1.5$	$5t_{HCLK} + 1.5$	ns
$t_{h(NE_NOE)}$	FSMC_NOE high to FSMC_NE high hold time	-1.5		ns
$t_{v(A_NE)}$	FSMC_NEx low to FSMC_A valid		0	ns
$t_{h(A_NOE)}$	Address hold time after FSMC_NOE high	0.1		ns
$t_{v(BL_NE)}$	FSMC_NEx low to FSMC_BL valid		0	ns
$t_{h(BL_NOE)}$	FSMC_BL hold time after FSMC_NOE high	0		ns
$t_{su(Data_NE)}$	Data to FSMC_NEx high setup time	$2t_{HCLK} + 25$		ns
$t_{su(Data_NOE)}$	Data to FSMC_NOEx high setup time	$2t_{HCLK} + 25$		ns
$t_{h(Data_NOE)}$	Data hold time after FSMC_NOE high	0		ns
$t_{h(Data_NE)}$	Data hold time after FSMC_NEx high	0		ns

Table 31. Asynchronous non-multiplexed SRAM/PSRAM/NOR read timings^{(1) (2)}

Symbol	Parameter	Min	Max	Unit
$t_{v(NADV_NE)}$	FSMC_NEx low to FSMC_NADV low		5	ns
$t_{w(NADV)}$	FSMC_NADV low time		$t_{HCLK} + 1.5$	ns

1. $C_L = 15$ pF.
2. Based on characterisation, not tested in production.

Figure 25. Asynchronous non-multiplexed SRAM/PSRAM/NOR write waveforms



1. Mode 2/B, C and D only. In Mode 1, FSMC_NADV is not used.

Table 32. Asynchronous non-multiplexed SRAM/PSRAM/NOR write timings⁽¹⁾⁽²⁾

Symbol	Parameter	Min	Max	Unit
$t_{w(NE)}$	FSMC_NE low time	$3t_{HCLK} - 1$	$3t_{HCLK} + 2$	ns
$t_{v(NWE_NE)}$	FSMC_NEx low to FSMC_NWE low	$t_{HCLK} - 0.5$	$t_{HCLK} + 1.5$	ns
$t_{w(NWE)}$	FSMC_NWE low time	$t_{HCLK} - 0.5$	$t_{HCLK} + 1.5$	ns
$t_{h(NE_NWE)}$	FSMC_NWE high to FSMC_NE high hold time	t_{HCLK}		ns
$t_{v(A_NE)}$	FSMC_NEx low to FSMC_A valid		7.5	ns
$t_{h(A_NWE)}$	Address hold time after FSMC_NWE high	t_{HCLK}		ns
$t_{v(BL_NE)}$	FSMC_NEx low to FSMC_NBL valid		1.5	ns
$t_{h(BL_NWE)}$	FSMC_NBL hold time after FSMC_NWE high	$t_{HCLK} - 0.5$		ns
$t_{v(Data_NE)}$	FSMC_NEx low to Data valid		$t_{HCLK} + 7$	ns
$t_{h(Data_NWE)}$	Data hold time after FSMC_NWE high	t_{HCLK}		ns

Table 32. Asynchronous non-multiplexed SRAM/PSRAM/NOR write timings⁽¹⁾⁽²⁾

Symbol	Parameter	Min	Max	Unit
$t_{v(NADV_NE)}$	FSMC_NEx low to FSMC_NADV low		5.5	ns
$t_{w(NADV)}$	FSMC_NADV low time		$t_{HCLK} + 1.5$	ns

1. $C_L = 15$ pF.
2. Based on characterisation, not tested in production.

Figure 26. Asynchronous multiplexed PSRAM/NOR read waveforms

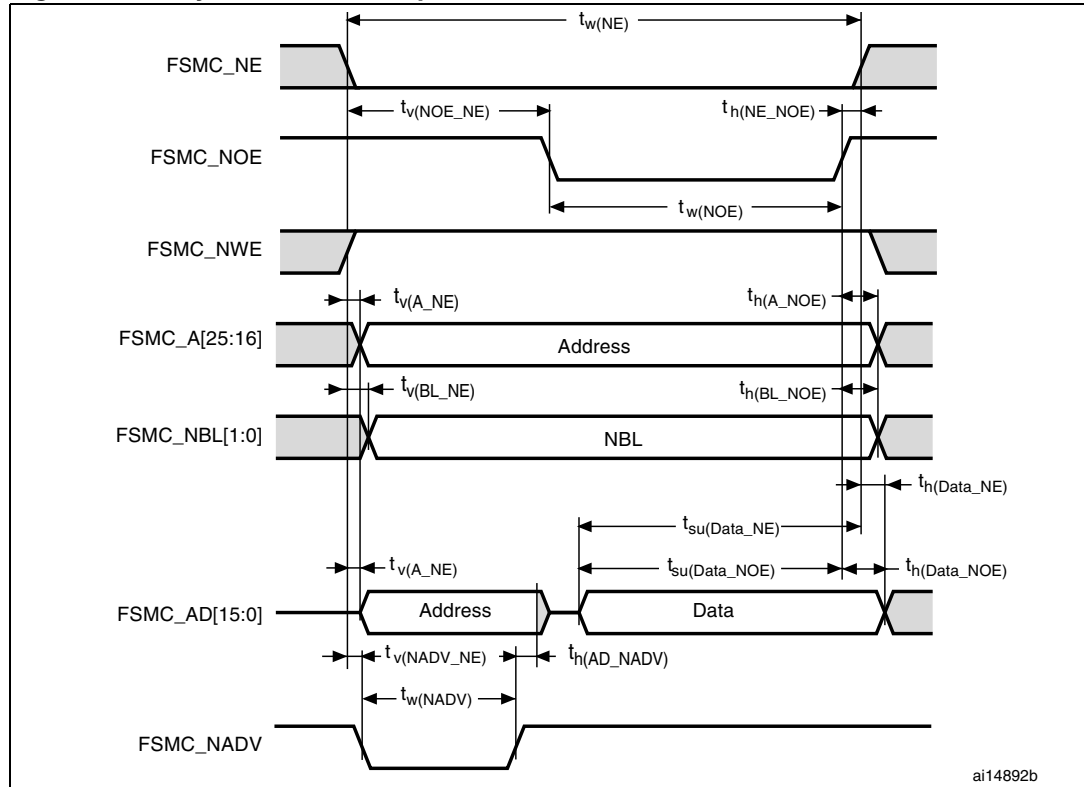


Table 33. Asynchronous multiplexed PSRAM/NOR read timings⁽¹⁾⁽²⁾

Symbol	Parameter	Min	Max	Unit
$t_{w(NE)}$	FSMC_NE low time	$7t_{HCLK} - 2$	$7t_{HCLK} + 2$	ns
$t_{v(NOE_NE)}$	FSMC_NEx low to FSMC_NOE low	$3t_{HCLK} - 0.5$	$3t_{HCLK} + 1.5$	ns
$t_{w(NOE)}$	FSMC_NOE low time	$4t_{HCLK} - 1$	$4t_{HCLK} + 2$	ns
$t_{h(NE_NOE)}$	FSMC_NOE high to FSMC_NE high hold time	-1		ns
$t_{v(A_NE)}$	FSMC_NEx low to FSMC_A valid		0	ns
$t_{v(NADV_NE)}$	FSMC_NEx low to FSMC_NADV low	3	5	ns
$t_{w(NADV)}$	FSMC_NADV low time	$t_{HCLK} - 1.5$	$t_{HCLK} + 1.5$	ns
$t_{h(AD_NADV)}$	FSMC_AD (address) valid hold time after FSMC_NADV high	t_{HCLK}		ns
$t_{h(A_NOE)}$	Address hold time after FSMC_NOE high	t_{HCLK}		ns

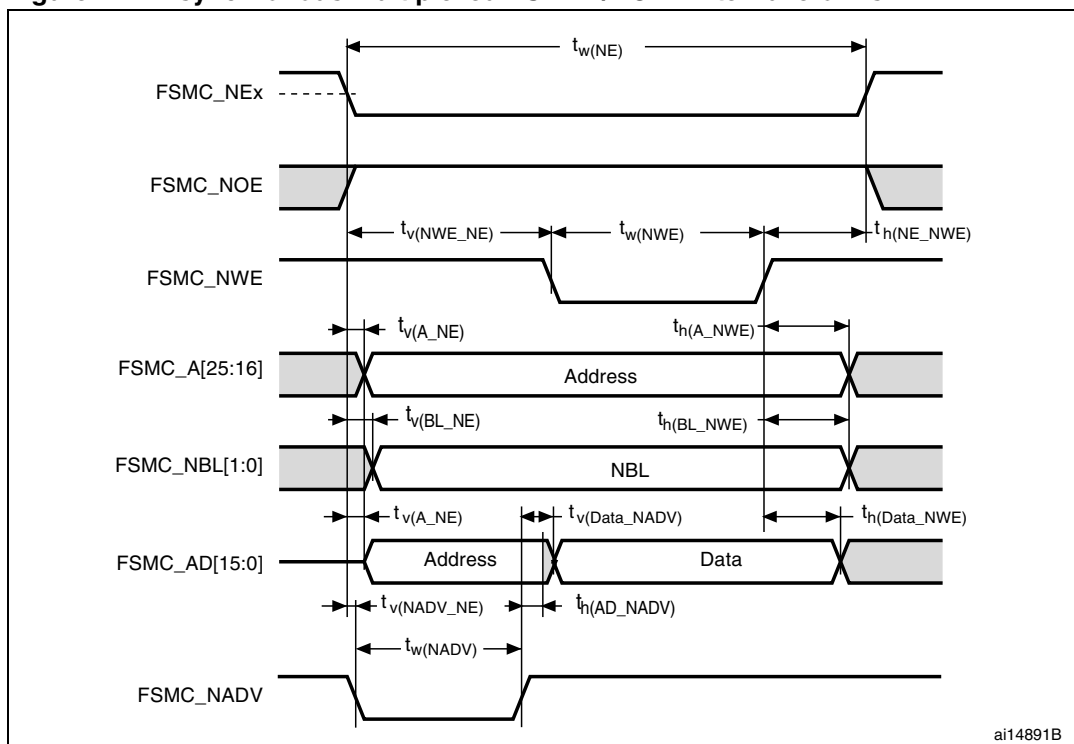
Table 33. Asynchronous multiplexed PSRAM/NOR read timings⁽¹⁾⁽²⁾ (continued)

Symbol	Parameter	Min	Max	Unit
$t_{h(BL_NOE)}$	FSMC_BL hold time after FSMC_NOE high	0		ns
$t_{v(BL_NE)}$	FSMC_NEx low to FSMC_BL valid		0	ns
$t_{su(Data_NE)}$	Data to FSMC_NEx high setup time	$2t_{HCLK} + 24$		ns
$t_{su(Data_NOE)}$	Data to FSMC_NOE high setup time	$2t_{HCLK} + 25$		ns
$t_{h(Data_NE)}$	Data hold time after FSMC_NEx high	0		ns
$t_{h(Data_NOE)}$	Data hold time after FSMC_NOE high	0		ns

1. $C_L = 15$ pF.

2. Based on characterization, not tested in production.

Figure 27. Asynchronous multiplexed PSRAM/NOR write waveforms



ai14891B

Table 34. Asynchronous multiplexed PSRAM/NOR write timings⁽¹⁾⁽²⁾

Symbol	Parameter	Min	Max	Unit
$t_{w(NE)}$	FSMC_NE low time	$5t_{HCLK} - 1$	$5t_{HCLK} + 2$	ns
$t_{v(NWE_NE)}$	FSMC_NEx low to FSMC_NWE low	$2t_{HCLK}$	$2t_{HCLK} + 1$	ns
$t_{w(NWE)}$	FSMC_NWE low time	$2t_{HCLK} - 1$	$2t_{HCLK} + 2$	ns
$t_{h(NE_NWE)}$	FSMC_NWE high to FSMC_NE high hold time	$t_{HCLK} - 1$		ns
$t_{v(A_NE)}$	FSMC_NEx low to FSMC_A valid		7	ns
$t_{v(NADV_NE)}$	FSMC_NEx low to FSMC_NADV low	3	5	ns
$t_{w(NADV)}$	FSMC_NADV low time	$t_{HCLK} - 1$	$t_{HCLK} + 1$	ns
$t_{h(AD_NADV)}$	FSMC_AD (address) valid hold time after FSMC_NADV high	$t_{HCLK} - 3$		ns
$t_{h(A_NWE)}$	Address hold time after FSMC_NWE high	$4t_{HCLK}$		ns
$t_{v(BL_NE)}$	FSMC_NEx low to FSMC_BL valid		1.6	ns
$t_{h(BL_NWE)}$	FSMC_BL hold time after FSMC_NWE high	$t_{HCLK} - 1.5$		ns
$t_{v(Data_NADV)}$	FSMC_NADV high to Data valid		$t_{HCLK} + 1.5$	ns
$t_{h(Data_NWE)}$	Data hold time after FSMC_NWE high	$t_{HCLK} - 5$		ns

1. $C_L = 15$ pF.
2. Based on characterization, not tested in production.

Synchronous waveforms and timings

Figure 28 through Figure 31 represent synchronous waveforms and Table 36 through Table 38 provide the corresponding timings. The results shown in these tables are obtained with the following FSMC configuration:

- BurstAccessMode = FSMC_BurstAccessMode_Enable;
- MemoryType = FSMC_MemoryType_CRAM;
- WriteBurst = FSMC_WriteBurst_Enable;
- CLKDivision = 1; (0 is not supported, see the STM32F10xxx reference manual)
- DataLatency = 1 for NOR Flash; DataLatency = 0 for PSRAM

Figure 28. Synchronous multiplexed NOR/PSRAM read timings

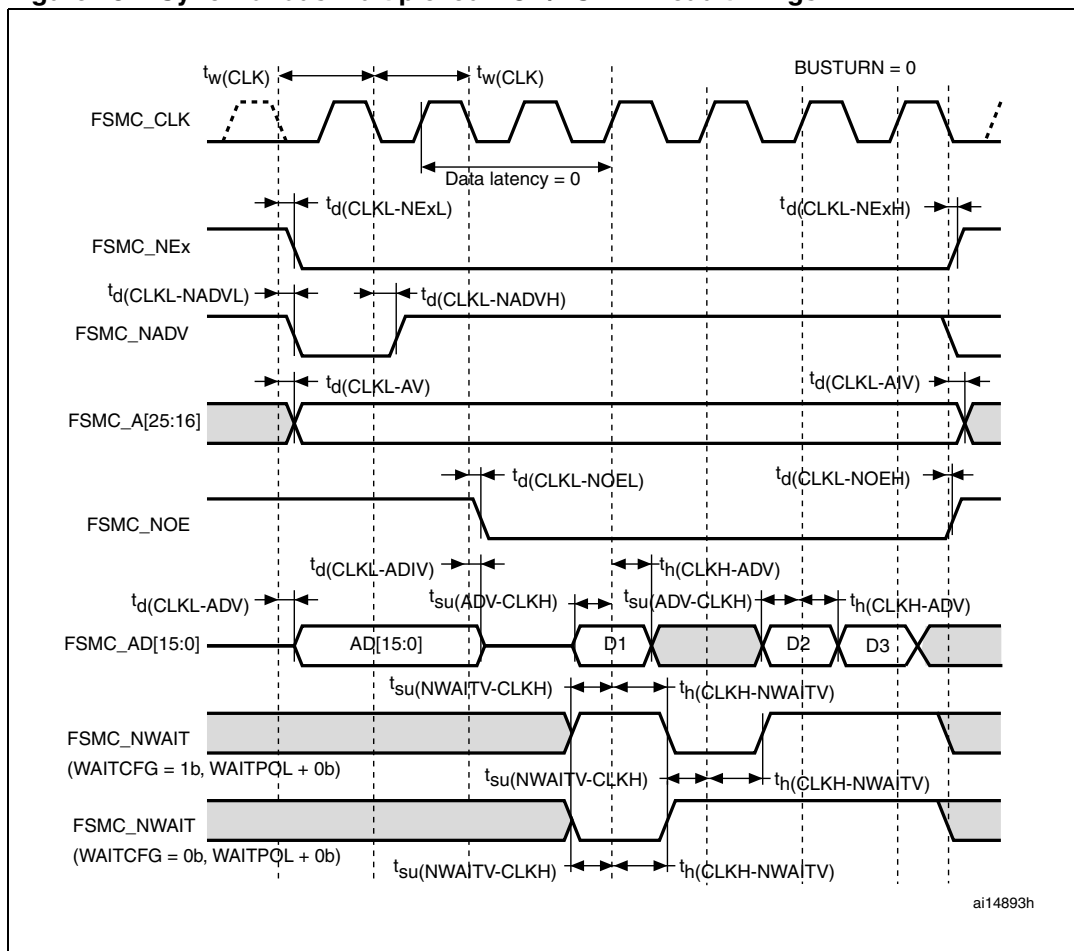


Table 35. Synchronous multiplexed NOR/PSRAM read timings⁽¹⁾⁽²⁾

Symbol	Parameter	Min	Max	Unit
$t_{w(\text{CLK})}$	FSMC_CLK period	27.7		ns
$t_{d(\text{CLKL-NExL})}$	FSMC_CLK low to FSMC_NEx low ($x = 0\dots2$)		1.5	ns
$t_{d(\text{CLKL-NExH})}$	FSMC_CLK low to FSMC_NEx high ($x = 0\dots2$)	2		ns
$t_{d(\text{CLKL-NADVl})}$	FSMC_CLK low to FSMC_NADV low		4	ns
$t_{d(\text{CLKL-NADVh})}$	FSMC_CLK low to FSMC_NADV high	5		ns
$t_{d(\text{CLKL-AV})}$	FSMC_CLK low to FSMC_Ax valid ($x = 16\dots25$)		0	ns
$t_{d(\text{CLKL-AIV})}$	FSMC_CLK low to FSMC_Ax invalid ($x = 16\dots25$)	2		ns
$t_{d(\text{CLKL-NOEL})}$	FSMC_CLK low to FSMC_NOE low		1	ns
$t_{d(\text{CLKL-NOEH})}$	FSMC_CLK low to FSMC_NOE high	0.5		ns
$t_{d(\text{CLKL-ADV})}$	FSMC_CLK low to FSMC_AD[15:0] valid		12	ns
$t_{d(\text{CLKL-ADIV})}$	FSMC_CLK low to FSMC_AD[15:0] invalid	0		ns
$t_{su(\text{ADV-CLKH})}$	FSMC_A/D[15:0] valid data before FSMC_CLK high	6		ns
$t_h(\text{CLKH-ADV})$	FSMC_A/D[15:0] valid data after FSMC_CLK high	0		ns
$t_{su(\text{NWAITV-CLKH})}$	FSMC_NWAIT valid before FSMC_CLK high	8		ns
$t_h(\text{CLKH-NWAITV})$	FSMC_NWAIT valid after FSMC_CLK high	2		ns

1. $C_L = 15$ pF.

2. Based on characterization, not tested in production.

Figure 29. Synchronous multiplexed PSRAM write timings

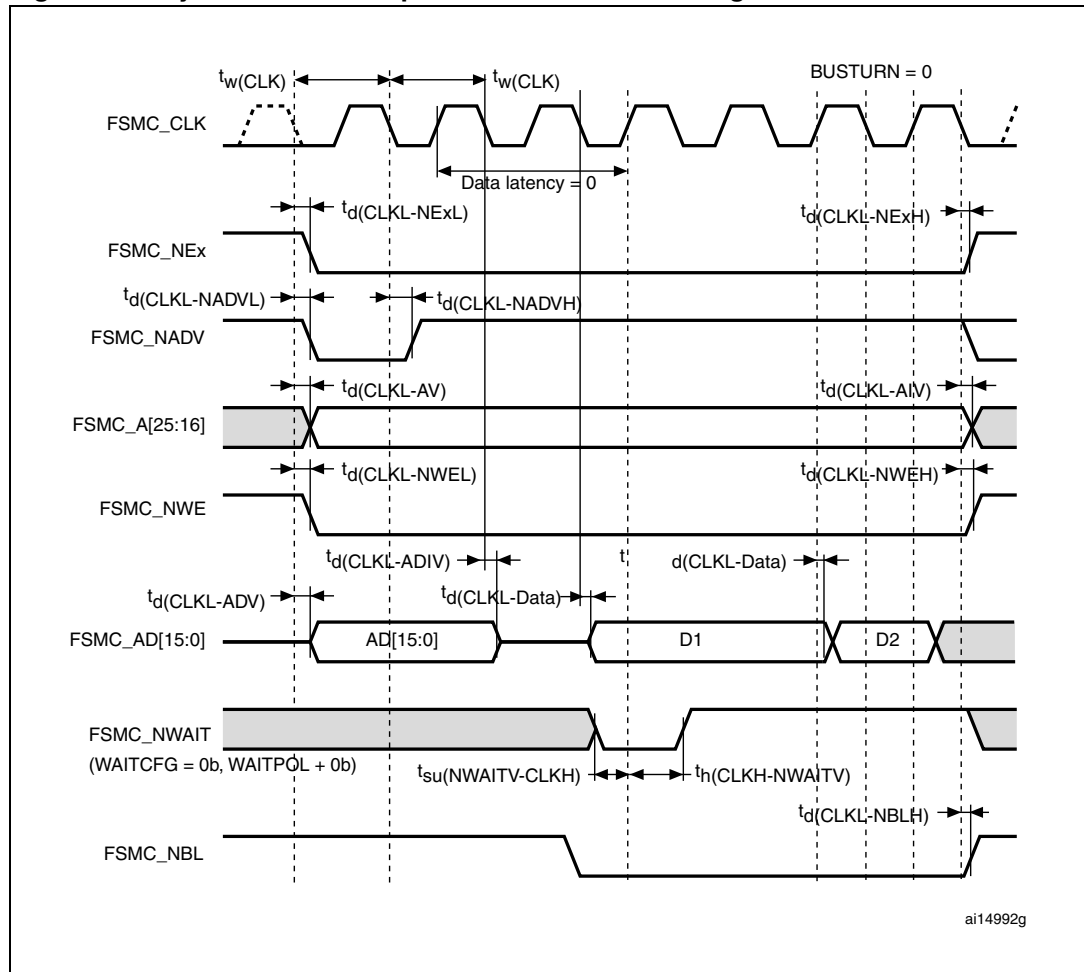


Table 36. Synchronous multiplexed PSRAM write timings⁽¹⁾⁽²⁾

Symbol	Parameter	Min	Max	Unit
$t_{w(\text{CLK})}$	FSMC_CLK period	27.7		ns
$t_{d(\text{CLKL-NExL})}$	FSMC_CLK low to FSMC_Nex low (x = 0...2)		2	ns
$t_{d(\text{CLKL-NExH})}$	FSMC_CLK low to FSMC_NEx high (x = 0...2)	2		ns
$t_{d(\text{CLKL-NADV})}$	FSMC_CLK low to FSMC_NADV low		4	ns
$t_{d(\text{CLKL-NADVH})}$	FSMC_CLK low to FSMC_NADV high	5		ns
$t_{d(\text{CLKL-AV})}$	FSMC_CLK low to FSMC_Ax valid (x = 16...25)		0	ns
$t_{d(\text{CLKL-AIV})}$	FSMC_CLK low to FSMC_Ax invalid (x = 16...25)	2		ns
$t_{d(\text{CLKL-NWEL})}$	FSMC_CLK low to FSMC_NWE low		1	ns
$t_{d(\text{CLKL-NWEH})}$	FSMC_CLK low to FSMC_NWE high	1		ns
$t_{d(\text{CLKL-ADV})}$	FSMC_CLK low to FSMC_AD[15:0] valid		12	ns
$t_{d(\text{CLKL-ADIV})}$	FSMC_CLK low to FSMC_AD[15:0] invalid	3		ns
$t_{d(\text{CLKL-Data})}$	FSMC_A/D[15:0] valid after FSMC_CLK low		6	ns
$t_{su(\text{NWAITV-CLKH})}$	FSMC_NWAIT valid before FSMC_CLK high	7		ns
$t_h(\text{CLKH-NWAITV})$	FSMC_NWAIT valid after FSMC_CLK high	2		ns
$t_{d(\text{CLKL-NBLH})}$	FSMC_CLK low to FSMC_NBL high	1		ns

1. $C_L = 15$ pF.
2. Based on characterization, not tested in production.

Figure 30. Synchronous non-multiplexed NOR/PSRAM read timings

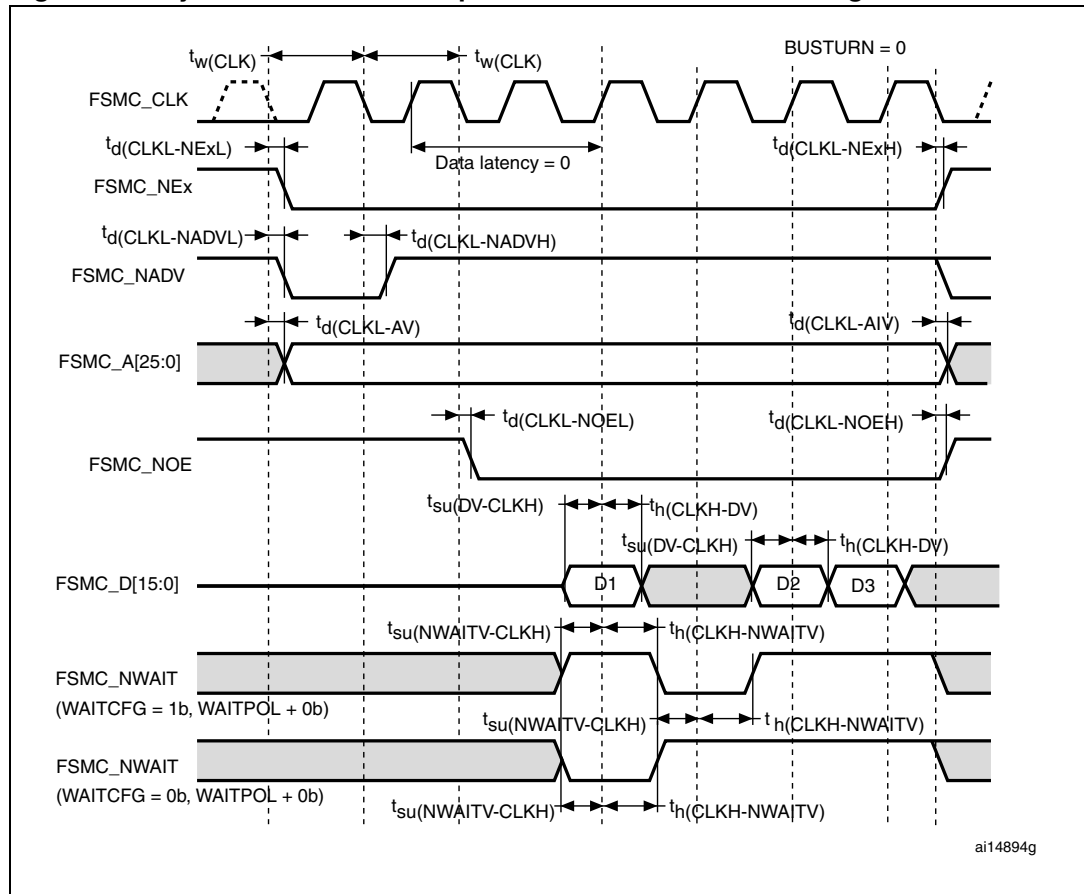


Table 37. Synchronous non-multiplexed NOR/PSRAM read timings⁽¹⁾⁽²⁾

Symbol	Parameter	Min	Max	Unit
$t_w(\text{CLK})$	FSMC_CLK period	27.7		ns
$t_d(\text{CLKL-NExL})$	FSMC_CLK low to FSMC_NEx low (x = 0...2)		1.5	ns
$t_d(\text{CLKL-NExH})$	FSMC_CLK low to FSMC_NEx high (x = 0...2)	2		ns
$t_d(\text{CLKL-NADV})$	FSMC_CLK low to FSMC_NADV low		4	ns
$t_d(\text{CLKL-NADVH})$	FSMC_CLK low to FSMC_NADV high	5		ns
$t_d(\text{CLKL-AV})$	FSMC_CLK low to FSMC_Ax valid (x = 0...25)		0	ns
$t_d(\text{CLKL-AIV})$	FSMC_CLK low to FSMC_Ax invalid (x = 0...25)	4		ns
$t_d(\text{CLKL-NOEL})$	FSMC_CLK low to FSMC_NOE low		1.5	ns
$t_d(\text{CLKL-NOEH})$	FSMC_CLK low to FSMC_NOE high	1.5		ns
$t_{su}(\text{DV-CLKH})$	FSMC_D[15:0] valid data before FSMC_CLK high	6.5		ns
$t_h(\text{CLKH-DV})$	FSMC_D[15:0] valid data after FSMC_CLK high	7		ns
$t_{su}(\text{NWAITV-CLKH})$	FSMC_NWAIT valid before FSMC_SMCLK high	7		ns
$t_h(\text{CLKH-NWAITV})$	FSMC_NWAIT valid after FSMC_CLK high	2		ns

1. $C_L = 15$ pF.
2. Based on characterization, not tested in production.

Figure 31. Synchronous non-multiplexed PSRAM write timings

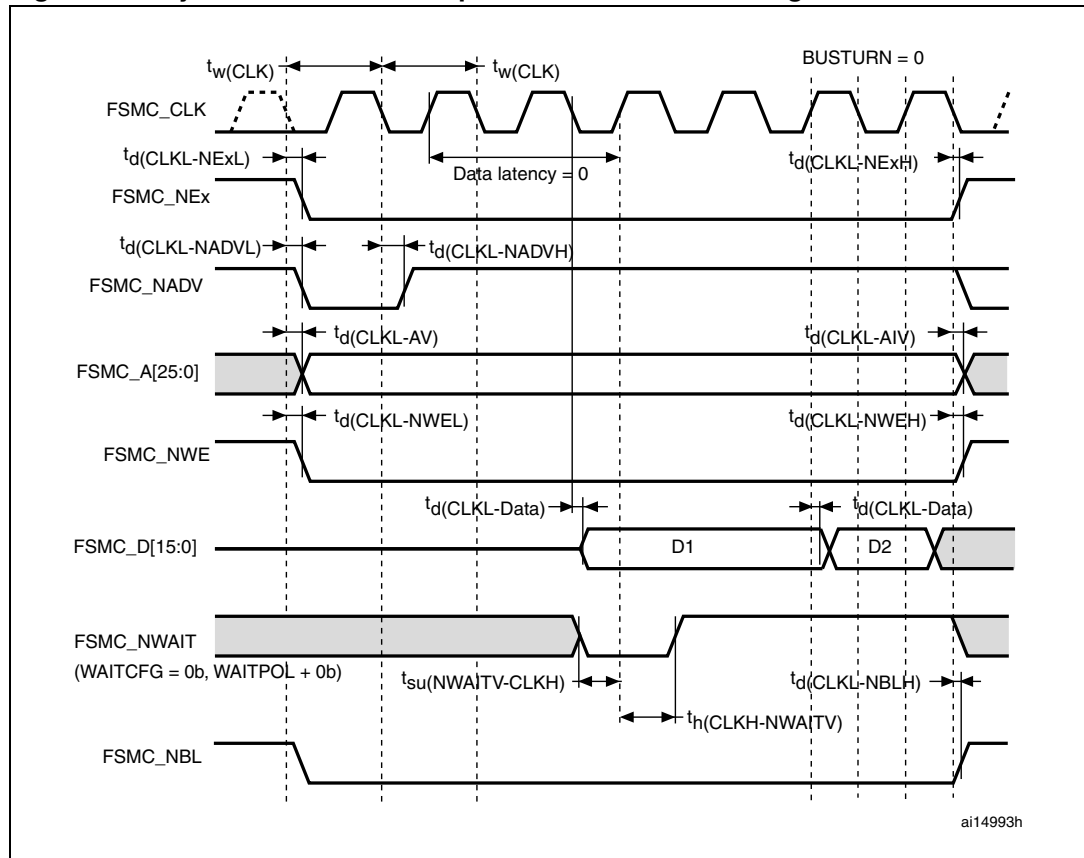


Table 38. Synchronous non-multiplexed PSRAM write timings⁽¹⁾⁽²⁾

Symbol	Parameter	Min	Max	Unit
$t_w(\text{CLK})$	FSMC_CLK period	27.7		ns
$t_d(\text{CLKL-NExL})$	FSMC_CLK low to FSMC_NEx low (x = 0...2)		2	ns
$t_d(\text{CLKL-NExH})$	FSMC_CLK low to FSMC_NEx high (x = 0...2)	2		ns
$t_d(\text{CLKL-NADVL})$	FSMC_CLK low to FSMC_NADV low		4	ns
$t_d(\text{CLKL-NADVH})$	FSMC_CLK low to FSMC_NADV high	5		ns
$t_d(\text{CLKL-AV})$	FSMC_CLK low to FSMC_Ax valid (x = 16...25)		0	ns
$t_d(\text{CLKL-AIV})$	FSMC_CLK low to FSMC_Ax invalid (x = 16...25)	2		ns
$t_d(\text{CLKL-NWEL})$	FSMC_CLK low to FSMC_NWE low		1	ns
$t_d(\text{CLKL-NWEH})$	FSMC_CLK low to FSMC_NWE high	1		ns
$t_d(\text{CLKL-Data})$	FSMC_D[15:0] valid data after FSMC_CLK low		6	ns
$t_{su}(\text{NWAITV-CLKH})$	FSMC_NWAIT valid before FSMC_CLK high	7		ns
$t_h(\text{CLKH-NWAITV})$	FSMC_NWAIT valid after FSMC_CLK high	2		ns
$t_d(\text{CLKL-NBLH})$	FSMC_CLK low to FSMC_NBL high	1		ns

1. $C_L = 15 \text{ pF}$.

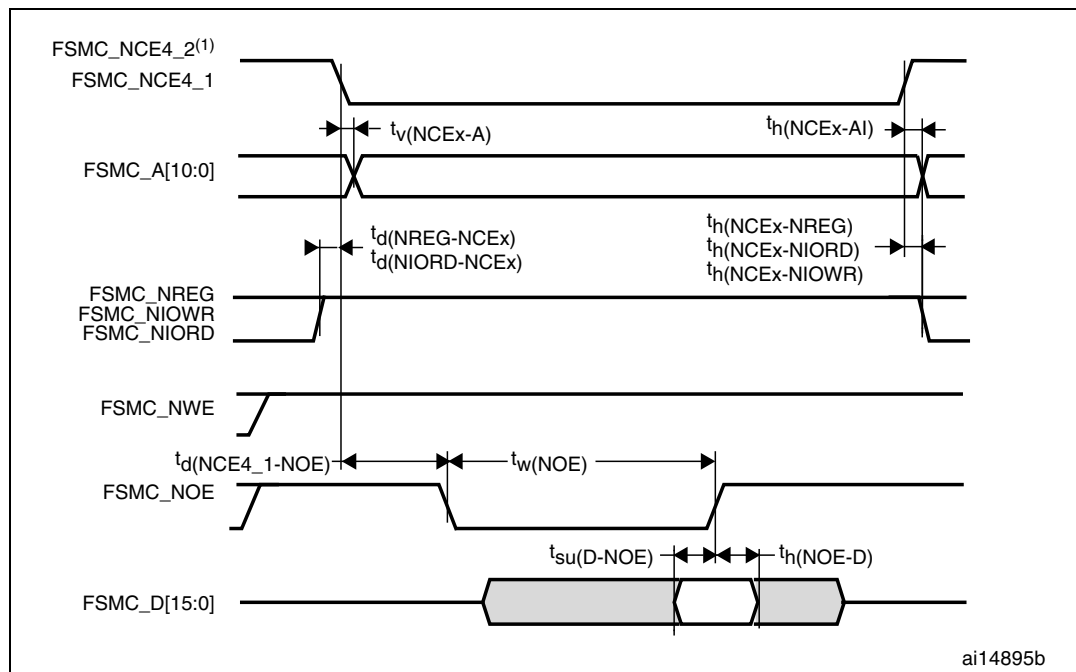
2. Based on characterization, not tested in production.

PC Card/CompactFlash controller waveforms and timings

Figure 32 through Figure 37 represent synchronous waveforms and Table 39 provides the corresponding timings. The results shown in this table are obtained with the following FSMC configuration:

- COM.FSMC_SetupTime = 0x04;
- COM.FSMC_WaitSetupTime = 0x07;
- COM.FSMC_HoldSetupTime = 0x04;
- COM.FSMC_HiZSetupTime = 0x00;
- ATT.FSMC_SetupTime = 0x04;
- ATT.FSMC_WaitSetupTime = 0x07;
- ATT.FSMC_HoldSetupTime = 0x04;
- ATT.FSMC_HiZSetupTime = 0x00;
- IO.FSMC_SetupTime = 0x04;
- IO.FSMC_WaitSetupTime = 0x07;
- IO.FSMC_HoldSetupTime = 0x04;
- IO.FSMC_HiZSetupTime = 0x00;
- TCLRSetupTime = 0;
- TARSetupTime = 0;

Figure 32. PC Card/CompactFlash controller waveforms for common memory read access



1. FSMC_NCE4_2 remains high (inactive during 8-bit access).

Figure 33. PC Card/CompactFlash controller waveforms for common memory write access

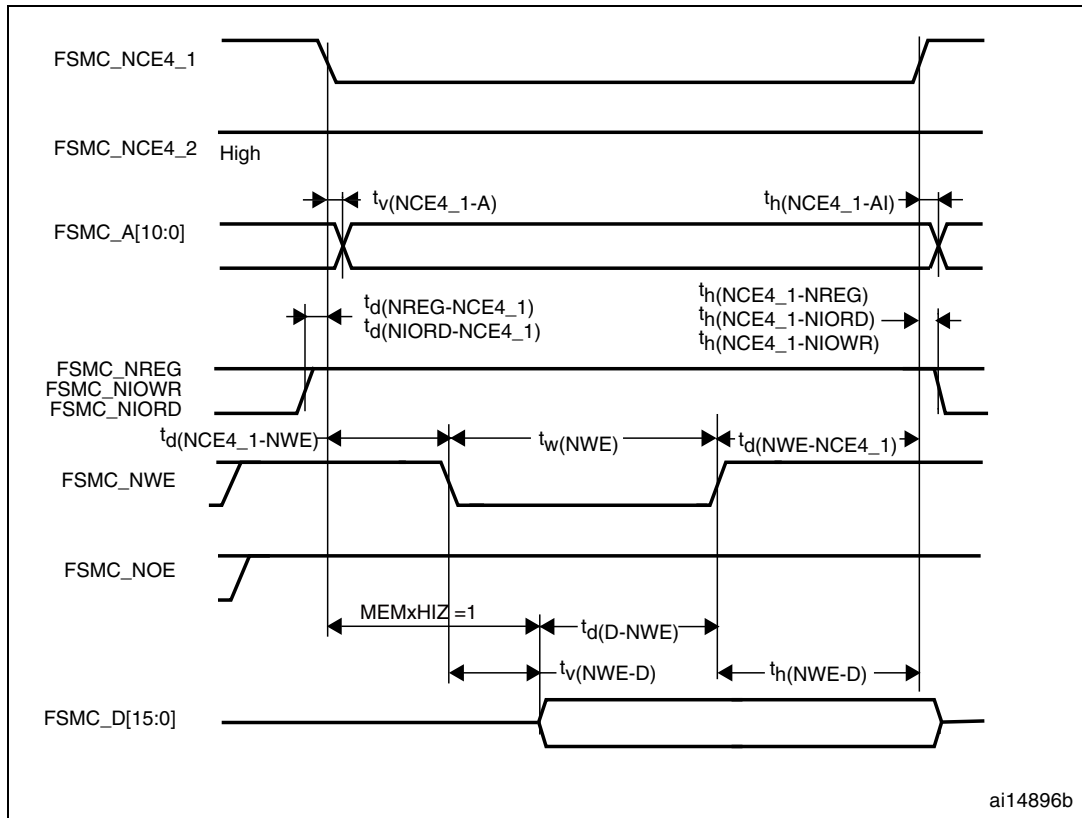
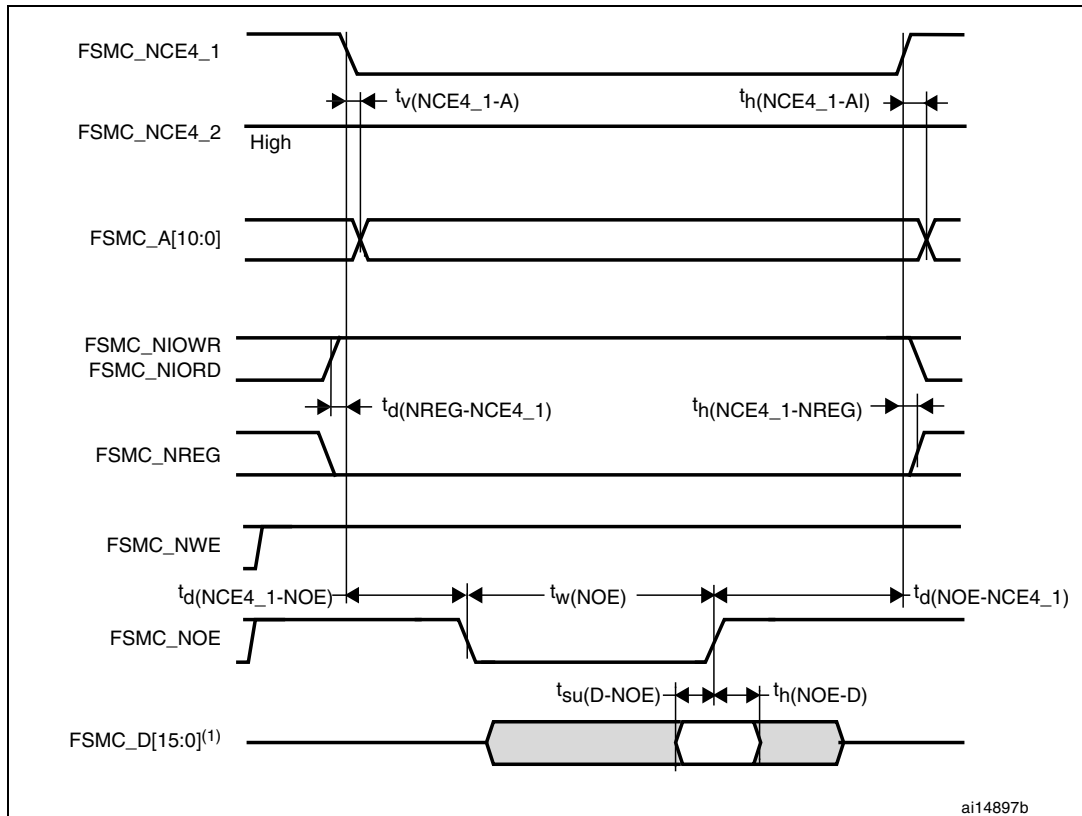
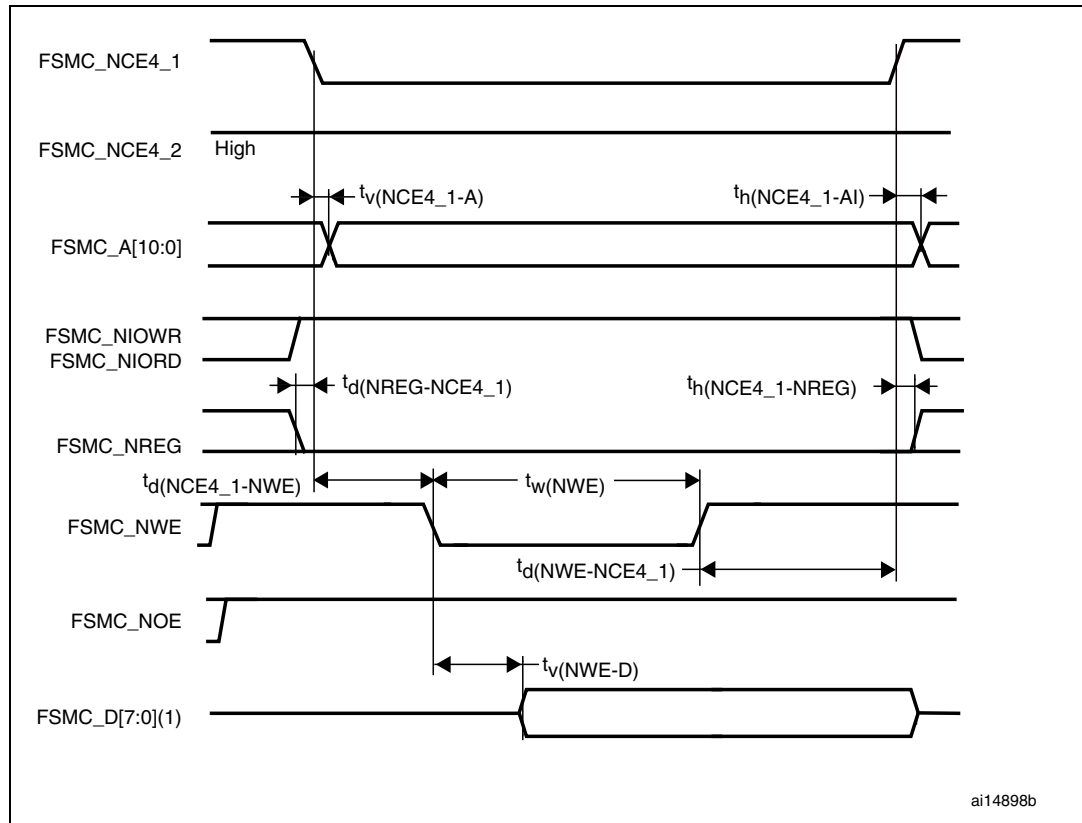


Figure 34. PC Card/CompactFlash controller waveforms for attribute memory read access



1. Only data bits 0...7 are read (bits 8...15 are disregarded).

Figure 35. PC Card/CompactFlash controller waveforms for attribute memory write access



1. Only data bits 0...7 are driven (bits 8...15 remains HiZ).

Figure 36. PC Card/CompactFlash controller waveforms for I/O space read access

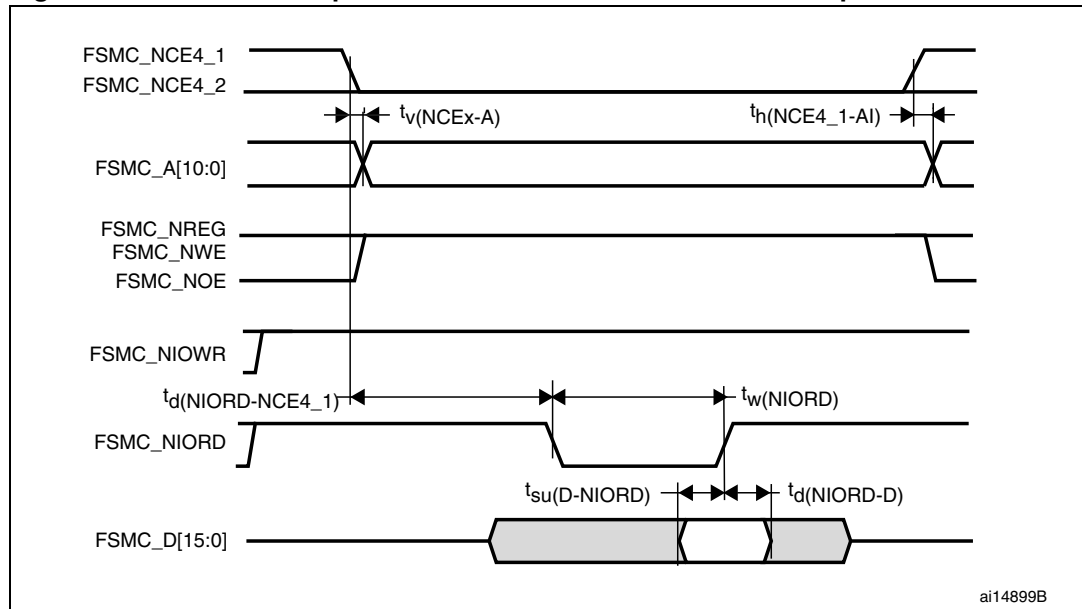


Figure 37. PC Card/CompactFlash controller waveforms for I/O space write access

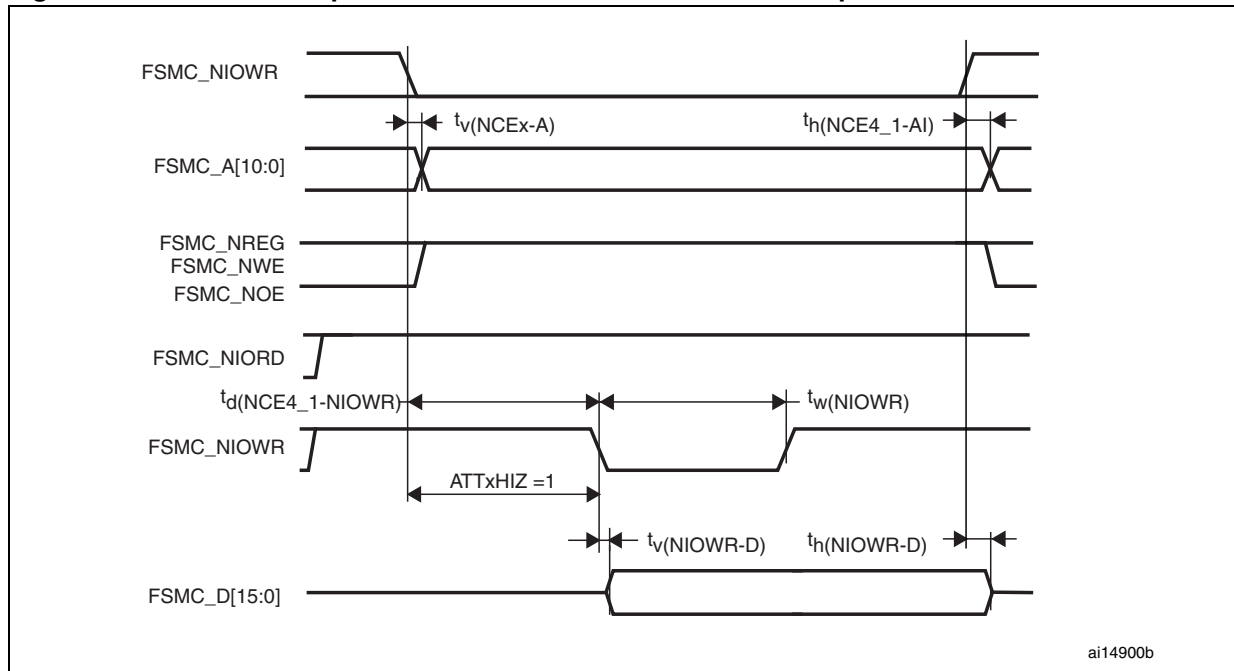


Table 39. Switching characteristics for PC Card/CF read and write cycles⁽¹⁾⁽²⁾

Symbol	Parameter	Min	Max	Unit
$t_{v(NCEx-A)}$ $t_{v(NCE4_1-A)}$	FSMC_NCE _x low (x = 4_1/4_2) to FSMC_A _y valid (y = 0...10) FSMC_NCE4_1 low (x = 4_1/4_2) to FSMC_A _y valid (y = 0...10)		0	ns
$t_{h(NCEx-AI)}$ $t_{h(NCE4_1-AI)}$	FSMC_NCE _x high (x = 4_1/4_2) to FSMC_A _x invalid (x = 0...10) FSMC_NCE4_1 high (x = 4_1/4_2) to FSMC_A _x invalid (x = 0...10)	2.5		ns
$t_{d(NREG-NCEx)}$ $t_{d(NREG-NCE4_1)}$	FSMC_NCE _x low to FSMC_NREG valid FSMC_NCE4_1 low to FSMC_NREG valid		5	ns
$t_{h(NCEx-NREG)}$ $t_{h(NCE4_1-NREG)}$	FSMC_NCE _x high to FSMC_NREG invalid FSMC_NCE4_1 high to FSMC_NREG invalid	$t_{HCLK} + 3$		ns
$t_{d(NCE4_1-NOE)}$	FSMC_NCE4_1 low to FSMC_NOE low		$5t_{HCLK} + 2$	ns
$t_{w(NOE)}$	FSMC_NOE low width	$8t_{HCLK} - 1.5$	$8t_{HCLK} + 1$	ns
$t_{d(NOE-NCE4_1)}$	FSMC_NOE high to FSMC_NCE4_1 high	$5t_{HCLK} + 2$		ns
$t_{su(D-NOE)}$	FSMC_D[15:0] valid data before FSMC_NOE high	25		ns
$t_{h(NOE-D)}$	FSMC_D[15:0] valid data after FSMC_NOE high	15		ns
$t_{w(NWE)}$	FSMC_NWE low width	$8t_{HCLK} - 1$	$8t_{HCLK} + 2$	ns
$t_{d(NWE-NCE4_1)}$	FSMC_NWE high to FSMC_NCE4_1 high	$5t_{HCLK} + 2$		ns
$t_{d(NCE4_1-NWE)}$	FSMC_NCE4_1 low to FSMC_NWE low		$5t_{HCLK} + 1.5$	ns
$t_{v(NWE-D)}$	FSMC_NWE low to FSMC_D[15:0] valid		0	ns
$t_{h(NWE-D)}$	FSMC_NWE high to FSMC_D[15:0] invalid	$11t_{HCLK}$		ns
$t_{d(D-NWE)}$	FSMC_D[15:0] valid before FSMC_NWE high	$13t_{HCLK}$		ns

Table 39. Switching characteristics for PC Card/CF read and write cycles⁽¹⁾⁽²⁾ (continued)

Symbol	Parameter	Min	Max	Unit
$t_{w(NIOWR)}$	FSMC_NIOWR low width	$8t_{HCLK} + 3$		ns
$t_{v(NIOWR-D)}$	FSMC_NIOWR low to FSMC_D[15:0] valid		$5t_{HCLK} + 1$	ns
$t_{h(NIOWR-D)}$	FSMC_NIOWR high to FSMC_D[15:0] invalid	$11t_{HCLK}$		ns
$t_{d(NCE4_1-NIOWR)}$	FSMC_NCE4_1 low to FSMC_NIOWR valid		$5t_{HCLK} + 3ns$	ns
$t_{h(NCEx-NIOWR)}$ $t_{h(NCE4_1-NIOWR)}$	FSMC_NCEx high to FSMC_NIOWR invalid FSMC_NCE4_1 high to FSMC_NIOWR invalid	$5t_{HCLK} - 5$		ns
$t_{d(NIORD-NCEx)}$ $t_{d(NIORD-NCE4_1)}$	FSMC_NCEx low to FSMC_NIORD valid FSMC_NCE4_1 low to FSMC_NIORD valid		$5t_{HCLK} + 2.5$	ns
$t_{h(NCEx-NIORD)}$ $t_{h(NCE4_1-NIORD)}$	FSMC_NCEx high to FSMC_NIORD invalid FSMC_NCE4_1 high to FSMC_NIORD invalid	$5t_{HCLK} - 5$		ns
$t_{su(D-NIORD)}$	FSMC_D[15:0] valid before FSMC_NIORD high	4.5		ns
$t_{d(NIORD-D)}$	FSMC_D[15:0] valid after FSMC_NIORD high	9		ns
$t_{w(NIORD)}$	FSMC_NIORD low width	$8t_{HCLK} + 2$		ns

1. $C_L = 15$ pF.

2. Based on characterization, not tested in production.

NAND controller waveforms and timings

[Figure 38](#) through [Figure 41](#) represent synchronous waveforms and [Table 40](#) provides the corresponding timings. The results shown in this table are obtained with the following FSMC configuration:

- COM.FSMC_SetupTime = 0x01;
- COM.FSMC_WaitSetupTime = 0x03;
- COM.FSMC_HoldSetupTime = 0x02;
- COM.FSMC_HiZSetupTime = 0x01;
- ATT.FSMC_SetupTime = 0x01;
- ATT.FSMC_WaitSetupTime = 0x03;
- ATT.FSMC_HoldSetupTime = 0x02;
- ATT.FSMC_HiZSetupTime = 0x01;
- Bank = FSMC_Bank_NAND;
- MemoryDataWidth = FSMC_MemoryDataWidth_16b;
- ECC = FSMC_ECC_Enable;
- ECCPageSize = FSMC_ECCPageSize_512Bytes;
- TCLRSetupTime = 0;
- TARSetupTime = 0;

Figure 38. NAND controller waveforms for read access

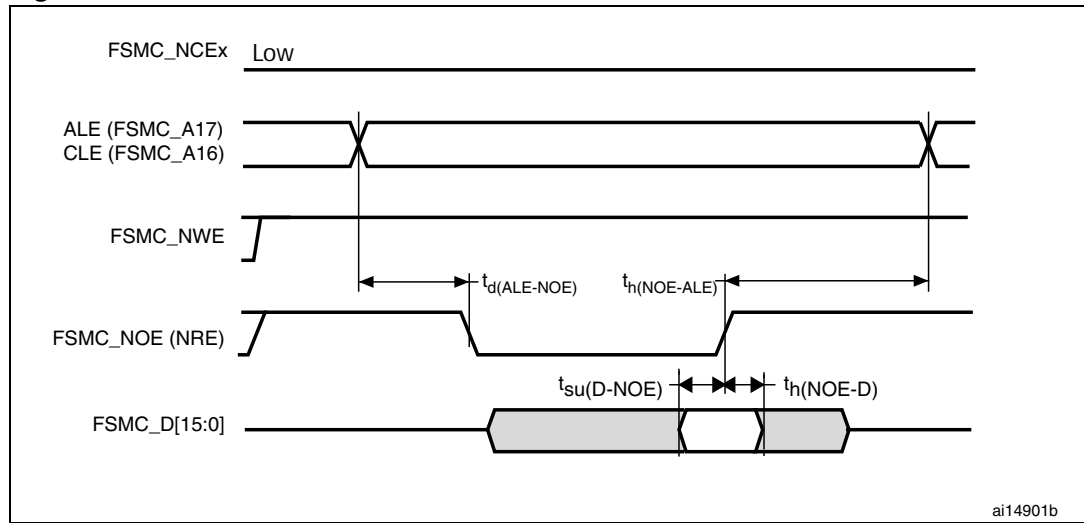


Figure 39. NAND controller waveforms for write access

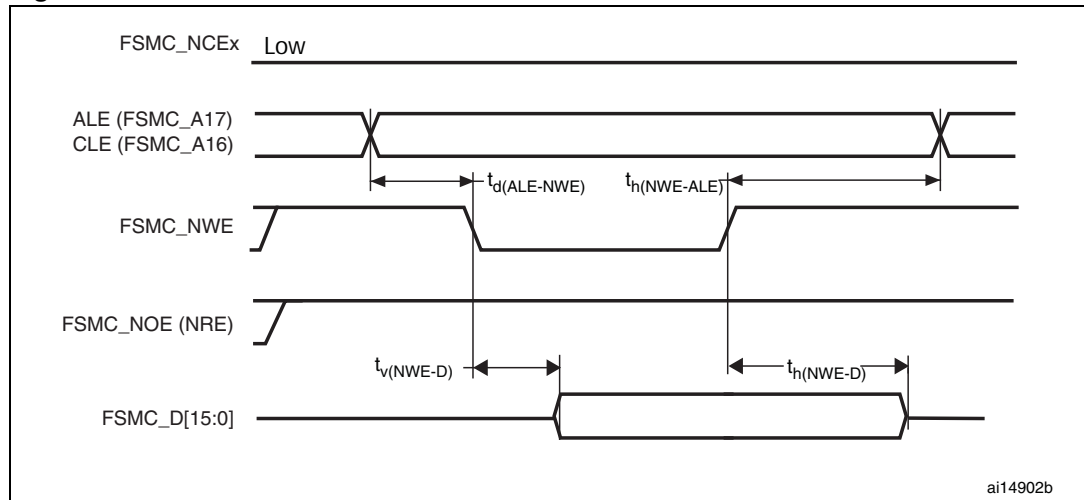


Figure 40. NAND controller waveforms for common memory read access

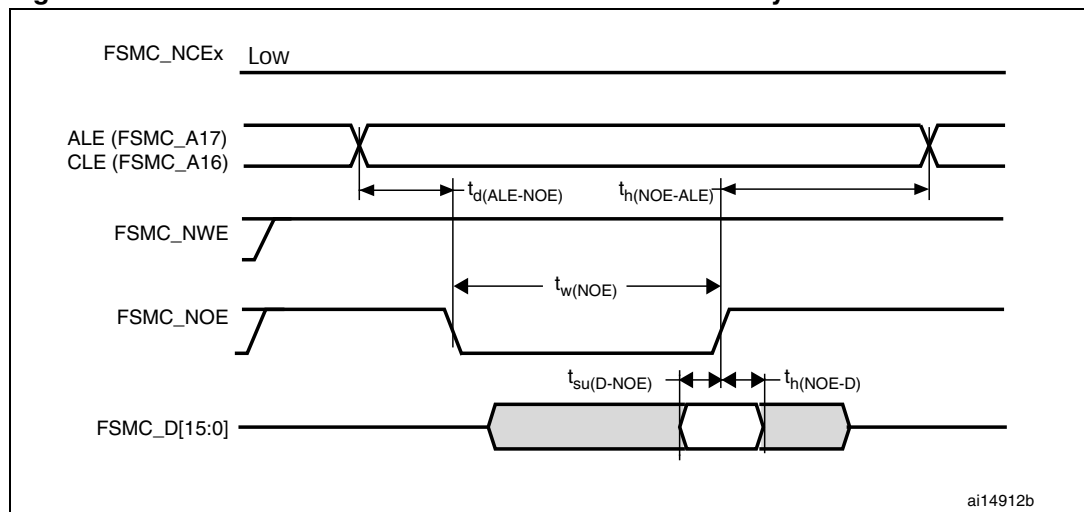


Figure 41. NAND controller waveforms for common memory write access

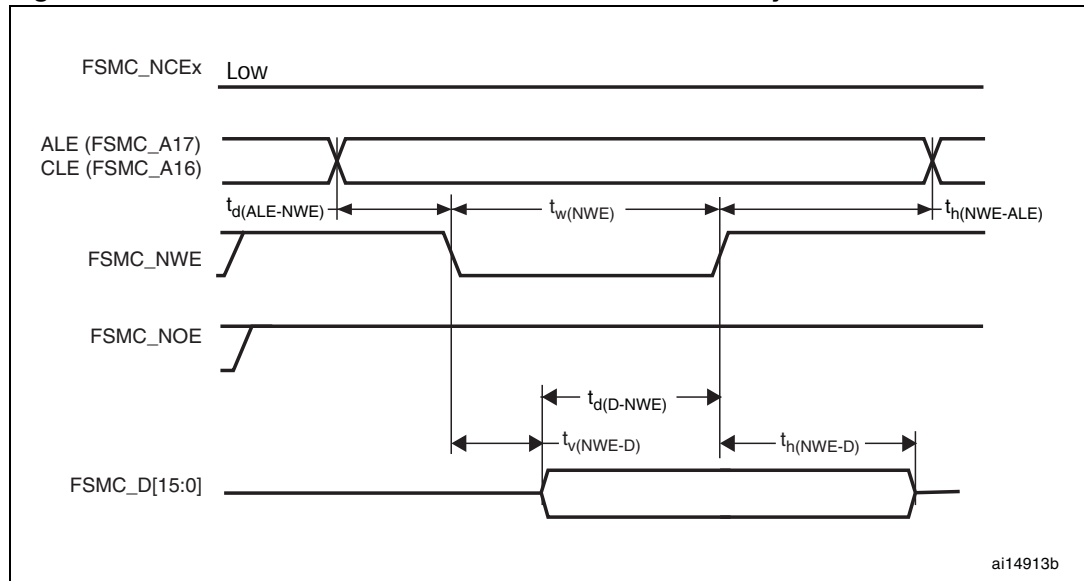


Table 40. Switching characteristics for NAND Flash read and write cycles⁽¹⁾

Symbol	Parameter	Min	Max	Unit
$t_{d(D-NWE)}^{(2)}$	FSMC_D[15:0] valid before FSMC_NWE high	$5t_{HCLK} + 12$		ns
$t_{w(NOE)}^{(2)}$	FSMC_NOE low width	$4t_{HCLK} - 1.5$	$4t_{HCLK} + 1.5$	ns
$t_{su(D-NOE)}^{(2)}$	FSMC_D[15:0] valid data before FSMC_NOE high	25		ns
$t_{h(NOE-D)}^{(2)}$	FSMC_D[15:0] valid data after FSMC_NOE high	7		ns
$t_{w(NWE)}^{(2)}$	FSMC_NWE low width	$4t_{HCLK} - 1$	$4t_{HCLK} + 2.5$	ns
$t_{v(NWE-D)}^{(2)}$	FSMC_NWE low to FSMC_D[15:0] valid		0	ns
$t_{h(NWE-D)}^{(2)}$	FSMC_NWE high to FSMC_D[15:0] invalid	$2t_{HCLK} + 4ns$		ns
$t_{d(ALE-NWE)}^{(3)}$	FSMC_ALE valid before FSMC_NWE low		$3t_{HCLK} + 1.5$	ns
$t_{h(NWE-ALE)}^{(3)}$	FSMC_NWE high to FSMC_ALE invalid	$3t_{HCLK} + 4.5$		ns
$t_{d(ALE-NOE)}^{(3)}$	FSMC_ALE valid before FSMC_NOE low		$3t_{HCLK} + 2$	ns
$t_{h(NOE-ALE)}^{(3)}$	FSMC_NWE high to FSMC_ALE invalid	$3t_{HCLK} + 4.5$		ns

1. $C_L = 15$ pF.
2. Based on characterization, not tested in production.
3. Guaranteed by design, not tested in production.

5.3.11 EMC characteristics

Susceptibility tests are performed on a sample basis during device characterization.

Functional EMS (electromagnetic susceptibility)

While a simple application is executed on the device (toggling 2 LEDs through I/O ports), the device is stressed by two electromagnetic events until a failure occurs. The failure is indicated by the LEDs:

- **Electrostatic discharge (ESD)** (positive and negative) is applied to all device pins until a functional disturbance occurs. This test is compliant with the IEC 61000-4-2 standard.
- **FTB:** A Burst of Fast Transient voltage (positive and negative) is applied to V_{DD} and V_{SS} through a 100 pF capacitor, until a functional disturbance occurs. This test is compliant with the IEC 61000-4-4 standard.

A device reset allows normal operations to be resumed.

The test results are given in [Table 41](#). They are based on the EMS levels and classes defined in application note AN1709.

Table 41. EMS characteristics

Symbol	Parameter	Conditions	Level/Class
V_{FESD}	Voltage limits to be applied on any I/O pin to induce a functional disturbance	$V_{DD} = 3.3\text{ V}$, LQFP144, $T_A = +25\text{ °C}$, $f_{HCLK} = 72\text{ MHz}$ conforms to IEC 61000-4-2	2B
V_{EFTB}	Fast transient voltage burst limits to be applied through 100 pF on V_{DD} and V_{SS} pins to induce a functional disturbance	$V_{DD} = 3.3\text{ V}$, LQFP144, $T_A = +25\text{ °C}$, $f_{HCLK} = 72\text{ MHz}$ conforms to IEC 61000-4-4	4A

Designing hardened software to avoid noise problems

EMC characterization and optimization are performed at component level with a typical application environment and simplified MCU software. It should be noted that good EMC performance is highly dependent on the user application and the software in particular.

Therefore it is recommended that the user applies EMC software optimization and prequalification tests in relation with the EMC level requested for his application.

Software recommendations

The software flowchart must include the management of runaway conditions such as:

- Corrupted program counter
- Unexpected reset
- Critical Data corruption (control registers...)

Prequalification trials

Most of the common failures (unexpected reset and program counter corruption) can be reproduced by manually forcing a low state on the NRST pin or the Oscillator pins for 1 second.

To complete these trials, ESD stress can be applied directly on the device, over the range of specification values. When unexpected behavior is detected, the software can be hardened to prevent unrecoverable errors occurring (see application note AN1015).

Electromagnetic Interference (EMI)

The electromagnetic field emitted by the device are monitored while a simple application is executed (toggling 2 LEDs through the I/O ports). This emission test is compliant with IEC 61967-2 standard which specifies the test board and the pin loading.

Table 42. EMI characteristics

Symbol	Parameter	Conditions	Monitored frequency band	Max vs. [f _{HSE} /f _{HCLK}]		Unit
				8/48 MHz	8/72 MHz	
S _{EMI}	Peak level	V _{DD} = 3.3 V, T _A = 25 °C, LQFP144 package compliant with IEC 61967-2	0.1 to 30 MHz	8	12	dBμV
			30 to 130 MHz	31	21	
			130 MHz to 1GHz	28	33	
			SAE EMI Level	4	4	-

5.3.12 Absolute maximum ratings (electrical sensitivity)

Based on three different tests (ESD, LU) using specific measurement methods, the device is stressed in order to determine its performance in terms of electrical sensitivity.

Electrostatic discharge (ESD)

Electrostatic discharges (a positive then a negative pulse separated by 1 second) are applied to the pins of each sample according to each pin combination. The sample size depends on the number of supply pins in the device (3 parts × (n+1) supply pins). This test conforms to the JESD22-A114/C101 standard.

Table 43. ESD absolute maximum ratings

Symbol	Ratings	Conditions	Class	Maximum value ⁽¹⁾	Unit
V _{ESD(HBM)}	Electrostatic discharge voltage (human body model)	T _A = +25 °C, conforming to JESD22-A114	2	2000	V
V _{ESD(CDM)}	Electrostatic discharge voltage (charge device model)	T _A = +25 °C, conforming to JESD22-C101	II	500	

1. Based on characterization results, not tested in production.

Static latch-up

Two complementary static tests are required on six parts to assess the latch-up performance:

- A supply overvoltage is applied to each power supply pin
- A current injection is applied to each input, output and configurable I/O pin

These tests are compliant with EIA/JESD 78A IC latch-up standard.

Table 44. Electrical sensitivities

Symbol	Parameter	Conditions	Class
LU	Static latch-up class	T _A = +105 °C conforming to JESD78A	II level A

5.3.13 I/O current injection characteristics

As a general rule, current injection to the I/O pins, due to external voltage below V_{SS} or above V_{DD} (for standard, 3 V-capable I/O pins) should be avoided during normal product operation. However, in order to give an indication of the robustness of the microcontroller in cases when abnormal injection accidentally happens, susceptibility tests are performed on a sample basis during device characterization.

Functional susceptibility to I/O current injection

While a simple application is executed on the device, the device is stressed by injecting current into the I/O pins programmed in floating input mode. While current is injected into the I/O pin, one at a time, the device is checked for functional failures.

The failure is indicated by an out of range parameter: ADC error above a certain limit (>5 LSB TUE), out of spec current injection on adjacent pins or other functional failure (for example reset, oscillator frequency deviation).

The test results are given in [Table 45](#)

Table 45. I/O current injection susceptibility

Symbol	Description	Functional susceptibility		Unit
		Negative injection	Positive injection	
I _{INJ}	Injected current on OSC_IN32, OSC_OUT32, PA4, PA5, PC13	-0	+0	mA
	Injected current on all FT pins	-5	+0	
	Injected current on any other pin	-5	+5	

5.3.14 I/O port characteristics

General input/output characteristics

Unless otherwise specified, the parameters given in [Table 46](#) are derived from tests performed under the conditions summarized in [Table 10](#). All I/Os are CMOS and TTL compliant.

Table 46. I/O static characteristics

Symbol	Parameter	Conditions	Min	Typ	Max	Unit
V _{IL}	Standard IO input low level voltage		-0.3		0.28*(V _{DD} -2 V)+0.8 V	V
	IO FT ⁽¹⁾ input low level voltage		-0.3		0.32*(V _{DD} -2 V)+0.75 V	V
V _{IH}	Standard IO input high level voltage		0.41*(V _{DD} -2 V)+1.3 V		V _{DD} +0.3	V
	IO FT ⁽¹⁾ input high level voltage	V _{DD} > 2 V	0.42*(V _{DD} -2 V)+1 V		5.5	V
		V _{DD} ≤ 2 V		5.2		
V _{hys}	Standard IO Schmitt trigger voltage hysteresis ⁽²⁾		200			mV
	IO FT Schmitt trigger voltage hysteresis ⁽²⁾		5% V _{DD} ⁽³⁾			mV
I _{lkg}	Input leakage current ⁽⁴⁾	V _{SS} ≤ V _{IN} ≤ V _{DD} Standard I/Os			±1	μA
		V _{IN} = 5 V, I/O FT			3	
R _{PU}	Weak pull-up equivalent resistor ⁽⁵⁾	V _{IN} = V _{SS}	30	40	50	kΩ
R _{PD}	Weak pull-down equivalent resistor ⁽⁵⁾	V _{IN} = V _{DD}	30	40	50	kΩ
C _{IO}	I/O pin capacitance			5		pF

1. FT = Five-volt tolerant. In order to sustain a voltage higher than V_{DD}+0.3 the internal pull-up/pull-down resistors must be disabled.
2. Hysteresis voltage between Schmitt trigger switching levels. Based on characterization, not tested in production.
3. With a minimum of 100 mV.
4. Leakage could be higher than max. if negative current is injected on adjacent pins.
5. Pull-up and pull-down resistors are designed with a true resistance in series with a switchable PMOS/NMOS. This MOS/NMOS contribution to the series resistance is minimum (~10% order).

All I/Os are CMOS and TTL compliant (no software configuration required). Their characteristics cover more than the strict CMOS-technology or TTL parameters. The coverage of these requirements is shown in [Figure 42](#) and [Figure 43](#) for standard I/Os, and in [Figure 44](#) and [Figure 45](#) for 5 V tolerant I/Os.

Figure 42. Standard I/O input characteristics - CMOS port

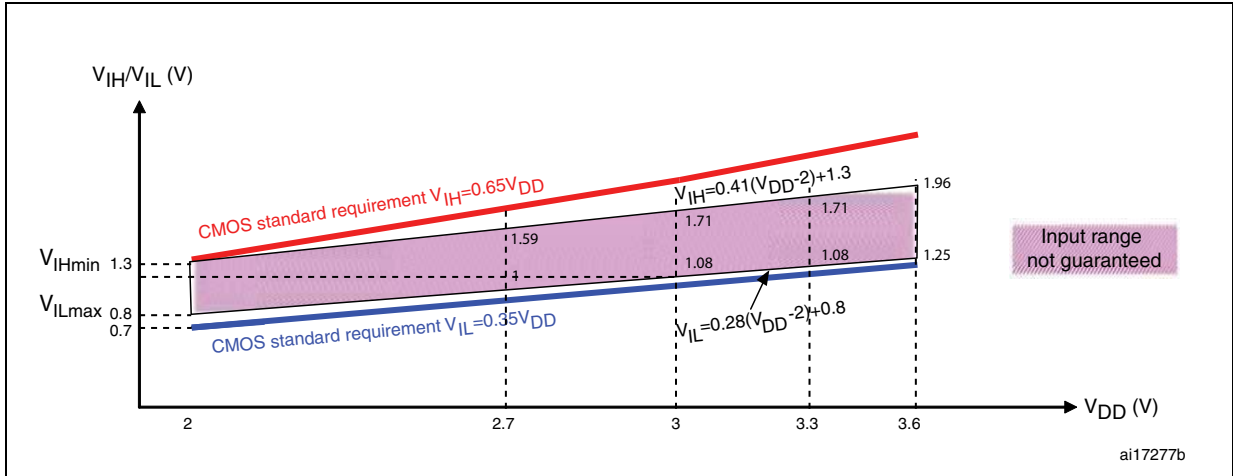


Figure 43. Standard I/O input characteristics - TTL port

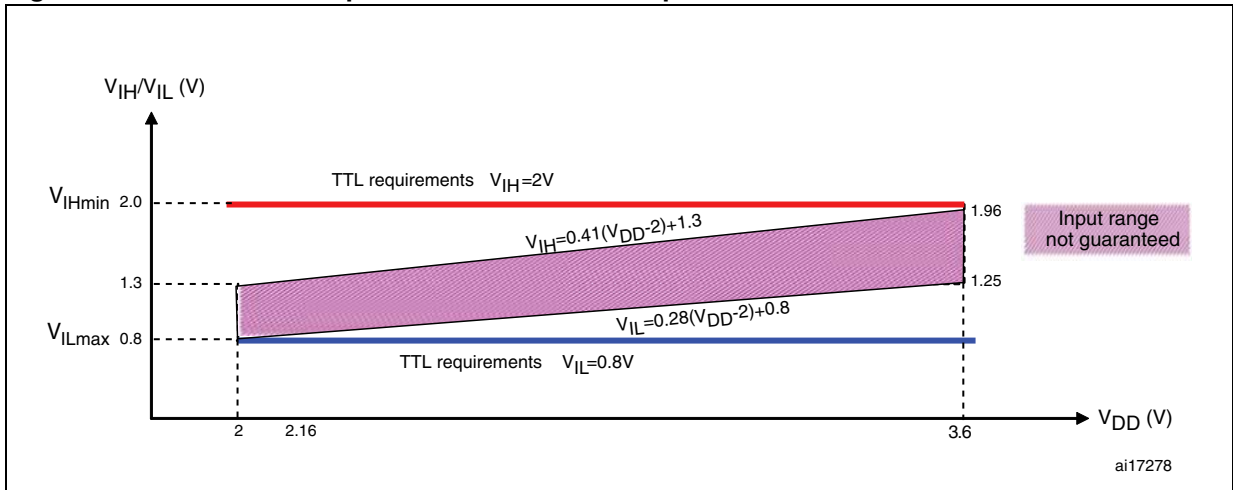


Figure 44. 5 V tolerant I/O input characteristics - CMOS port

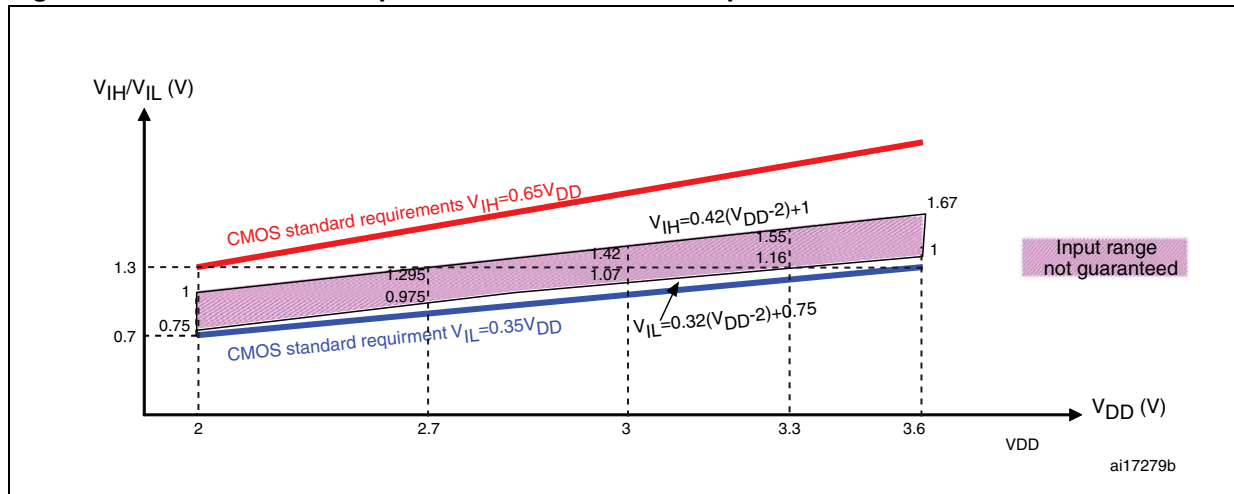
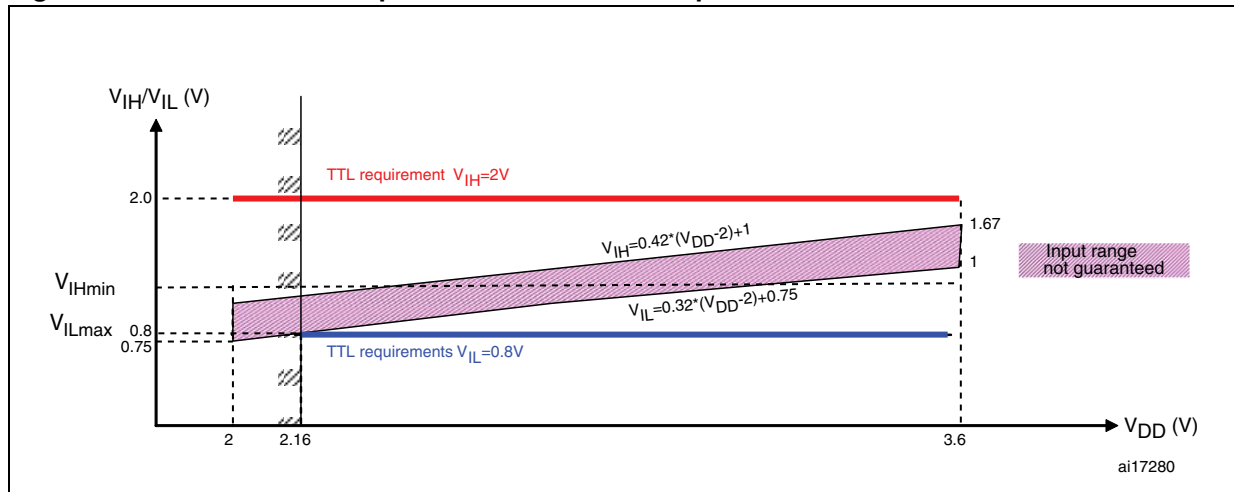


Figure 45. 5 V tolerant I/O input characteristics - TTL port



Output driving current

The GPIOs (general purpose input/outputs) can sink or source up to +/-8 mA, and sink or source up to +/- 20 mA (with a relaxed V_{OL}/V_{OH}).

In the user application, the number of I/O pins which can drive current must be limited to respect the absolute maximum rating specified in [Section 5.2](#):

- The sum of the currents sourced by all the I/Os on V_{DD} , plus the maximum Run consumption of the MCU sourced on V_{DD} , cannot exceed the absolute maximum rating I_{VDD} (see [Table 8](#)).
- The sum of the currents sunk by all the I/Os on V_{SS} plus the maximum Run consumption of the MCU sunk on V_{SS} cannot exceed the absolute maximum rating I_{VSS} (see [Table 8](#)).

Output voltage levels

Unless otherwise specified, the parameters given in [Table 47](#) are derived from tests performed under ambient temperature and V_{DD} supply voltage conditions summarized in [Table 10](#). All I/Os are CMOS and TTL compliant.

Table 47. Output voltage characteristics

Symbol	Parameter	Conditions	Min	Max	Unit
$V_{OL}^{(1)}$	Output low level voltage for an I/O pin when 8 pins are sunk at same time	CMOS port ⁽²⁾ $I_{IO} = +8 \text{ mA}$ $2.7 \text{ V} < V_{DD} < 3.6 \text{ V}$		0.4	V
$V_{OH}^{(3)}$	Output high level voltage for an I/O pin when 8 pins are sourced at same time		$V_{DD}-0.4$		
$V_{OL}^{(1)}$	Output low level voltage for an I/O pin when 8 pins are sunk at same time	TTL port ⁽²⁾ $I_{IO} = +8 \text{ mA}$ $2.7 \text{ V} < V_{DD} < 3.6 \text{ V}$		0.4	V
$V_{OH}^{(3)}$	Output high level voltage for an I/O pin when 8 pins are sourced at same time		2.4		
$V_{OL}^{(1)(4)}$	Output low level voltage for an I/O pin when 8 pins are sunk at same time	$I_{IO} = +20 \text{ mA}$ $2.7 \text{ V} < V_{DD} < 3.6 \text{ V}$		1.3	V
$V_{OH}^{(3)(4)}$	Output high level voltage for an I/O pin when 8 pins are sourced at same time		$V_{DD}-1.3$		
$V_{OL}^{(1)(4)}$	Output low level voltage for an I/O pin when 8 pins are sunk at same time	$I_{IO} = +6 \text{ mA}$ $2 \text{ V} < V_{DD} < 2.7 \text{ V}$		0.4	V
$V_{OH}^{(3)(4)}$	Output high level voltage for an I/O pin when 8 pins are sourced at same time		$V_{DD}-0.4$		

1. The I_{IO} current sunk by the device must always respect the absolute maximum rating specified in [Table 8](#) and the sum of I_{IO} (I/O ports and control pins) must not exceed I_{VSS} .
2. TTL and CMOS outputs are compatible with JEDEC standards JESD36 and JESD52.
3. The I_{IO} current sourced by the device must always respect the absolute maximum rating specified in [Table 8](#) and the sum of I_{IO} (I/O ports and control pins) must not exceed I_{VDD} .
4. Based on characterization data, not tested in production.

Input/output AC characteristics

The definition and values of input/output AC characteristics are given in [Figure 46](#) and [Table 48](#), respectively.

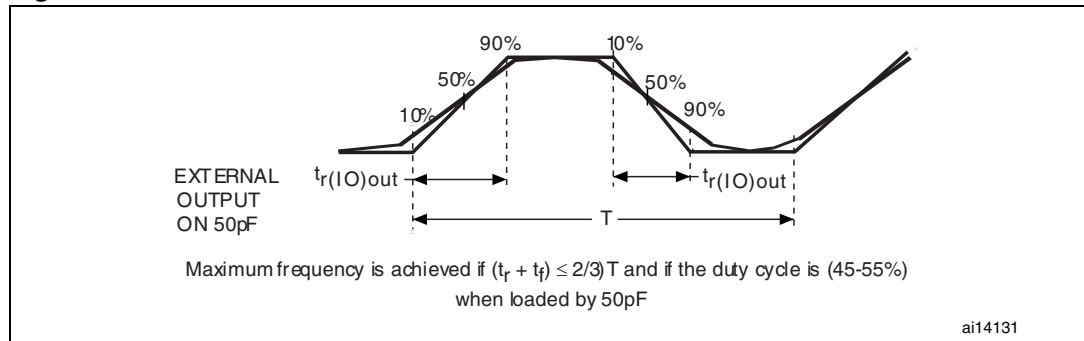
Unless otherwise specified, the parameters given in [Table 48](#) are derived from tests performed under ambient temperature and V_{DD} supply voltage conditions summarized in [Table 10](#).

Table 48. I/O AC characteristics⁽¹⁾

MODEx[1:0] bit value ⁽¹⁾	Symbol	Parameter	Conditions	Min	Max	Unit
10	$f_{\max(\text{IO})\text{out}}$	Maximum frequency ⁽²⁾	$C_L = 50 \text{ pF}$, $V_{DD} = 2 \text{ V to } 3.6 \text{ V}$		2	MHz
	$t_{f(\text{IO})\text{out}}$	Output high to low level fall time	$C_L = 50 \text{ pF}$, $V_{DD} = 2 \text{ V to } 3.6 \text{ V}$		125 ⁽³⁾	ns
	$t_{r(\text{IO})\text{out}}$	Output low to high level rise time			125 ⁽³⁾	
01	$f_{\max(\text{IO})\text{out}}$	Maximum frequency ⁽²⁾	$C_L = 50 \text{ pF}$, $V_{DD} = 2 \text{ V to } 3.6 \text{ V}$		10	MHz
	$t_{f(\text{IO})\text{out}}$	Output high to low level fall time	$C_L = 50 \text{ pF}$, $V_{DD} = 2 \text{ V to } 3.6 \text{ V}$		25 ⁽³⁾	ns
	$t_{r(\text{IO})\text{out}}$	Output low to high level rise time			25 ⁽³⁾	
11	$F_{\max(\text{IO})\text{out}}$	Maximum frequency ⁽²⁾	$C_L = 30 \text{ pF}$, $V_{DD} = 2.7 \text{ V to } 3.6 \text{ V}$		50	MHz
			$C_L = 50 \text{ pF}$, $V_{DD} = 2.7 \text{ V to } 3.6 \text{ V}$		30	MHz
			$C_L = 50 \text{ pF}$, $V_{DD} = 2 \text{ V to } 2.7 \text{ V}$		20	MHz
	$t_{f(\text{IO})\text{out}}$	Output high to low level fall time	$C_L = 30 \text{ pF}$, $V_{DD} = 2.7 \text{ V to } 3.6 \text{ V}$		5 ⁽³⁾	ns
			$C_L = 50 \text{ pF}$, $V_{DD} = 2.7 \text{ V to } 3.6 \text{ V}$		8 ⁽³⁾	
			$C_L = 50 \text{ pF}$, $V_{DD} = 2 \text{ V to } 2.7 \text{ V}$		12 ⁽³⁾	
	$t_{r(\text{IO})\text{out}}$	Output low to high level rise time	$C_L = 30 \text{ pF}$, $V_{DD} = 2.7 \text{ V to } 3.6 \text{ V}$		5 ⁽³⁾	
			$C_L = 50 \text{ pF}$, $V_{DD} = 2.7 \text{ V to } 3.6 \text{ V}$		8 ⁽³⁾	
			$C_L = 50 \text{ pF}$, $V_{DD} = 2 \text{ V to } 2.7 \text{ V}$		12 ⁽³⁾	
-	$t_{\text{EXTI}pw}$	Pulse width of external signals detected by the EXTI controller		10		ns

1. The I/O speed is configured using the MODEx[1:0] bits. Refer to the STM32F10xxx reference manual for a description of GPIO Port configuration register.
2. The maximum frequency is defined in [Figure 46](#).
3. Guaranteed by design, not tested in production.

Figure 46. I/O AC characteristics definition



5.3.15 NRST pin characteristics

The NRST pin input driver uses CMOS technology. It is connected to a permanent pull-up resistor, R_{PU} (see Table 46).

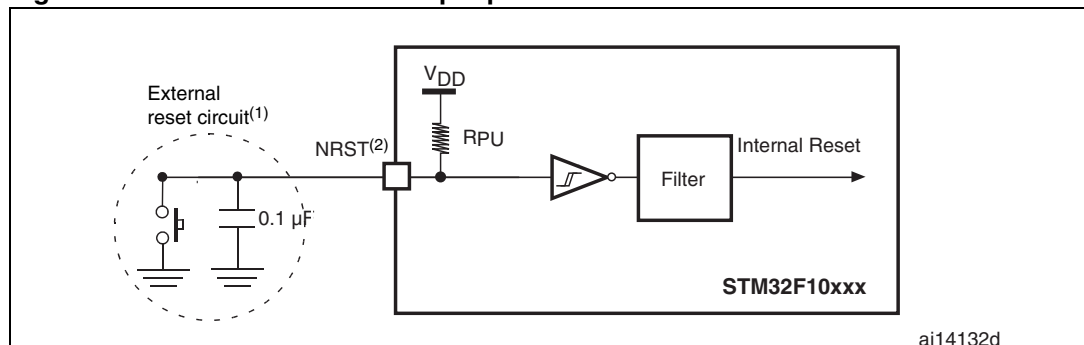
Unless otherwise specified, the parameters given in Table 49 are derived from tests performed under ambient temperature and V_{DD} supply voltage conditions summarized in Table 10.

Table 49. NRST pin characteristics

Symbol	Parameter	Conditions	Min	Typ	Max	Unit
$V_{IL(NRST)}^{(1)}$	NRST Input low level voltage		-0.5		0.8	V
$V_{IH(NRST)}^{(1)}$	NRST Input high level voltage		2		$V_{DD}+0.5$	
$V_{hys(NRST)}$	NRST Schmitt trigger voltage hysteresis			200		mV
R_{PU}	Weak pull-up equivalent resistor ⁽²⁾	$V_{IN} = V_{SS}$	30	40	50	k Ω
$V_{F(NRST)}^{(1)}$	NRST Input filtered pulse				100	ns
$V_{NF(NRST)}^{(1)}$	NRST Input not filtered pulse		300			ns

1. Guaranteed by design, not tested in production.
2. The pull-up is designed with a true resistance in series with a switchable PMOS. This PMOS contribution to the series resistance must be minimum (~10% order).

Figure 47. Recommended NRST pin protection



1. The reset network protects the device against parasitic resets.
2. The user must ensure that the level on the NRST pin can go below the $V_{IL(NRST)}$ max level specified in Table 49. Otherwise the reset will not be taken into account by the device.

5.3.16 TIM timer characteristics

The parameters given in [Table 50](#) are guaranteed by design.

Refer to [Section 5.3.14: I/O port characteristics](#) for details on the input/output alternate function characteristics (output compare, input capture, external clock, PWM output).

Table 50. TIMx⁽¹⁾ characteristics

Symbol	Parameter	Conditions	Min	Max	Unit
$t_{res(TIM)}$	Timer resolution time		1		$t_{TIMxCLK}$
		$f_{TIMxCLK} = 72 \text{ MHz}$	13.9		ns
f_{EXT}	Timer external clock frequency on CH1 to CH4		0	$f_{TIMxCLK}/2$	MHz
		$f_{TIMxCLK} = 72 \text{ MHz}$	0	36	MHz
Res_{TIM}	Timer resolution			16	bit
$t_{COUNTER}$	16-bit counter clock period when internal clock is selected		1	65536	$t_{TIMxCLK}$
		$f_{TIMxCLK} = 72 \text{ MHz}$	0.0139	910	μs
t_{MAX_COUNT}	Maximum possible count			65536×65536	$t_{TIMxCLK}$
		$f_{TIMxCLK} = 72 \text{ MHz}$		59.6	s

1. TIMx is used as a general term to refer to the TIM1, TIM2, TIM3 and TIM4 timers.

5.3.17 Communications interfaces

I²C interface characteristics

Unless otherwise specified, the parameters given in [Table 51](#) are derived from tests performed under ambient temperature, f_{PCLK1} frequency and V_{DD} supply voltage conditions summarized in [Table 10](#).

The STM32F103xC, STM32F103xD and STM32F103xE/STM32F103xF and STM32F103xG performance line I²C interface meets the requirements of the standard I²C communication protocol with the following restrictions: the I/O pins SDA and SCL are mapped to are not “true” open-drain. When configured as open-drain, the PMOS connected between the I/O pin and V_{DD} is disabled, but is still present.

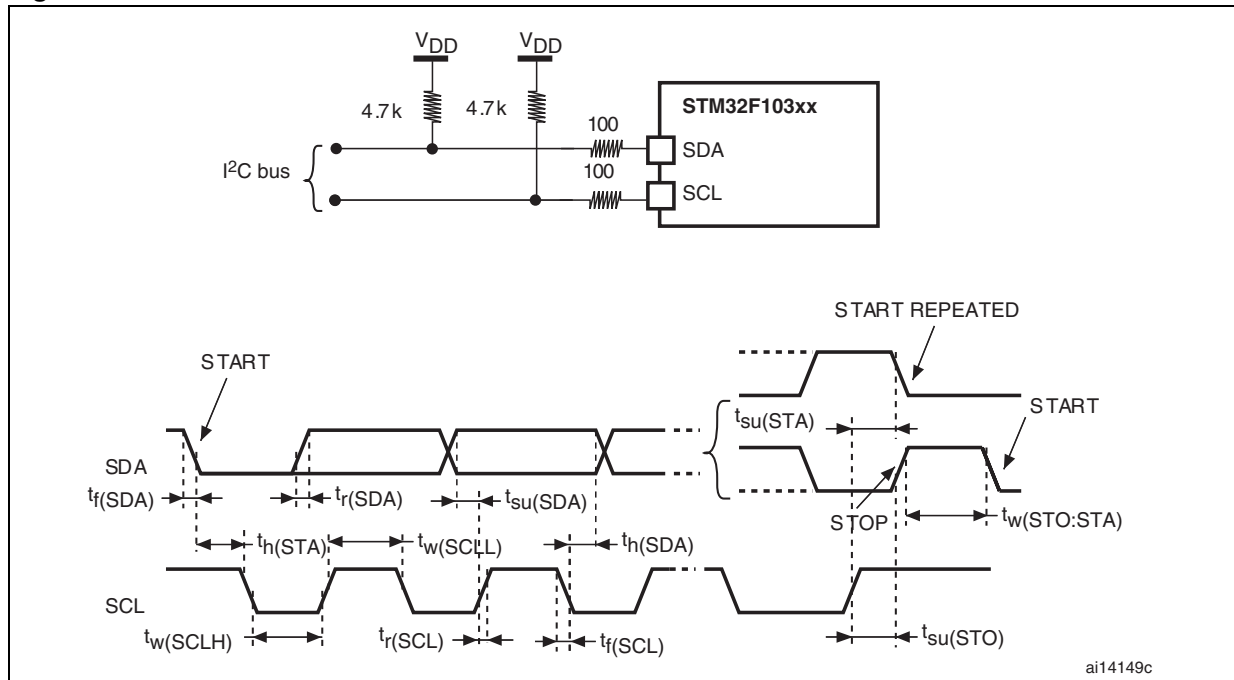
The I²C characteristics are described in [Table 51](#). Refer also to [Section 5.3.14: I/O port characteristics](#) for more details on the input/output alternate function characteristics (SDA and SCL).

Table 51. I²C characteristics

Symbol	Parameter	Standard mode I ² C ⁽¹⁾		Fast mode I ² C ⁽¹⁾⁽²⁾		Unit
		Min	Max	Min	Max	
$t_{w(SCLL)}$	SCL clock low time	4.7		1.3		μs
$t_{w(SCLH)}$	SCL clock high time	4.0		0.6		
$t_{su(SDA)}$	SDA setup time	250		100		ns
$t_h(SDA)$	SDA data hold time	0 ⁽³⁾		0 ⁽⁴⁾	900 ⁽³⁾	
$t_r(SDA)$ $t_r(SCL)$	SDA and SCL rise time		1000	$20 + 0.1C_b$	300	
$t_f(SDA)$ $t_f(SCL)$	SDA and SCL fall time		300		300	
$t_h(STA)$	Start condition hold time	4.0		0.6		μs
$t_{su(STA)}$	Repeated Start condition setup time	4.7		0.6		
$t_{su(STO)}$	Stop condition setup time	4.0		0.6		μs
$t_w(STO:STA)$	Stop to Start condition time (bus free)	4.7		1.3		μs
C_b	Capacitive load for each bus line		400		400	pF

1. Guaranteed by design, not tested in production.
2. f_{PCLK1} must be higher than 2 MHz to achieve standard mode I²C frequencies. It must be higher than 4 MHz to achieve the fast mode I²C frequencies and it must be a multiple of 10 MHz in order to reach the I2C fast mode maximum clock speed of 400 kHz.
3. The maximum hold time of the Start condition has only to be met if the interface does not stretch the low period of SCL signal.
4. The device must internally provide a hold time of at least 300ns for the SDA signal in order to bridge the undefined region of the falling edge of SCL.

Figure 48. I²C bus AC waveforms and measurement circuit



1. Measurement points are done at CMOS levels: 0.3V_{DD} and 0.7V_{DD}.

Table 52. SCL frequency (f_{PCLK1} = 36 MHz., V_{DD} = 3.3 V)⁽¹⁾⁽²⁾

f _{SCL} (kHz)	I2C_CCR value
	R _P = 4.7 kΩ
400	0x801E
300	0x8028
200	0x803C
100	0x00B4
50	0x0168
20	0x0384

1. R_P = External pull-up resistance, f_{SCL} = I²C speed.
2. For speeds around 200 kHz, the tolerance on the achieved speed is of ±5%. For other speed ranges, the tolerance on the achieved speed ±2%. These variations depend on the accuracy of the external components used to design the application.

I²S - SPI characteristics

Unless otherwise specified, the parameters given in [Table 53](#) for SPI or in [Table 54](#) for I²S are derived from tests performed under ambient temperature, f_{PCLKx} frequency and V_{DD} supply voltage conditions summarized in [Table 10](#).

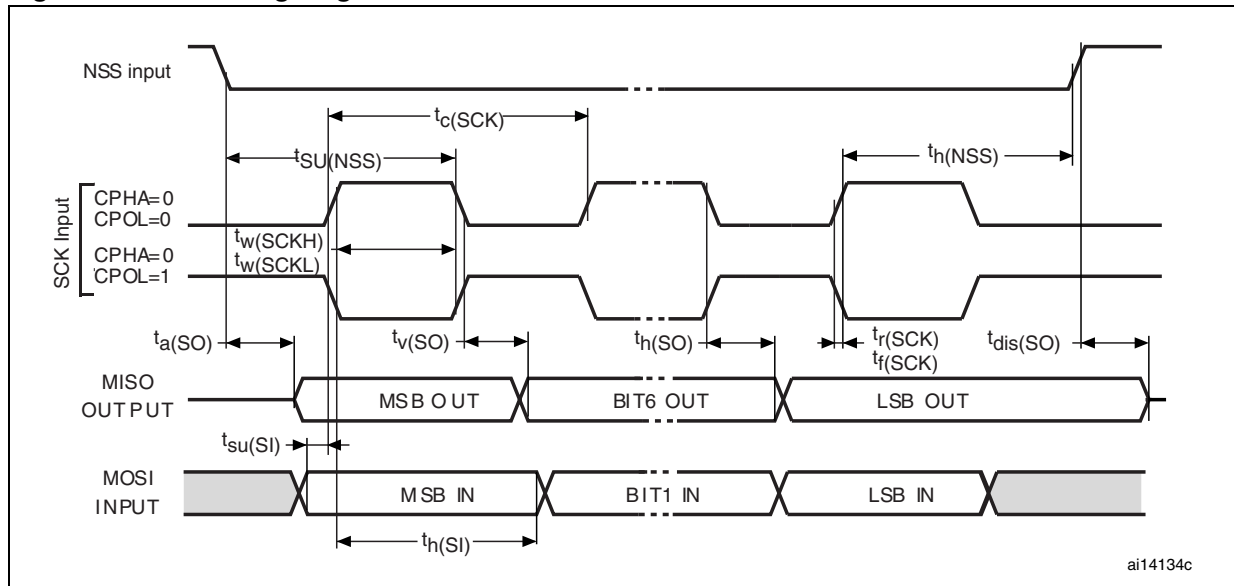
Refer to [Section 5.3.14: I/O port characteristics](#) for more details on the input/output alternate function characteristics (NSS, SCK, MOSI, MISO for SPI and WS, CK, SD for I²S).

Table 53. SPI characteristics

Symbol	Parameter	Conditions	Min	Max	Unit
f_{SCK} $1/t_{c(SCK)}$	SPI clock frequency	Master mode		18	MHz
		Slave mode		18	
$t_{r(SCK)}$ $t_{f(SCK)}$	SPI clock rise and fall time	Capacitive load: C = 30 pF		8	ns
DuCy(SCK)	SPI slave input clock duty cycle	Slave mode	30	70	%
$t_{su(NSS)}^{(1)}$	NSS setup time	Slave mode	$4t_{PCLK}$		ns
$t_{h(NSS)}^{(1)}$	NSS hold time	Slave mode	$2t_{PCLK}$		
$t_{w(SCKH)}^{(1)}$ $t_{w(SCKL)}^{(1)}$	SCK high and low time	Master mode, $f_{PCLK} = 36$ MHz, presc = 4	50	60	
$t_{su(MI)}^{(1)}$ $t_{su(SI)}^{(1)}$	Data input setup time	Master mode	5		
		Slave mode	5		
$t_{h(MI)}^{(1)}$ $t_{h(SI)}^{(1)}$	Data input hold time	Master mode	5		
		Slave mode	4		
$t_{a(SO)}^{(1)(2)}$	Data output access time	Slave mode, $f_{PCLK} = 20$ MHz	0	$3t_{PCLK}$	
$t_{dis(SO)}^{(1)(3)}$	Data output disable time	Slave mode	2	10	
$t_{v(SO)}^{(1)}$	Data output valid time	Slave mode (after enable edge)		25	
$t_{v(MO)}^{(1)}$	Data output valid time	Master mode (after enable edge)		5	
$t_{h(SO)}^{(1)}$ $t_{h(MO)}^{(1)}$	Data output hold time	Slave mode (after enable edge)	15		
		Master mode (after enable edge)	2		

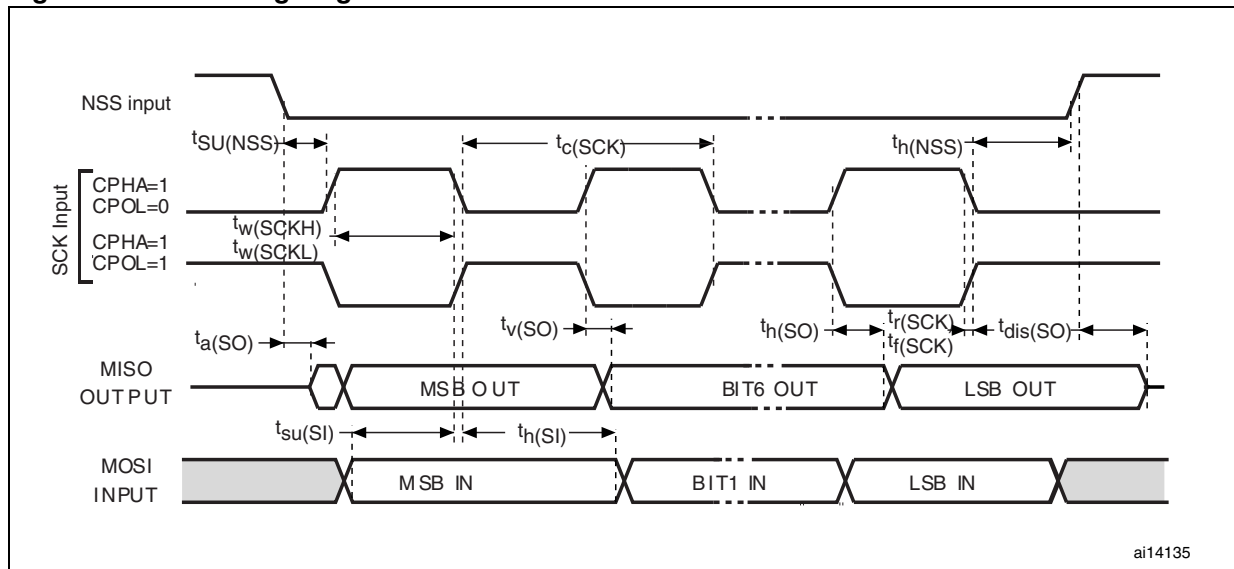
1. Based on characterization, not tested in production.
2. Min time is for the minimum time to drive the output and the max time is for the maximum time to validate the data.
3. Min time is for the minimum time to invalidate the output and the max time is for the maximum time to put the data in Hi-Z

Figure 49. SPI timing diagram - slave mode and CPHA = 0



ai14134c

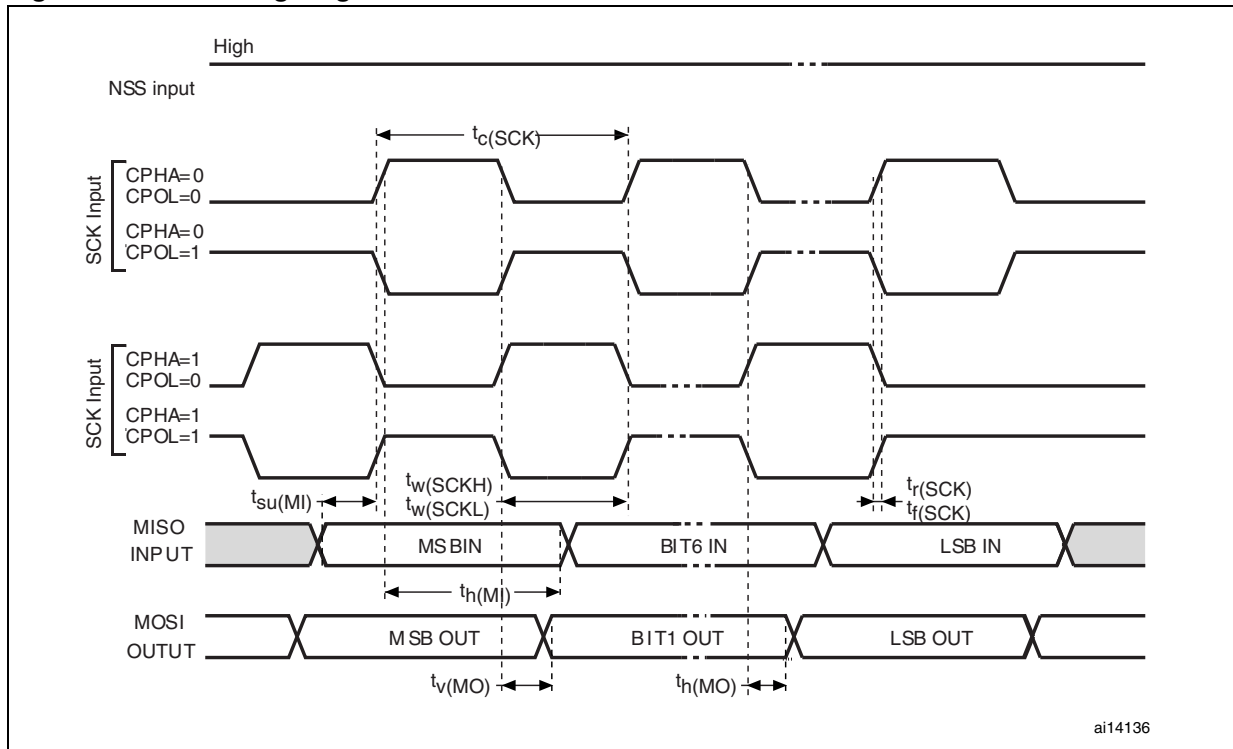
Figure 50. SPI timing diagram - slave mode and CPHA = 1⁽¹⁾



ai14135

1. Measurement points are done at CMOS levels: 0.3V_{DD} and 0.7V_{DD}.

Figure 51. SPI timing diagram - master mode⁽¹⁾



1. Measurement points are done at CMOS levels: $0.3V_{DD}$ and $0.7V_{DD}$.

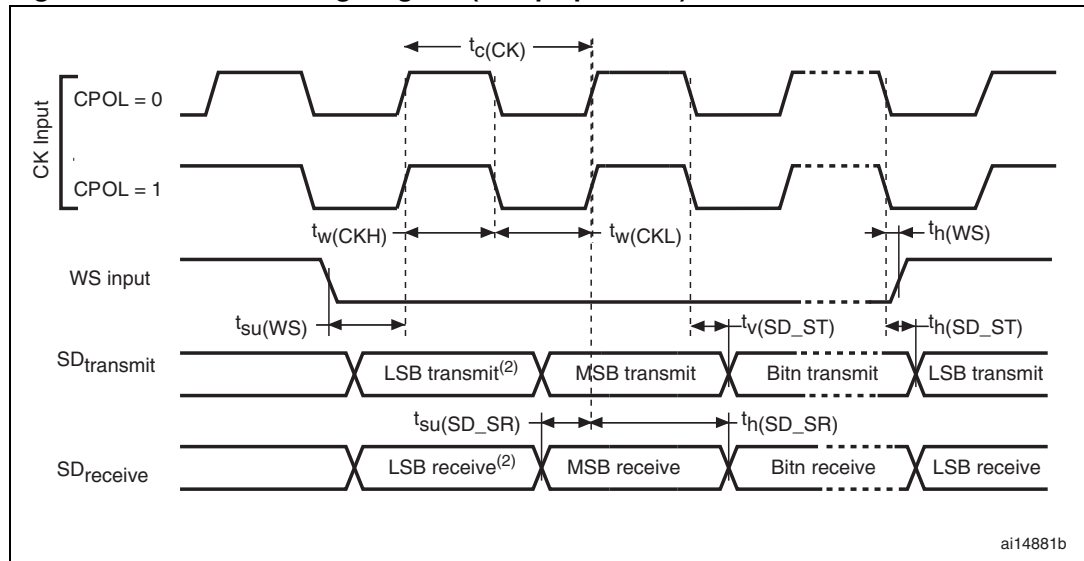
Table 54. I²S characteristics

Symbol	Parameter	Conditions	Min	Max	Unit
DuCy(SCK)	I ² S slave input clock duty cycle	Slave mode	30	70	%
f_{CK} $1/t_{c(CK)}$	I ² S clock frequency	Master mode (data: 16 bits, Audio frequency = 48 kHz)	1.522	1.525	MHz
		Slave mode	0	6.5	
$t_{r(CK)}$ $t_{f(CK)}$	I ² S clock rise and fall time	Capacitive load $C_L = 50$ pF		8	ns
$t_{v(WS)}^{(1)}$	WS valid time	Master mode	3		
$t_{h(WS)}^{(1)}$	WS hold time	Master mode	I2S2	2	
			I2S3	0	
$t_{su(WS)}^{(1)}$	WS setup time	Slave mode	4		
$t_{h(WS)}^{(1)}$	WS hold time	Slave mode	0		
$t_{w(CKH)}^{(1)}$	CK high and low time	Master $f_{PCLK} = 16$ MHz, audio frequency = 48 kHz	312.5		
$t_{w(CKL)}^{(1)}$			345		
$t_{su(SD_MR)}^{(1)}$	Data input setup time	Master receiver	I2S2	2	
			I2S3	6.5	
$t_{su(SD_SR)}^{(1)}$	Data input setup time	Slave receiver	1.5		
$t_{h(SD_MR)}^{(1)(2)}$	Data input hold time	Master receiver	0		
$t_{h(SD_SR)}^{(1)(2)}$		Slave receiver	0.5		
$t_{v(SD_ST)}^{(1)(2)}$	Data output valid time	Slave transmitter (after enable edge)		18	
$t_{h(SD_ST)}^{(1)}$	Data output hold time	Slave transmitter (after enable edge)	11		
$t_{v(SD_MT)}^{(1)(2)}$	Data output valid time	Master transmitter (after enable edge)		3	
$t_{h(SD_MT)}^{(1)}$	Data output hold time	Master transmitter (after enable edge)	0		

1. Based on design simulation and/or characterization results, not tested in production.

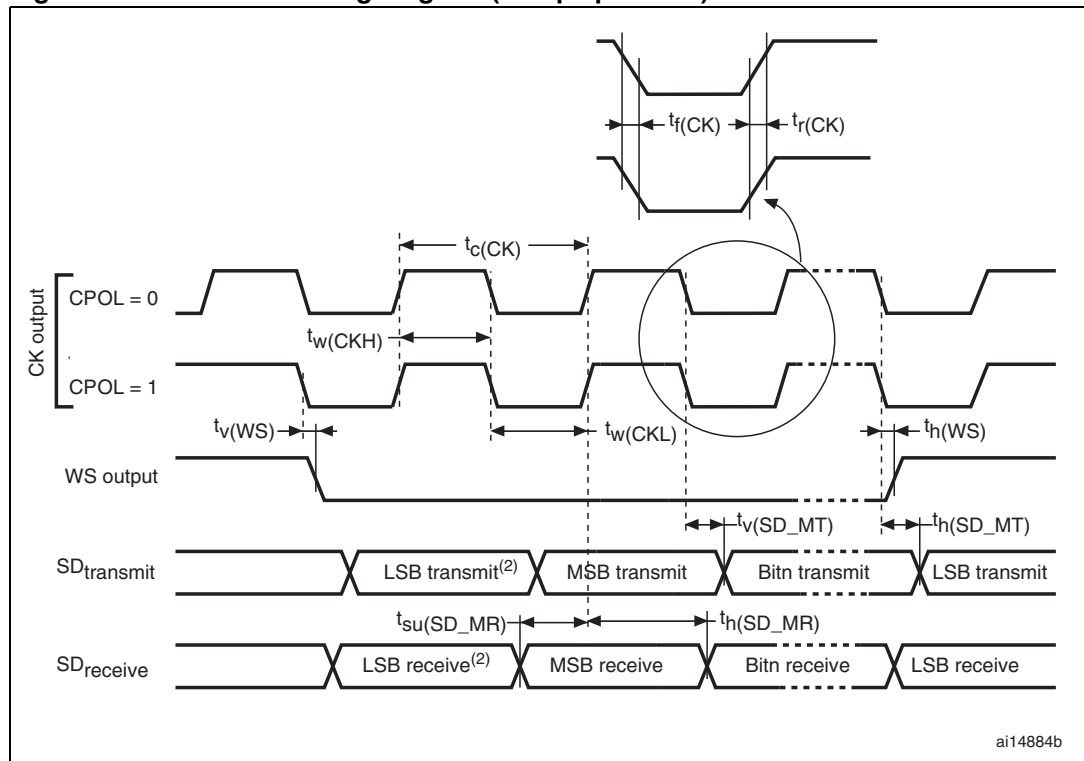
2. Depends on f_{PCLK} . For example, if $f_{PCLK} = 8$ MHz, then $T_{PCLK} = 1/f_{PCLK} = 125$ ns.

Figure 52. I²S slave timing diagram (Philips protocol)⁽¹⁾



1. Measurement points are done at CMOS levels: $0.3 \times V_{DD}$ and $0.7 \times V_{DD}$.
2. LSB transmit/receive of the previously transmitted byte. No LSB transmit/receive is sent before the first byte.

Figure 53. I²S master timing diagram (Philips protocol)⁽¹⁾



1. Based on characterization, not tested in production.
2. LSB transmit/receive of the previously transmitted byte. No LSB transmit/receive is sent before the first byte.

SD/SDIO MMC card host interface (SDIO) characteristics

Unless otherwise specified, the parameters given in [Table 55](#) are derived from tests performed under ambient temperature, f_{PCLKx} frequency and V_{DD} supply voltage conditions summarized in [Table 10](#).

Refer to [Section 5.3.14: I/O port characteristics](#) for more details on the input/output alternate function characteristics (D[7:0], CMD, CK).

Figure 54. SDIO high-speed mode

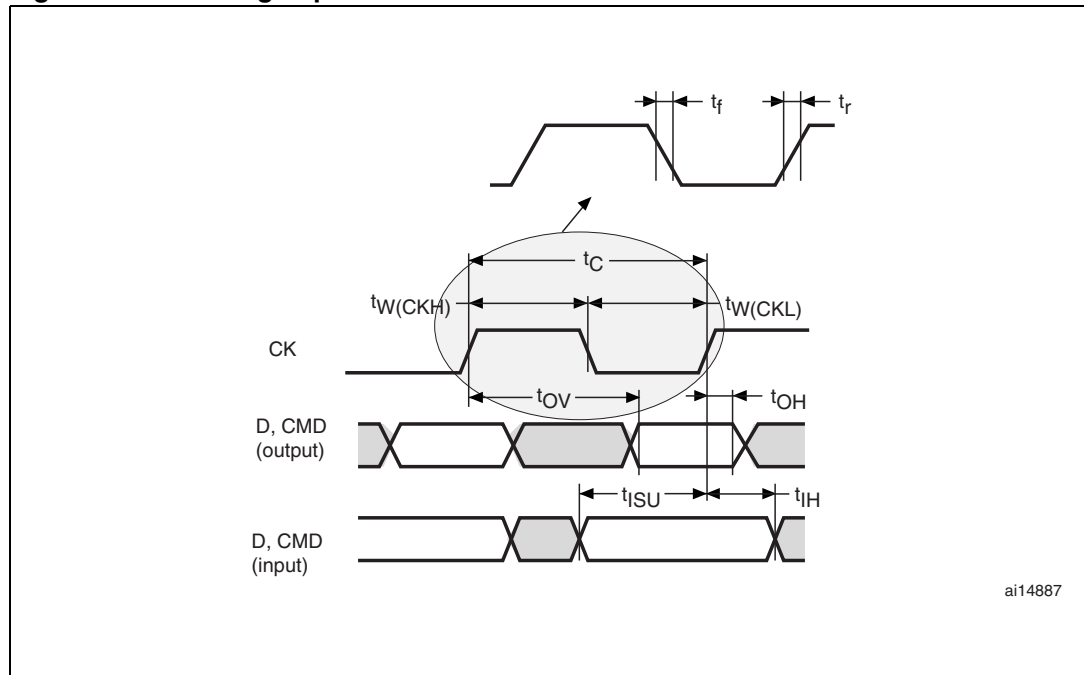


Figure 55. SD default mode

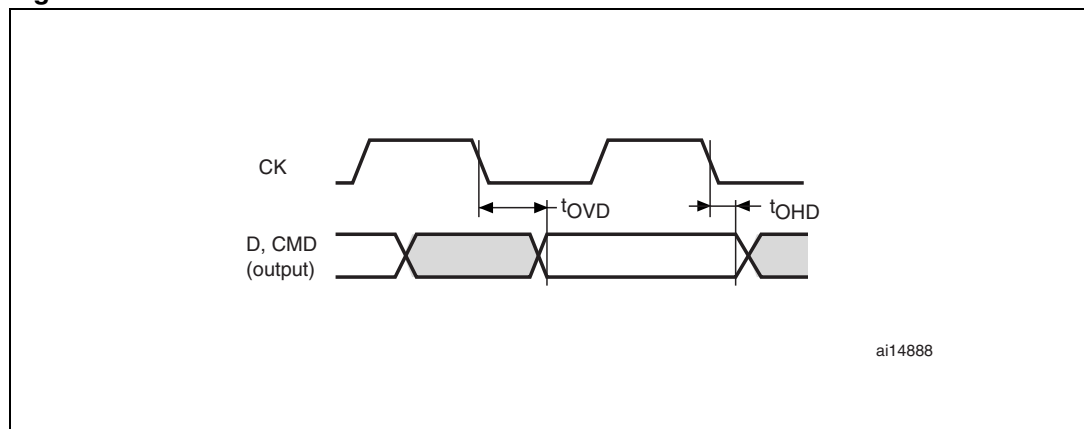


Table 55. SD / MMC characteristics

Symbol	Parameter	Conditions	Min	Max	Unit
f_{PP}	Clock frequency in data transfer mode	$C_L \leq 30$ pF	0	48	MHz
$t_{W(CKL)}$	Clock low time, $f_{PP} = 16$ MHz	$C_L \leq 30$ pF	32		ns
$t_{W(CKH)}$	Clock high time, $f_{PP} = 16$ MHz	$C_L \leq 30$ pF	31		
t_r	Clock rise time	$C_L \leq 30$ pF		3.5	
t_f	Clock fall time	$C_L \leq 30$ pF		5	
CMD, D inputs (referenced to CK)					
t_{ISU}	Input setup time	$C_L \leq 30$ pF	2		ns
t_{IH}	Input hold time	$C_L \leq 30$ pF	0		
CMD, D outputs (referenced to CK) in MMC and SD HS mode					
t_{OV}	Output valid time	$C_L \leq 30$ pF		6	ns
t_{OH}	Output hold time	$C_L \leq 30$ pF	0.3		
CMD, D outputs (referenced to CK) in SD default mode⁽¹⁾					
t_{OVD}	Output valid default time	$C_L \leq 30$ pF		7	ns
t_{OHD}	Output hold default time	$C_L \leq 30$ pF	0.5		

1. Refer to SDIO_CLKCR, the SDI clock control register to control the CK output.

USB characteristics

The USB interface is USB-IF certified (Full Speed).

Table 56. USB startup time

Symbol	Parameter	Max	Unit
$t_{STARTUP}^{(1)}$	USB transceiver startup time	1	μ s

1. Guaranteed by design, not tested in production.

Table 57. USB DC electrical characteristics

Symbol	Parameter	Conditions	Min. ⁽¹⁾	Max. ⁽¹⁾	Unit
Input levels					
V _{DD}	USB operating voltage ⁽²⁾		3.0 ⁽³⁾	3.6	V
V _{DI} ⁽⁴⁾	Differential input sensitivity	I(USBDP, USBDM)	0.2		V
V _{CM} ⁽⁴⁾	Differential common mode range	Includes V _{DI} range	0.8	2.5	
V _{SE} ⁽⁴⁾	Single ended receiver threshold		1.3	2.0	
Output levels					
V _{OL}	Static output level low	R _L of 1.5 kΩ to 3.6 V ⁽⁵⁾		0.3	V
V _{OH}	Static output level high	R _L of 15 kΩ to V _{SS} ⁽⁵⁾	2.8	3.6	

1. All the voltages are measured from the local ground potential.
2. To be compliant with the USB 2.0 full-speed electrical specification, the USBDP (D+) pin should be pulled up with a 1.5 kΩ resistor to a 3.0-to-3.6 V voltage range.
3. The STM32F103xx USB functionality is ensured down to 2.7 V but not the full USB electrical characteristics which are degraded in the 2.7-to-3.0 V V_{DD} voltage range.
4. Guaranteed by characterization, not tested in production.
5. R_L is the load connected on the USB drivers

Figure 56. USB timings: definition of data signal rise and fall time

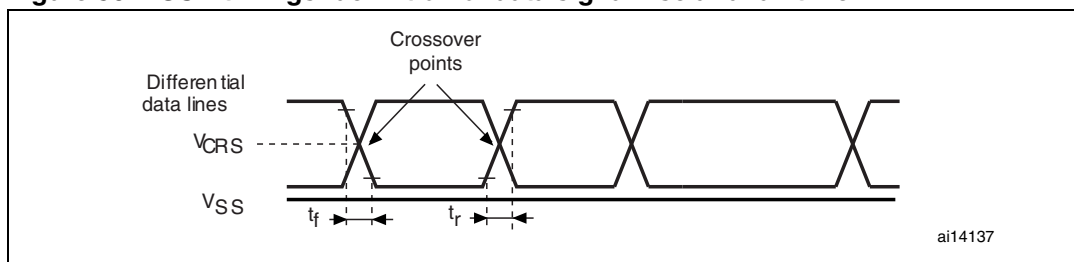


Table 58. USB: full-speed electrical characteristics

Driver characteristics ⁽¹⁾					
Symbol	Parameter	Conditions	Min	Max	Unit
t _r	Rise time ⁽²⁾	C _L = 50 pF	4	20	ns
t _f	Fall Time ⁽²⁾	C _L = 50 pF	4	20	ns
t _{rfm}	Rise/ fall time matching	t _r /t _f	90	110	%
V _{CRS}	Output signal crossover voltage		1.3	2.0	V

1. Guaranteed by design, not tested in production.
2. Measured from 10% to 90% of the data signal. For more detailed informations, please refer to USB Specification - Chapter 7 (version 2.0).

5.3.18 CAN (controller area network) interface

Refer to [Section 5.3.14: I/O port characteristics](#) for more details on the input/output alternate function characteristics (CAN_TX and CAN_RX).

5.3.19 12-bit ADC characteristics

Unless otherwise specified, the parameters given in [Table 59](#) are preliminary values derived from tests performed under ambient temperature, f_{PCLK2} frequency and V_{DDA} supply voltage conditions summarized in [Table 10](#).

Note: It is recommended to perform a calibration after each power-up.

Table 59. ADC characteristics

Symbol	Parameter	Conditions	Min	Typ	Max	Unit
V_{DDA}	Power supply		2.4		3.6	V
V_{REF+}	Positive reference voltage		2.4		V_{DDA}	V
I_{VREF}	Current on the V_{REF} input pin			160 ⁽¹⁾	220	μA
f_{ADC}	ADC clock frequency		0.6		14	MHz
$f_S^{(2)}$	Sampling rate		0.05		1	MHz
$f_{TRIG}^{(2)}$	External trigger frequency	$f_{ADC} = 14$ MHz			823	kHz
					17	$1/f_{ADC}$
V_{AIN}	Conversion voltage range ⁽³⁾		0 (V_{SSA} or V_{REF-} tied to ground)		V_{REF+}	V
$R_{AIN}^{(2)}$	External input impedance	See Equation 1 and Table 60 for details			50	k Ω
$R_{ADC}^{(2)}$	Sampling switch resistance				1	k Ω
$C_{ADC}^{(2)}$	Internal sample and hold capacitor				8	pF
$t_{CAL}^{(2)}$	Calibration time	$f_{ADC} = 14$ MHz	5.9			μs
			83			$1/f_{ADC}$
$t_{lat}^{(2)}$	Injection trigger conversion latency	$f_{ADC} = 14$ MHz			0.214	μs
					3 ⁽⁴⁾	$1/f_{ADC}$
$t_{latr}^{(2)}$	Regular trigger conversion latency	$f_{ADC} = 14$ MHz			0.143	μs
					2 ⁽⁴⁾	$1/f_{ADC}$
$t_S^{(2)}$	Sampling time	$f_{ADC} = 14$ MHz	0.107		17.1	μs
			1.5		239.5	$1/f_{ADC}$
$t_{STAB}^{(2)}$	Power-up time		0	0	1	μs
$t_{CONV}^{(2)}$	Total conversion time (including sampling time)	$f_{ADC} = 14$ MHz	1		18	μs
			14 to 252 (t_S for sampling +12.5 for successive approximation)			$1/f_{ADC}$

1. Based on characterization, not tested in production.
2. Guaranteed by design, not tested in production.
3. V_{REF+} can be internally connected to V_{DDA} and V_{REF-} can be internally connected to V_{SSA} , depending on the package. Refer to [Section 3: Pinouts and pin descriptions](#) for further details.
4. For external triggers, a delay of $1/f_{PCLK2}$ must be added to the latency specified in [Table 59](#).

Equation 1: R_{AIN} max formula

$$R_{AIN} < \frac{T_S}{f_{ADC} \times C_{ADC} \times \ln(2^{N+2})} - R_{ADC}$$

The formula above ([Equation 1](#)) is used to determine the maximum external impedance allowed for an error below 1/4 of LSB. Here N = 12 (from 12-bit resolution).

Table 60. R_{AIN} max for f_{ADC} = 14 MHz⁽¹⁾

T _s (cycles)	t _s (μs)	R _{AIN} max (kΩ)
1.5	0.11	0.4
7.5	0.54	5.9
13.5	0.96	11.4
28.5	2.04	25.2
41.5	2.96	37.2
55.5	3.96	50
71.5	5.11	NA
239.5	17.1	NA

1. Guaranteed by design, not tested in production.

Table 61. ADC accuracy - limited test conditions⁽¹⁾⁽²⁾

Symbol	Parameter	Test conditions	Typ	Max ⁽³⁾	Unit
ET	Total unadjusted error	f _{PCLK2} = 56 MHz, f _{ADC} = 14 MHz, R _{AIN} < 10 kΩ, V _{DDA} = 3 V to 3.6 V T _A = 25 °C Measurements made after ADC calibration V _{REF+} = V _{DDA}	±1.3	±2	LSB
EO	Offset error		±1	±1.5	
EG	Gain error		±0.5	±1.5	
ED	Differential linearity error		±0.7	±1	
EL	Integral linearity error		±0.8	±1.5	

- ADC DC accuracy values are measured after internal calibration.
- ADC Accuracy vs. Negative Injection Current: Injecting negative current on any of the standard (non-robust) analog input pins should be avoided as this significantly reduces the accuracy of the conversion being performed on another analog input. It is recommended to add a Schottky diode (pin to ground) to standard analog pins which may potentially inject negative current.
Any positive injection current within the limits specified for I_{INJ(PIN)} and ΣI_{INJ(PIN)} in [Section 5.3.14](#) does not affect the ADC accuracy.
- Based on characterisation, not tested in production.

Table 62. ADC accuracy^{(1) (2)(3)}

Symbol	Parameter	Test conditions	Typ	Max ⁽⁴⁾	Unit
ET	Total unadjusted error	$f_{PCLK2} = 56 \text{ MHz}$, $f_{ADC} = 14 \text{ MHz}$, $R_{AIN} < 10 \text{ k}\Omega$, $V_{DDA} = 2.4 \text{ V to } 3.6 \text{ V}$ Measurements made after ADC calibration	± 2	± 5	LSB
EO	Offset error		± 1.5	± 2.5	
EG	Gain error		± 1.5	± 3	
ED	Differential linearity error		± 1	± 2	
EL	Integral linearity error		± 1.5	± 3	

1. ADC DC accuracy values are measured after internal calibration.
2. Better performance could be achieved in restricted V_{DD} , frequency, V_{REF} and temperature ranges.
3. ADC Accuracy vs. Negative Injection Current: Injecting negative current on any of the standard (non-robust) analog input pins should be avoided as this significantly reduces the accuracy of the conversion being performed on another analog input. It is recommended to add a Schottky diode (pin to ground) to standard analog pins which may potentially inject negative current. Any positive injection current within the limits specified for $I_{INJ(PIN)}$ and $\Sigma I_{INJ(PIN)}$ in [Section 5.3.14](#) does not affect the ADC accuracy.
4. Based on characterisation, not tested in production.

Figure 57. ADC accuracy characteristics

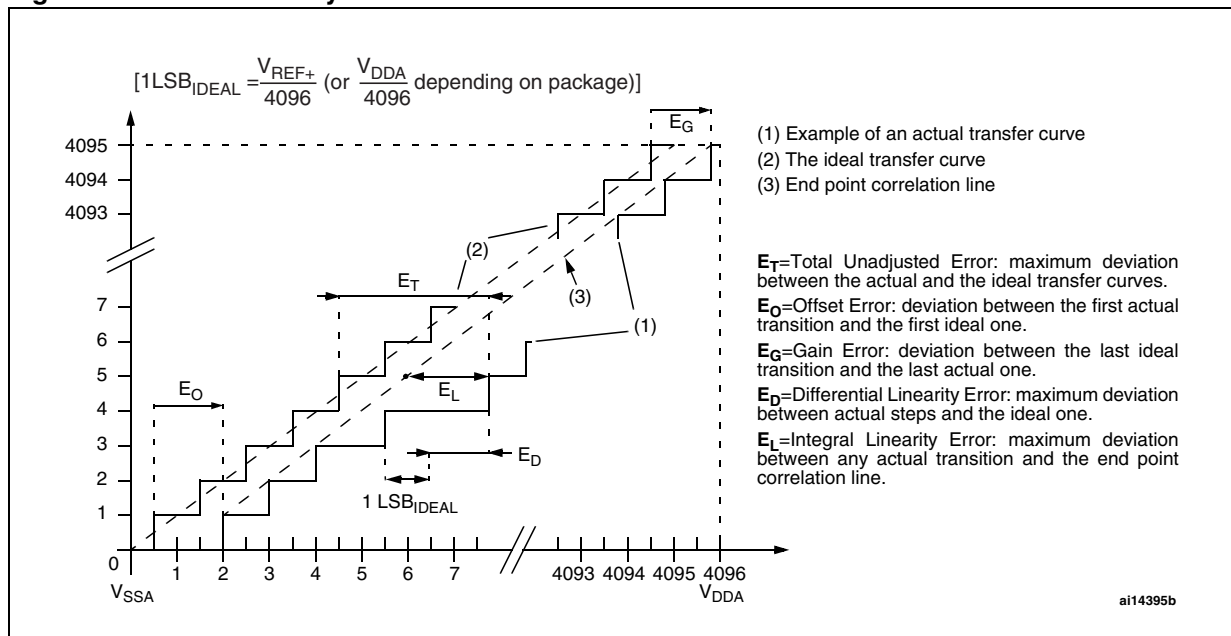
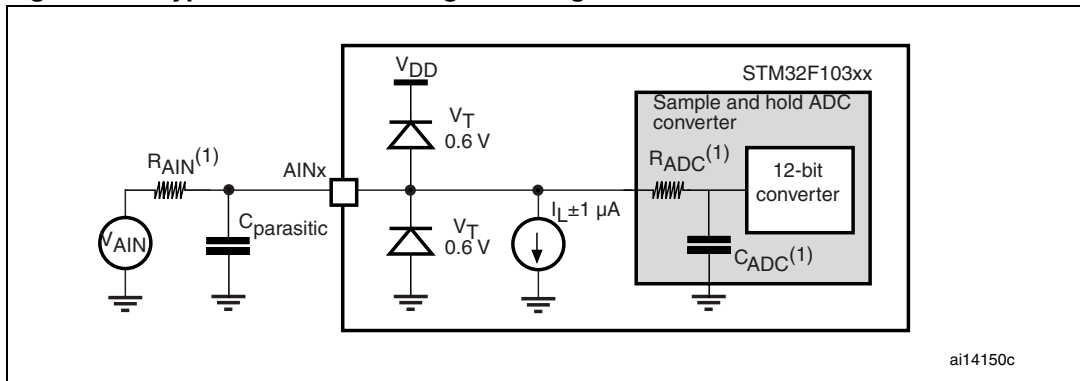


Figure 58. Typical connection diagram using the ADC

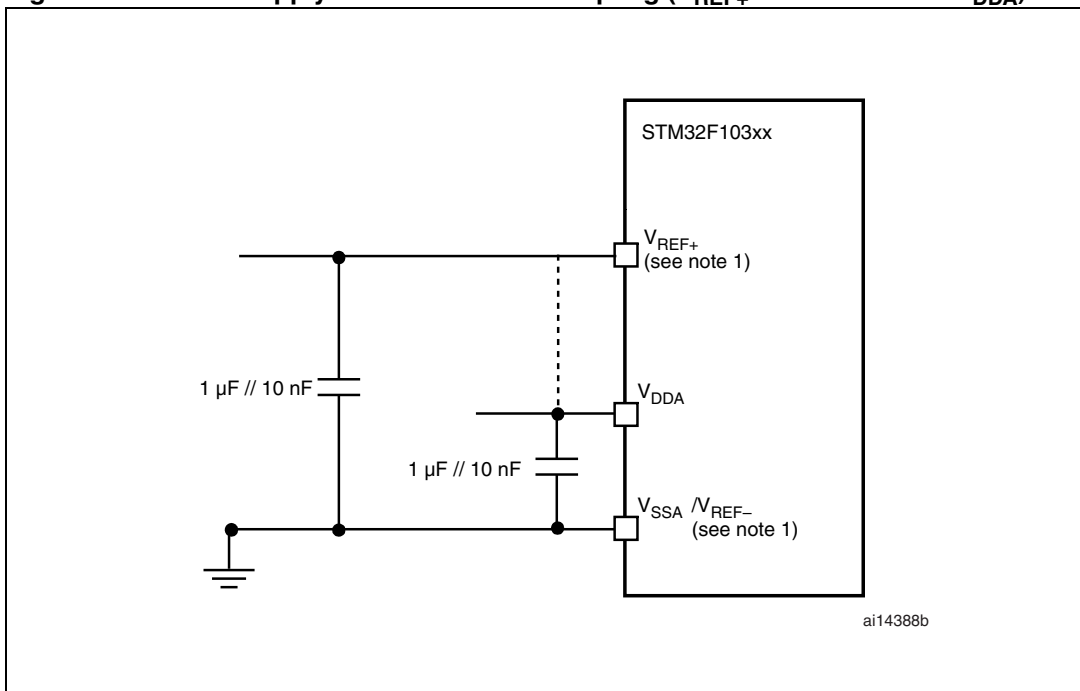


1. Refer to [Table 59](#) for the values of R_{AIN} , R_{ADC} and C_{ADC} .
2. $C_{parasitic}$ represents the capacitance of the PCB (dependent on soldering and PCB layout quality) plus the pad capacitance (roughly 7 pF). A high $C_{parasitic}$ value will downgrade conversion accuracy. To remedy this, f_{ADC} should be reduced.

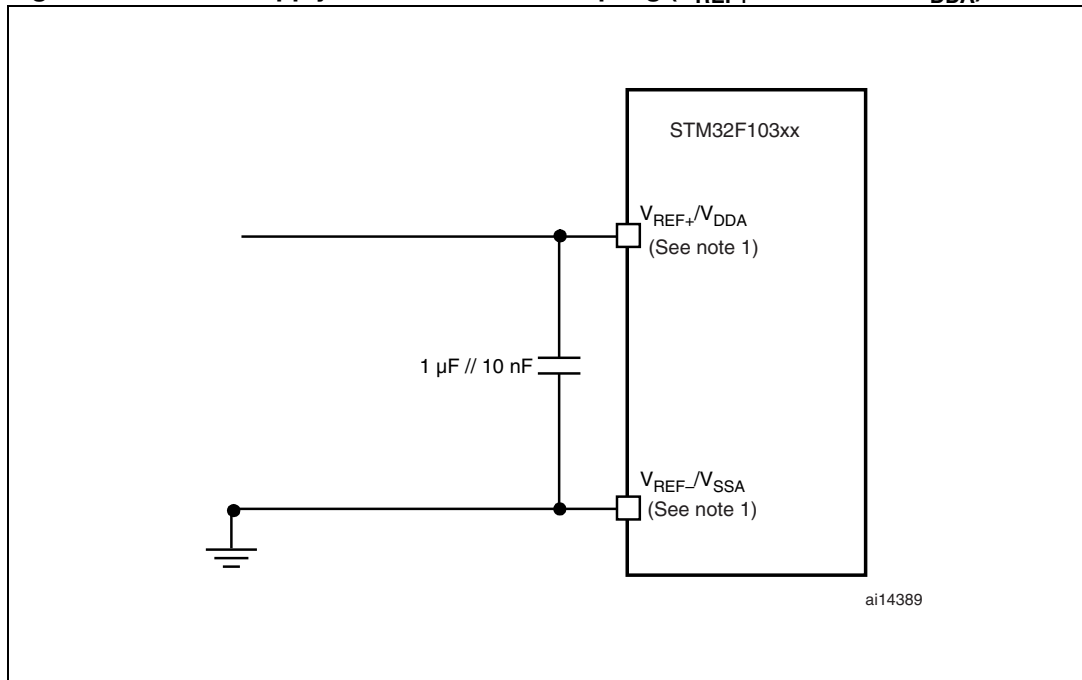
General PCB design guidelines

Power supply decoupling should be performed as shown in [Figure 59](#) or [Figure 60](#), depending on whether V_{REF+} is connected to V_{DDA} or not. The 10 nF capacitors should be ceramic (good quality). They should be placed them as close as possible to the chip.

Figure 59. Power supply and reference decoupling (V_{REF+} not connected to V_{DDA})



1. V_{REF+} and V_{REF-} inputs are available only on 100-pin packages.

Figure 60. Power supply and reference decoupling (V_{REF+} connected to V_{DDA})

1. V_{REF+} and V_{REF-} inputs are available only on 100-pin packages.

5.3.20 DAC electrical specifications

Table 63. DAC characteristics

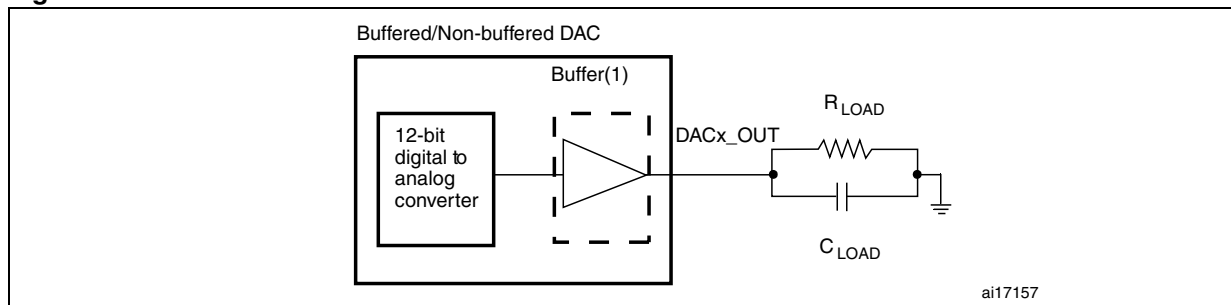
Symbol	Parameter	Min	Typ	Max	Unit	Comments
V_{DDA}	Analog supply voltage	2.4		3.6	V	
V_{REF+}	Reference supply voltage	2.4		3.6	V	V_{REF+} must always be below V_{DDA}
V_{SSA}	Ground	0		0	V	
$R_{LOAD}^{(1)}$	Resistive load with buffer ON	5			k Ω	
$R_O^{(1)}$	Impedance output with buffer OFF			15	k Ω	When the buffer is OFF, the Minimum resistive load between DAC_OUT and V_{SS} to have a 1% accuracy is 1.5 M Ω
$C_{LOAD}^{(1)}$	Capacitive load			50	pF	Maximum capacitive load at DAC_OUT pin (when the buffer is ON).
DAC_OUT min ⁽¹⁾	Lower DAC_OUT voltage with buffer ON	0.2			V	It gives the maximum output excursion of the DAC. It corresponds to 12-bit input code (0x0E0) to (0xF1C) at $V_{REF+} = 3.6$ V and (0x155) and (0xEAB) at $V_{REF+} = 2.4$ V
DAC_OUT max ⁽¹⁾	Higher DAC_OUT voltage with buffer ON			$V_{DDA} - 0.2$	V	
DAC_OUT min ⁽¹⁾	Lower DAC_OUT voltage with buffer OFF		0.5		mV	It gives the maximum output excursion of the DAC.
DAC_OUT max ⁽¹⁾	Higher DAC_OUT voltage with buffer OFF			$V_{REF+} - 1LSB$	V	
$I_{DDVREF+}$	DAC DC current consumption in quiescent mode (Standby mode)			220	μ A	With no load, worst code (0xF1C) at $V_{REF+} = 3.6$ V in terms of DC consumption on the inputs
I_{DDA}	DAC DC current consumption in quiescent mode (Standby mode)			380	μ A	With no load, middle code (0x800) on the inputs
				480	μ A	With no load, worst code (0xF1C) at $V_{REF+} = 3.6$ V in terms of DC consumption on the inputs
DNL ⁽²⁾	Differential non linearity Difference between two consecutive code-1LSB)			± 0.5	LSB	Given for the DAC in 10-bit configuration
				± 2	LSB	Given for the DAC in 12-bit configuration
INL ⁽²⁾	Integral non linearity (difference between measured value at Code i and the value at Code i on a line drawn between Code 0 and last Code 1023)			± 1	LSB	Given for the DAC in 10-bit configuration
				± 4	LSB	Given for the DAC in 12-bit configuration

Table 63. DAC characteristics (continued)

Symbol	Parameter	Min	Typ	Max	Unit	Comments
Offset ⁽²⁾	Offset error (difference between measured value at Code (0x800) and the ideal value = $V_{REF+}/2$)			±10	mV	Given for the DAC in 12-bit configuration
				±3	LSB	Given for the DAC in 10-bit at $V_{REF+} = 3.6\text{ V}$
				±12	LSB	Given for the DAC in 12-bit at $V_{REF+} = 3.6\text{ V}$
Gain error ⁽²⁾	Gain error			±0.5	%	Given for the DAC in 12bit configuration
$t_{SETTLING}^{(2)}$	Settling time (full scale: for a 10-bit input code transition between the lowest and the highest input codes when DAC_OUT reaches final value ±1LSB)		3	4	µs	$C_{LOAD} \leq 50\text{ pF}$, $R_{LOAD} \geq 5\text{ k}\Omega$
Update rate ⁽²⁾	Max frequency for a correct DAC_OUT change when small variation in the input code (from code i to i+1LSB)			1	MS/s	$C_{LOAD} \leq 50\text{ pF}$, $R_{LOAD} \geq 5\text{ k}\Omega$
$t_{WAKEUP}^{(2)}$	Wakeup time from off state (Setting the ENx bit in the DAC Control register)		6.5	10	µs	$C_{LOAD} \leq 50\text{ pF}$, $R_{LOAD} \geq 5\text{ k}\Omega$ input code between lowest and highest possible ones.
PSRR+ ⁽¹⁾	Power supply rejection ratio (to V_{DDA}) (static DC measurement)		-67	-40	dB	No R_{LOAD} , $C_{LOAD} = 50\text{ pF}$

1. Guaranteed by design, not tested in production.
2. Guaranteed by characterization, not tested in production.

Figure 61. 12-bit buffered /non-buffered DAC



1. The DAC integrates an output buffer that can be used to reduce the output impedance and to drive external loads directly without the use of an external operational amplifier. The buffer can be bypassed by configuring the BOFFx bit in the DAC_CR register.

5.3.21 Temperature sensor characteristics

Table 64. TS characteristics

Symbol	Parameter	Min	Typ	Max	Unit
T_L	V_{SENSE} linearity with temperature		± 1	± 2	$^{\circ}\text{C}$
Avg_Slope	Average slope	4.0	4.3	4.6	mV/ $^{\circ}\text{C}$
V_{25}	Voltage at 25 $^{\circ}\text{C}$	1.34	1.43	1.52	V
$t_{START}^{(1)}$	Startup time	4		10	μs
$T_{S_temp}^{(2)(1)}$	ADC sampling time when reading the temperature			17.1	μs

1. Guaranteed by design, not tested in production.

2. Shortest sampling time can be determined in the application by multiple iterations.

6 Package characteristics

6.1 Package mechanical data

In order to meet environmental requirements, ST offers these devices in different grades of ECOPACK[®] packages, depending on their level of environmental compliance. ECOPACK[®] specifications, grade definitions and product status are available at: www.st.com. ECOPACK[®] is an ST trademark.

Figure 62. BGA pad footprint

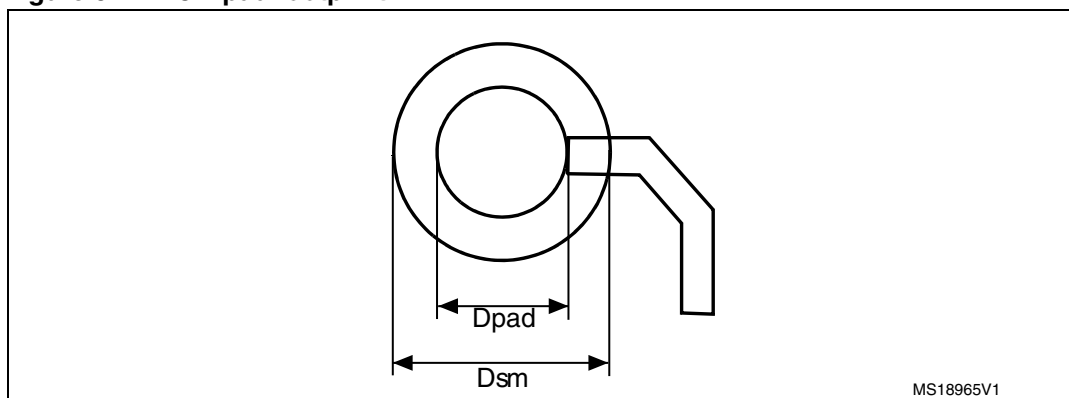
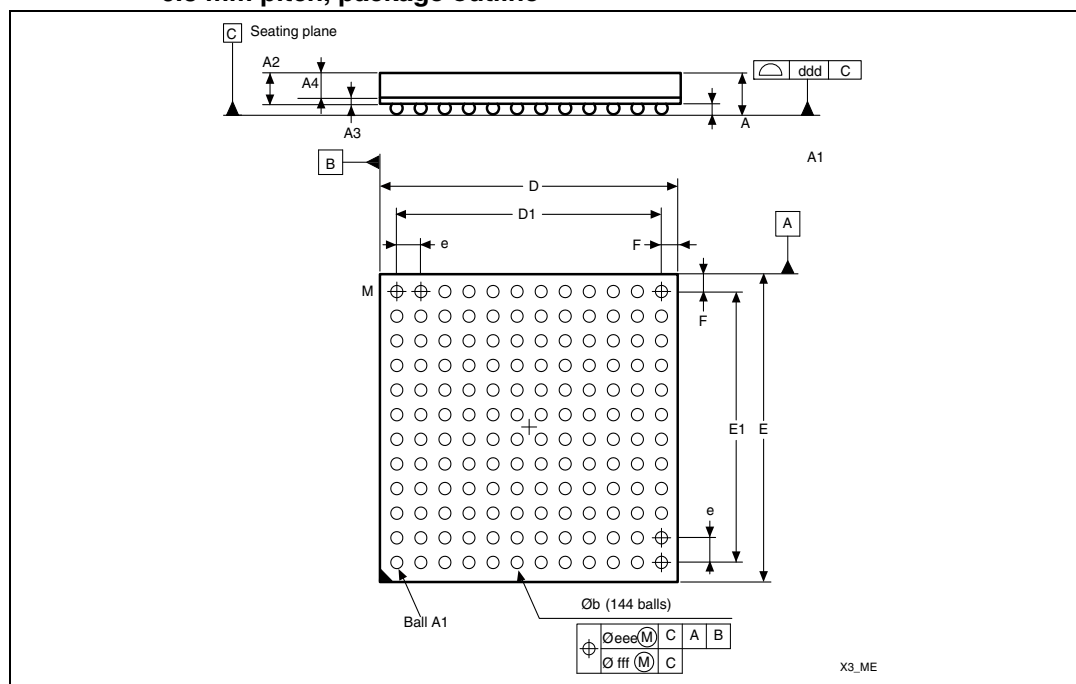


Table 65. Recommended PCB design rules (0.80/0.75 mm pitch BGA)

Dimension	Recommended values
D_{pad}	$\varnothing = 0.37$ mm
D_{sm}	$\varnothing = 0.52$ mm typ. (depends on solder mask registration tolerance)
Solder paste	0.37 mm aperture diameter
<ul style="list-style-type: none"> – Non solder mask defined pads are recommended – 4 to 6 mils screen print 	

Figure 63. LFBGA144 – 144-ball low profile fine pitch ball grid array, 10 x 10 mm, 0.8 mm pitch, package outline



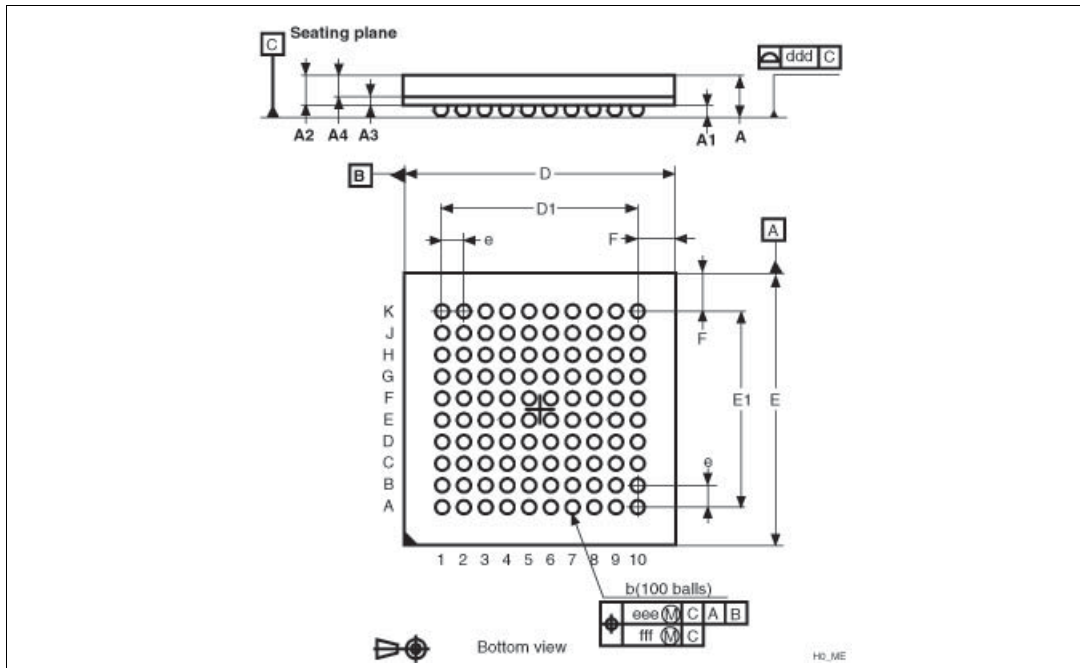
1. Drawing is not to scale.

Table 66. LFBGA144 – 144-ball low profile fine pitch ball grid array, 10 x 10 mm, 0.8 mm pitch, package data

Symbol	millimeters			inches ⁽¹⁾		
	Min	Typ	Max	Typ	Min	Max
A			1.70			0.0669
A1	0.21			0.0083		
A2		1.07			0.0421	
A3		0.27			0.0106	
A4			0.85			0.0335
b	0.35	0.40	0.45	0.0138	0.0157	0.0177
D	9.85	10.00	10.15	0.3878	0.3937	0.3996
D1		8.80			0.3465	
E	9.85	10.00	10.15	0.3878	0.3937	0.3996
E1		8.80			0.3465	
e		0.80			0.0315	
F		0.60			0.0236	
ddd		0.10			0.0039	
eee		0.15			0.0059	
fff		0.08			0.0031	

1. Values in inches are converted from mm and rounded to 4 decimal digits.

Figure 64. LFBGA100 - 10 x 10 mm low profile fine pitch ball grid array package outline



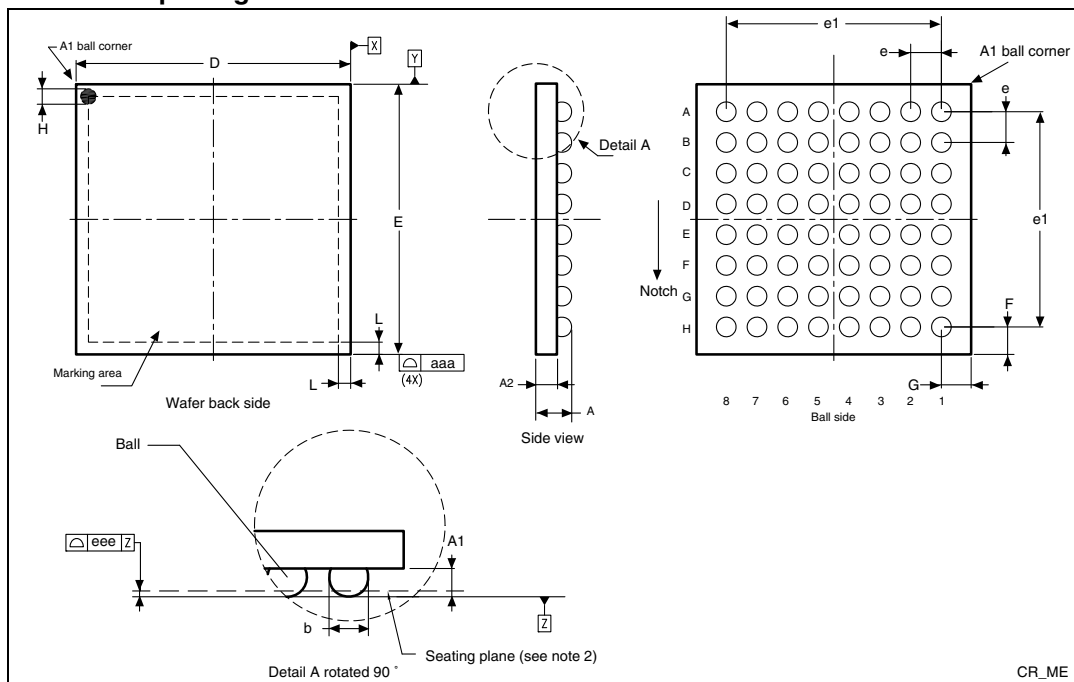
1. Drawing is not to scale.

Table 67. LFBGA100 - 10 x 10 mm low profile fine pitch ball grid array package mechanical data

Symbol	millimeters			inches ⁽¹⁾		
	Min	Typ	Max	Min	Typ	Max
A			1.700			0.0669
A1	0.270			0.0106		
A2		1.085			0.0427	
A3		0.30			0.0118	
A4			0.80			0.0315
b	0.45	0.50	0.55	0.0177	0.0197	0.0217
D	9.85	10.00	10.15	0.3878	0.3937	0.3996
D1		7.20			0.2835	
E	9.85	10.00	10.15	0.3878	0.3937	0.3996
E1		7.20			0.2835	
e		0.80			0.0315	
F		1.40			0.0551	
ddd		0.12				0.0047
eee		0.15				0.0059
fff		0.08				0.0031

1. Values in inches are converted from mm and rounded to 4 decimal digits.

Figure 65. WLCSP, 64-ball 4.466 × 4.395 mm, 0.500 mm pitch, wafer-level chip-scale package outline



1. Drawing is not to scale.
2. Primary datum Z and seating plane are defined by the spherical crowns of the ball.

Table 68. WLCSP, 64-ball 4.466 × 4.395 mm, 0.500 mm pitch, wafer-level chip-scale package mechanical data

Symbol	millimeters			inches ⁽¹⁾		
	Min	Typ	Max	Min	Typ	Max
A	0.535	0.585	0.635	0.0211	0.0230	0.0250
A1	0.205	0.230	0.255	0.0081	0.0091	0.0100
A2	0.330	0.355	0.380	0.0130	0.0140	0.0150
b ⁽²⁾	0.290	0.320	0.350	0.0114	0.0126	0.0138
e		0.500			0.0197	
e1		3.500			0.1378	
F		0.447			0.0176	
G		0.483			0.0190	
D	4.446	4.466	4.486	0.1750	0.1758	0.1766
E	4.375	4.395	4.415	0.1722	0.1730	0.1738
H		0.250			0.0098	
L		0.200			0.0079	
eee		0.05			0.0020	
aaa		0.10			0.0039	
Number of balls	64					

1. Values in inches are converted from mm and rounded to 4 decimal digits.
2. Dimension is measured at the maximum ball diameter parallel to primary datum Z.

Figure 66. BGA pad footprint

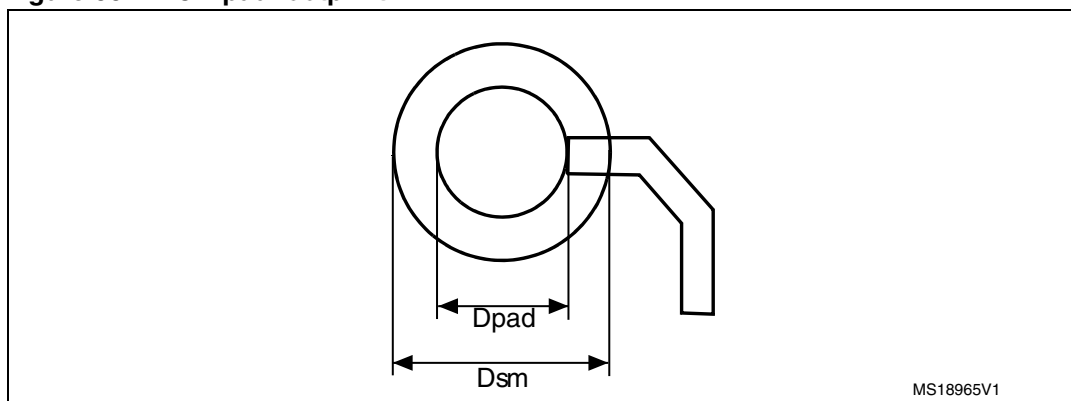


Table 69. Recommended PCB design rules (0.5mm pitch BGA)

Dimension	Recommended values
D_{pad}	$\varnothing = 300 \mu\text{m}$ (circular) - 250 μm recommended
D_{sm}	$\varnothing = 340 \mu\text{m}$ min (for 300 μm diameter pad)
PCD pad size	Cu - Ni (2-6 μm) - Au (0.2 μm max)
– Non solder mask defined – Micro via under bump allowed	

Figure 67. LQFP144, 20 x 20 mm, 144-pin low-profile quad flat package outline⁽¹⁾

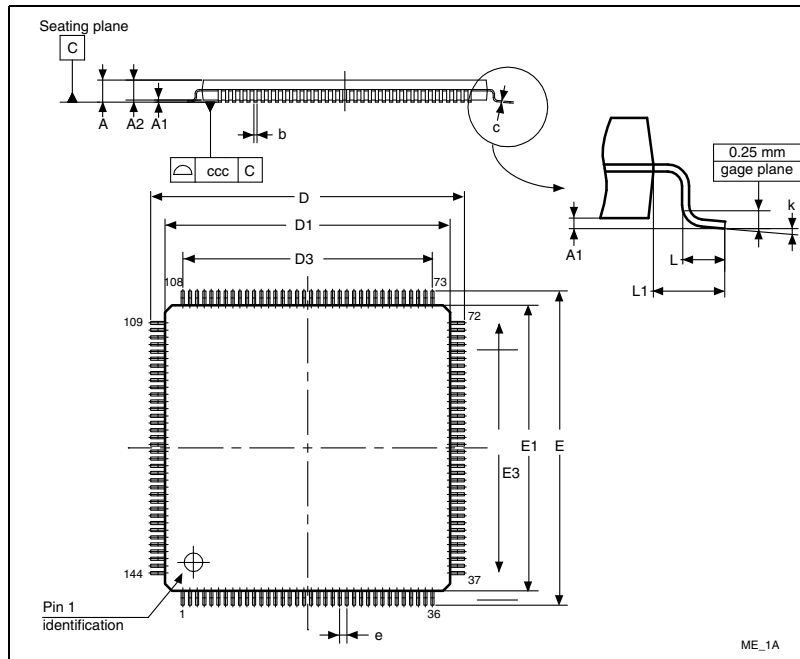
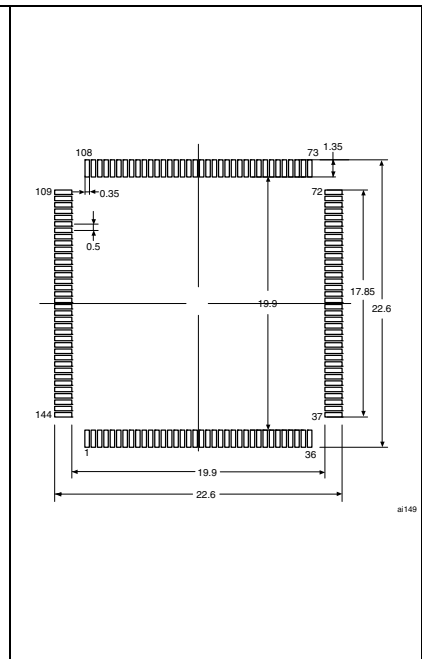


Figure 68. Recommended footprint⁽¹⁾⁽²⁾



1. Drawing is not to scale.
2. Dimensions are in millimeters.

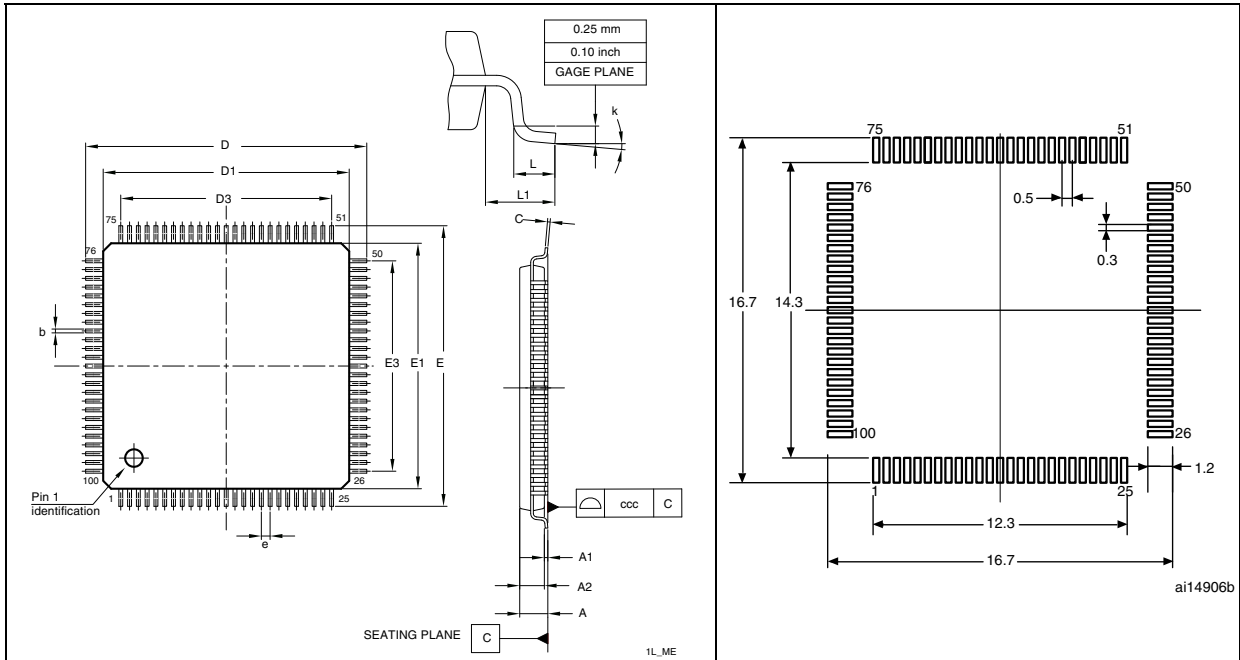
Table 70. LQFP144, 20 x 20 mm, 144-pin low-profile quad flat package mechanical data

Symbol	millimeters			inches ⁽¹⁾		
	Min	Typ	Max	Min	Typ	Max
A			1.60			0.063
A1	0.05		0.15	0.002		0.0059
A2	1.35	1.40	1.45	0.0531	0.0551	0.0571
b	0.17	0.22	0.27	0.0067	0.0087	0.0106
c	0.09		0.20	0.0035		0.0079
D	21.80	22.00	22.20	0.8583	0.8661	0.874
D1	19.80	20.00	20.20	0.7795	0.7874	0.7953
D3		17.50			0.689	
E	21.80	22.00	22.20	0.8583	0.8661	0.874
E1	19.80	20.00	20.20	0.7795	0.7874	0.7953
E3		17.50			0.689	
e		0.50			0.0197	
L	0.45	0.60	0.75	0.0177	0.0236	0.0295
L1		1.00			0.0394	
k	0°	3.5°	7°	0°	3.5°	7°
ccc	0.08			0.0031		

1. Values in inches are converted from mm and rounded to 4 decimal digits.

Figure 69. LQFP100, 14 x 14 mm 100-pin low-profile quad flat package outline⁽¹⁾

Figure 70. Recommended footprint⁽¹⁾⁽²⁾



1. Drawing is not to scale.
2. Dimensions are in millimeters.

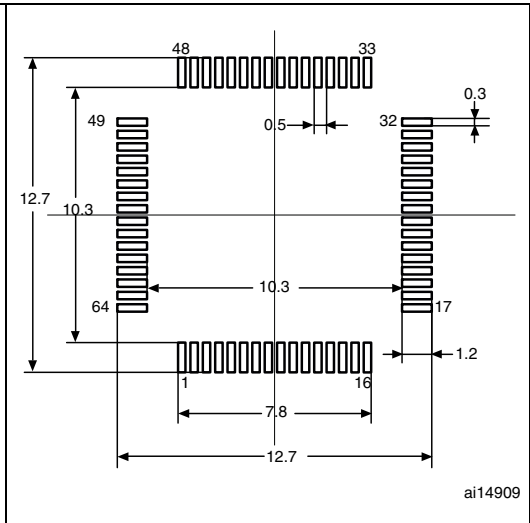
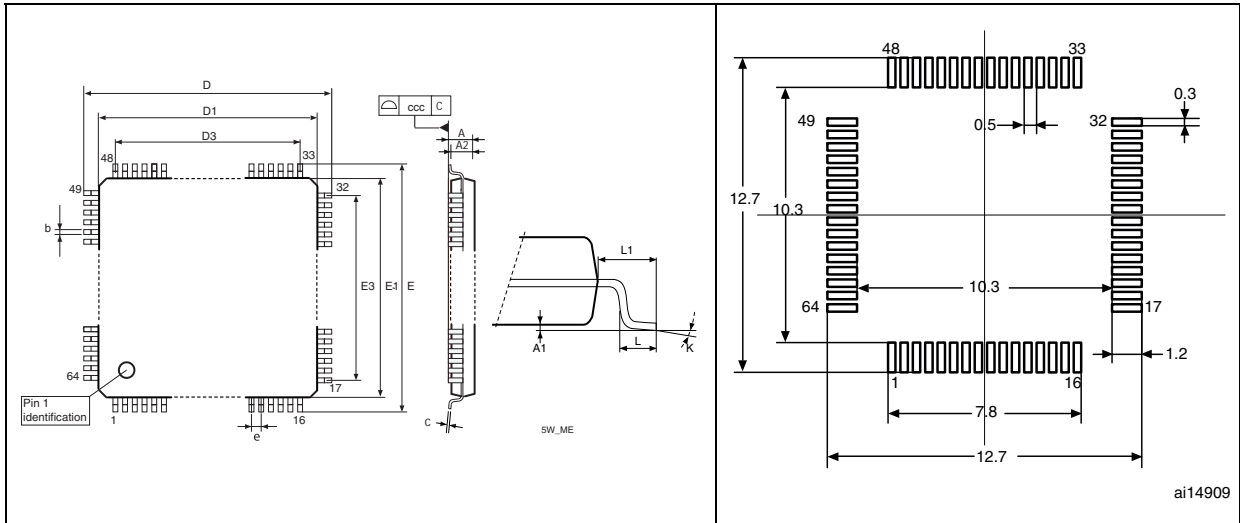
Table 71. LQFP100 – 14 x 14 mm 100-pin low-profile quad flat package mechanical data

Symbol	millimeters			inches ⁽¹⁾		
	Min	Typ	Max	Min	Typ	Max
A			1.60			0.063
A1	0.05		0.15	0.002		0.0059
A2	1.35	1.40	1.45	0.0531	0.0551	0.0571
b	0.17	0.22	0.27	0.0067	0.0087	0.0106
c	0.09		0.20	0.0035		0.0079
D	15.80	16.00	16.20	0.622	0.6299	0.6378
D1	13.80	14.00	14.20	0.5433	0.5512	0.5591
D3		12.00			0.4724	
E	15.80	16.00	16.20	0.622	0.6299	0.6378
E1	13.80	14.00	14.20	0.5433	0.5512	0.5591
E3		12.00			0.4724	
e		0.50			0.0197	
L	0.45	0.60	0.75	0.0177	0.0236	0.0295
L1		1.00			0.0394	
k	0°	3.5°	7°	0°	3.5°	7°
ccc	0.08			0.0031		

1. Values in inches are converted from mm and rounded to 4 decimal digits.

Figure 71. LQFP64 – 10 x 10 mm 64 pin low-profile quad flat package outline⁽¹⁾

Figure 72. Recommended footprint⁽¹⁾⁽²⁾



1. Drawing is not to scale.
2. Dimensions are in millimeters.

Table 72. LQFP64 – 10 x 10 mm 64 pin low-profile quad flat package mechanical data

Symbol	millimeters			inches ⁽¹⁾		
	Min	Typ	Max	Min	Typ	Max
A			1.600			0.0630
A1	0.050		0.150	0.0020		0.0059
A2	1.350	1.400	1.450	0.0531	0.0551	0.0571
b	0.170	0.220	0.270	0.0067	0.0087	0.0106
c	0.090		0.200	0.0035		0.0079
D	11.800	12.000	12.200	0.4646	0.4724	0.4803
D1	9.800	10.000	10.200	0.3858	0.3937	0.4016
D.		7.500				
E	11.800	12.000	12.200	0.4646	0.4724	0.4803
E1	9.800	10.00	10.200	0.3858	0.3937	0.4016
e		0.500			0.0197	
k	0°	3.5°	7°	0°	3.5°	7°
L	0.450	0.600	0.75	0.0177	0.0236	0.0295
L1		1.000			0.0394	
ccc	0.080			0.0031		
N	Number of pins					
	64					

1. Values in inches are converted from mm and rounded to 4 decimal digits.

6.2 Thermal characteristics

The maximum chip junction temperature (T_J max) must never exceed the values given in [Table 10: General operating conditions on page 42](#).

The maximum chip-junction temperature, T_J max, in degrees Celsius, may be calculated using the following equation:

$$T_J \text{ max} = T_A \text{ max} + (P_D \text{ max} \times \Theta_{JA})$$

Where:

- T_A max is the maximum ambient temperature in °C,
- Θ_{JA} is the package junction-to-ambient thermal resistance, in °C/W,
- P_D max is the sum of P_{INT} max and $P_{I/O}$ max (P_D max = P_{INT} max + $P_{I/O}$ max),
- P_{INT} max is the product of I_{DD} and V_{DD} , expressed in Watts. This is the maximum chip internal power.

$P_{I/O}$ max represents the maximum power dissipation on output pins where:

$$P_{I/O} \text{ max} = \Sigma (V_{OL} \times I_{OL}) + \Sigma((V_{DD} - V_{OH}) \times I_{OH}),$$

taking into account the actual V_{OL} / I_{OL} and V_{OH} / I_{OH} of the I/Os at low and high level in the application.

Table 73. Package thermal characteristics

Symbol	Parameter	Value	Unit
Θ_{JA}	Thermal resistance junction-ambient LFBGA144 - 10 × 10 mm / 0.8 mm pitch	40	°C/W
	Thermal resistance junction-ambient LQFP144 - 20 × 20 mm / 0.5 mm pitch	30	
	Thermal resistance junction-ambient LFBGA100 - 10 × 10 mm / 0.8 mm pitch	40	
	Thermal resistance junction-ambient LQFP100 - 14 × 14 mm / 0.5 mm pitch	46	
	Thermal resistance junction-ambient LQFP64 - 10 × 10 mm / 0.5 mm pitch	45	
	Thermal resistance junction-ambient WLCSP64	50	

6.2.1 Reference document

JESD51-2 Integrated Circuits Thermal Test Method Environment Conditions - Natural Convection (Still Air). Available from www.jedec.org

6.2.2 Selecting the product temperature range

When ordering the microcontroller, the temperature range is specified in the ordering information scheme shown in [Table 74: Ordering information scheme](#).

Each temperature range suffix corresponds to a specific guaranteed ambient temperature at maximum dissipation and, to a specific maximum junction temperature.

As applications do not commonly use the STM32F103xC, STM32F103xD and STM32F103xE at maximum dissipation, it is useful to calculate the exact power consumption and junction temperature to determine which temperature range will be best suited to the application.

The following examples show how to calculate the temperature range needed for a given application.

Example 1: High-performance application

Assuming the following application conditions:

Maximum ambient temperature $T_{Amax} = 82\text{ °C}$ (measured according to JESD51-2),
 $I_{DDmax} = 50\text{ mA}$, $V_{DD} = 3.5\text{ V}$, maximum 20 I/Os used at the same time in output at low level with $I_{OL} = 8\text{ mA}$, $V_{OL} = 0.4\text{ V}$ and maximum 8 I/Os used at the same time in output at low level with $I_{OL} = 20\text{ mA}$, $V_{OL} = 1.3\text{ V}$

$$P_{INTmax} = 50\text{ mA} \times 3.5\text{ V} = 175\text{ mW}$$

$$P_{IOmax} = 20 \times 8\text{ mA} \times 0.4\text{ V} + 8 \times 20\text{ mA} \times 1.3\text{ V} = 272\text{ mW}$$

This gives: $P_{INTmax} = 175\text{ mW}$ and $P_{IOmax} = 272\text{ mW}$:

$$P_{Dmax} = 175 + 272 = 447\text{ mW}$$

Thus: $P_{Dmax} = 447\text{ mW}$

Using the values obtained in [Table 73](#) T_{Jmax} is calculated as follows:

– For LQFP100, 46 °C/W

$$T_{Jmax} = 82\text{ °C} + (46\text{ °C/W} \times 447\text{ mW}) = 82\text{ °C} + 20.6\text{ °C} = 102.6\text{ °C}$$

This is within the range of the suffix 6 version parts ($-40 < T_J < 105\text{ °C}$).

In this case, parts must be ordered at least with the temperature range suffix 6 (see [Table 74: Ordering information scheme](#)).

Example 2: High-temperature application

Using the same rules, it is possible to address applications that run at high ambient temperatures with a low dissipation, as long as junction temperature T_J remains within the specified range.

Assuming the following application conditions:

Maximum ambient temperature $T_{Amax} = 115\text{ °C}$ (measured according to JESD51-2),
 $I_{DDmax} = 20\text{ mA}$, $V_{DD} = 3.5\text{ V}$, maximum 20 I/Os used at the same time in output at low level with $I_{OL} = 8\text{ mA}$, $V_{OL} = 0.4\text{ V}$

$$P_{INTmax} = 20\text{ mA} \times 3.5\text{ V} = 70\text{ mW}$$

$$P_{IOmax} = 20 \times 8\text{ mA} \times 0.4\text{ V} = 64\text{ mW}$$

This gives: $P_{INTmax} = 70\text{ mW}$ and $P_{IOmax} = 64\text{ mW}$:

$$P_{Dmax} = 70 + 64 = 134\text{ mW}$$

Thus: $P_{Dmax} = 134\text{ mW}$

Using the values obtained in [Table 73](#) T_{Jmax} is calculated as follows:

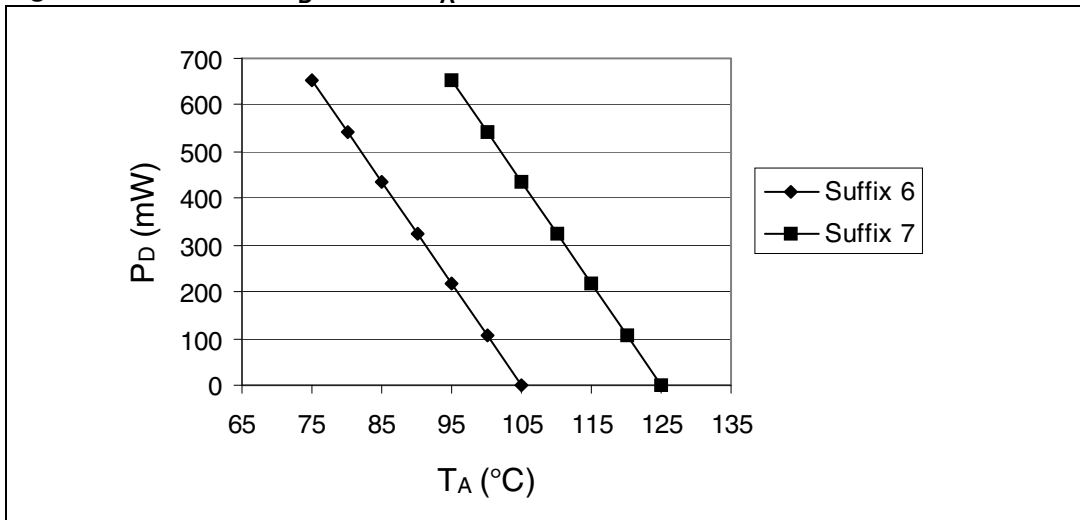
– For LQFP100, 46 °C/W

$$T_{Jmax} = 115\text{ °C} + (46\text{ °C/W} \times 134\text{ mW}) = 115\text{ °C} + 6.2\text{ °C} = 121.2\text{ °C}$$

This is within the range of the suffix 7 version parts ($-40 < T_J < 125\text{ °C}$).

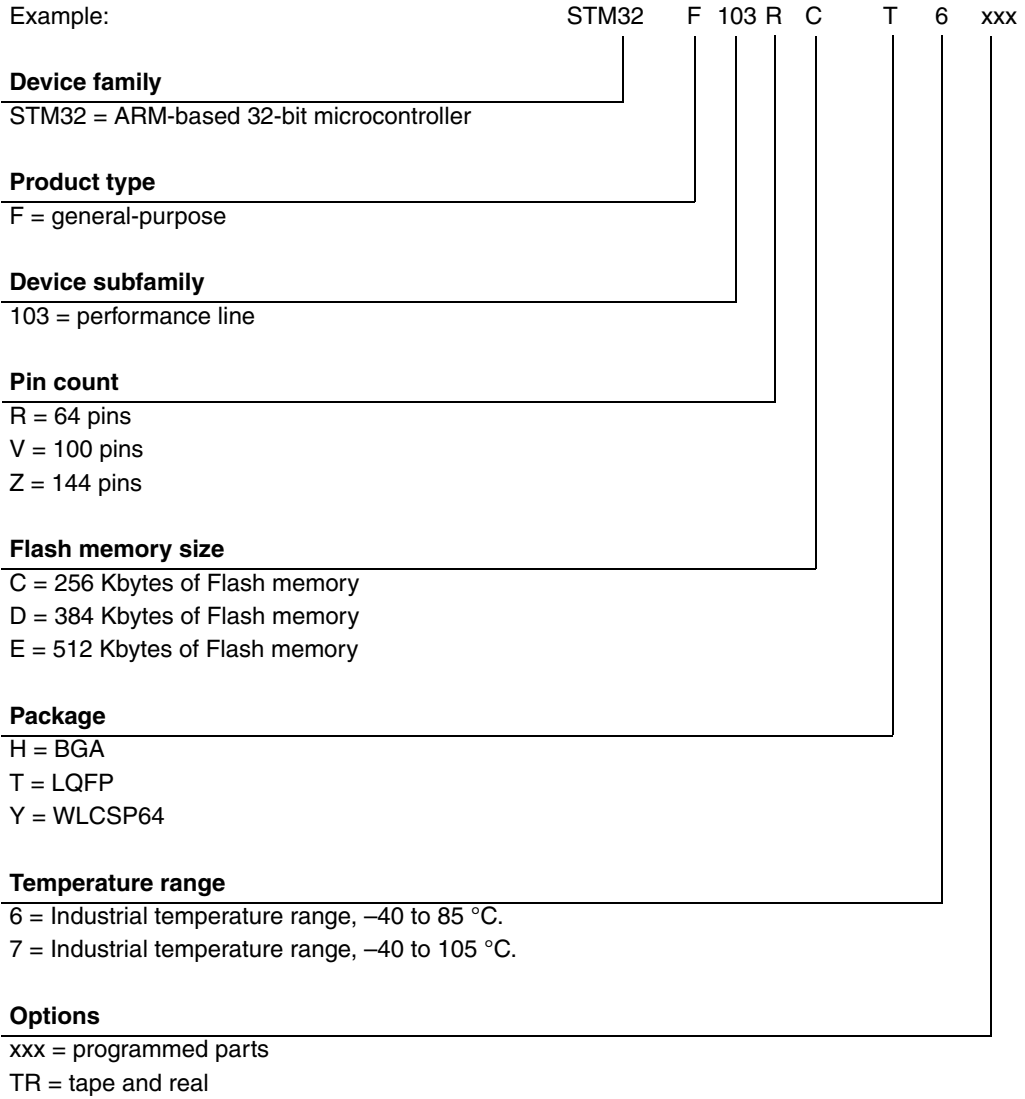
In this case, parts must be ordered at least with the temperature range suffix 7 (see [Table 74: Ordering information scheme](#)).

Figure 73. LQFP100 P_D max vs. T_A



7 Part numbering

Table 74. Ordering information scheme



For a list of available options (speed, package, etc.) or for further information on any aspect of this device, please contact your nearest ST sales office.

8 Revision history

Table 75. Document revision history

Date	Revision	Changes
07-Apr-2008	1	Initial release.
22-May-2008	2	<p>Document status promoted from Target Specification to Preliminary Data.</p> <p><i>Section 1: Introduction</i> and <i>Section 2.2: Full compatibility throughout the family</i> modified. Small text changes.</p> <p><i>Note 2</i> added in <i>Table 2: STM32F103xC, STM32F103xD and STM32F103xE features and peripheral counts on page 11</i>.</p> <p>LQPF100/BGA100 column added to <i>Table 6: FSMC pin definition on page 36</i>.</p> <p>Values and Figures added to <i>Maximum current consumption on page 44</i> (see <i>Table 14, Table 15, Table 16 and Table 17</i> and see <i>Figure 14, Figure 15, Figure 17, Figure 18 and Figure 19</i>).</p> <p>Values added to <i>Typical current consumption on page 52</i> (see <i>Table 18, Table 19 and Table 20</i>). <i>Table 19: Typical current consumption in Standby mode</i> removed.</p> <p><i>Note 4</i> and <i>Note 1</i> added to <i>Table 57: USB DC electrical characteristics</i> and <i>Table 58: USB: full-speed electrical characteristics on page 102</i>, respectively.</p> <p>V_{USB} added to <i>Table 57: USB DC electrical characteristics on page 102</i>.</p> <p><i>Figure 68: Recommended footprint(1) on page 117</i> corrected.</p> <p><i>Equation 1</i> corrected. <i>Figure 73: LQFP100 PD max vs. TA on page 122</i> modified.</p> <p>Tolerance values corrected in <i>Table 66: LFBGA144 – 144-ball low profile fine pitch ball grid array, 10 x 10 mm, 0.8 mm pitch, package data on page 113</i>.</p>

Table 75. Document revision history

Date	Revision	Changes
21-Jul-2008	3	<p>Document status promoted from Preliminary Data to full datasheet.</p> <p><i>FSMC (flexible static memory controller) on page 15</i> modified.</p> <p>Number of complementary channels corrected in <i>Figure 1: STM32F103xC, STM32F103xD and STM32F103xE performance line block diagram</i>.</p> <p><i>Power supply supervisor on page 17</i> modified and V_{DDA} added to <i>Table 10: General operating conditions on page 42</i>.</p> <p>Table notes revised in <i>Section 5: Electrical characteristics</i>.</p> <p>Capacitance modified in <i>Figure 12: Power supply scheme on page 40</i>.</p> <p><i>Table 52: SCL frequency (fPCLK1= 36 MHz., VDD = 3.3 V)</i> updated.</p> <p><i>Table 53: SPI characteristics</i> modified, $t_{h(NSS)}$ modified in <i>Figure 49: SPI timing diagram - slave mode and CPHA = 0 on page 96</i>.</p> <p>Minimum SDA and SCL fall time value for Fast mode removed from <i>Table 51: I2C characteristics on page 93</i>, note 1 modified.</p> <p>I_{DD_VBAT} values and some I_{DD} values with regulator in run mode added to <i>Table 17: Typical and maximum current consumptions in Stop and Standby modes on page 48</i>.</p> <p><i>Table 30: Flash memory endurance and data retention on page 63</i> updated.</p> <p>$t_{su(NSS)}$ modified in <i>Table 53: SPI characteristics on page 95</i>.</p> <p>EO corrected in <i>Table 62: ADC accuracy on page 105</i>. <i>Figure 58: Typical connection diagram using the ADC on page 106</i> and note below corrected.</p> <p>Typical T_{S_temp} value removed from <i>Table 64: TS characteristics on page 110</i>.</p> <p><i>Section 6.1: Package mechanical data on page 111</i> updated.</p> <p>Small text changes.</p>

Table 75. Document revision history

Date	Revision	Changes
12-Dec-2008	4	<p>Timers specified <i>on page 1</i> (motor control capability mentioned).</p> <p><i>Section 2.2: Full compatibility throughout the family</i> updated.</p> <p><i>Table 4: High-density timer feature comparison</i> added.</p> <p><i>General-purpose timers (TIMx)</i> and <i>Advanced-control timers (TIM1 and TIM8)</i> <i>on page 19</i> updated.</p> <p><i>Figure 1: STM32F103xC, STM32F103xD and STM32F103xE performance line block diagram</i> modified.</p> <p><i>Note 10</i> added, main function after reset and <i>Note 5 on page 35</i> updated in <i>Table 5: High-density STM32F103xx pin definitions</i>.</p> <p><i>Note 2</i> modified below <i>Table 7: Voltage characteristics on page 41</i>, ΔV_{DDx} min and ΔV_{DDx} min removed.</p> <p><i>Note 2</i> and P_D values for LQFP144 and LFBGA144 packages added to <i>Table 10: General operating conditions on page 42</i>.</p> <p>Measurement conditions specified in <i>Section 5.3.5: Supply current characteristics on page 44</i>.</p> <p>Max values at $T_A = 85\text{ }^\circ\text{C}$ and $T_A = 105\text{ }^\circ\text{C}$ updated in <i>Table 17: Typical and maximum current consumptions in Stop and Standby modes on page 48</i>.</p> <p><i>Section 5.3.10: FSMC characteristics on page 63</i> updated.</p> <p>Data added to <i>Table 42: EMI characteristics on page 84</i>.</p> <p>I_{VREF} added to <i>Table 59: ADC characteristics on page 103</i>.</p> <p><i>Table 73: Package thermal characteristics on page 120</i> updated.</p> <p>Small text changes.</p>

Table 75. Document revision history

Date	Revision	Changes
30-Mar-2009	5	<p>I/O information clarified on page 1. Figure 4: STM32F103xC and STM32F103xE performance line BGA100 ballout corrected.</p> <p>I/O information clarified on page 1.</p> <p>In Table 5: High-density STM32F103xx pin definitions:</p> <ul style="list-style-type: none"> – I/O level of pins PF11, PF12, PF13, PF14, PF15, G0, G1 and G15 updated – PB4, PB13, PB14, PB15, PB3/TRACESWO moved from Default column to Remap column <p>PG14 pin description modified in Table 6: FSMC pin definition.</p> <p>Figure 9: Memory map on page 38 modified.</p> <p>Note modified in Table 14: Maximum current consumption in Run mode, code with data processing running from Flash and Table 16: Maximum current consumption in Sleep mode, code running from Flash or RAM.</p> <p>Figure 17, Figure 18 and Figure 19 show typical curves (titles changed).</p> <p>Table 21: High-speed external user clock characteristics and Table 22: Low-speed external user clock characteristics modified. ACC_{HSI} max values modified in Table 25: HSI oscillator characteristics.</p> <p>FSMC configuration modified for Asynchronous waveforms and timings.</p> <p>Notes modified below Figure 24: Asynchronous non-multiplexed SRAM/PSRAM/NOR read waveforms and Figure 25: Asynchronous non-multiplexed SRAM/PSRAM/NOR write waveforms.</p> <p>t_{w(NADV)} values modified in Table 31: Asynchronous non-multiplexed SRAM/PSRAM/NOR read timings and Table 34: Asynchronous multiplexed PSRAM/NOR write timings. t_{h(Data_NWE)} modified in Table 32: Asynchronous non-multiplexed SRAM/PSRAM/NOR write timings</p> <p>In Table 36: Synchronous multiplexed PSRAM write timings and Table 38: Synchronous non-multiplexed PSRAM write timings:</p> <ul style="list-style-type: none"> – t_{v(Data-CLK)} renamed as t_{d(CLKL-Data)} – t_{d(CLKL-Data)} min value removed and max value added – t_{h(CLKL-DV)} / t_{h(CLKL-ADV)} removed <p>Figure 28: Synchronous multiplexed NOR/PSRAM read timings, Figure 29: Synchronous multiplexed PSRAM write timings and Figure 31: Synchronous non-multiplexed PSRAM write timings modified.</p> <p>Figure 52: I2S slave timing diagram (Philips protocol)(1) and Figure 53: I2S master timing diagram (Philips protocol)(1) modified.</p> <p>WLCSP64 package added (see Figure 8: STM32F103xC and STM32F103xE performance line WLCSP64 ballout, ball side, Table 5: High-density STM32F103xx pin definitions, Figure 65: WLCSP, 64-ball 4.466 × 4.395 mm, 0.500 mm pitch, wafer-level chip-scale package outline and Table 68: WLCSP, 64-ball 4.466 × 4.395 mm, 0.500 mm pitch, wafer-level chip-scale package mechanical data).</p> <p>Small text changes.</p>

Table 75. Document revision history

Date	Revision	Changes
21-Jul-2009	6	<p><i>Figure 1: STM32F103xC, STM32F103xD and STM32F103xE performance line block diagram</i> updated.</p> <p><i>Note 5</i> updated and <i>Note 4</i> added in <i>Table 5: High-density STM32F103xx pin definitions</i>.</p> <p>V_{RERINT} and $T_{C_{eff}}$ added to <i>Table 13: Embedded internal reference voltage</i>.</p> <p><i>Table 16: Maximum current consumption in Sleep mode, code running from Flash or RAM</i> modified.</p> <p>f_{HSE_ext} min modified in <i>Table 21: High-speed external user clock characteristics</i>.</p> <p>C_{L1} and C_{L2} replaced by C in <i>Table 23: HSE 4-16 MHz oscillator characteristics</i> and <i>Table 24: LSE oscillator characteristics (fLSE = 32.768 kHz)</i>, notes modified and moved below the tables.</p> <p><i>Note 1</i> modified below <i>Figure 22: Typical application with an 8 MHz crystal</i>. <i>Table 25: HSI oscillator characteristics</i> modified. Conditions removed from <i>Table 27: Low-power mode wakeup timings</i>.</p> <p>Jitter added to <i>Table 28: PLL characteristics</i>.</p> <p><i>Figure 47: Recommended NRST pin protection</i> modified.</p> <p>In <i>Table 31: Asynchronous non-multiplexed SRAM/PSRAM/NOR read timings</i>: $t_{h(BL_NOE)}$ and $t_{h(A_NOE)}$ modified.</p> <p>In <i>Table 32: Asynchronous non-multiplexed SRAM/PSRAM/NOR write timings</i>: $t_{h(A_NWE)}$ and $t_{h(Data_NWE)}$ modified.</p> <p>In <i>Table 33: Asynchronous multiplexed PSRAM/NOR read timings</i>: $t_{h(AD_NADV)}$ and $t_{h(A_NOE)}$ modified.</p> <p>In <i>Table 34: Asynchronous multiplexed PSRAM/NOR write timings</i>: $t_{h(A_NWE)}$ modified.</p> <p>In <i>Table 35: Synchronous multiplexed NOR/PSRAM read timings</i>: $t_{h(CLKH_NWAITV)}$ modified.</p> <p>In <i>Table 40: Switching characteristics for NAND Flash read and write cycles</i>: $t_{h(NO-E)}$ modified.</p> <p><i>Table 53: SPI characteristics</i> modified. Values added to <i>Table 54: I2S characteristics</i> and <i>Table 55: SD / MMC characteristics</i>.</p> <p>C_{ADC} and R_{AIN} parameters modified in <i>Table 59: ADC characteristics</i>. R_{AIN} max values modified in <i>Table 60: RAIN max for fADC = 14 MHz</i>.</p> <p><i>Table 63: DAC characteristics</i> modified. <i>Figure 61: 12-bit buffered /non-buffered DAC</i> added.</p> <p><i>Figure 64: LFBGA100 - 10 x 10 mm low profile fine pitch ball grid array package outline</i> and <i>Table 67: LFBGA100 - 10 x 10 mm low profile fine pitch ball grid array package mechanical data</i> updated.</p>
24-Sep-2009	7	<p>Number of DACs corrected in <i>Table 3: STM32F103xx family</i>.</p> <p>I_{DD_VBAT} updated in <i>Table 17: Typical and maximum current consumptions in Stop and Standby modes</i>.</p> <p><i>Figure 16: Typical current consumption on VBAT with RTC on vs. temperature at different VBAT values</i> added.</p> <p>IEC 1000 standard updated to IEC 61000 and SAE J1752/3 updated to IEC 61967-2 in <i>Section 5.3.11: EMC characteristics on page 83</i>.</p> <p><i>Table 63: DAC characteristics</i> modified. Small text changes.</p>

Table 75. Document revision history

Date	Revision	Changes
19-Apr-2011	8	<p>Updated package choice for 103Rx in Table 2</p> <p>Updated footnotes below Table 7: Voltage characteristics on page 41 and Table 8: Current characteristics on page 41</p> <p>Updated $t_{w\ min}$ in Table 21: High-speed external user clock characteristics on page 55</p> <p>Updated startup time in Table 24: LSE oscillator characteristics (fLSE = 32.768 kHz) on page 59</p> <p>Updated note 2 in Table 51: I2C characteristics on page 93</p> <p>Updated Figure 48: I2C bus AC waveforms and measurement circuit</p> <p>Updated Figure 47: Recommended NRST pin protection</p> <p>Updated Section 5.3.14: I/O port characteristics</p> <p>Updated Table 31: Asynchronous non-multiplexed SRAM/PSRAM/NOR read timings on page 64</p> <p>Updated FSMC Figure 28 thru Figure 31</p> <p>Updated Figure 41: NAND controller waveforms for common memory write access and Table 40: Switching characteristics for NAND Flash read and write cycles on page 82</p> <p>Added Section 5.3.13: I/O current injection characteristics on page 85</p> <p>Updated Figure 66 and added Table 69: Recommended PCB design rules (0.5mm pitch BGA) on page 116</p> <p>LQFP64 package mechanical data updated: see Figure 71: LQFP64 – 10 x 10 mm 64 pin low-profile quad flat package outline and Table 72: LQFP64 – 10 x 10 mm 64 pin low-profile quad flat package mechanical data.</p>

Please Read Carefully:

Information in this document is provided solely in connection with ST products. STMicroelectronics NV and its subsidiaries ("ST") reserve the right to make changes, corrections, modifications or improvements, to this document, and the products and services described herein at any time, without notice.

All ST products are sold pursuant to ST's terms and conditions of sale.

Purchasers are solely responsible for the choice, selection and use of the ST products and services described herein, and ST assumes no liability whatsoever relating to the choice, selection or use of the ST products and services described herein.

No license, express or implied, by estoppel or otherwise, to any intellectual property rights is granted under this document. If any part of this document refers to any third party products or services it shall not be deemed a license grant by ST for the use of such third party products or services, or any intellectual property contained therein or considered as a warranty covering the use in any manner whatsoever of such third party products or services or any intellectual property contained therein.

UNLESS OTHERWISE SET FORTH IN ST'S TERMS AND CONDITIONS OF SALE ST DISCLAIMS ANY EXPRESS OR IMPLIED WARRANTY WITH RESPECT TO THE USE AND/OR SALE OF ST PRODUCTS INCLUDING WITHOUT LIMITATION IMPLIED WARRANTIES OF MERCHANTABILITY, FITNESS FOR A PARTICULAR PURPOSE (AND THEIR EQUIVALENTS UNDER THE LAWS OF ANY JURISDICTION), OR INFRINGEMENT OF ANY PATENT, COPYRIGHT OR OTHER INTELLECTUAL PROPERTY RIGHT.

UNLESS EXPRESSLY APPROVED IN WRITING BY AN AUTHORIZED ST REPRESENTATIVE, ST PRODUCTS ARE NOT RECOMMENDED, AUTHORIZED OR WARRANTED FOR USE IN MILITARY, AIR CRAFT, SPACE, LIFE SAVING, OR LIFE SUSTAINING APPLICATIONS, NOR IN PRODUCTS OR SYSTEMS WHERE FAILURE OR MALFUNCTION MAY RESULT IN PERSONAL INJURY, DEATH, OR SEVERE PROPERTY OR ENVIRONMENTAL DAMAGE. ST PRODUCTS WHICH ARE NOT SPECIFIED AS "AUTOMOTIVE GRADE" MAY ONLY BE USED IN AUTOMOTIVE APPLICATIONS AT USER'S OWN RISK.

Resale of ST products with provisions different from the statements and/or technical features set forth in this document shall immediately void any warranty granted by ST for the ST product or service described herein and shall not create or extend in any manner whatsoever, any liability of ST.

ST and the ST logo are trademarks or registered trademarks of ST in various countries.

Information in this document supersedes and replaces all information previously supplied.

The ST logo is a registered trademark of STMicroelectronics. All other names are the property of their respective owners.

© 2011 STMicroelectronics - All rights reserved

STMicroelectronics group of companies

Australia - Belgium - Brazil - Canada - China - Czech Republic - Finland - France - Germany - Hong Kong - India - Israel - Italy - Japan - Malaysia - Malta - Morocco - Philippines - Singapore - Spain - Sweden - Switzerland - United Kingdom - United States of America

www.st.com