



# ST202E ST232E

## ± 15KV ESD PROTECTED 5V RS-232 TRANSCEIVER

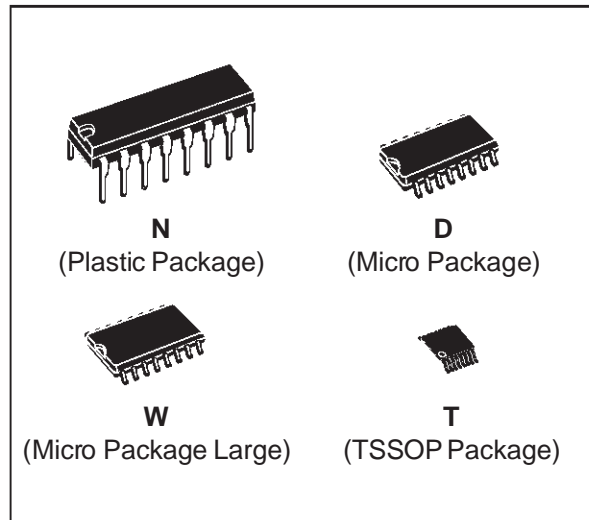
- ESD PROTECTION FOR RS-232 I/O PINS:  
± 15 KV HUMAN BODY MODEL
- GUARANTEED 230 kbps DATA RATE
- GUARANTEED SLEW RATE RANGE 3 to 30V/μs
- OPERATE FROM A SINGLE 5V POWER SUPPLY

### DESCRIPTION

The ST202E/ST232E are a 2 driver 2 receiver devices designed for RS-232 and V.28 communications in harsh environments. Each transmitter output and receiver input is protected against ± 15KV electrostatic discharge (ESD) shocks. The drivers meet all EIA/TIA-232E and CCITT V.28 specifications at data rates up to 230Kbps, when loaded in accordance with the EIA/TIA-232E specification.

The ST202E/232E use a single 5V supply voltage.

The ST232E operates with four 1μF capacitors,

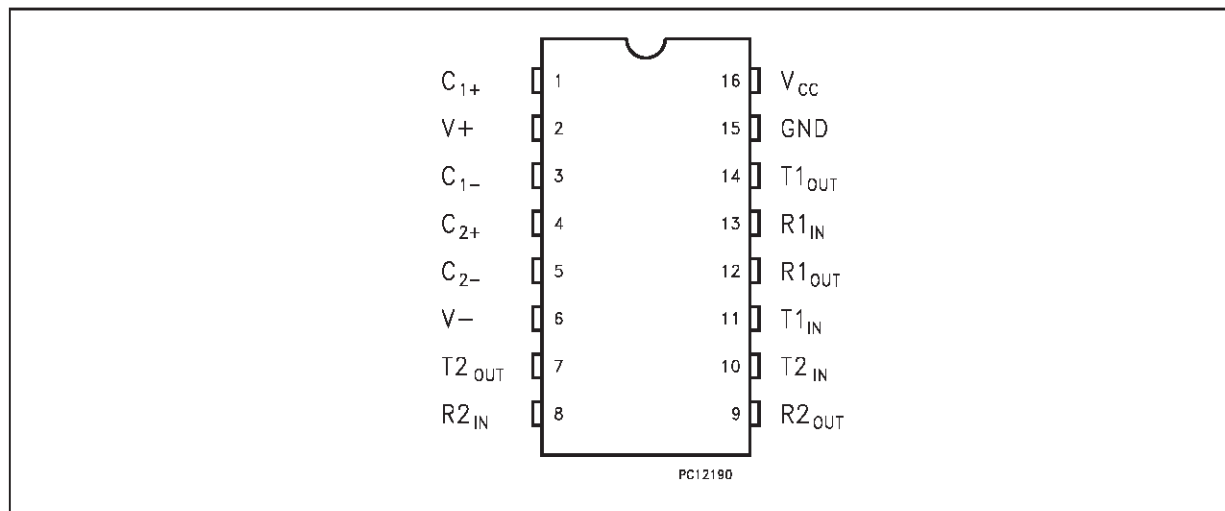


while the ST202E operates with four 0.1μF capacitors, further reducing cost and board space.

### ORDER CODES

Type		Temperature Range	Package	Comments
ST202ECN	ST232ECN	0 to 70 °C	DIP-16	25 parts per tube / 40 tube per box
ST202EBN	ST232EBN	-40 to 85 °C	DIP-16	25 parts per tube / 40 tube per box
ST202EAN	ST232EAN	-40 to 125 °C	DIP-16	25 parts per tube / 40 tube per box
ST202ECD	ST232ECD	0 to 70 °C	SO-16 (Tube)	50 parts per tube / 20 tube per box
ST202EBD	ST232EBD	-40 to 85 °C	SO-16 (Tube)	50 parts per tube / 20 tube per box
ST202EAD	ST232EAD	-40 to 125 °C	SO-16 (Tube)	50 parts per tube / 20 tube per box
ST202ECDR	ST232ECDR	0 to 70 °C	SO-16 (Tape & Reel)	2500 parts per reel
ST202EBDR	ST232EBDR	-40 to 85 °C	SO-16 (Tape & Reel)	2500 parts per reel
ST202EADR	ST232EADR	-40 to 125 °C	SO-16 (Tape & Reel)	2500 parts per reel
ST202ECW	ST232ECW	0 to 70 °C	SO-16 Large (Tube)	49 parts per tube / 25 tube per box
ST202EBW	ST232EBW	-40 to 85 °C	SO-16 Large (Tube)	49 parts per tube / 25 tube per box
ST202EAW	ST232EAW	-40 to 125 °C	SO-16 Large (Tube)	49 parts per tube / 25 tube per box
ST202ECWR	ST232ECWR	0 to 70 °C	SO-16 Large (Tape & Reel)	1000 parts per reel
ST202EBWR	ST232EBWR	-40 to 85 °C	SO-16 Large (Tape & Reel)	1000 parts per reel
ST202EAWR	ST232EAWR	-40 to 125 °C	SO-16 Large (Tape & Reel)	1000 parts per reel
ST202ECTR	ST232ECTR	0 to 70 °C	TSSOP16 (Tape & Reel)	2500 parts per reel
ST202EBTR	ST232EBTR	-40 to 85 °C	TSSOP16 (Tape & Reel)	2500 parts per reel
ST202EATR	ST232EATR	-40 to 125 °C	TSSOP16 (Tape & Reel)	2500 parts per reel

**PIN CONFIGURATION**



**PIN DESCRIPTION**

PIN No	SYMBOL	NAME AND FUNCTION
1	C <sub>1+</sub>	Positive Terminal for the first Charge Pump Capacitor
2	V+	Doubled Voltage Terminal
3	C <sub>1-</sub>	Negative Terminal for the first Charge Pump Capacitor
4	C <sub>2+</sub>	Positive Terminal for the second Charge Pump Capacitor
5	C <sub>2-</sub>	Negative Terminal for the second Charge Pump Capacitor
6	V-	Inverted Voltage Terminal
7	T <sub>2OUT</sub>	Second Transmitter Output Voltage
8	R <sub>2IN</sub>	Second Receiver Input Voltage
9	R <sub>2OUT</sub>	Second Receiver Output Voltage
10	T <sub>2IN</sub>	Second Transmitter Input Voltage
11	T <sub>1IN</sub>	First Transmitter Input Voltage
12	R <sub>1OUT</sub>	First Receiver Output Voltage
13	R <sub>1IN</sub>	First Receiver Input Voltage
14	T <sub>1OUT</sub>	First Transmitter Output Voltage
15	GND	Ground
16	V <sub>CC</sub>	Supply Voltage

**ABSOLUTE MAXIMUM RATINGS** (Note 1)

Symbol	Parameter	Value	Unit
V <sub>CC</sub>	Supply Voltage	-0.3 to 6	V
V <sub>+</sub>	Extra Positive Voltage	(V <sub>CC</sub> - 0.3) to 14	V
V <sub>-</sub>	Extra Negative Voltage	-14 to 0.3	V
T <sub>IN</sub>	Transmitter Input Voltage Range	-0.3 to (V <sub>+</sub> + 0.3)	V
R <sub>IN</sub>	Receiver Input Voltage Range	±30	V
T <sub>OUT</sub>	Transmitter Output Voltage Range	(V <sub>-</sub> - 0.3) to (V <sub>+</sub> + 0.3)	V
R <sub>OUT</sub>	Receiver Output Voltage Range	-0.3 to (V <sub>CC</sub> + 0.3)	V
T <sub>SCTOUT</sub>	Short Circuit Duration on T <sub>OUT</sub>	infinite	
T <sub>stg</sub>	Storage Temperature Range	-65 to +150	°C

Absolute Maximum Ratings are those values beyond which damage to the device may occur. Functional operation under these condition is not implied.

**ELECTRICAL CHARACTERISTICS**

(C<sub>1</sub> -C<sub>4</sub> = 0.1µF for ST202E, C<sub>1</sub> -C<sub>4</sub> = 1µF for ST232E, V<sub>CC</sub> = 5V ± 10% T<sub>A</sub> = -40 to 85 °C, unless otherwise specified. Typical Valus are referred to T<sub>A</sub> = 25 °C)

Symbol	Parameter	Test Conditions	Value			Unit
			Min.	Typ.	Max.	
I <sub>SUPPLY</sub>	V <sub>CC</sub> Power Supply Current	No Load, T <sub>A</sub> = 25 °C		5	10	mA

**TRANSMITTER ELECTRICAL CHARACTERISTICS**

(C<sub>1</sub> -C<sub>4</sub> = 0.1µF for ST202E, C<sub>1</sub> -C<sub>4</sub> = 1µF for ST232, V<sub>CC</sub> = 5V ± 10%, T<sub>A</sub> = -40 to 85 °C, unless otherwise specified. Typical Valus are referred to T<sub>A</sub> = 25 °C)

Symbol	Parameter	Test Conditions	Value			Unit
			Min.	Typ.	Max.	
V <sub>TOUT</sub>	Output Voltage Swing	All Transmitter outputs are loaded with 3KΩ to GND	±5	±9		V
I <sub>TIL</sub>	Logic Pull-Up Current	T <sub>IN</sub> = 0 V to V <sub>CC</sub>			±10	µA
V <sub>TIL</sub>	Input Logic Threshold Low		0.8			V
V <sub>TIH</sub>	Input Logic Threshold High				2	V
SR <sub>T</sub>	Transition Slew Rate	T <sub>A</sub> = 25 °C, V <sub>CC</sub> = 5 V, R <sub>L</sub> = 3 to 7 KΩ, C <sub>L</sub> = 50 to 1000 pF (Note 1)	3	6	30	V/µs
D <sub>R</sub>	Data Rate	R <sub>L</sub> = 3 to 7 KΩ, C <sub>L</sub> = 50 to 1000 pF one trasmitter switching	230	400		Kbits/s
R <sub>TOUT</sub>	Transmitter Output Resistance	V <sub>CC</sub> = V <sub>+</sub> = V <sub>-</sub> = 0V V <sub>OUT</sub> = ± 2 V	300			Ω
I <sub>SC</sub>	Transmitter Output Short Circuit Current			±10	±60	mA
t <sub>DT</sub>	Trasmitter Propagation Delay	R <sub>L</sub> = 3 KΩ, C <sub>L</sub> = 2500 pF All trasmitter loaded		2		µA

Note 1: Measured from 3V to -3V or from -3V to 3V.

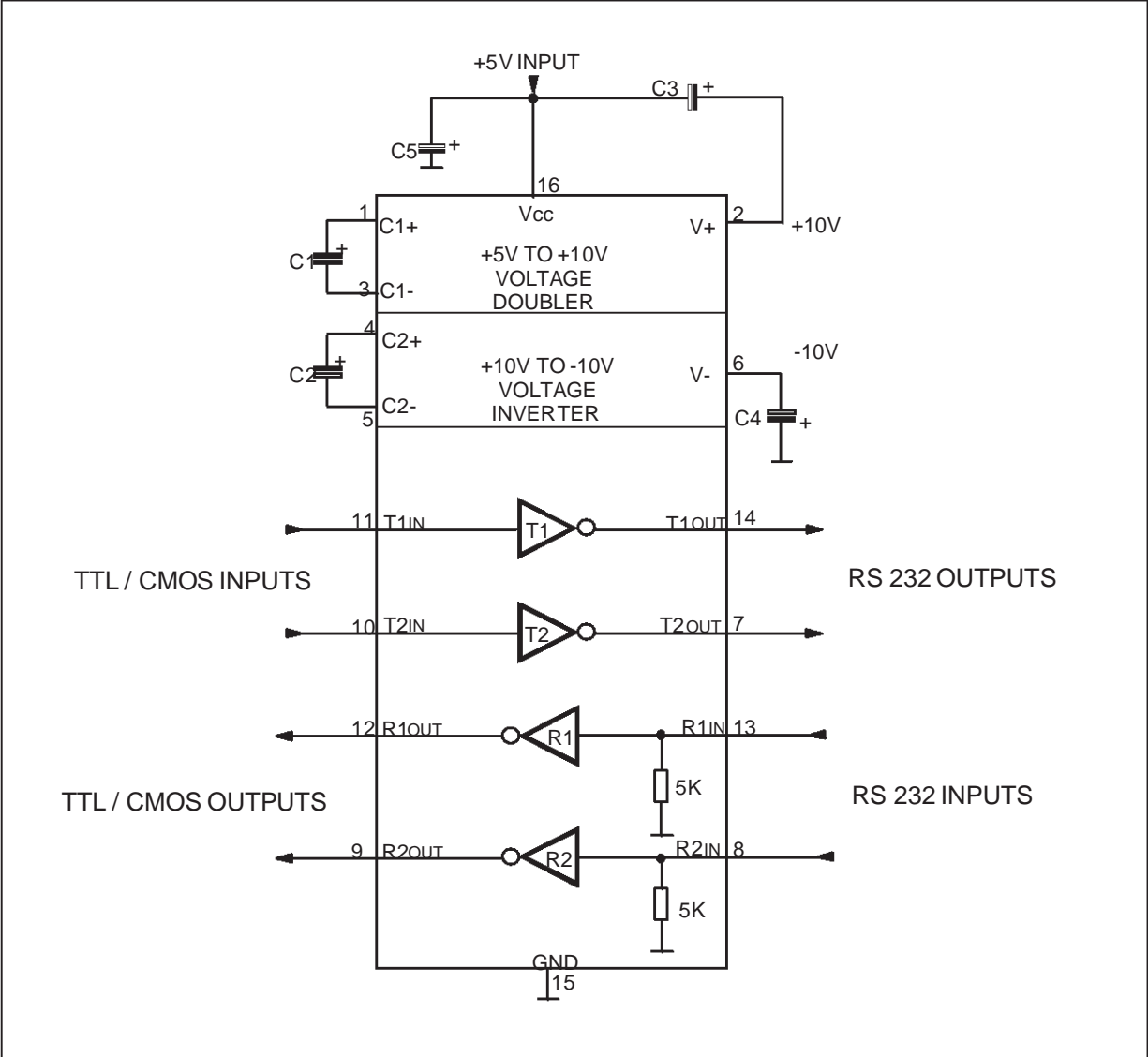
Note 2: One trasmitter output is loaded with R<sub>L</sub> = 3KΩ to 7KΩ, C<sub>L</sub> = 50 to 1000pF

**RECEIVER ELECTRICAL CHARACTERISTICS**

(C<sub>1</sub> -C<sub>4</sub> = 0.1μF for ST202E, C<sub>1</sub> -C<sub>4</sub> = 1μF for ST232E, V<sub>CC</sub> = 5V ± 10%, T<sub>A</sub> = -40 to 85 °C, unless otherwise specified. Typical Values are referred to T<sub>A</sub> = 25 °C)

Symbol	Parameter	Test Conditions	Value			Unit
			Min.	Typ.	Max.	
V <sub>RIN</sub>	Receiver Input Voltage Operating Range		-30		30	V
R <sub>RIN</sub>	RS-232 Input Resistance	T <sub>A</sub> = 25 °C, V <sub>CC</sub> = 5 V	3	5	7	KΩ
V <sub>RIL</sub>	RS-232 Input Logic Threshold Low	T <sub>A</sub> = 25 °C, V <sub>CC</sub> = 5 V	0.8	1.2		V
V <sub>RIH</sub>	RS-232 Input Logic Threshold High	T <sub>A</sub> = 25 °C, V <sub>CC</sub> = 5 V		1.7	2.4	V
V <sub>RIHYS</sub>	RS-232 Input Hysteresis	V <sub>CC</sub> = 5 V	0.2	0.5	1	V
V <sub>ROL</sub>	TTL/CMOS Output Voltage Low	I <sub>OUT</sub> = 3.2mA			0.4	V
V <sub>ROH</sub>	TTL/CMOS Output Voltage High	I <sub>OUT</sub> = -1mA	3.5	V <sub>CC</sub> -0.4		V
t <sub>dR</sub>	Propagation Delay Time	C <sub>L</sub> =150pF		0.5	10	μs

APPLICATION CIRCUITS (note 1, note 2)

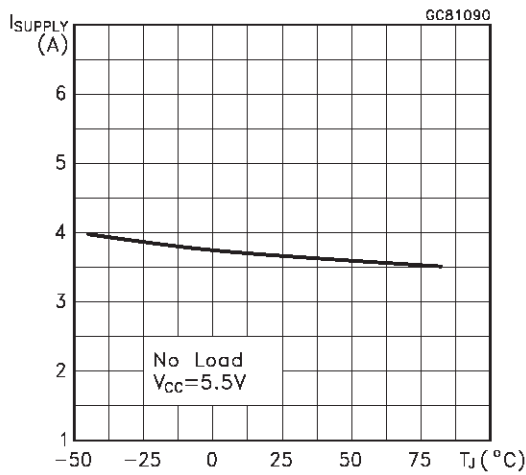


Note 1: C<sub>1-4</sub> capacitors can even be 1 μF ones.  
 Note 2: C<sub>1-4</sub> can be common or biased capacitors.

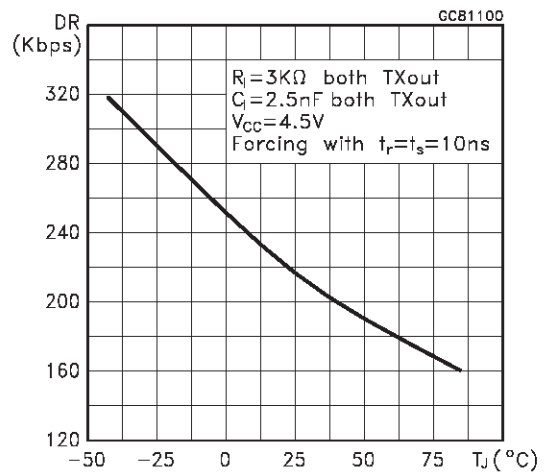
Capacitance Value (μF)

DEVICES	C1	C2	C3	C4	C5
ST202E	0.1	0.1	0.1	0.1	0.1
ST232E	1	1	1	1	1

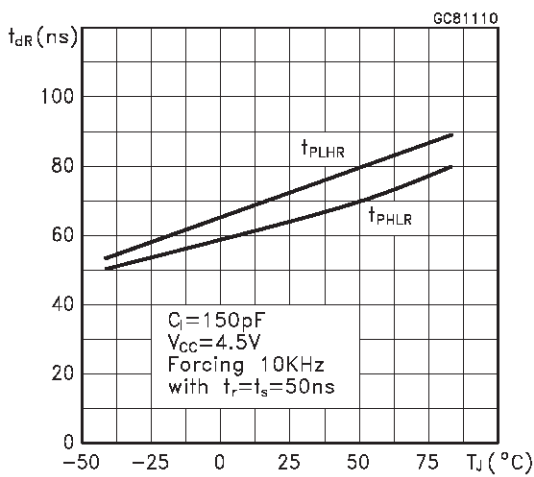
Supply Current vs Temperature



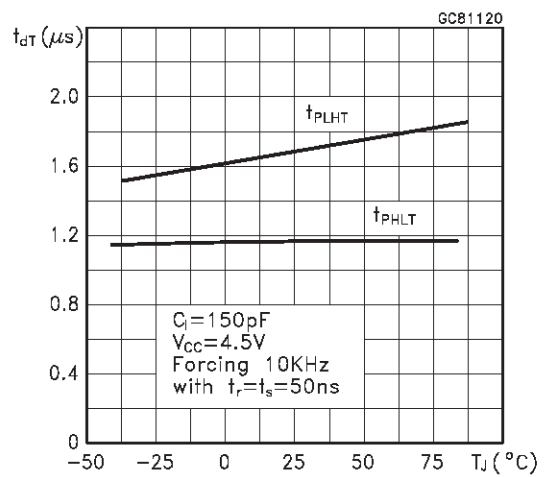
Data Rate vs Temperature



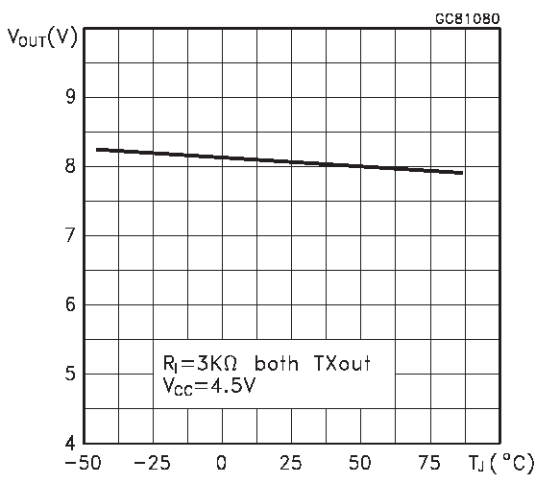
Receiver Propagation Delay



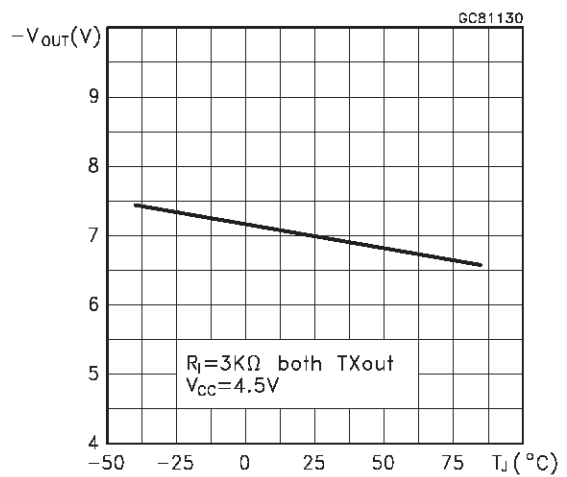
Driver Propagation Delay



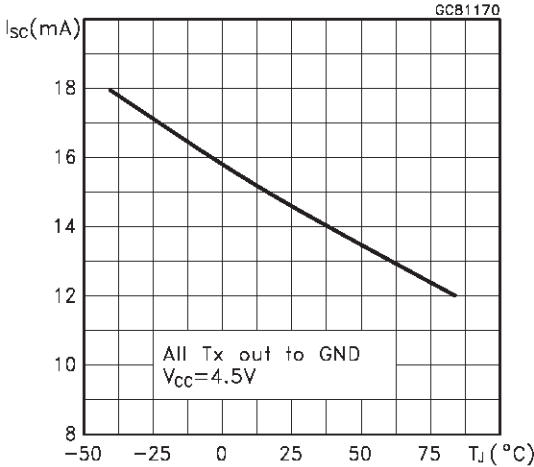
High Level Output Voltage Swing vs Temperature



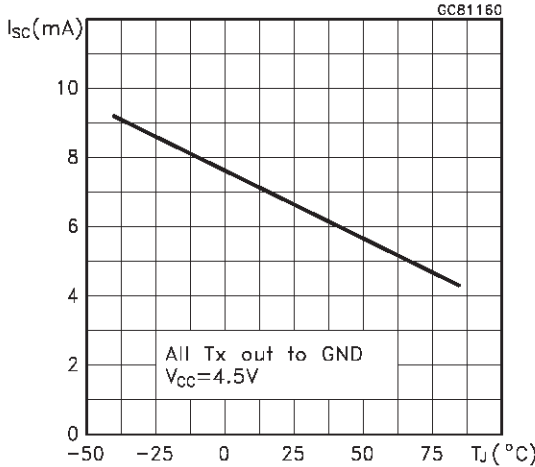
Low Level Output Voltage Swing vs Temperature



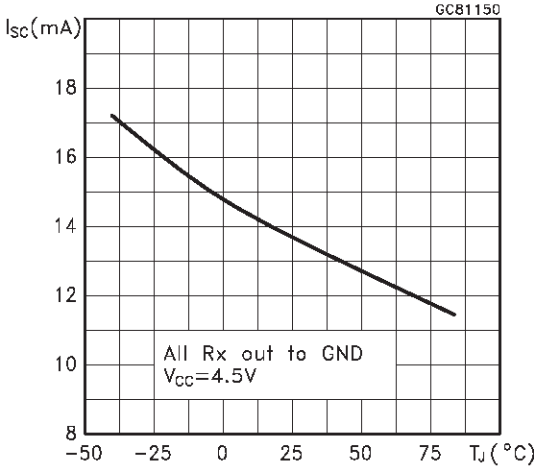
High Level Trasmmitter Output Short Circuit Current vs Temperature



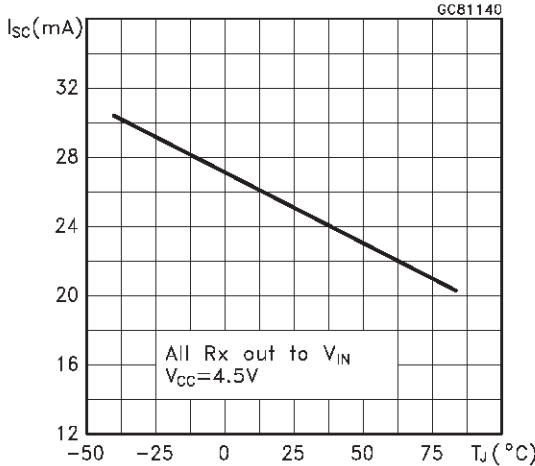
Low Level Trasmmitter Output Short Circuit Current vs Temperature



High Level Receiver Output Short Circuit Current vs Temperature

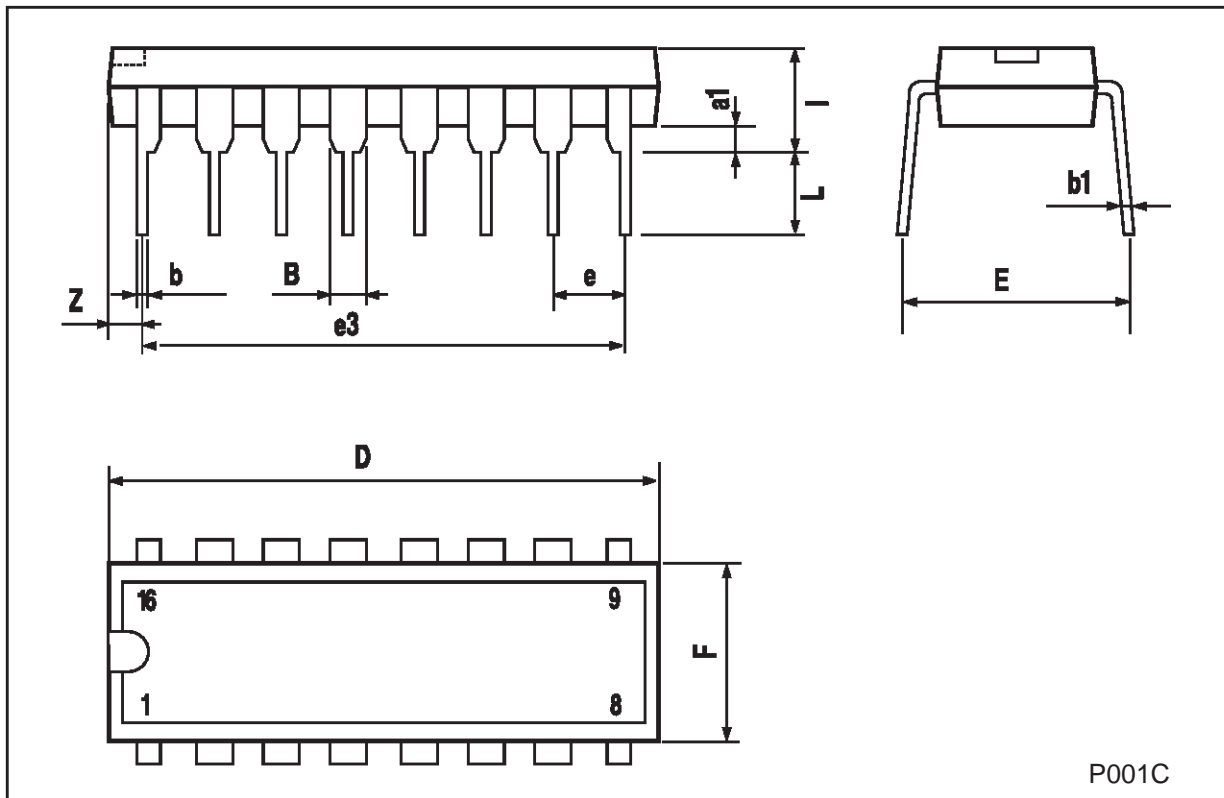


Low Level Receiver Output Short Circuit Current vs Temperature



**Plastic DIP-16 (0.25) MECHANICAL DATA**

DIM.	mm			inch		
	MIN.	TYP.	MAX.	MIN.	TYP.	MAX.
a1	0.51			0.020		
B	0.77		1.65	0.030		0.065
b		0.5			0.020	
b1		0.25			0.010	
D			20			0.787
E		8.5			0.335	
e		2.54			0.100	
e3		17.78			0.700	
F			7.1			0.280
l			5.1			0.201
L		3.3			0.130	
Z			1.27			0.050

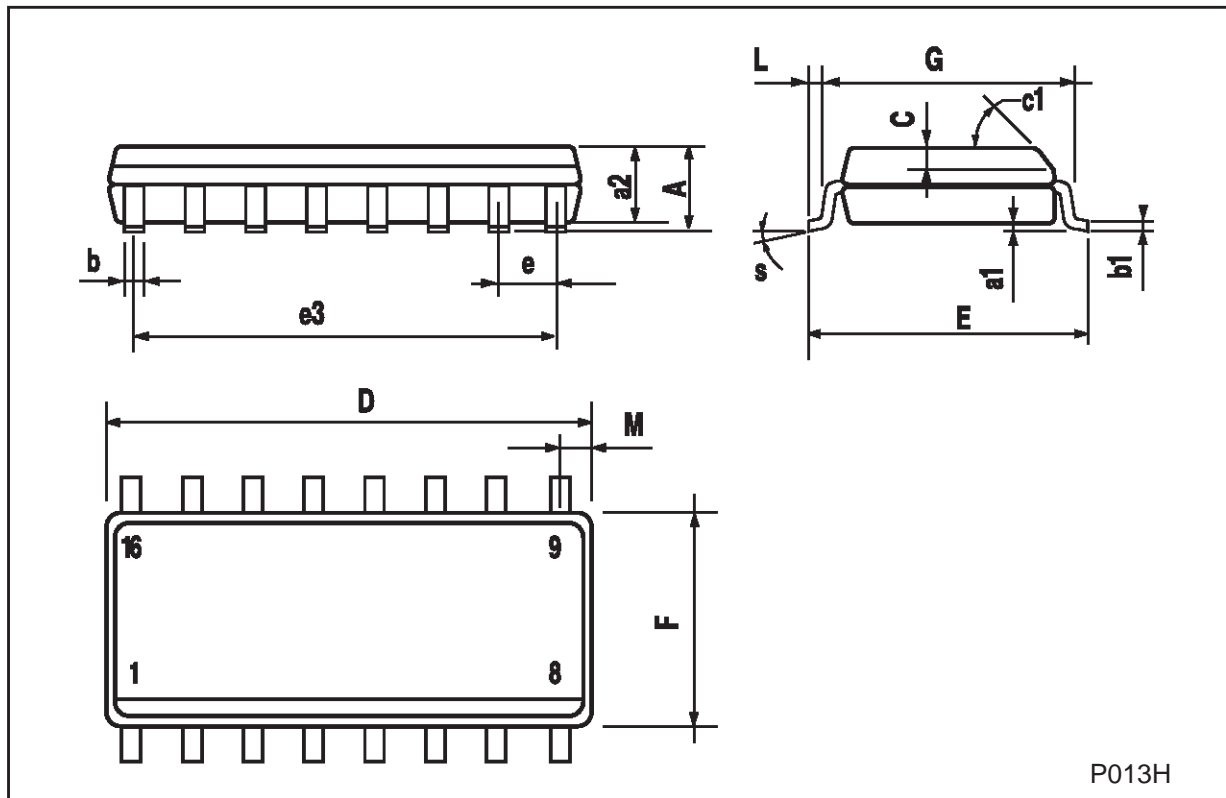


P001C



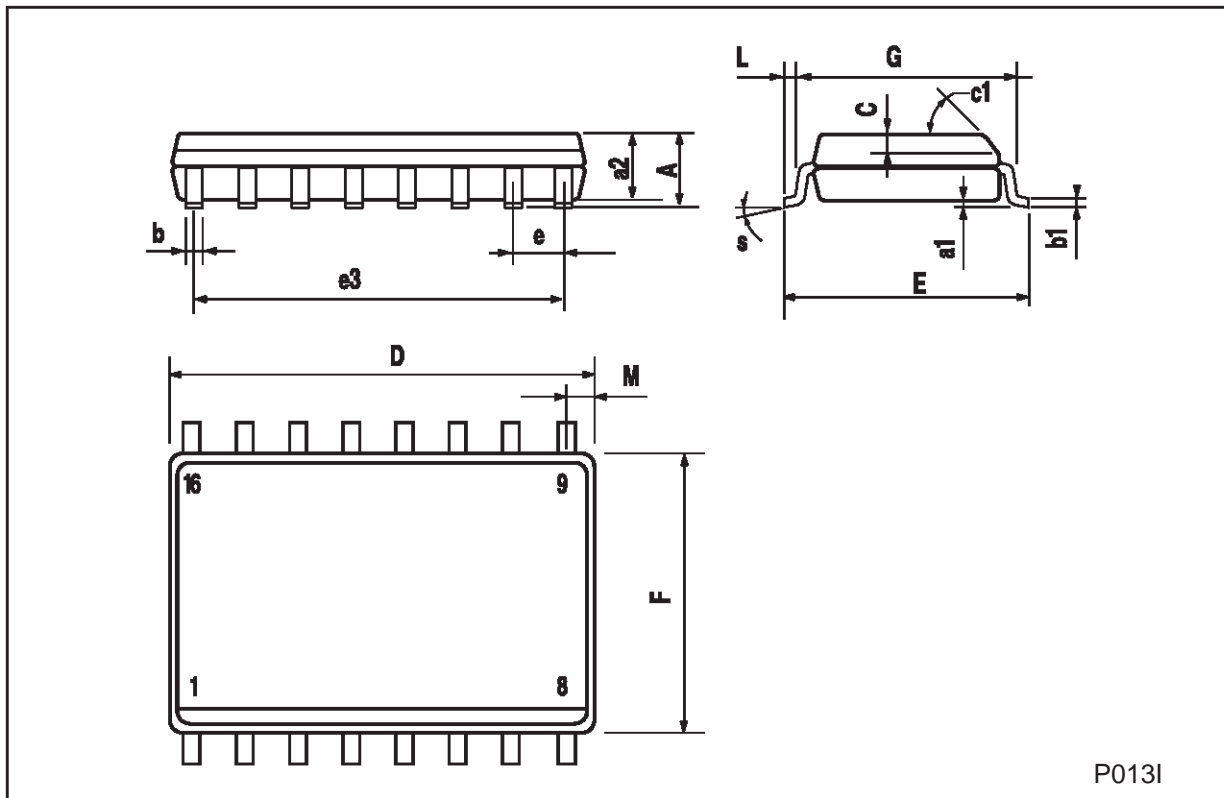
## SO-16 MECHANICAL DATA

DIM.	mm			inch		
	MIN.	TYP.	MAX.	MIN.	TYP.	MAX.
A			1.75			0.068
a1	0.1		0.2	0.004		0.007
a2			1.65			0.064
b	0.35		0.46	0.013		0.018
b1	0.19		0.25	0.007		0.010
C		0.5			0.019	
c1	45 (typ.)					
D	9.8		10	0.385		0.393
E	5.8		6.2	0.228		0.244
e		1.27			0.050	
e3		8.89			0.350	
F	3.8		4.0	0.149		0.157
G	4.6		5.3	0.181		0.208
L	0.5		1.27	0.019		0.050
M			0.62			0.024
S	8 (max.)					



SO16L MECHANICAL DATA

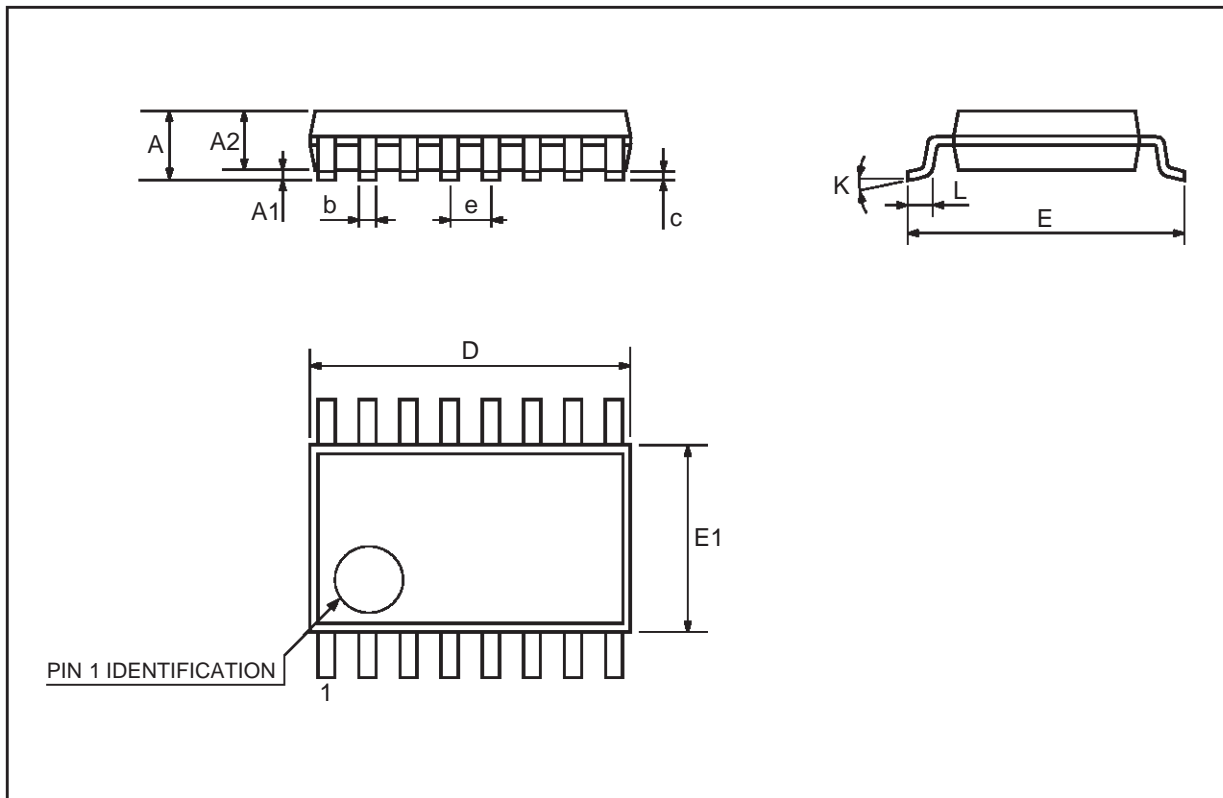
DIM.	mm			inch		
	MIN.	TYP.	MAX.	MIN.	TYP.	MAX.
A			2.65			0.104
a1	0.1		0.2	0.004		0.008
a2			2.45			0.096
b	0.35		0.49	0.014		0.019
b1	0.23		0.32	0.009		0.012
C		0.5			0.020	
c1	45 (typ.)					
D	10.1		10.5	0.397		0.413
E	10.0		10.65	0.3.93		0.419
e		1.27			0.050	
e3		8.89			0.350	
F	7.4		7.6	0.291		0.300
L	0.5		1.27	0.020		0.050
M			0.75			0.029
S	8 (max.)					



P0131

## TSSOP16 MECHANICAL DATA

DIM.	mm			inch		
	MIN.	TYP.	MAX.	MIN.	TYP.	MAX.
A			1.1			0.433
A1	0.05	0.10	0.15	0.002	0.004	0.006
A2	0.85	0.9	0.95	0.335	0.354	0.374
b	0.19		0.30	0.0075		0.0118
c	0.09		0.20	0.0035		0.0079
D	4.9	5	5.1	0.193	0.197	0.201
E	6.25	6.4	6.5	0.246	0.252	0.256
E1	4.3	4.4	4.48	0.169	0.173	0.176
e		0.65 BSC			0.0256 BSC	
K	0°	4°	8°	0°	4°	8°
L	0.50	0.60	0.70	0.020	0.024	0.028



Information furnished is believed to be accurate and reliable. However, STMicroelectronics assumes no responsibility for the consequences of use of such information nor for any infringement of patents or other rights of third parties which may result from its use. No license is granted by implication or otherwise under any patent or patent rights of STMicroelectronics. Specification mentioned in this publication are subject to change without notice. This publication supersedes and replaces all information previously supplied. STMicroelectronics products are not authorized for use as critical components in life support devices or systems without express written approval of STMicroelectronics.

The ST logo is a registered trademark of STMicroelectronics

© 2001 STMicroelectronics – Printed in Italy – All Rights Reserved

STMicroelectronics GROUP OF COMPANIES

Australia - Brazil - China - Finland - France - Germany - Hong Kong - India - Italy - Japan - Malaysia - Malta - Morocco  
Singapore - Spain - Sweden - Switzerland - United Kingdom - U.S.A.

<http://www.st.com>