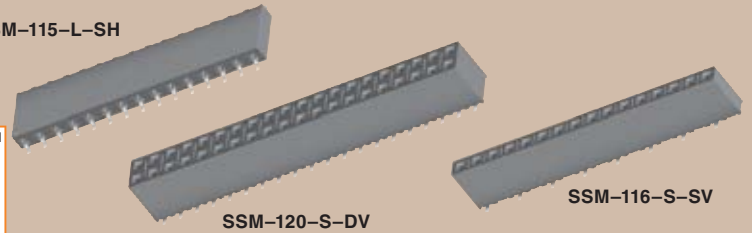




SSM-115-L-SH



SSM-120-S-DV

SSM-116-S-SV

(2,54 mm) .100"

SSM SERIES

# TIGER CLAW™ SURFACE MOUNT SOCKET

**Mates with:**

TSW, MTSW, TST, TSS, ZST, ZSS, DW, EW, ZW, TSM, HMTSW, HTSW, TSSH, BST, HTSS, TLW, MTLW

**SPECIFICATIONS**

For complete specifications and recommended PCB layouts see [www.samtec.com?SSM](http://www.samtec.com?SSM)

**Insulator Material:**

Black Liquid Crystal Polymer  
**Contact Material:** Phosphor Bronze



**Plating:**

Au or Sn over 50µ" (1,27 µm) Ni

**Voltage Rating:**

475 VAC (-SV/-DV mated with TSW)

450 VAC (-SH/-DH mated with TSM)

**Operating Temp Range:**

-55°C to +125°C with Gold

-55°C to +105°C with Tin

**Contact Resistance:**

10 mΩ

**Insertion Depth:**

SV/DV is (4,34 mm) .171" to (7,24 mm) .285" or pass-through from top; (5,56 mm) .219" plus board thickness minimum from bottom; SH/DH is (4,34 mm) .171" to (6,35 mm) .250"

**Insertion Force:**

(Single contact only) 5 oz (1,39 N) average

**Normal Force:**

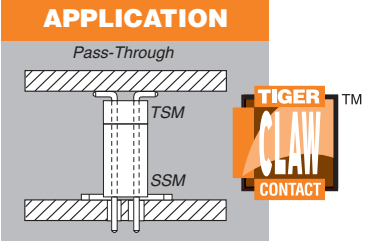
125 grams (1,21 N) average

**Withdrawal Force:**

(Single contact only) 2 oz (0,56 N) average

**RoHS Compliant:** Yes

<b>SSM</b>	<b>1</b>	<b>NO. PINS PER ROW</b>	<b>PLATING OPTION</b>	<b>ROW OPTION</b>	<b>OTHER OPTION</b>
02 thru 36 (-SV, -SH, -DH)	TIGER CLAW™ CONTACT	02 thru 40 (-DV)	<b>-F</b> = Gold flash on contact, Matte Tin on tail	-BE = Bottom Entry (-DV & -SV only)	<b>-M</b> = Metal Pick & Place Pad (5 positions min.) -DV only
		<b>-L</b> = 10µ" (0,25 µm) Gold on contact, Matte Tin on tail	<b>-LC</b> = Locking Clip (-DV & -SV only) Contact Samtec for -DH & -SH		
			<b>-S</b> = 30µ" (0,76 µm) Gold on contact, Matte Tin on tail	<b>-K</b> = (6,50 mm) .256" DIA Polyimide film Pick & Place Pad (2 positions min.) -DV & -SV only	<b>-P</b> = Plastic Pick & Place Pad (-DV & -SV only) (6 pos. minimum, contact Samtec for availability on smaller positions)
				<b>-"XXX"</b> = Polarized Position (-BE not available)	
				<b>-TR</b> = Tape & Reel Packaging (29 positions max.)	



**APPLICATION SPECIFIC OPTION**  
Alignment Pin available. Call Samtec.



CURRENT RATING (PER CONTACT)	
AMBIENT TEMP	SSM mated with TSW
20°C	6.9A
40°C	6A
60°C	5.3A
95°C	3.5A

6 POSITIONS (2x3) POWERED

**Processing:**

**Lead-Free Solderable:**

Yes

**-DH Coplanarity:**

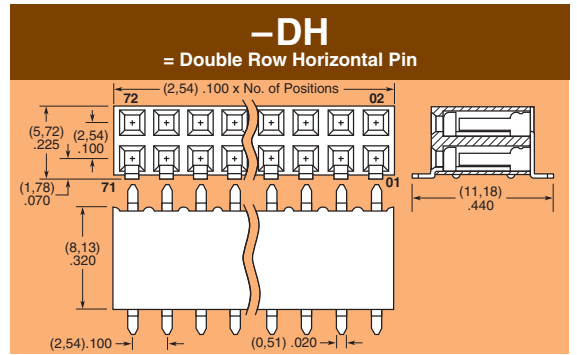
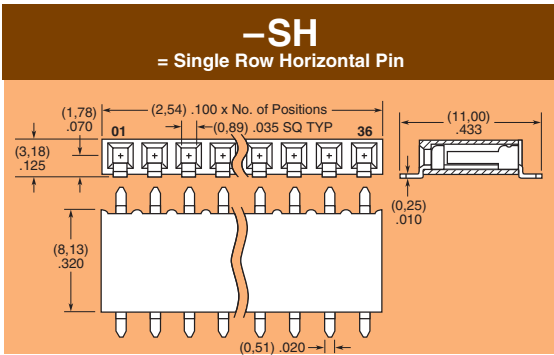
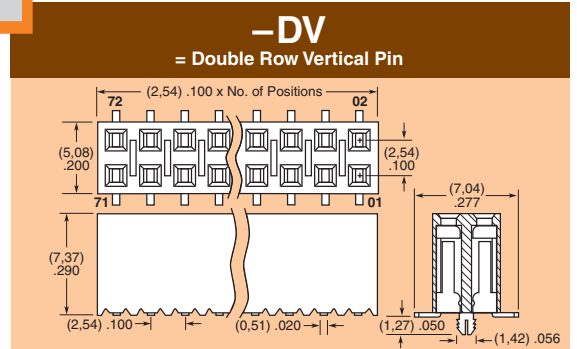
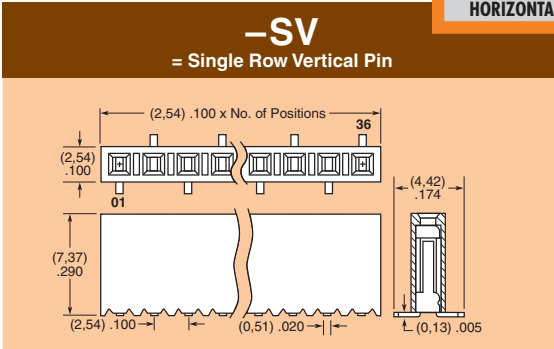
Less than 28 positions (0,15 mm) .006" max

More than 27 positions (0,20 mm) .008" max

**-SH, -SV, -DV Coplanarity:**

(0,15 mm) .006" max

**Note:** Some lengths, styles and options are non-standard, non-returnable.



Due to technical progress, all designs, specifications and components are subject to change without notice.

[WWW.SAMTEC.COM](http://WWW.SAMTEC.COM)