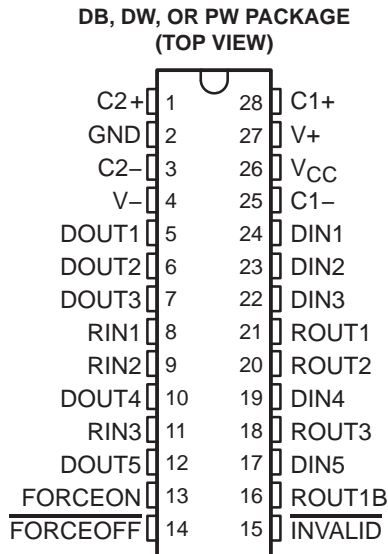


# SN65C3238, SN75C3238

## 3-V TO 5.5-V MULTICHANNEL COMPATIBLE RS-232 LINE DRIVER/RECEIVER

SLLS352D – JUNE 1999 – REVISED MARCH 2004

- Auto-powerdown Plus
- Operate With 3-V to 5.5-V  $V_{CC}$  Supply
- Always-Active Noninverting Receiver Output (ROUT1B)
- Support Operation From 250 kbit/s to 1 Mbit/s
- Low Standby Current . . . 1  $\mu$ A Typical
- External Capacitors . . .  $4 \times 0.1 \mu$ F
- Accept 5-V Logic Input With 3.3-V Supply
- Inter-Operable With SN65C3243, SN75C3243
- RS-232 Bus-Pin ESD Protection Exceeds  $\pm 15$ -kV Using Human-Body Model (HBM)
- Applications
  - Battery-Powered Systems, PDAs, Notebooks, Subnotebooks, Laptops, Palmtop PCs, Hand-Held Equipment, Modems, and Printers



### description/ordering information

The 'C3238 devices consist of five line drivers, three line receivers, and a dual charge-pump circuit with  $\pm 15$ -kV ESD protection pin to pin (serial-port connection pins, including GND). The charge pump and four small external capacitors allow operation from a single 3-V to 5.5-V supply. In addition, these devices include an always-active noninverting output (ROUT1B), which allows applications using the ring indicator to transmit data while the device is powered down. These devices operate at data signaling rates up to 1 Mbit/s and at an increased slew-rate range of 24 V/ $\mu$ s to 150 V/ $\mu$ s.

### ORDERING INFORMATION

| T <sub>A</sub> | PACKAGE†   | ORDERABLE PART NUMBER | TOP-SIDE MARKING |         |
|----------------|------------|-----------------------|------------------|---------|
| –0°C to 70°C   | SOIC (DW)  | Tube of 20            | SN75C3238DW      |         |
|                |            | Reel of 1000          | SN75C3238DWR     |         |
|                | SSOP (DB)  | Reel of 2000          | SN75C3238DBR     | 75C3238 |
|                | TSSOP (PW) | Tube of 50            | SN75C3238PW      | CA3238  |
| Reel of 2000   |            | SN75C3238PWR          |                  |         |
| –40°C to 85°C  | SOIC (DW)  | Tube of 20            | SN65C3238DW      |         |
|                |            | Reel of 1000          | SN65C3238DWR     |         |
|                | SSOP (DB)  | Reel of 2000          | SN65C3238DBR     | 65C3238 |
|                | TSSOP (PW) | Tube of 50            | SN65C3238PW      | CB3238  |
| Reel of 2000   |            | SN65C3238PWR          |                  |         |

† Package drawings, standard packing quantities, thermal data, symbolization, and PCB design guidelines are available at [www.ti.com/sc/package](http://www.ti.com/sc/package).



Please be aware that an important notice concerning availability, standard warranty, and use in critical applications of Texas Instruments semiconductor products and disclaimers thereto appears at the end of this data sheet.

PRODUCTION DATA information is current as of publication date. Products conform to specifications per the terms of Texas Instruments standard warranty. Production processing does not necessarily include testing of all parameters.



POST OFFICE BOX 655303 • DALLAS, TEXAS 75265

Copyright © 2004, Texas Instruments Incorporated

# SN65C3238, SN75C3238

## 3-V TO 5.5-V MULTICHANNEL COMPATIBLE RS-232 LINE DRIVER/RECEIVER

SLLS352D – JUNE 1999 – REVISED MARCH 2004

### description/ordering information (continued)

Flexible control options for power management are featured when the serial-port and driver inputs are inactive. The auto-powerdown plus feature functions when FORCEON is low and  $\overline{\text{FORCEOFF}}$  is high. During this mode of operation, if the device does not sense valid signal transitions on all receiver and driver inputs for 30 s, the built-in charge-pump and drivers are powered down, reducing the supply current to 1  $\mu\text{A}$ . By disconnecting the serial port or placing the peripheral drivers off, auto-powerdown plus will occur if there is no activity in the logic levels for the driver inputs. Auto-powerdown plus can be disabled when FORCEON and  $\overline{\text{FORCEOFF}}$  are high. With auto-powerdown plus enabled, the device automatically activates once a valid signal is applied to any receiver or driver input.  $\overline{\text{INVALID}}$  is high (valid data) if any receiver input voltage is greater than 2.7 V or less than -2.7 V or has been between -0.3 V and 0.3 V for less than 30  $\mu\text{s}$ .  $\overline{\text{INVALID}}$  is low (invalid data) if all receiver input voltages are between -0.3 V and 0.3 V for more than 30  $\mu\text{s}$ . Refer to Figure 5 for receiver input levels.

### Function Tables

EACH DRIVER

| INPUTS |         |                              |   | OUTPUT DOUT | DRIVER STATUS                                      |
|--------|---------|------------------------------|---|-------------|--|
| DIN    | FORCEON | $\overline{\text{FORCEOFF}}$ | TIME ELAPSED SINCE LAST RIN OR DIN TRANSITION |             |  |
| X      | X       | L                            | X   | Z           | Powered off  |
| L      | H       | H                            | X   | H           | Normal operation with auto-powerdown plus disabled |
| H      | H       | H                            | X   | L           |  |
| L      | L       | H                            | <30 s   | H           | Normal operation with auto-powerdown plus enabled  |
| H      | L       | H                            | <30 s   | L           |  |
| L      | L       | H                            | >30 s   | Z           | Powered off by auto-powerdown plus feature         |
| H      | L       | H                            | >30 s   | Z           |  |

H = high level, L = low level, X = irrelevant, Z = high impedance

EACH RECEIVER

| INPUTS |                 |                              |   | OUTPUTS |      | RECEIVER STATUS  |
|--------|-----------------|------------------------------|---|---------|------|--|
| RIN2   | RIN1, RIN3-RIN5 | $\overline{\text{FORCEOFF}}$ | TIME ELAPSED SINCE LAST RIN OR DIN TRANSITION | ROUT1B  | ROUT |  |
| L      | X               | L                            | X   | L       | Z    | Powered off while ROUT1B is active                         |
| H      | X               | L                            | X   | H       | Z    |  |
| L      | L               | H                            | <30 s   | L       | H    | Normal operation with auto-powerdown plus disabled/enabled |
| L      | H               | H                            | <30 s   | L       | L    |  |
| H      | L               | H                            | <30 s   | H       | H    |  |
| H      | H               | H                            | <30 s   | H       | L    |  |
| Open   | Open            | H                            | >30 s   | L       | H    |  |

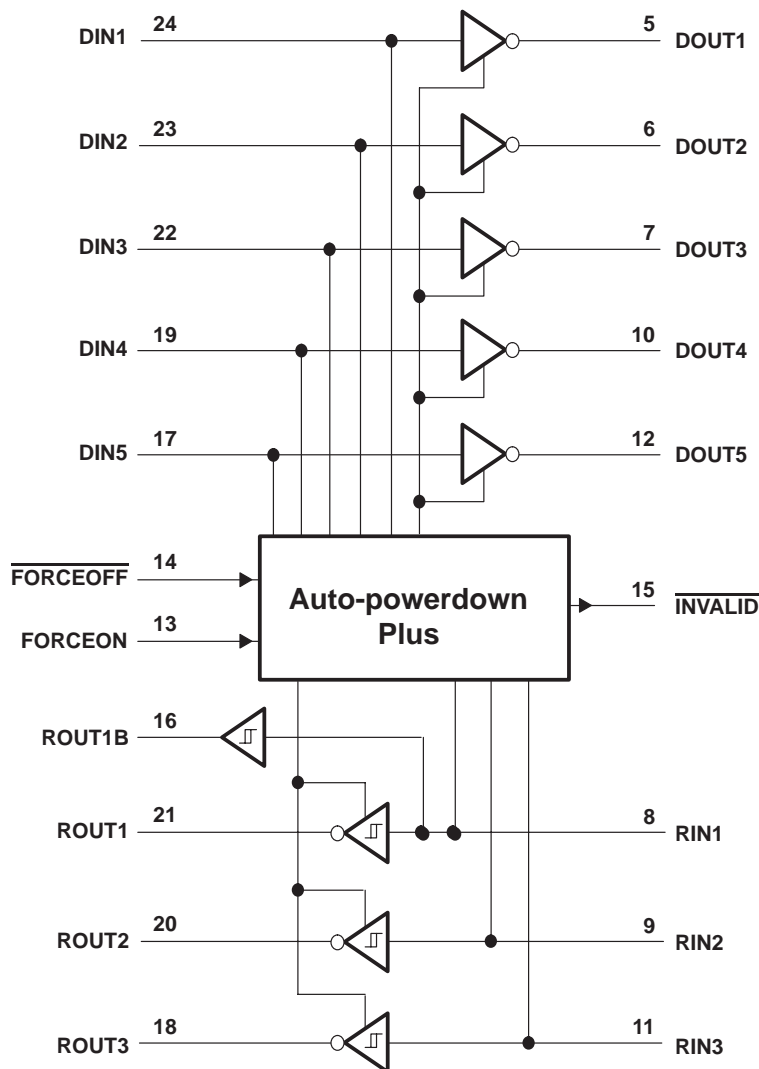
H = high level, L = low level, X = irrelevant, Z = high impedance (off), Open = input disconnected or connected driver off



**SN65C3238, SN75C3238**  
**3-V TO 5.5-V MULTICHANNEL COMPATIBLE RS-232 LINE DRIVER/RECEIVER**

SLLS352D – JUNE 1999 – REVISED MARCH 2004

logic diagram (positive logic)



# SN65C3238, SN75C3238

## 3-V TO 5.5-V MULTICHANNEL COMPATIBLE RS-232 LINE DRIVER/RECEIVER

SLLS352D – JUNE 1999 – REVISED MARCH 2004

### absolute maximum ratings over operating free-air temperature range (unless otherwise noted)†

|   |                            |
|---|----------------------------|
| Supply voltage range, $V_{CC}$ (see Note 1)                                   | –0.3 V to 6 V              |
| Positive output supply voltage range, $V_+$ (see Note 1)                      | –0.3 V to 7 V              |
| Negative output supply voltage range, $V_-$ (see Note 1)                      | 0.3 V to –7 V              |
| Supply voltage difference, $V_+ - V_-$ (see Note 1)                           | 13 V                       |
| Input voltage range, $V_I$ : Driver ( $\overline{\text{FORCEOFF}}$ , FORCEON) | –0.3 V to 6 V              |
| Receiver  | –25 V to 25 V              |
| Output voltage range, $V_O$ : Driver  | –13.2 V to 13.2 V          |
| Receiver (INVALID)  | –0.3 V to $V_{CC} + 0.3$ V |
| Package thermal impedance, $\theta_{JA}$ (see Notes 2 and 3): DB package      | 62°C/W                     |
| DW package  | 46°C/W                     |
| PW package  | 62°C/W                     |
| Operating virtual junction temperature, $T_J$                                 | 150°C                      |
| Storage temperature range, $T_{stg}$  | –65°C to 150°C             |

† Stresses beyond those listed under “absolute maximum ratings” may cause permanent damage to the device. These are stress ratings only, and functional operation of the device at these or any other conditions beyond those indicated under “recommended operating conditions” is not implied. Exposure to absolute-maximum-rated conditions for extended periods may affect device reliability.

- NOTES: 1. All voltages are with respect to network GND.  
 2. Maximum power dissipation is a function of  $T_J(\text{max})$ ,  $\theta_{JA}$ , and  $T_A$ . The maximum allowable power dissipation at any allowable ambient temperature is  $P_D = (T_J(\text{max}) - T_A)/\theta_{JA}$ . Operating at the absolute maximum  $T_J$  of 150°C can affect reliability.  
 3. The package thermal impedance is calculated in accordance with JESD 51-7.

### recommended operating conditions (see Note 4 and Figure 6)

|                |   |   | MIN              | NOM | MAX | UNIT |
|----------------|---|---|------------------|-----|-----|------|
| Supply voltage |   | $V_{CC} = 3.3$ V                            | 3                | 3.3 | 3.6 | V    |
|                |   | $V_{CC} = 5$ V                              | 4.5              | 5   | 5.5 |      |
| $V_{IH}$       | Driver and control high-level input voltage | DIN, $\overline{\text{FORCEOFF}}$ , FORCEON | $V_{CC} = 3.3$ V |     |     | V    |
|                |   |   | $V_{CC} = 5$ V   |     |     |      |
| $V_{IL}$       | Driver and control low-level input voltage  | DIN, $\overline{\text{FORCEOFF}}$ , FORCEON | 0.8              |     |     | V    |
| $V_I$          | Driver and control input voltage            | DIN, $\overline{\text{FORCEOFF}}$ , FORCEON | 0                | 5.5 |     | V    |
| $V_I$          | Receiver input voltage                      |   | –25              | 25  |     | V    |
| $T_A$          | Operating free-air temperature              | SN75C3238                                   | 0                | 70  |     | °C   |
|                |   | SN65C3238                                   | –40              | 85  |     |      |

NOTE 4: Testing supply conditions are C1–C4 = 0.1  $\mu$ F at  $V_{CC} = 3.3$  V  $\pm$  0.15 V; C1–C4 = 0.22  $\mu$ F at  $V_{CC} = 3.3$  V  $\pm$  0.3 V; and C1 = 0.047  $\mu$ F and C2–C4 = 0.33  $\mu$ F at  $V_{CC} = 5$  V  $\pm$  0.5 V.

### electrical characteristics over recommended ranges of supply voltage and operating free-air temperature (unless otherwise noted) (see Note 4 and Figure 6)

| PARAMETER |                       | TEST CONDITIONS                        | MIN  | TYP‡       | MAX     | UNIT    |         |
|-----------|-----------------------|--|--|------------|---------|---------|---------|
| $I_I$     | Input leakage current | $\overline{\text{FORCEOFF}}$ , FORCEON |  | $\pm 0.01$ | $\pm 1$ | $\mu$ A |         |
| $I_{CC}$  | Supply current        | Auto-powerdown plus disabled           | No load, $\overline{\text{FORCEOFF}}$ and FORCEON at $V_{CC}$                                    |            | 0.5     | 2       | mA      |
|           |                       | Powered off                            | No load, $\overline{\text{FORCEOFF}}$ at GND   |            | 1       | 10      |         |
|           |                       | Auto-powerdown plus enabled            | No load, $\overline{\text{FORCEOFF}}$ at $V_{CC}$ , FORCEON at GND, All RIN are open or grounded |            | 1       | 10      | $\mu$ A |

‡ All typical values are at  $V_{CC} = 3.3$  V or  $V_{CC} = 5$  V, and  $T_A = 25^\circ\text{C}$ .

NOTE 4: Testing supply conditions are C1–C4 = 0.1  $\mu$ F at  $V_{CC} = 3.3$  V  $\pm$  0.15 V; C1–C4 = 0.22  $\mu$ F at  $V_{CC} = 3.3$  V  $\pm$  0.3 V; and C1 = 0.047  $\mu$ F and C2–C4 = 0.33  $\mu$ F at  $V_{CC} = 5$  V  $\pm$  0.5 V.



# SN65C3238, SN75C3238

## 3-V TO 5.5-V MULTICHANNEL COMPATIBLE RS-232 LINE DRIVER/RECEIVER

SLLS352D – JUNE 1999 – REVISED MARCH 2004

### DRIVER SECTION

**electrical characteristics over recommended ranges of supply voltage and operating free-air temperature (unless otherwise noted) (see Note 4 and Figure 6)**

| PARAMETER                                     | TEST CONDITIONS  | MIN  | TYP†  | MAX | UNIT |
|---|--|--|-------|-----|------|
| V <sub>OH</sub> High-level output voltage     | All DOUT at R <sub>L</sub> = 3 kΩ to GND   | 5  | 5.4   |     | V    |
| V <sub>OL</sub> Low-level output voltage      | All DOUT at R <sub>L</sub> = 3 kΩ to GND   | -5   | -5.4  |     | V    |
| I <sub>IH</sub> High-level input current      | V <sub>I</sub> = V <sub>CC</sub>   |  | ±0.01 | ±1  | μA   |
| I <sub>IL</sub> Low-level input current       | V <sub>I</sub> at GND  |  | ±0.01 | ±1  | μA   |
| I <sub>OS</sub> Short-circuit output current‡ | V <sub>CC</sub> = 3.6 V, V <sub>O</sub> = 0 V                                      |  | ±35   | ±60 | mA   |
|   | V <sub>CC</sub> = 5.5 V, V <sub>O</sub> = 0 V                                      |  | ±40   | ±75 |      |
| r <sub>o</sub> Output resistance              | V <sub>CC</sub> , V <sub>+</sub> , and V <sub>-</sub> = 0 V, V <sub>O</sub> = ±2 V | 300  | 10M   |     | Ω    |
| I <sub>off</sub> Output leakage current       | FORCEOFF = GND   | V <sub>O</sub> = ±12 V, V <sub>CC</sub> = 3 V to 3.6 V   |       | ±25 | μA   |
|   |  | V <sub>O</sub> = ±10 V, V <sub>CC</sub> = 4.5 V to 5.5 V |       | ±25 |      |

† All typical values are at V<sub>CC</sub> = 3.3 V or V<sub>CC</sub> = 5 V, and T<sub>A</sub> = 25°C.

‡ Short-circuit durations should be controlled to prevent exceeding the device absolute power dissipation ratings, and not more than one output should be shorted at a time.

NOTE 4: Testing supply conditions are C1–C4 = 0.1 μF at V<sub>CC</sub> = 3.3 V ± 0.15 V; C1–C4 = 0.22 μF at V<sub>CC</sub> = 3.3 V ± 0.3 V; and C1 = 0.047 μF and C2–C4 = 0.33 μF at V<sub>CC</sub> = 5 V ± 0.5 V.

**switching characteristics over recommended ranges of supply voltage and operating free-air temperature (unless otherwise noted) (see Note 4 and Figure 6)**

| PARAMETER  | TEST CONDITIONS  | MIN  | TYP† | MAX | UNIT   |
|--|--|--|------|-----|--------|
| Maximum data rate (see Figure 1)                   | R <sub>L</sub> = 3 kΩ, One DOUT switching  | C <sub>L</sub> = 1000 pF                                   | 250  |     | kbit/s |
|  |  | C <sub>L</sub> = 250 pF, V <sub>CC</sub> = 3 V to 4.5 V    | 1000 |     |        |
|  |  | C <sub>L</sub> = 1000 pF, V <sub>CC</sub> = 4.5 V to 5.5 V | 1000 |     |        |
| t <sub>sk(p)</sub> Pulse skew§                     | C <sub>L</sub> = 150 pF to 2500 pF, R <sub>L</sub> = 3 kΩ to 7 kΩ, See Figure 2            |  | 25   |     | ns     |
| SR(tr) Slew rate, transition region (see Figure 1) | C <sub>L</sub> = 150 pF to 1000 pF, R <sub>L</sub> = 3 kΩ to 7 kΩ, V <sub>CC</sub> = 3.3 V |  | 24   | 150 | V/μs   |

† All typical values are at V<sub>CC</sub> = 3.3 V or V<sub>CC</sub> = 5 V, and T<sub>A</sub> = 25°C.

§ Pulse skew is defined as |t<sub>PLH</sub> - t<sub>PHL</sub>| of each channel of the same device.

NOTE 4: Testing supply conditions are C1–C4 = 0.1 μF at V<sub>CC</sub> = 3.3 V ± 0.15 V; C1–C4 = 0.22 μF at V<sub>CC</sub> = 3.3 V ± 0.3 V; and C1 = 0.047 μF and C2–C4 = 0.33 μF at V<sub>CC</sub> = 5 V ± 0.5 V.



# SN65C3238, SN75C3238

## 3-V TO 5.5-V MULTICHANNEL COMPATIBLE RS-232 LINE DRIVER/RECEIVER

SLLS352D – JUNE 1999 – REVISED MARCH 2004

### RECEIVER SECTION

electrical characteristics over recommended ranges of supply voltage and operating free-air temperature (unless otherwise noted) (see Note 4 and Figure 6)

| PARAMETER        |   | TEST CONDITIONS                | MIN                     | TYP†                    | MAX | UNIT |
|------------------|---|--------------------------------|-------------------------|-------------------------|-----|------|
| V <sub>OH</sub>  | High-level output voltage                               | I <sub>OH</sub> = -1 mA        | V <sub>CC</sub> - 0.6 V | V <sub>CC</sub> - 0.1 V |     | V    |
| V <sub>OL</sub>  | Low-level output voltage                                | I <sub>OL</sub> = 1.6 mA       |                         |                         | 0.4 | V    |
| V <sub>IT+</sub> | Positive-going input threshold voltage                  | V <sub>CC</sub> = 3.3 V        |                         | 1.5                     | 2.4 | V    |
|                  |   | V <sub>CC</sub> = 5 V          |                         | 1.8                     | 2.4 |      |
| V <sub>IT-</sub> | Negative-going input threshold voltage                  | V <sub>CC</sub> = 3.3 V        | 0.6                     | 1.2                     |     | V    |
|                  |   | V <sub>CC</sub> = 5 V          | 0.8                     | 1.5                     |     |      |
| V <sub>hys</sub> | Input hysteresis (V <sub>IT+</sub> - V <sub>IT-</sub> ) |                                |                         | 0.3                     |     | V    |
| I <sub>off</sub> | Output leakage current (except ROUT1B)                  | FORCEOFF = 0 V                 |                         | ±0.05                   | ±10 | µA   |
| r <sub>i</sub>   | Input resistance  | V <sub>I</sub> = ±3 V to ±25 V | 3                       | 5                       | 7   | kΩ   |

† All typical values are at V<sub>CC</sub> = 3.3 V or V<sub>CC</sub> = 5 V, and T<sub>A</sub> = 25°C.

NOTE 4: Testing supply conditions are C1-C4 = 0.1 µF at V<sub>CC</sub> = 3.3 V ± 0.15 V; C1-C4 = 0.22 µF at V<sub>CC</sub> = 3.3 V ± 0.3 V; and C1 = 0.047 µF and C2-C4 = 0.33 µF at V<sub>CC</sub> = 5 V ± 0.5 V.

switching characteristics over recommended ranges of supply voltage and operating free-air temperature (unless otherwise noted) (see Note 4)

| PARAMETER          |   | TEST CONDITIONS  | MIN | TYP† | MAX | UNIT |
|--------------------|---|--|-----|------|-----|------|
| t <sub>PLH</sub>   | Propagation delay time, low- to high-level output | C <sub>L</sub> = 150 pF, See Figure 3                        |     | 150  |     | ns   |
| t <sub>PHL</sub>   | Propagation delay time, high- to low-level output |  |     | 150  |     |      |
| t <sub>en</sub>    | Output enable time                                | C <sub>L</sub> = 150 pF, R <sub>L</sub> = 3 kΩ, See Figure 4 |     | 200  |     | ns   |
| t <sub>dis</sub>   | Output disable time                               |  |     | 200  |     |      |
| t <sub>sk(p)</sub> | Pulse skew‡                                       | See Figure 3   |     | 50   |     | ns   |

† All typical values are at V<sub>CC</sub> = 3.3 V or V<sub>CC</sub> = 5 V, and T<sub>A</sub> = 25°C.

‡ Pulse skew is defined as |t<sub>PLH</sub> - t<sub>PHL</sub>| of each channel of the same device.

NOTE 4: Testing supply conditions are C1-C4 = 0.1 µF at V<sub>CC</sub> = 3.3 V ± 0.15 V; C1-C4 = 0.22 µF at V<sub>CC</sub> = 3.3 V ± 0.3 V; and C1 = 0.047 µF and C2-C4 = 0.33 µF at V<sub>CC</sub> = 5 V ± 0.5 V.



**SN65C3238, SN75C3238**  
**3-V TO 5.5-V MULTICHANNEL COMPATIBLE RS-232 LINE DRIVER/RECEIVER**

SLLS352D – JUNE 1999 – REVISED MARCH 2004

**AUTO-POWERDOWN PLUS SECTION**

**electrical characteristics over recommended ranges of supply voltage and operating free-air temperature (unless otherwise noted) (see Figure 5)**

| PARAMETER               |  | TEST CONDITIONS   | MIN                   | TYP† | MAX | UNIT |
|-------------------------|--|---|-----------------------|------|-----|------|
| V <sub>T+(valid)</sub>  | Receiver input threshold for INVALID high-level output voltage | FORCEON = GND, FORCEOFF = V <sub>CC</sub>                           |                       |      | 2.7 | V    |
| V <sub>T-(valid)</sub>  | Receiver input threshold for INVALID high-level output voltage | FORCEON = GND, FORCEOFF = V <sub>CC</sub>                           | -2.7                  |      |     | V    |
| V <sub>T(invalid)</sub> | Receiver input threshold for INVALID low-level output voltage  | FORCEON = GND, FORCEOFF = V <sub>CC</sub>                           | -0.3                  |      | 0.3 | V    |
| V <sub>OH</sub>         | INVALID high-level output voltage                              | I <sub>OH</sub> = -1 mA, FORCEON = GND, FORCEOFF = V <sub>CC</sub>  | V <sub>CC</sub> - 0.6 |      |     | V    |
| V <sub>OL</sub>         | INVALID low-level output voltage                               | I <sub>OL</sub> = 1.6 mA, FORCEON = GND, FORCEOFF = V <sub>CC</sub> |                       |      | 0.4 | V    |

† All typical values are at V<sub>CC</sub> = 3.3 V or V<sub>CC</sub> = 5 V, and T<sub>A</sub> = 25°C.

**switching characteristics over recommended ranges of supply voltage and operating free-air temperature (unless otherwise noted) (see Figure 5)**

| PARAMETER            |   | MIN | TYP† | MAX | UNIT |
|----------------------|---|-----|------|-----|------|
| t <sub>valid</sub>   | Propagation delay time, low- to high-level output |     | 0.1  |     | μs   |
| t <sub>invalid</sub> | Propagation delay time, high- to low-level output |     | 50   |     | μs   |
| t <sub>en</sub>      | Supply enable time                                |     | 25   |     | μs   |
| t <sub>dis</sub>     | Receiver or driver edge to auto-powerdown plus    | 15  | 30   | 60  | s    |

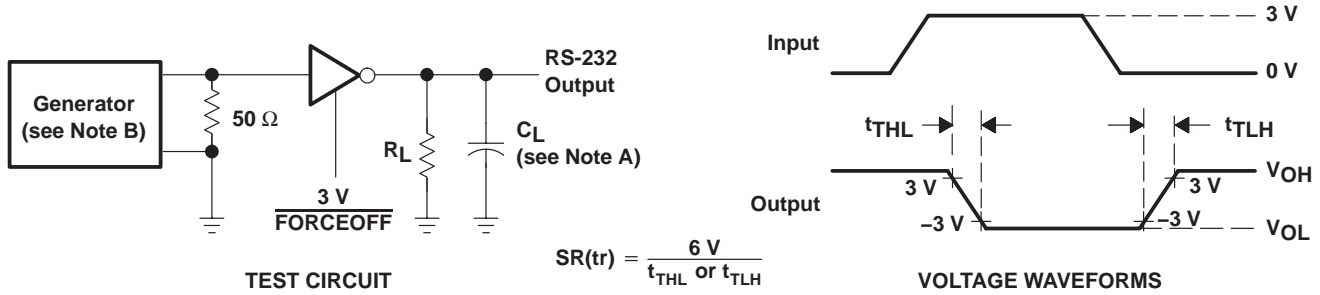
† All typical values are at V<sub>CC</sub> = 3.3 V or V<sub>CC</sub> = 5 V, and T<sub>A</sub> = 25°C.



# SN65C3238, SN75C3238 3-V TO 5.5-V MULTICHANNEL COMPATIBLE RS-232 LINE DRIVER/RECEIVER

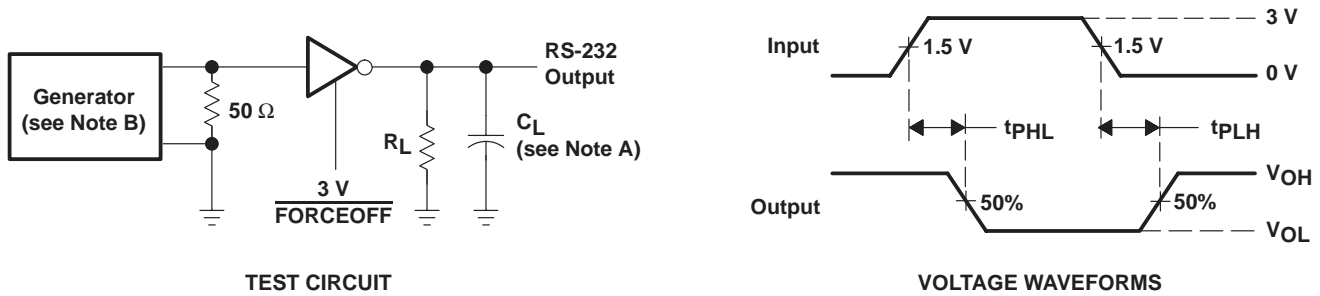
SLLS352D – JUNE 1999 – REVISED MARCH 2004

## PARAMETER MEASUREMENT INFORMATION



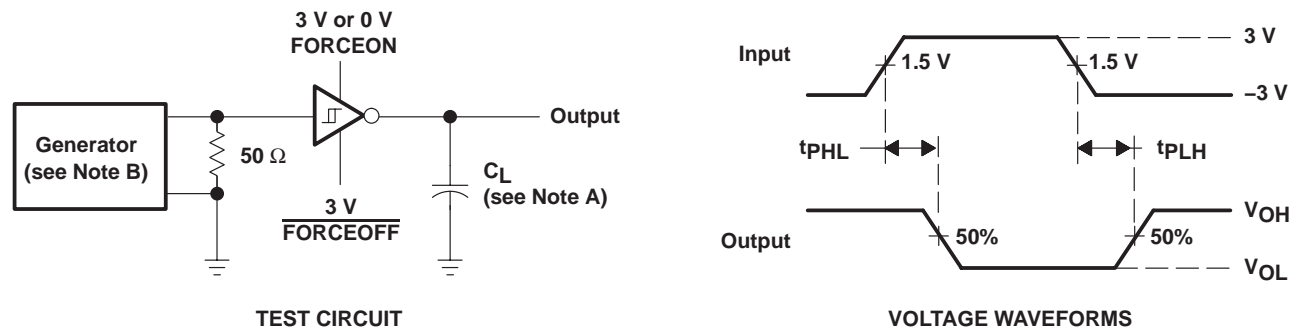
NOTES: A.  $C_L$  includes probe and jig capacitance.  
B. The pulse generator has the following characteristics: PRR = 1 Mbit/s,  $Z_O = 50\ \Omega$ , 50% duty cycle,  $t_r \leq 10\ \text{ns}$ ,  $t_f \leq 10\ \text{ns}$ .

Figure 1. Driver Slew Rate



NOTES: A.  $C_L$  includes probe and jig capacitance.  
B. The pulse generator has the following characteristics: PRR = 1 Mbit/s,  $Z_O = 50\ \Omega$ , 50% duty cycle,  $t_r \leq 10\ \text{ns}$ ,  $t_f \leq 10\ \text{ns}$ .

Figure 2. Driver Pulse Skew

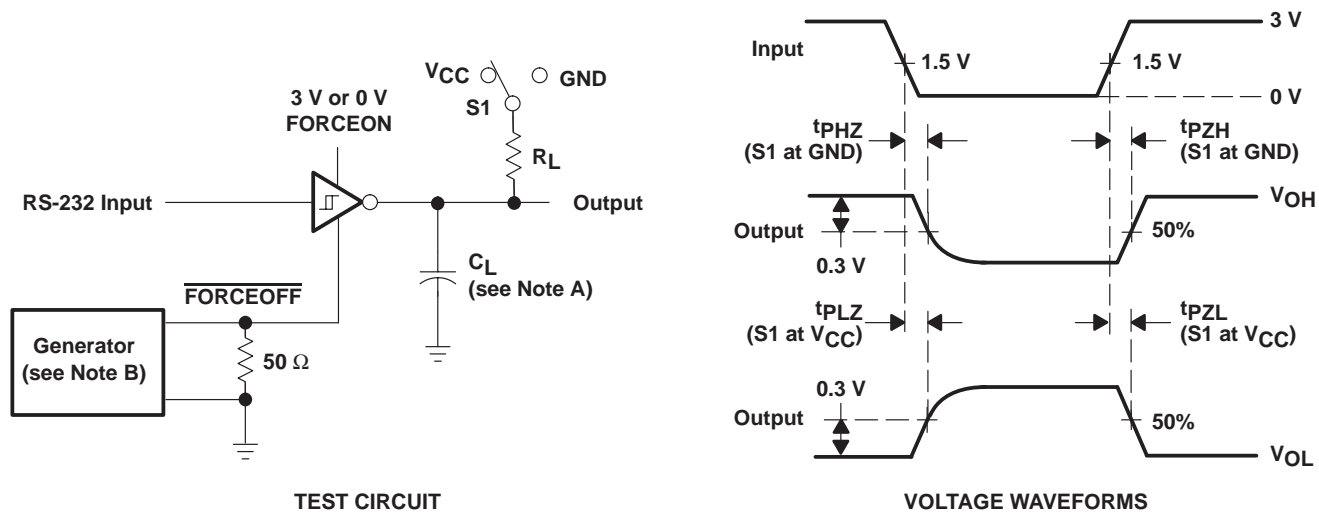


NOTES: A.  $C_L$  includes probe and jig capacitance.  
B. The pulse generator has the following characteristics:  $Z_O = 50\ \Omega$ , 50% duty cycle,  $t_r \leq 10\ \text{ns}$ ,  $t_f \leq 10\ \text{ns}$ .

Figure 3. Receiver Propagation Delay Times



**PARAMETER MEASUREMENT INFORMATION**



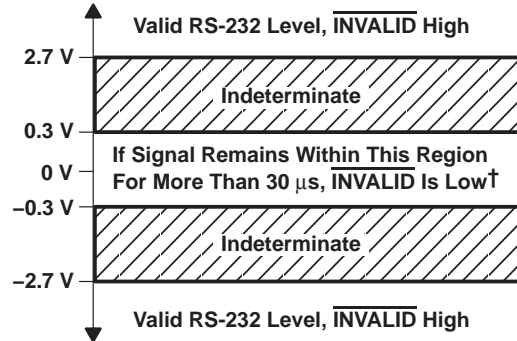
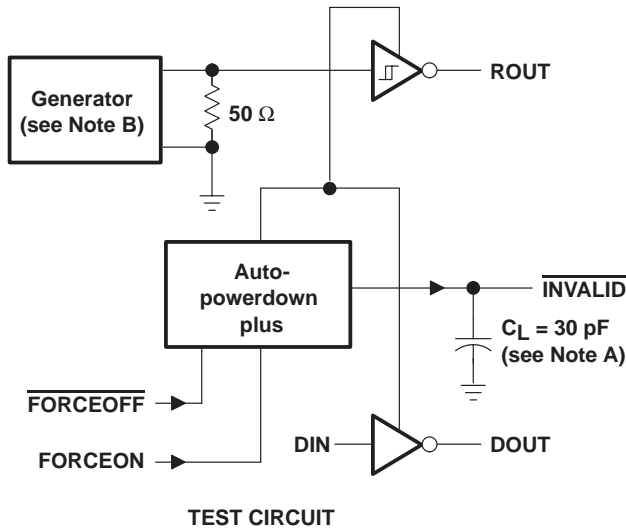
- NOTES: A.  $C_L$  includes probe and jig capacitance.  
 B. The pulse generator has the following characteristics:  $Z_O = 50 \Omega$ , 50% duty cycle,  $t_r \leq 10 \text{ ns}$ ,  $t_f \leq 10 \text{ ns}$ .  
 C.  $t_{PLZ}$  and  $t_{PHZ}$  are the same as  $t_{dis}$ .  
 D.  $t_{PZL}$  and  $t_{PZH}$  are the same as  $t_{en}$ .

**Figure 4. Receiver Enable and Disable Times**

# SN65C3238, SN75C3238 3-V TO 5.5-V MULTICHANNEL COMPATIBLE RS-232 LINE DRIVER/RECEIVER

SLLS352D – JUNE 1999 – REVISED MARCH 2004

## PARAMETER MEASUREMENT INFORMATION



† Auto-powerdown plus disables drivers and reduces supply current to 1  $\mu$ A.

- NOTES: A.  $C_L$  includes probe and jig capacitance.  
 B. The pulse generator has the following characteristics: PRR = 5 kbit/s,  $Z_O = 50 \Omega$ , 50% duty cycle,  $t_r \leq 10$  ns,  $t_f \leq 10$  ns.

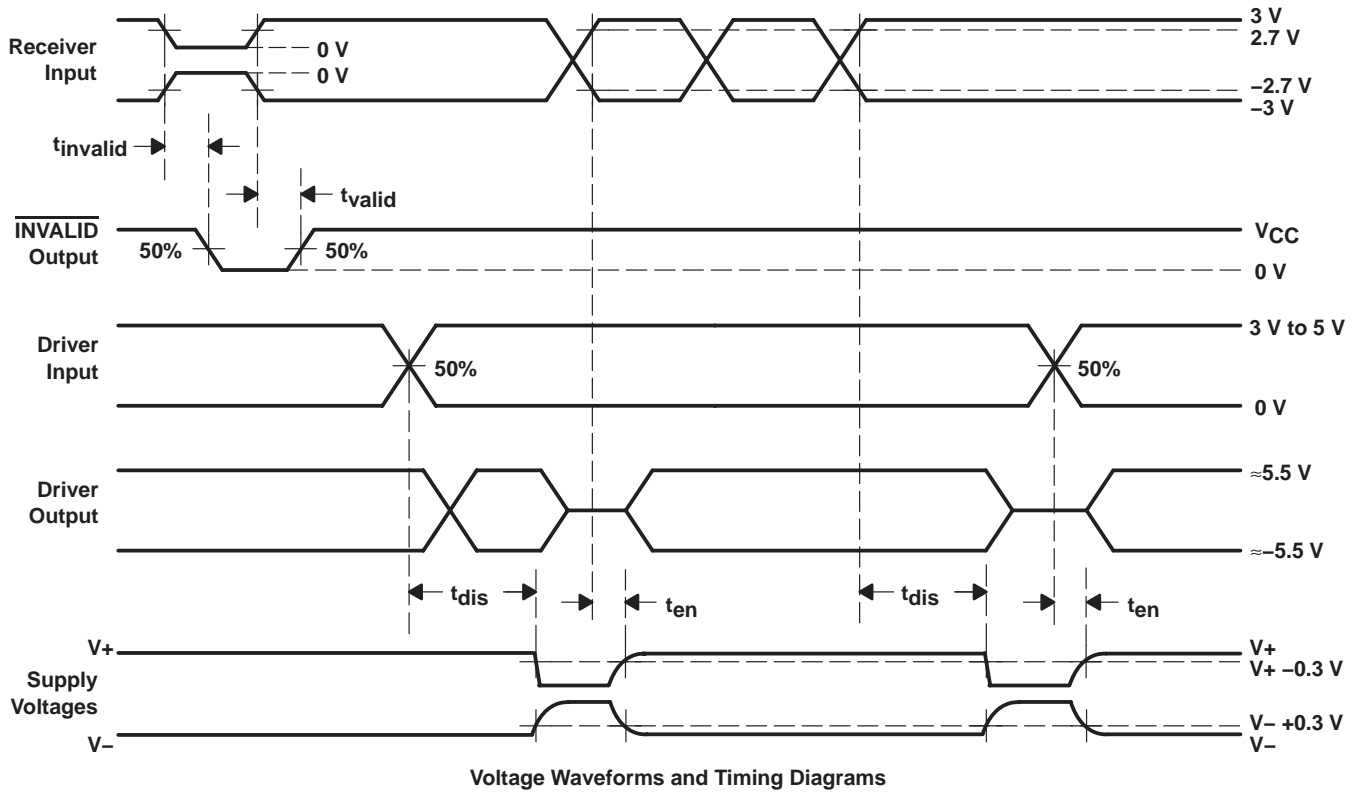


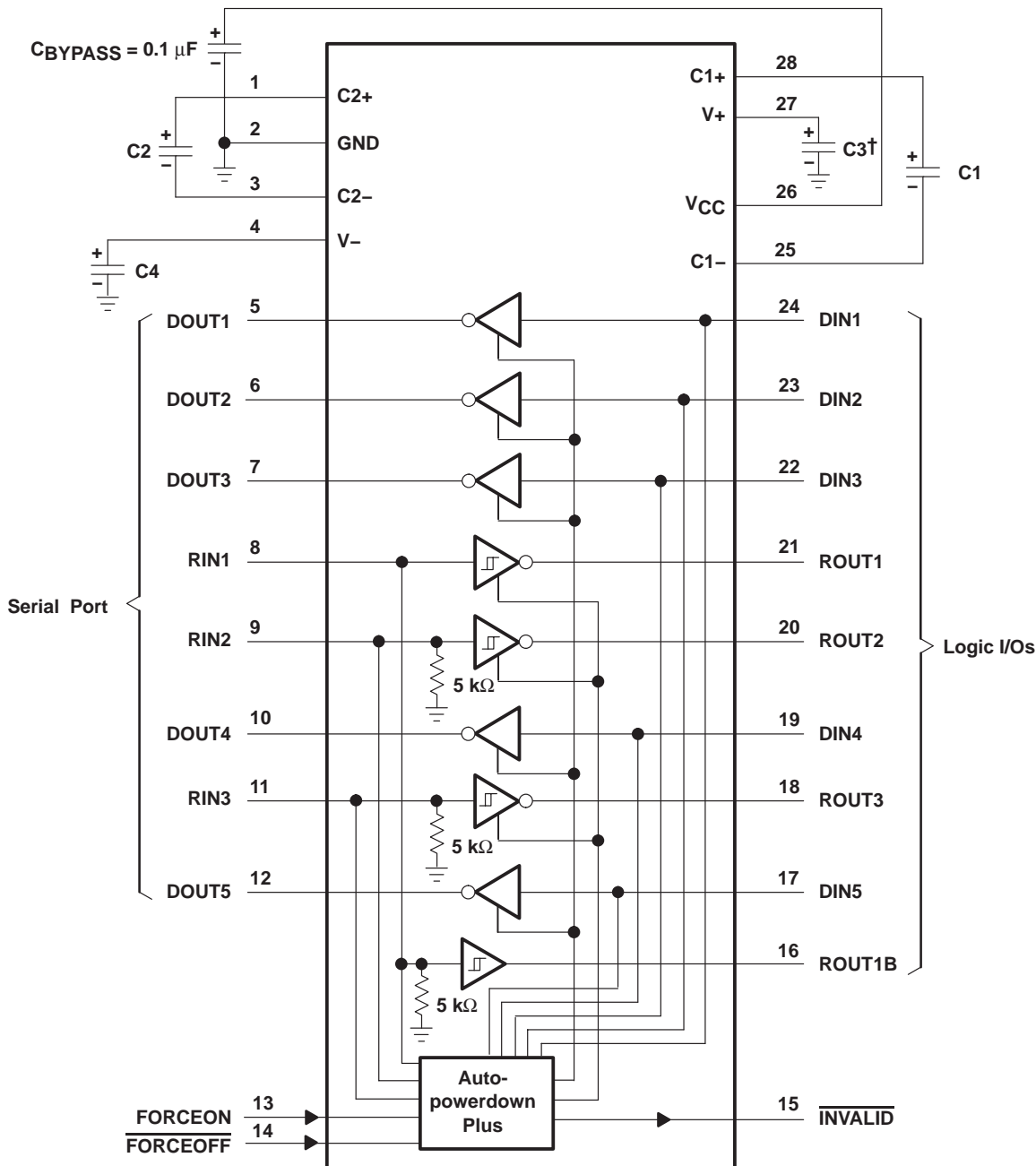
Figure 5.  $\overline{\text{INVALID}}$  Propagation Delay Times and Supply Enabling Time

# SN65C3238, SN75C3238

## 3-V TO 5.5-V MULTICHANNEL COMPATIBLE RS-232 LINE DRIVER/RECEIVER

SLLS352D – JUNE 1999 – REVISED MARCH 2004

### APPLICATION INFORMATION



† C3 can be connected to V<sub>CC</sub> or GND.

NOTE A: Resistor values shown are nominal.

**V<sub>CC</sub> vs CAPACITOR VALUES**

| V <sub>CC</sub> | C1       | C2, C3, and C4 |
|-----------------|----------|----------------|
| 3.3 V ± 0.15 V  | 0.1 μF   | 0.1 μF         |
| 3.3 V ± 0.3 V   | 0.22 μF  | 0.22 μF        |
| 5 V ± 0.5 V     | 0.047 μF | 0.33 μF        |
| 3 V to 5.5 V    | 0.22 μF  | 1 μF           |

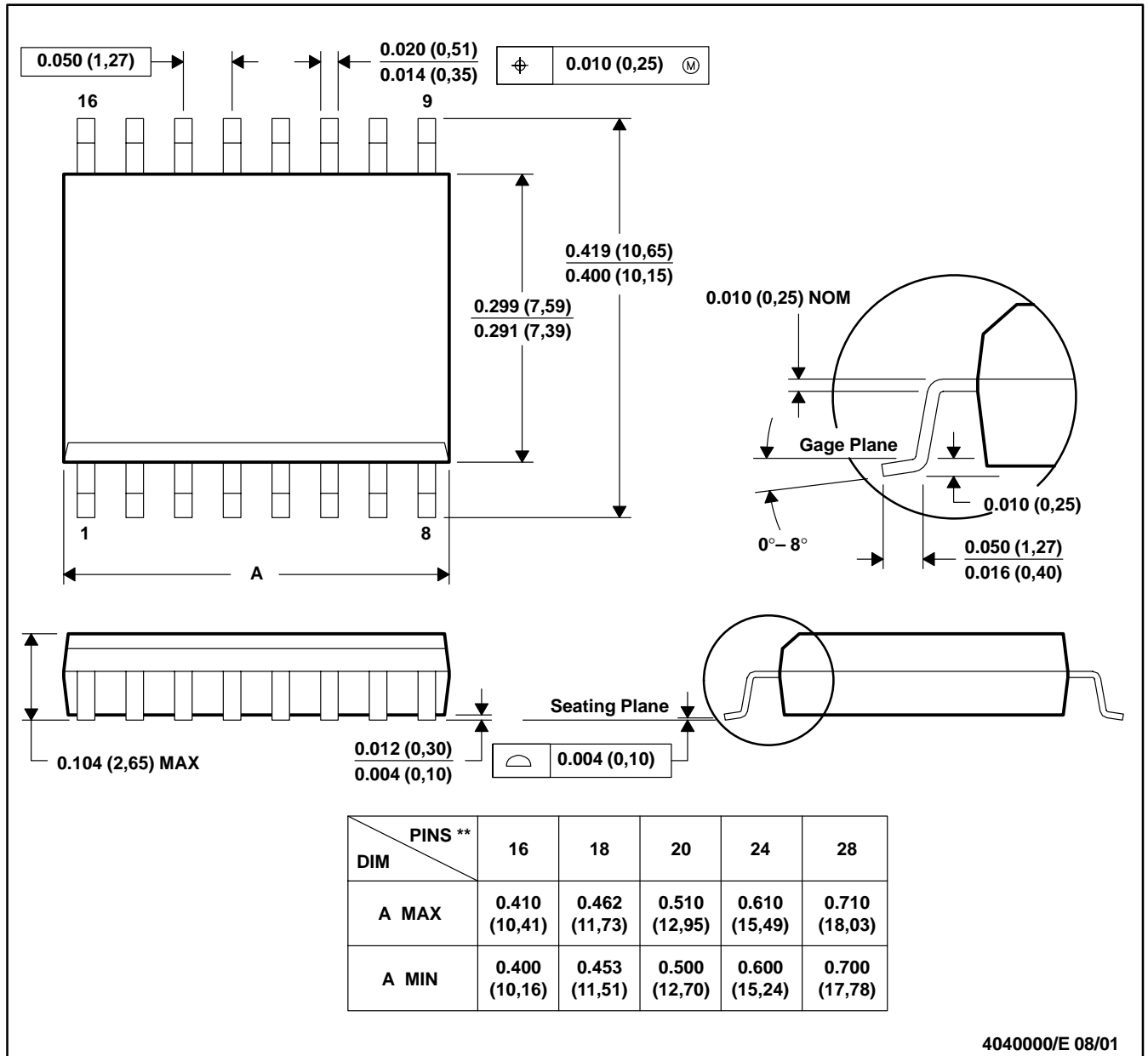
**Figure 6. Typical Operating Circuit and Capacitor Values**



DW (R-PDSO-G\*\*)

PLASTIC SMALL-OUTLINE PACKAGE

16 PINS SHOWN



4040000/E 08/01

- NOTES: A. All linear dimensions are in inches (millimeters).  
 B. This drawing is subject to change without notice.  
 C. Body dimensions do not include mold flash or protrusion not to exceed 0.006 (0,15).  
 D. Falls within JEDEC MS-013

DB (R-PDSO-G\*\*)

PLASTIC SMALL-OUTLINE

28 PINS SHOWN



4040065 /E 12/01

- NOTES: A. All linear dimensions are in millimeters.  
 B. This drawing is subject to change without notice.  
 C. Body dimensions do not include mold flash or protrusion not to exceed 0,15.  
 D. Falls within JEDEC MO-150

PW (R-PDSO-G\*\*)

PLASTIC SMALL-OUTLINE PACKAGE

14 PINS SHOWN



4040064/F 01/97

- NOTES: A. All linear dimensions are in millimeters.  
 B. This drawing is subject to change without notice.  
 C. Body dimensions do not include mold flash or protrusion not to exceed 0,15.  
 D. Falls within JEDEC MO-153

## IMPORTANT NOTICE

Texas Instruments Incorporated and its subsidiaries (TI) reserve the right to make corrections, modifications, enhancements, improvements, and other changes to its products and services at any time and to discontinue any product or service without notice. Customers should obtain the latest relevant information before placing orders and should verify that such information is current and complete. All products are sold subject to TI's terms and conditions of sale supplied at the time of order acknowledgment.

TI warrants performance of its hardware products to the specifications applicable at the time of sale in accordance with TI's standard warranty. Testing and other quality control techniques are used to the extent TI deems necessary to support this warranty. Except where mandated by government requirements, testing of all parameters of each product is not necessarily performed.

TI assumes no liability for applications assistance or customer product design. Customers are responsible for their products and applications using TI components. To minimize the risks associated with customer products and applications, customers should provide adequate design and operating safeguards.

TI does not warrant or represent that any license, either express or implied, is granted under any TI patent right, copyright, mask work right, or other TI intellectual property right relating to any combination, machine, or process in which TI products or services are used. Information published by TI regarding third-party products or services does not constitute a license from TI to use such products or services or a warranty or endorsement thereof. Use of such information may require a license from a third party under the patents or other intellectual property of the third party, or a license from TI under the patents or other intellectual property of TI.

Reproduction of information in TI data books or data sheets is permissible only if reproduction is without alteration and is accompanied by all associated warranties, conditions, limitations, and notices. Reproduction of this information with alteration is an unfair and deceptive business practice. TI is not responsible or liable for such altered documentation.

Resale of TI products or services with statements different from or beyond the parameters stated by TI for that product or service voids all express and any implied warranties for the associated TI product or service and is an unfair and deceptive business practice. TI is not responsible or liable for any such statements.

Following are URLs where you can obtain information on other Texas Instruments products and application solutions:

| <b>Products</b>  |  | <b>Applications</b> |  |
|------------------|--|---------------------|--|
| Amplifiers       | <a href="http://amplifier.ti.com">amplifier.ti.com</a>             | Audio               | <a href="http://www.ti.com/audio">www.ti.com/audio</a>                   |
| Data Converters  | <a href="http://dataconverter.ti.com">dataconverter.ti.com</a>     | Automotive          | <a href="http://www.ti.com/automotive">www.ti.com/automotive</a>         |
| DSP              | <a href="http://dsp.ti.com">dsp.ti.com</a>                         | Broadband           | <a href="http://www.ti.com/broadband">www.ti.com/broadband</a>           |
| Interface        | <a href="http://interface.ti.com">interface.ti.com</a>             | Digital Control     | <a href="http://www.ti.com/digitalcontrol">www.ti.com/digitalcontrol</a> |
| Logic            | <a href="http://logic.ti.com">logic.ti.com</a>                     | Military            | <a href="http://www.ti.com/military">www.ti.com/military</a>             |
| Power Mgmt       | <a href="http://power.ti.com">power.ti.com</a>                     | Optical Networking  | <a href="http://www.ti.com/opticalnetwork">www.ti.com/opticalnetwork</a> |
| Microcontrollers | <a href="http://microcontroller.ti.com">microcontroller.ti.com</a> | Security            | <a href="http://www.ti.com/security">www.ti.com/security</a>             |
|                  |  | Telephony           | <a href="http://www.ti.com/telephony">www.ti.com/telephony</a>           |
|                  |  | Video & Imaging     | <a href="http://www.ti.com/video">www.ti.com/video</a>                   |
|                  |  | Wireless            | <a href="http://www.ti.com/wireless">www.ti.com/wireless</a>             |

Mailing Address: Texas Instruments  
Post Office Box 655303 Dallas, Texas 75265

Copyright © 2004, Texas Instruments Incorporated