



## 3.3-V RS-485 TRANSCEIVERS

 Check for Samples: [SN65HVD10](#), [SN65HVD10Q](#), [SN75HVD10](#), [SN65HVD11](#), [SN65HVD11Q](#), [SN75HVD11](#), [SN65HVD12](#), [SN75HVD12](#)

### FEATURES

- Operates With a 3.3-V Supply
- Bus-Pin ESD Protection Exceeds 16 kV HBM
- 1/8 Unit-Load Option Available (Up to 256 Nodes on the Bus)
- Optional Driver Output Transition Times for Signaling Rates <sup>(1)</sup> of 1 Mbps, 10 Mbps, and 32 Mbps
- Meets or Exceeds the Requirements of ANSI TIA/EIA-485-A
- Bus-Pin Short Circuit Protection From –7 V to 12 V
- Low-Current Standby Mode . . . 1  $\mu$ A Typical
- Open-Circuit, Idle-Bus, and Shorted-Bus Failsafe Receiver
- Thermal Shutdown Protection
- Glitch-Free Power-Up and Power-Down Protection for Hot-Plugging Applications
- SN75176 Footprint

### APPLICATIONS

- Digital Motor Control
- Utility Meters
- Chassis-to-Chassis Interconnects
- Electronic Security Stations
- Industrial Process Control
- Building Automation
- Point-of-Sale (POS) Terminals and Networks

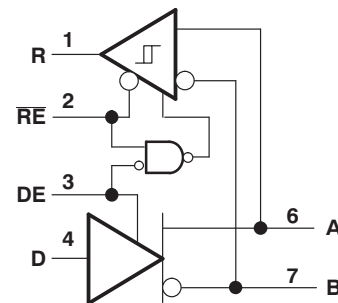
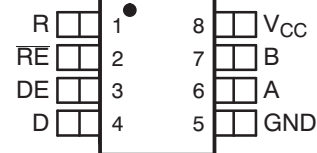
(1) The signaling rate of a line is the number of voltage transitions that are made per second expressed in the units bps (bits per second).

### DESCRIPTION

The SN65HVD10, SN75HVD10, SN65HVD11, SN75HVD11, SN65HVD12, and SN75HVD12 combine a 3-state differential line driver and differential input line receiver that operate with a single 3.3-V power supply. They are designed for balanced transmission lines and meet or exceed ANSI standard TIA/EIA-485-A and ISO 8482:1993. These differential bus transceivers are monolithic integrated circuits designed for bidirectional data communication on multipoint bus-transmission lines. The drivers and receivers have active-high and active-low enables respectively, that can be externally connected together to function as direction control. Very low device standby supply current can be achieved by disabling the driver and the receiver.

The driver differential outputs and receiver differential inputs connect internally to form a differential input/output (I/O) bus port that is designed to offer minimum loading to the bus whenever the driver is disabled or  $V_{CC} = 0$ . These parts feature wide positive and negative common-mode voltage ranges, making them suitable for party-line applications.

D OR P PACKAGE  
(TOP VIEW)



Please be aware that an important notice concerning availability, standard warranty, and use in critical applications of Texas Instruments semiconductor products and disclaimers thereto appears at the end of this data sheet.



These devices have limited built-in ESD protection. The leads should be shorted together or the device placed in conductive foam during storage or handling to prevent electrostatic damage to the MOS gates.

### ORDERING INFORMATION

SIGNALING RATE	UNIT LOADS	T <sub>A</sub>	PACKAGE		SOIC MARKING
			SOIC <sup>(1)</sup>	PDIP	
32 Mbps	1/2	–40°C to 85°C	SN65HVD10D	SN65HVD10P	VP10
10 Mbps	1/8		SN65HVD11D	SN65HVD11P	VP11
1 Mbps	1/8		SN65HVD12D	SN65HVD12P	VP12
32 Mbps	1/2	–0°C to 70°C	SN75HVD10D	SN75HVD10P	VN10
10 Mbps	1/8		SN75HVD11D	SN75HVD11P	VN11
1 Mbps	1/8		SN75HVD12D	SN75HVD12P	VN12
32 Mbps	1/2	–40°C to 125°C	SN65HVD10QD	SN65HVD10QP	VP10Q
10 Mbps	1/8		SN65HVD11QD	SN65HVD11QP	VP11Q

(1) The D package is available taped and reeled. Add an R suffix to the part number (i.e., SN75HVD11DR).

### ABSOLUTE MAXIMUM RATINGS

over operating free-air temperature range unless otherwise noted <sup>(1)</sup> <sup>(2)</sup>

		UNIT	
V <sub>CC</sub>	Supply voltage range	–0.3 V to 6 V	
	Voltage range at A or B	–9 V to 14 V	
	Input voltage range at D, DE, R or $\overline{RE}$	–0.5 V to V <sub>CC</sub> + 0.5 V	
	Voltage input range, transient pulse, A and B, through 100 Ω, see <a href="#">Figure 11</a>	–50 V to 50 V	
I <sub>O</sub>	Receiver output current	–11 mA to 11 mA	
Electrostatic discharge	Human body model <sup>(3)</sup>	A, B, and GND	±16 kV
		All pins	±4 kV
	Charged-device model <sup>(4)</sup>	All pins charge	±1 kV
Continuous total power dissipation		See Dissipation Rating Table	
	Electrical Fast Transient/Burst <sup>(5)</sup>	A, B, and GND	±4 kV
T <sub>J</sub>	Junction temperature	170°C	

(1) Stresses beyond those listed under absolute maximum ratings may cause permanent damage to the device. These are stress ratings only, and functional operation of the device at these or any other conditions beyond those indicated under recommended operating conditions is not implied. Exposure to absolute-maximum-rated conditions for extended periods may affect device reliability.

(2) All voltage values, except differential I/O bus voltages, are with respect to network ground terminal.

(3) Tested in accordance with JEDEC Standard 22, Test Method A114-A and IEC 60749-26.

(4) Tested in accordance with JEDEC Standard 22, Test Method C101.

(5) Tested in accordance with IEC 61000-4-4.

### PACKAGE DISSIPATION RATINGS

PACKAGE	T <sub>A</sub> ≤ 25°C POWER RATING	DERATING FACTOR <sup>(1)</sup> ABOVE T <sub>A</sub> = 25°C	T <sub>A</sub> = 70°C POWER RATING	T <sub>A</sub> = 85°C POWER RATING	T <sub>A</sub> = 125°C POWER RATING
D <sup>(2)</sup>	597 mW	4.97 mW/°C	373 mW	298 mW	100 mW
D <sup>(3)</sup>	990 mW	8.26 mW/°C	620 mW	496 mW	165 mW
P	1290 mW	10.75 mW/°C	806 mW	645 mW	215 mW

(1) This is the inverse of the junction-to-ambient thermal resistance when board-mounted and with no air flow.

(2) Tested in accordance with the Low-K thermal metric definitions of EIA/JESD51-3.

(3) Tested in accordance with the High-K thermal metric definitions of EIA/JESD51-7.

## RECOMMENDED OPERATING CONDITIONS

over operating free-air temperature range unless otherwise noted

		MIN	NOM	MAX	UNIT
$V_{CC}$	Supply voltage	3		3.6	
$V_I$ or $V_{IC}$	Voltage at any bus terminal (separately or common mode)	$-7^{(1)}$		12	
$V_{IH}$	High-level input voltage	D, DE, $\overline{RE}$		$V_{CC}$	V
$V_{IL}$	Low-level input voltage	D, DE, $\overline{RE}$		0.8	
$V_{ID}$	Differential input voltage	Figure 7		12	
$I_{OH}$	High-level output current	Driver		-60	mA
		Receiver		-8	
$I_{OL}$	Low-level output current	Driver		60	mA
		Receiver		8	
$R_L$	Differential load resistance	54	60		$\Omega$
$C_L$	Differential load capacitance		50		pF
Signaling rate	HVD10			32	Mbps
	HVD11			10	
	HVD12			1	
$T_J^{(2)}$	Junction temperature			145	$^{\circ}\text{C}$

(1) The algebraic convention, in which the least positive (most negative) limit is designated as minimum is used in this data sheet.

(2) See thermal characteristics table for information regarding this specification.

## DRIVER ELECTRICAL CHARACTERISTICS

over recommended operating conditions unless otherwise noted

PARAMETER		TEST CONDITIONS		MIN	TYP <sup>(1)</sup>	MAX	UNIT
$V_{IK}$	Input clamp voltage	$I_I = -18 \text{ mA}$		-1.5			V
$ V_{OD} $	Differential output voltage <sup>(2)</sup>	$I_O = 0$		2		$V_{CC}$	V
		$R_L = 54 \Omega$ , See Figure 1		1.5			
		$V_{test} = -7 \text{ V to } 12 \text{ V}$ , See Figure 2		1.5			
$\Delta V_{OD} $	Change in magnitude of differential output voltage	See Figure 1 and Figure 2		-0.2		0.2	V
$V_{OC(PP)}$	Peak-to-peak common-mode output voltage	See Figure 3			400		mV
$V_{OC(SS)}$	Steady-state common-mode output voltage			1.4		2.5	V
$\Delta V_{OC(SS)}$	Change in steady-state common-mode output voltage			-0.05		0.05	V
$I_{OZ}$	High-impedance output current	See receiver input currents					
$I_I$	Input current	D		-100		0	$\mu\text{A}$
		DE		0		100	
$I_{OS}$	Short-circuit output current	$-7 \text{ V} \leq V_O \leq 12 \text{ V}$		-250		250	mA
$C_{(OD)}$	Differential output capacitance	$V_{OD} = 0.4 \sin(4E6\pi t) + 0.5 \text{ V}$ , DE at 0 V			16		pF
$I_{CC}$	Supply current	$\overline{RE}$ at $V_{CC}$ , D & DE at $V_{CC}$ , No load	Receiver disabled and driver enabled		9	15.5	mA
		$\overline{RE}$ at $V_{CC}$ , D at $V_{CC}$ , DE at 0 V, No load	Receiver disabled and driver disabled (standby)		1	5	$\mu\text{A}$
		$\overline{RE}$ at 0 V, D & DE at $V_{CC}$ , No load	Receiver enabled and driver enabled		9	15.5	mA

(1) All typical values are at 25°C and with a 3.3-V supply.

 (2) For  $T_A > 85^{\circ}\text{C}$ ,  $V_{CC}$  is  $\pm 5\%$ .

## DRIVER SWITCHING CHARACTERISTICS

over recommended operating conditions unless otherwise noted

PARAMETER		TEST CONDITIONS	MIN	TYP <sup>(1)</sup>	MAX	UNIT
t <sub>PLH</sub>	Propagation delay time, low-to-high-level output	HVD10	5	8.5	16	ns
		HVD11	18	25	40	
		HVD12	135	200	300	
t <sub>PHL</sub>	Propagation delay time, high-to-low-level output	HVD10	5	8.5	16	ns
		HVD11	18	25	40	
		HVD12	135	200	300	
t <sub>r</sub>	Differential output signal rise time	HVD10	3	4.5	10	ns
		HVD11	10	20	30	
		HVD12	100	170	300	
t <sub>f</sub>	Differential output signal fall time	HVD10	3	4.5	10	ns
		HVD11	10	20	30	
		HVD12	100	170	300	
t <sub>sk(p)</sub>	Pulse skew ( t <sub>PHL</sub> – t <sub>PLH</sub>  )	HVD10			1.5	ns
		HVD11			2.5	
		HVD12			7	
t <sub>sk(pp)</sub> <sup>(2)</sup>	Part-to-part skew	HVD10			6	ns
		HVD11			11	
		HVD12			100	
t <sub>PZH</sub>	Propagation delay time, high-impedance-to-high-level output	HVD10			31	ns
		HVD11			55	
		HVD12			300	
t <sub>PHZ</sub>	Propagation delay time, high-level-to-high-impedance output	HVD10			25	ns
		HVD11			55	
		HVD12			300	
t <sub>PZL</sub>	Propagation delay time, high-impedance-to-low-level output	HVD10			26	ns
		HVD11			55	
		HVD12			300	
t <sub>PLZ</sub>	Propagation delay time, low-level-to-high-impedance output	HVD10			26	ns
		HVD11			75	
		HVD12			400	
t <sub>PZH</sub>	Propagation delay time, standby-to-high-level output	R <sub>L</sub> = 110 Ω, $\overline{RE}$ at 3 V, See Figure 5			6	μs
t <sub>PZL</sub>	Propagation delay time, standby-to-low-level output	R <sub>L</sub> = 110 Ω, $\overline{RE}$ at 3 V, See Figure 6			6	μs

(1) All typical values are at 25°C and with a 3.3-V supply.

(2) t<sub>sk(pp)</sub> is the magnitude of the difference in propagation delay times between any specified terminals of two devices when both devices operate with the same supply voltages, at the same temperature, and have identical packages and test circuits.

## RECEIVER ELECTRICAL CHARACTERISTICS

over recommended operating conditions unless otherwise noted

PARAMETER		TEST CONDITIONS	MIN	TYP <sup>(1)</sup>	MAX	UNIT
$V_{IT+}$	Positive-going input threshold voltage	$I_O = -8$ mA		-0.65	-0.01	V
$V_{IT-}$	Negative-going input threshold voltage	$I_O = 8$ mA	-0.2	-0.1		
$V_{hys}$	Hysteresis voltage ( $V_{IT+} - V_{IT-}$ )			35		mV
$V_{IK}$	Enable-input clamp voltage	$I_I = -18$ mA	-1.5			V
$V_{OH}$	High-level output voltage	$V_{ID} = 200$ mV, $I_{OH} = -8$ mA, See <a href="#">Figure 7</a>	2.4			V
$V_{OL}$	Low-level output voltage	$V_{ID} = -200$ mV, $I_{OL} = 8$ mA, See <a href="#">Figure 7</a>			0.4	V
$I_{OZ}$	High-impedance-state output current	$V_O = 0$ or $V_{CC}$ , $\overline{RE}$ at $V_{CC}$	-1		1	$\mu$ A
$I_I$	Bus input current	$V_A$ or $V_B = 12$ V	HVD11, HVD12, Other input at 0 V	0.05	0.11	mA
		$V_A$ or $V_B = 12$ V, $V_{CC} = 0$ V		0.06	0.13	
		$V_A$ or $V_B = -7$ V		-0.1	-0.05	
		$V_A$ or $V_B = -7$ V, $V_{CC} = 0$ V		-0.05	-0.04	
		$V_A$ or $V_B = 12$ V	HVD10, Other input at 0 V	0.2	0.5	mA
		$V_A$ or $V_B = 12$ V, $V_{CC} = 0$ V		0.25	0.5	
		$V_A$ or $V_B = -7$ V		-0.4	-0.2	
		$V_A$ or $V_B = -7$ V, $V_{CC} = 0$ V		-0.4	-0.15	
$I_{IH}$	High-level input current, $\overline{RE}$	$V_{IH} = 2$ V	-30		0	$\mu$ A
$I_{IL}$	Low-level input current, $\overline{RE}$	$V_{IL} = 0.8$ V	-30		0	$\mu$ A
$C_{ID}$	Differential input capacitance	$V_{ID} = 0.4 \sin(4E6\pi t) + 0.5$ V, DE at 0 V		15		pF
$I_{CC}$	Supply current	$\overline{RE}$ at 0 V, D & DE at 0 V, No load	Receiver enabled and driver disabled	4	8	mA
		$\overline{RE}$ at $V_{CC}$ , D at $V_{CC}$ , DE at 0 V, No load	Receiver disabled and driver disabled (standby)	1	5	$\mu$ A
		$\overline{RE}$ at 0 V, D & DE at $V_{CC}$ , No load	Receiver enabled and driver enabled	9	15.5	mA

(1) All typical values are at 25°C and with a 3.3-V supply.

## RECEIVER SWITCHING CHARACTERISTICS

over recommended operating conditions unless otherwise noted

PARAMETER			TEST CONDITIONS	MIN	TYP <sup>(1)</sup>	MAX	UNIT
$t_{PLH}$	Propagation delay time, low-to-high-level output	HVD10	$V_{ID} = -1.5\text{ V to }1.5\text{ V},$ $C_L = 15\text{ pF},$ See <a href="#">Figure 8</a>	12.5	20	25	ns
$t_{PHL}$	Propagation delay time, high-to-low-level output	HVD10		12.5	20	25	
$t_{PLH}$	Propagation delay time, low-to-high-level output	HVD11 HVD12		30	55	70	ns
$t_{PHL}$	Propagation delay time, high-to-low-level output	HVD11 HVD12		30	55	70	
$t_{sk(p)}$	Pulse skew ( $ t_{PHL} - t_{PLH} $ )	HVD10				1.5	ns
		HVD11				4	
		HVD12				4	
$t_{sk(pp)}$ <sup>(2)</sup>	Part-to-part skew	HVD10				8	ns
		HVD11			15		
		HVD12			15		
$t_r$	Output signal rise time		$C_L = 15\text{ pF},$ See <a href="#">Figure 8</a>	1	2	5	ns
$t_f$	Output signal fall time			1	2	5	
$t_{PZH}$ <sup>(1)</sup>	Output enable time to high level		$C_L = 15\text{ pF},$ DE at 3 V, See <a href="#">Figure 9</a>			15	ns
$t_{PZL}$ <sup>(1)</sup>	Output enable time to low level					15	
$t_{PHZ}$	Output disable time from high level					20	
$t_{PLZ}$	Output disable time from low level					15	
$t_{PZH}$ <sup>(2)</sup>	Propagation delay time, standby-to-high-level output		$C_L = 15\text{ pF},$ DE at 0, See <a href="#">Figure 10</a>			6	$\mu\text{s}$
$t_{PZL}$ <sup>(2)</sup>	Propagation delay time, standby-to-low-level output					6	

(1) All typical values are at 25°C and with a 3.3-V supply

(2)  $t_{sk(pp)}$  is the magnitude of the difference in propagation delay times between any specified terminals of two devices when both devices operate with the same supply voltages, at the same temperature, and have identical packages and test circuits.

## THERMAL CHARACTERISTICS

over operating free-air temperature range unless otherwise noted<sup>(1)</sup>

PARAMETER		TEST CONDITIONS		MIN	TYP	MAX	UNIT
$\theta_{JA}$	Junction-to-ambient thermal resistance <sup>(2)</sup>	High-K board <sup>(3)</sup> , No airflow	D pkg		121		$^{\circ}\text{C/W}$
		No airflow <sup>(4)</sup>	P pkg		93		
$\theta_{JB}$	Junction-to-board thermal resistance	High-K board	D pkg		67		
		See <sup>(4)</sup>	P pkg		57		
$\theta_{JC}$	Junction-to-case thermal resistance		D pkg		41		
			P pkg		55		
$P_D$	Device power dissipation	$R_L = 60\ \Omega, C_L = 50\text{ pF},$ DE at $V_{CC}, RE$ at 0 V, Input to D a 50% duty cycle square wave at indicated signaling rate	HVD10 (32 Mbps)		198	250	mW
			HVD11 (10 Mbps)		141	176	
			HVD12 (500 kbps)		133	161	
$T_A$	Ambient air temperature	High-K board, No airflow	D pkg	-40		116	$^{\circ}\text{C}$
		No airflow <sup>(4)</sup>	P pkg	-40		123	
$T_{JSD}$	Thermal shutdown junction temperature				165		

(1) See *Application Information* section for an explanation of these parameters.

(2) The intent of  $\theta_{JA}$  specification is solely for a thermal performance comparison of one package to another in a standardized environment. This methodology is not meant to and will not predict the performance of a package in an application-specific environment.

(3) JSD51-7, High Effective Thermal Conductivity Test Board for Leaded Surface Mount Packages.

(4) JESD51-10, Test Boards for Through-Hole Perimeter Leaded Package Thermal Measurements.

PARAMETER MEASUREMENT INFORMATION

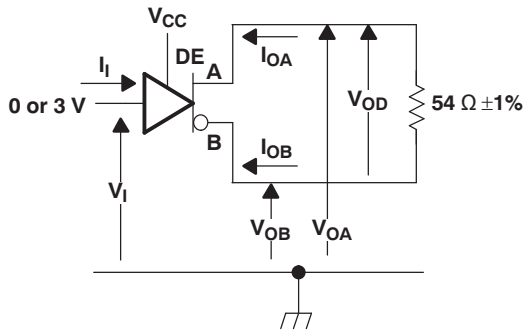


Figure 1. Driver  $V_{OD}$  Test Circuit and Voltage and Current Definitions

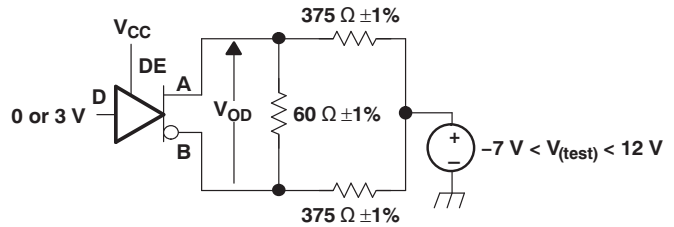
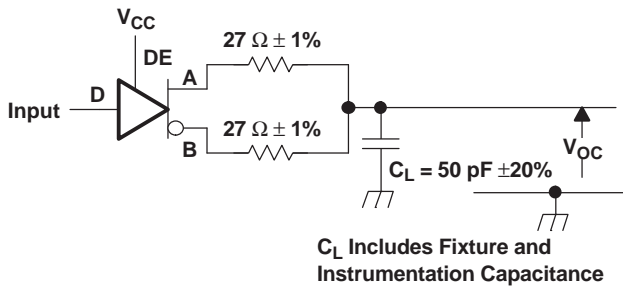
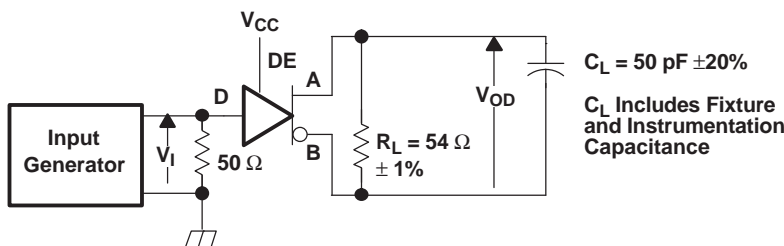
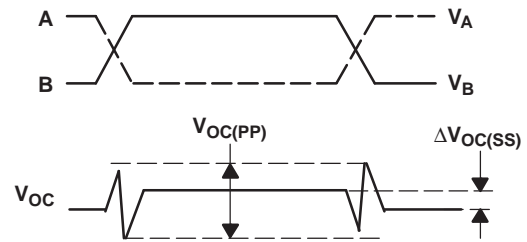


Figure 2. Driver  $V_{OD}$  With Common-Mode Loading Test Circuit



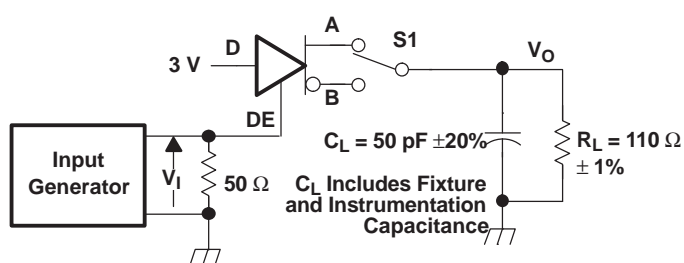
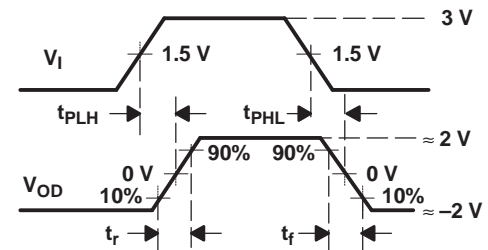
Input: PRR = 500 kHz, 50% Duty Cycle,  $t_r < 6$  ns,  $t_f < 6$  ns,  $Z_o = 50 \Omega$

Figure 3. Test Circuit and Definitions for the Driver Common-Mode Output Voltage



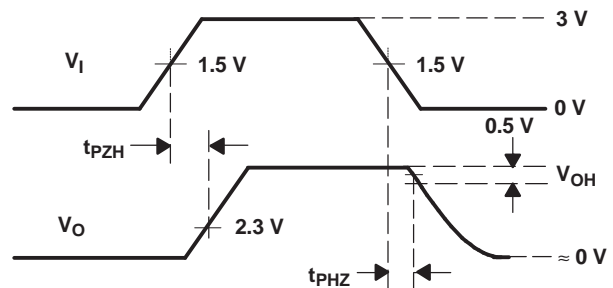
Generator: PRR = 500 kHz, 50% Duty Cycle,  $t_r < 6$  ns,  $t_f < 6$  ns,  $Z_o = 50 \Omega$

Figure 4. Driver Switching Test Circuit and Voltage Waveforms

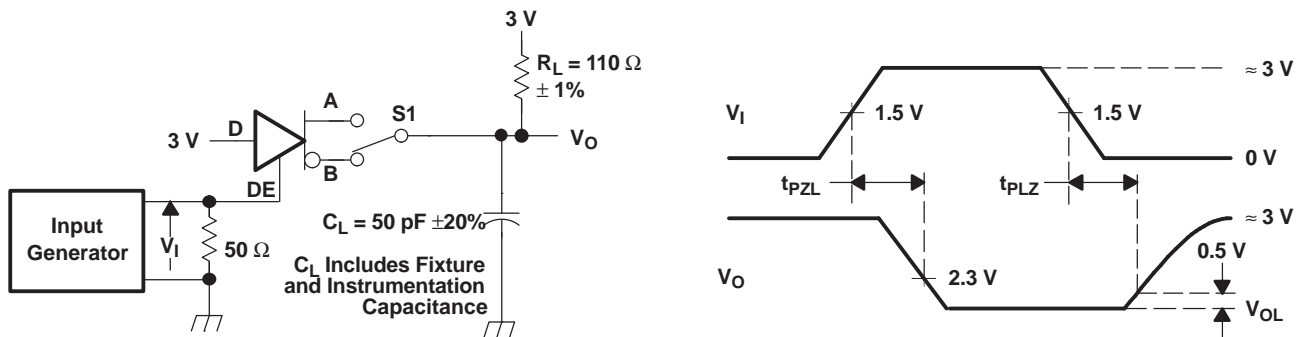


Generator: PRR = 500 kHz, 50% Duty Cycle,  $t_r < 6$  ns,  $t_f < 6$  ns,  $Z_o = 50 \Omega$

Figure 5. Driver High-Level Enable and Disable Time Test Circuit and Voltage Waveforms



PARAMETER MEASUREMENT INFORMATION (continued)



Generator: PRR = 500 kHz, 50% Duty Cycle,  $t_r < 6$  ns,  $t_f < 6$  ns,  $Z_o = 50 \Omega$

Figure 6. Driver Low-Level Output Enable and Disable Time Test Circuit and Voltage Waveforms

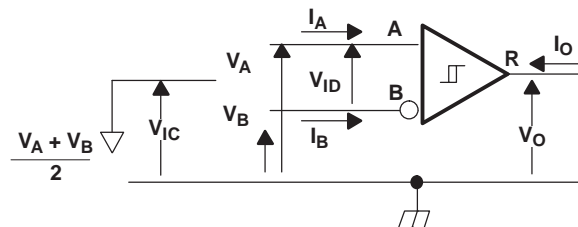
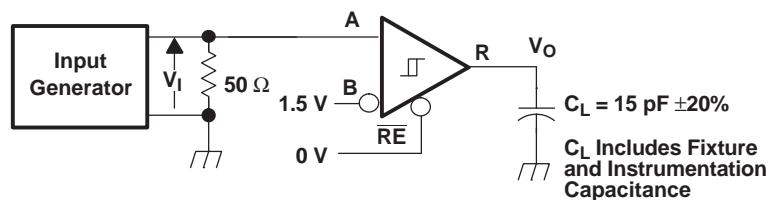


Figure 7. Receiver Voltage and Current Definitions

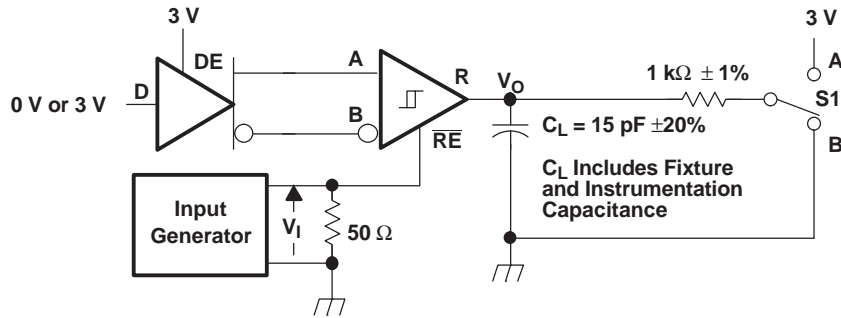


Generator: PRR = 500 kHz, 50% Duty Cycle,  $t_r < 6$  ns,  $t_f < 6$  ns,  $Z_o = 50 \Omega$

Figure 8. Receiver Switching Test Circuit and Voltage Waveforms



PARAMETER MEASUREMENT INFORMATION (continued)



Generator: PRR = 500 kHz, 50% Duty Cycle, t<sub>r</sub> < 6 ns, t<sub>f</sub> < 6 ns, Z<sub>o</sub> = 50 Ω

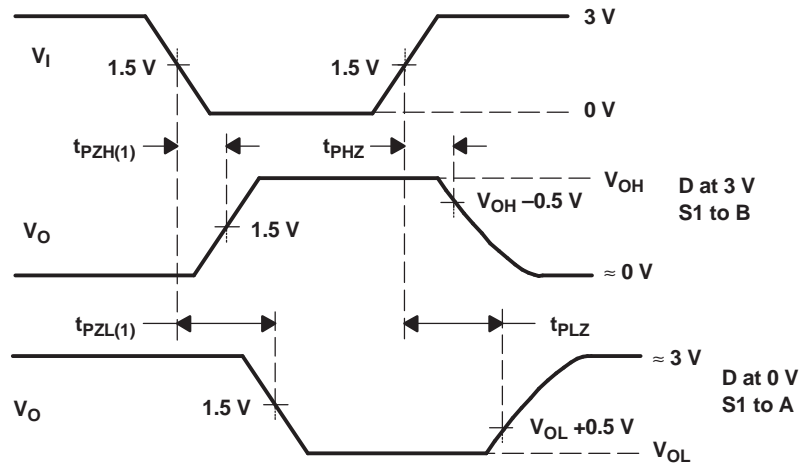
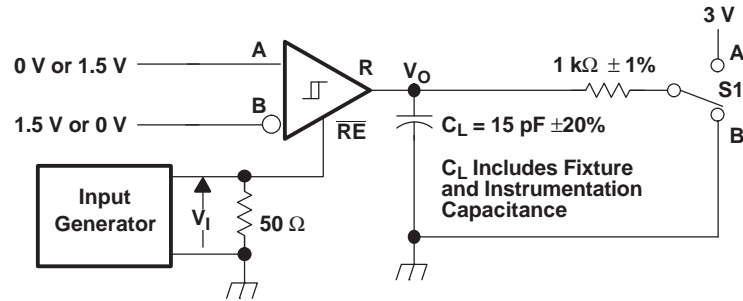


Figure 9. Receiver Enable and Disable Time Test Circuit and Voltage Waveforms With Drivers Enabled

PARAMETER MEASUREMENT INFORMATION (continued)



Generator: PRR = 100 kHz, 50% Duty Cycle,  $t_r < 6$  ns,  $t_f < 6$  ns,  $Z_o = 50 \Omega$

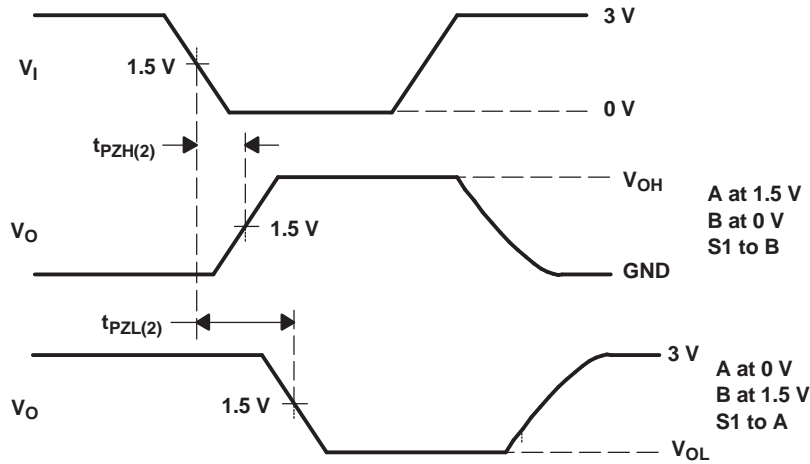
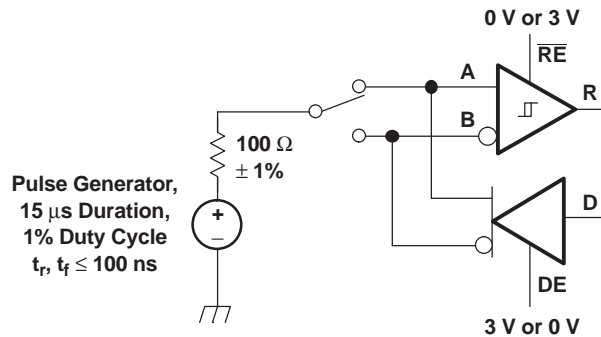


Figure 10. Receiver Enable Time From Standby (Driver Disabled)



NOTE: This test is conducted to test survivability only. Data stability at the R output is not specified.

Figure 11. Test Circuit, Transient Over Voltage Test

**PARAMETER MEASUREMENT INFORMATION (continued)**
**FUNCTION TABLES**
**Table 1. DRIVER<sup>(1)</sup>**

		OUTPUTS	
INPUT D	ENABLE DE	A	B
H	H	H	L
L	H	L	H
X	L	Z	Z
Open	H	H	L

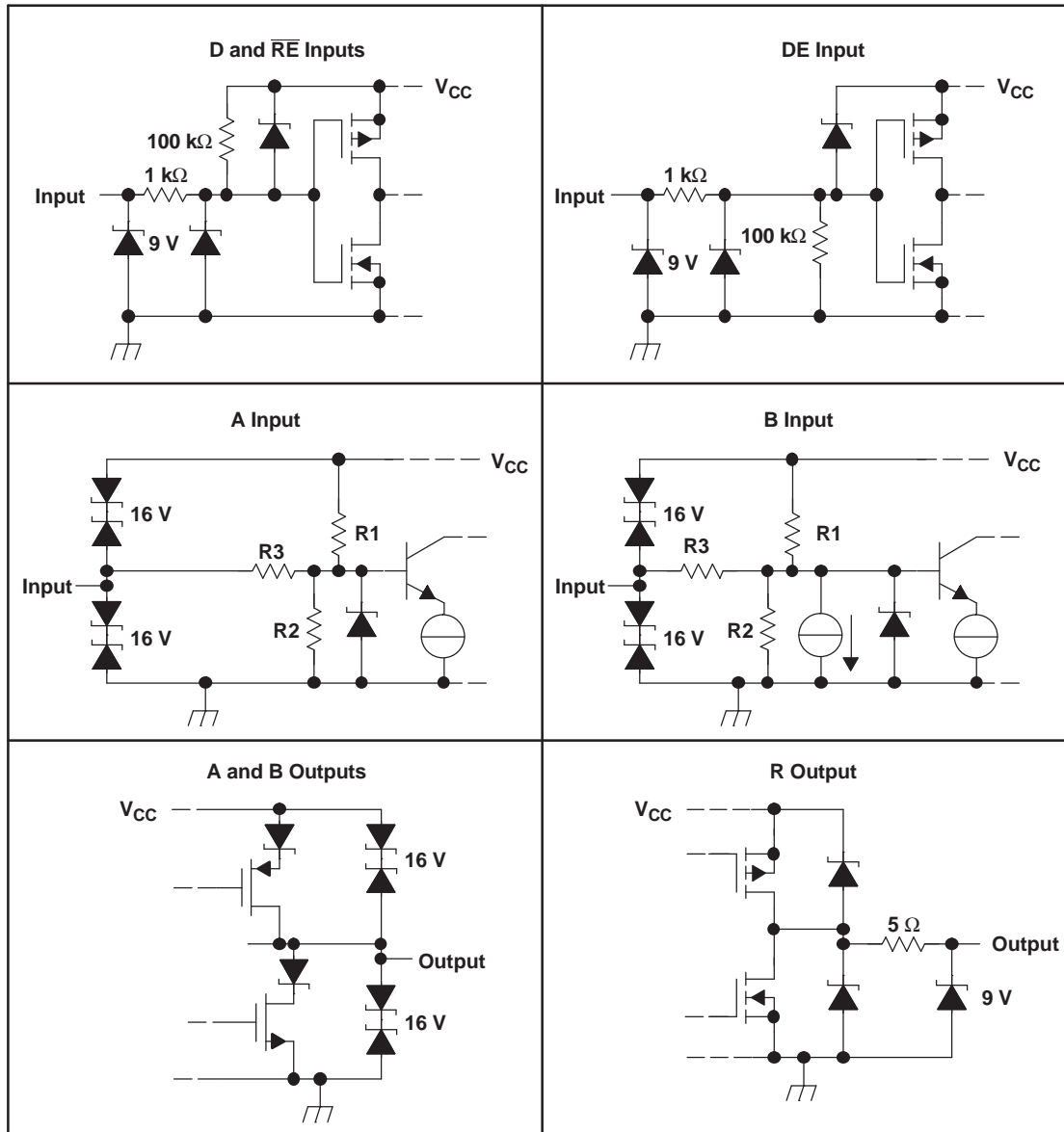
(1) H = high level; L = low level; Z = high impedance; X = irrelevant; ? = indeterminate

**Table 2. RECEIVER<sup>(1)</sup>**

DIFFERENTIAL INPUTS $V_{ID} = V_A - V_B$	ENABLE RE	OUTPUT R
$V_{ID} \leq -0.2 \text{ V}$	L	L
$-0.2 \text{ V} < V_{ID} < -0.01 \text{ V}$	L	?
$-0.01 \text{ V} \leq V_{ID}$	L	H
X	H	Z
Open Circuit	L	H
Short circuit	L	H

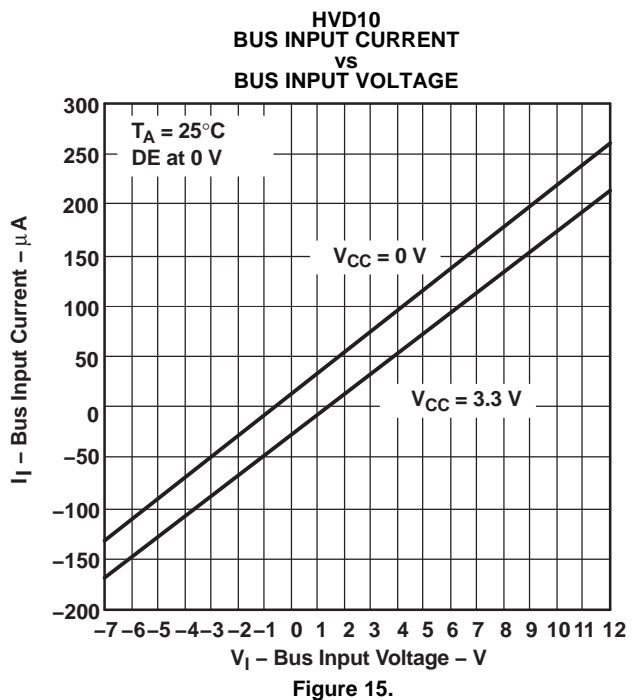
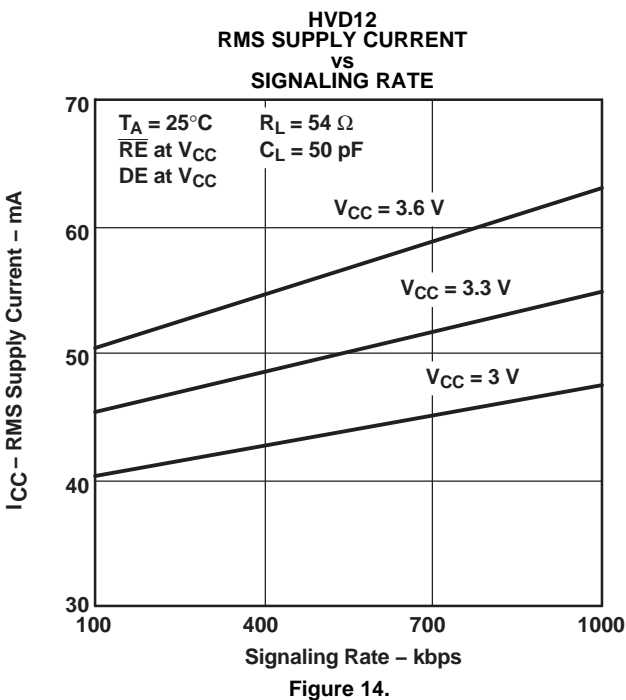
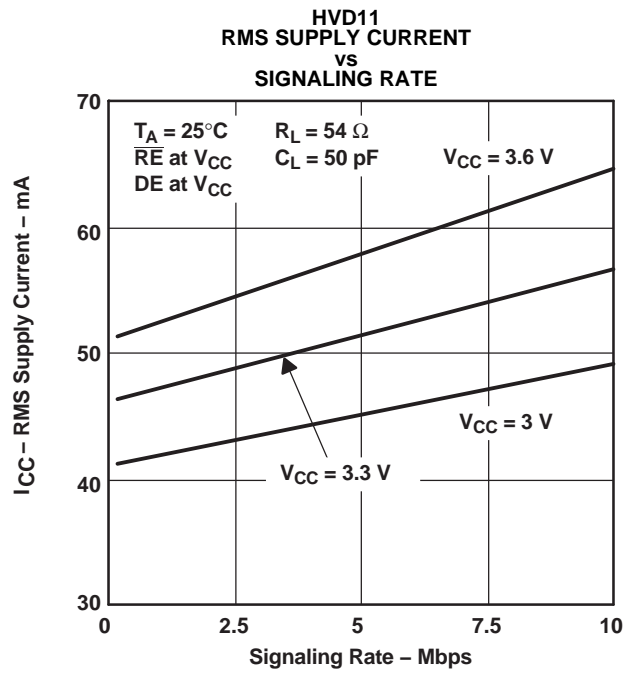
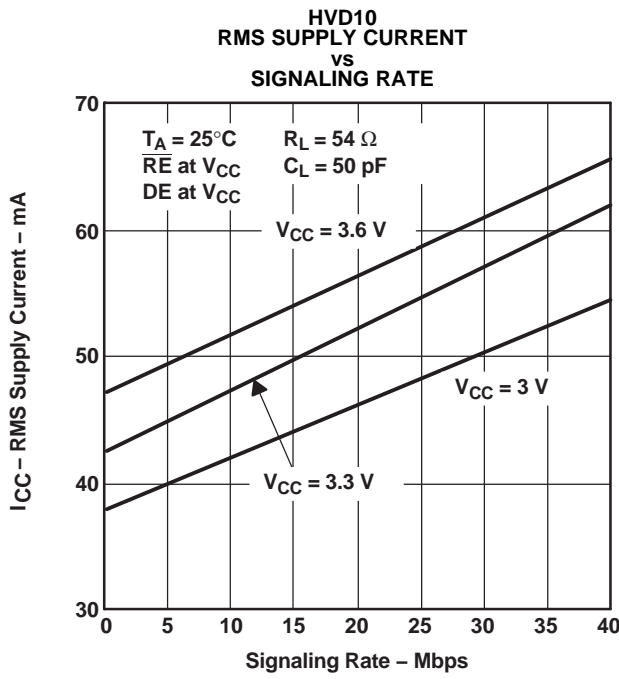
(1) H = high level; L = low level; Z = high impedance; X = irrelevant; ? = indeterminate

**EQUIVALENT INPUT AND OUTPUT SCHEMATIC DIAGRAMS**

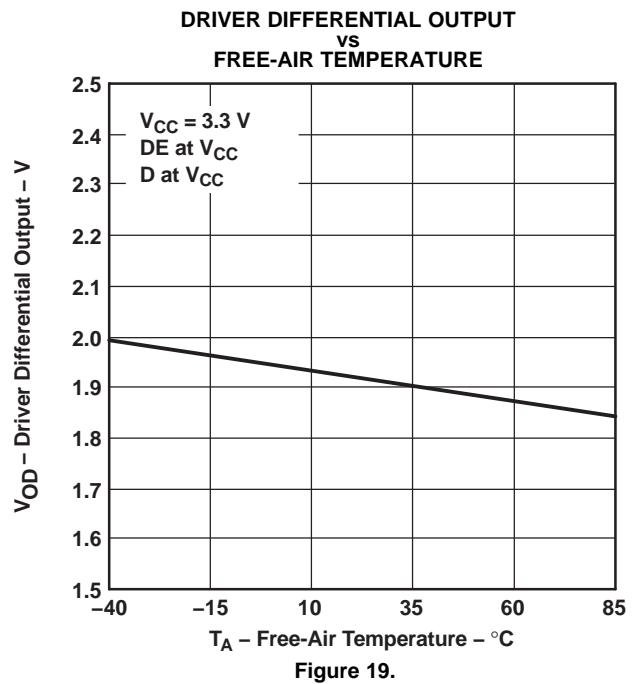
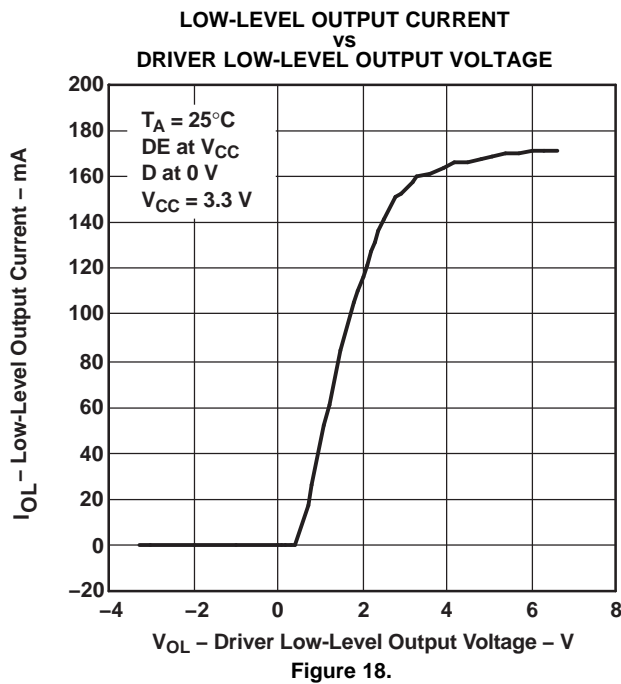
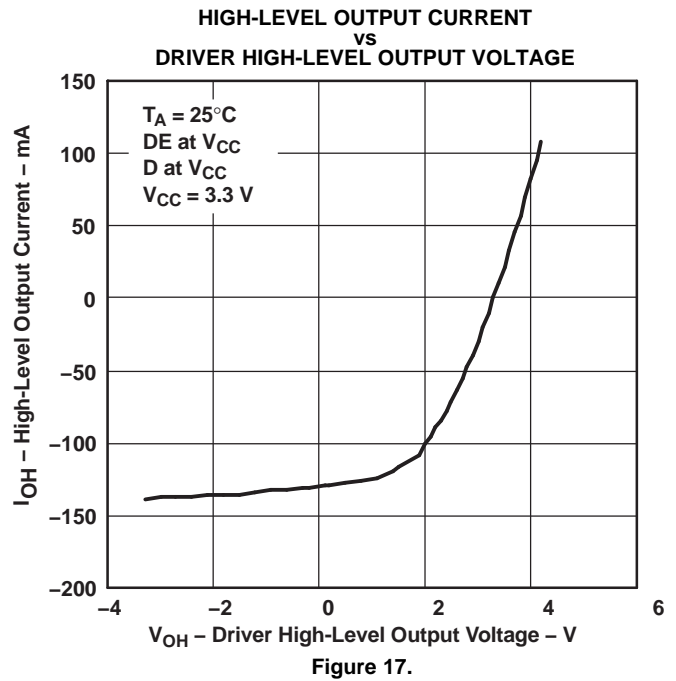
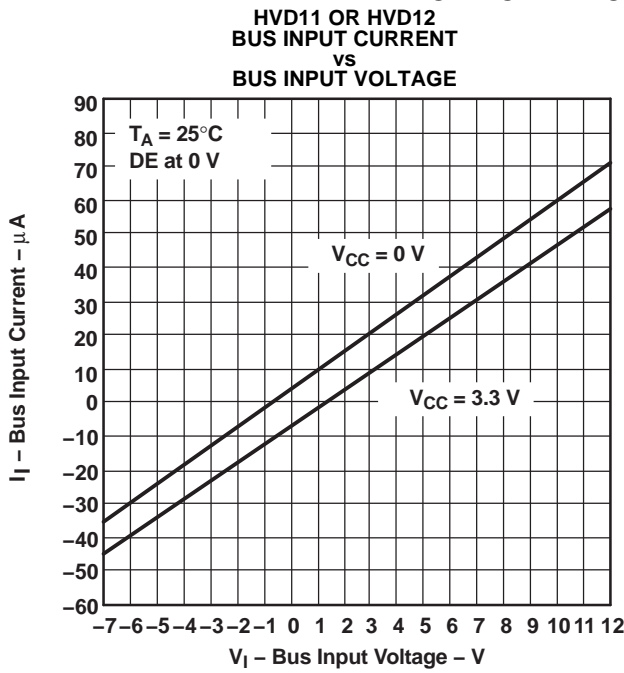


	R1/R2	R3
SN65HVD10	9 kΩ	45 kΩ
SN65HVD11	36 kΩ	180 kΩ
SN65HVD12	36 kΩ	180 kΩ

TYPICAL CHARACTERISTICS



TYPICAL CHARACTERISTICS (continued)



TYPICAL CHARACTERISTICS (continued)

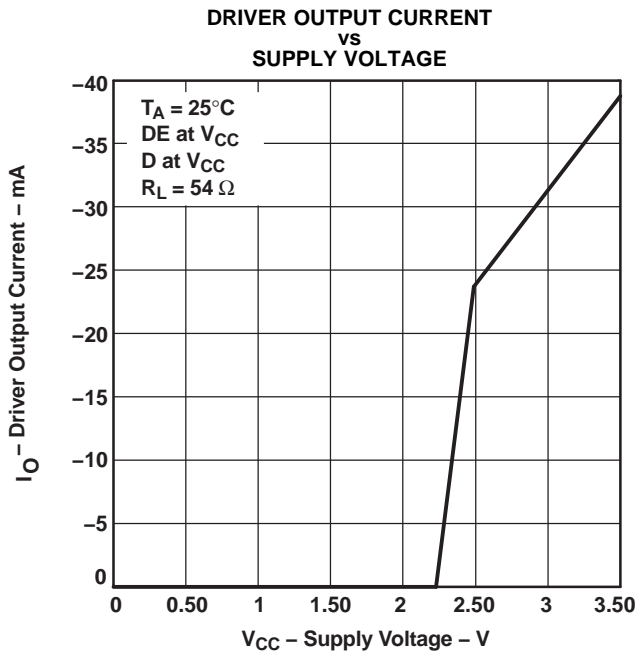


Figure 20.

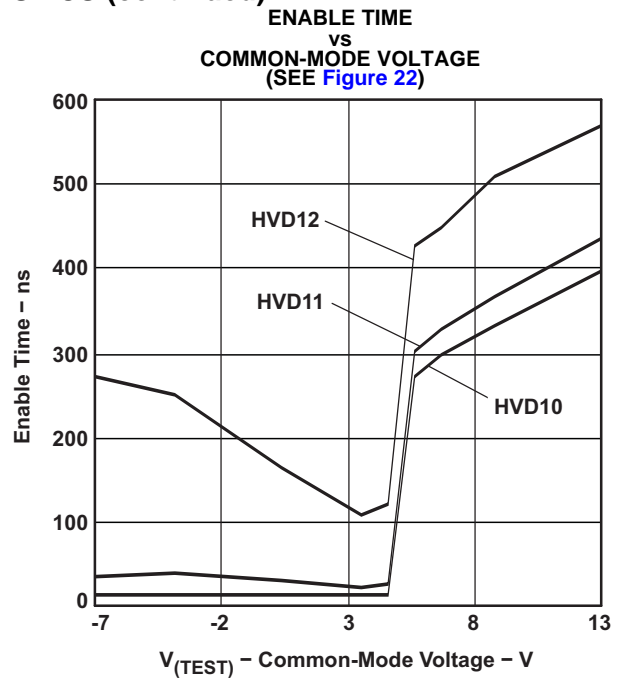


Figure 21.

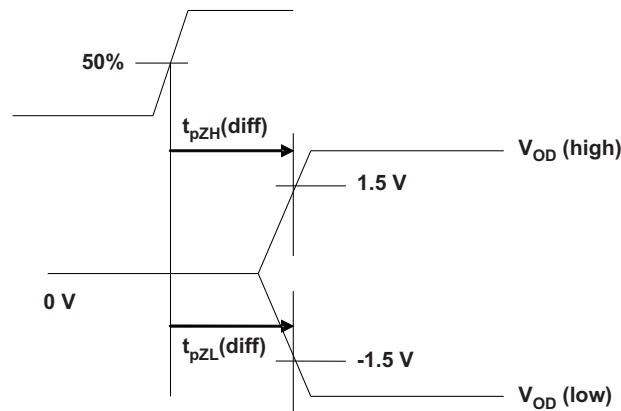
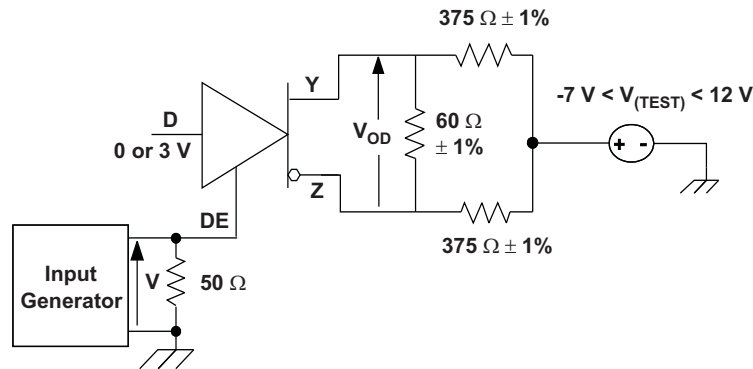
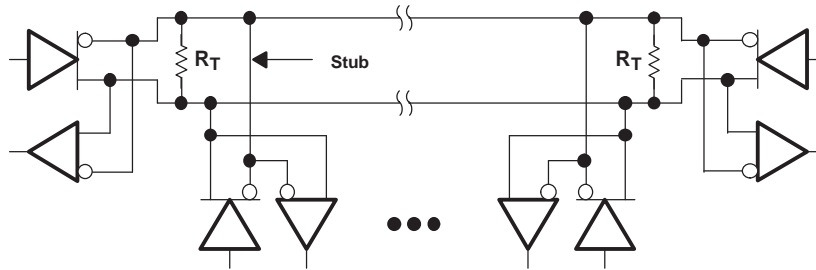


Figure 22. Driver Enable Time From DE to  $V_{OD}$

The time  $t_{pZL}(x)$  is the measure from DE to  $V_{OD}(x)$ .  $V_{OD}$  is valid when it is greater than 1.5 V.

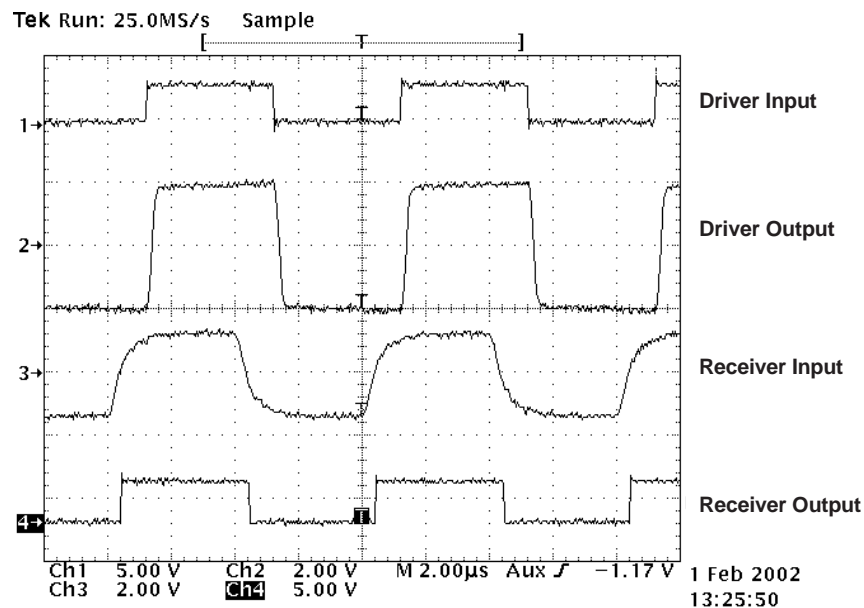
### APPLICATION INFORMATION



Device	Number of Devices on Bus
HVD10	64
HVD11	256
HVD12	256

NOTE: The line should be terminated at both ends with its characteristic impedance ( $R_T = Z_0$ ). Stub lengths off the main line should be kept as short as possible.

**Figure 23. Typical Application Circuit**



**Figure 24. HVD12 Input and Output Through 2000 Feet of Cable**

An example application for the HVD12 is illustrated in [Figure 23](#). Two HVD12 transceivers are used to communicate data through a 2000 foot (600 m) length of Commscope 5524 category 5e+ twisted pair cable. The bus is terminated at each end by a 100-Ω resistor, matching the cable characteristic impedance. [Figure 24](#) illustrates operation at a signaling rate of 250 kbps.

### LOW-POWER STANDBY MODE

When both the driver and receiver are disabled (DE low and RE high) the device is in standby mode. If the enable inputs are in this state for less than 60 ns, the device does not enter standby mode. This guards against inadvertently entering standby mode during driver/receiver enabling. Only when the enable inputs are held in this state for 300 ns or more, the device is assured to be in standby mode. In this low-power standby mode, most internal circuitry is powered down, and the supply current is typically less than 1 nA. When either the driver or the receiver is re-enabled, the internal circuitry becomes active.



## THERMAL CHARACTERISTICS OF IC PACKAGES

$\theta_{JA}$  (**Junction-to-Ambient Thermal Resistance**) is defined as the difference in junction temperature to ambient temperature divided by the operating power.

$\theta_{JA}$  is *not* a constant and is a strong function of:

- the PCB design (50% variation)
- altitude (20% variation)
- device power (5% variation)

$\theta_{JA}$  can be used to compare the thermal performance of packages if the specific test conditions are defined and used. Standardized testing includes specification of PCB construction, test chamber volume, sensor locations, and the thermal characteristics of holding fixtures.  $\theta_{JA}$  is often misused when it is used to calculate junction temperatures for other installations.

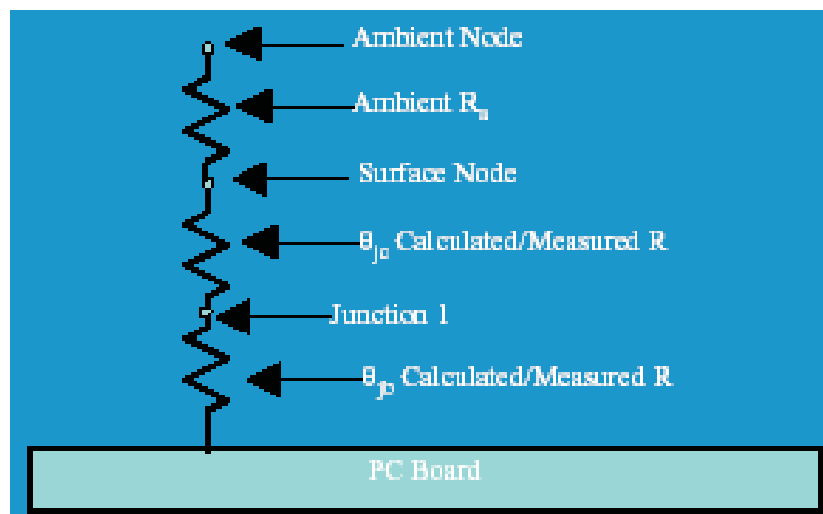
TI uses two test PCBs as defined by JEDEC specifications. The low-k board gives *average* in-use condition thermal performance, and it consists of a single copper trace layer 25 mm long and 2-oz thick. The high-k board gives *best case* in-use condition, and it consists of two 1-oz buried power planes with a single copper trace layer 25 mm long and 2-oz thick. A 4% to 50% difference in  $\theta_{JA}$  can be measured between these two test cards.

$\theta_{JC}$  (**Junction-to-Case Thermal Resistance**) is defined as difference in junction temperature to case divided by the operating power. It is measured by putting the mounted package up against a copper block cold plate to force heat to flow from die, through the mold compound into the copper block.

$\theta_{JC}$  is a useful thermal characteristic when a heatsink is applied to package. It is *not* a useful characteristic to predict junction temperature because it provides pessimistic numbers if the case temperature is measured in a nonstandard system and junction temperatures are backed out. It can be used with  $\theta_{JB}$  in 1-dimensional thermal simulation of a package system.

$\theta_{JB}$  (**Junction-to-Board Thermal Resistance**) is defined as the difference in the junction temperature and the PCB temperature at the center of the package (closest to the die) when the PCB is clamped in a cold-plate structure.  $\theta_{JB}$  is only defined for the high-k test card.

$\theta_{JB}$  provides an overall thermal resistance between the die and the PCB. It includes a bit of the PCB thermal resistance (especially for BGAs with thermal balls) and can be used for simple 1-dimensional network analysis of package system, see [Figure 25](#).



**Figure 25. Thermal Resistance**

## REVISION HISTORY

---

**Changes from Revision J (February 2009) to Revision K** **Page**

- Added new section 'LOW-POWER STANDBY MODE', in the Application Information section ..... [16](#)

---

**Changes from Revision K (September 2011) to Revision L** **Page**

- Added TYP = -0.65 V to  $V_{IT+}$  ..... [5](#)
- Added TYP = -0.1 V to  $V_{IT-}$  ..... [5](#)

**PACKAGING INFORMATION**

Orderable Device	Status (1)	Package Type	Package Drawing	Pins	Package Qty	Eco Plan (2)	Lead/Ball Finish	MSL Peak Temp (3)	Op Temp (°C)	Device Marking (4/5)	Samples
SN65HVD10D	ACTIVE	SOIC	D	8	75	Green (RoHS & no Sb/Br)	CU NIPDAU	Level-1-260C-UNLIM	-40 to 85	VP10	<a href="#">Samples</a>
SN65HVD10DG4	ACTIVE	SOIC	D	8	75	Green (RoHS & no Sb/Br)	CU NIPDAU	Level-1-260C-UNLIM	-40 to 85	VP10	<a href="#">Samples</a>
SN65HVD10DR	ACTIVE	SOIC	D	8	2500	Green (RoHS & no Sb/Br)	CU NIPDAU	Level-1-260C-UNLIM	-40 to 85	VP10	<a href="#">Samples</a>
SN65HVD10DRG4	ACTIVE	SOIC	D	8	2500	Green (RoHS & no Sb/Br)	CU NIPDAU	Level-1-260C-UNLIM	-40 to 85	VP10	<a href="#">Samples</a>
SN65HVD10P	ACTIVE	PDIP	P	8	50	Pb-Free (RoHS)	CU NIPDAU	N / A for Pkg Type	-40 to 85	65HVD10	<a href="#">Samples</a>
SN65HVD10PE4	ACTIVE	PDIP	P	8	50	Pb-Free (RoHS)	CU NIPDAU	N / A for Pkg Type	-40 to 85	65HVD10	<a href="#">Samples</a>
SN65HVD10QD	ACTIVE	SOIC	D	8	75	Green (RoHS & no Sb/Br)	CU NIPDAU	Level-1-260C-UNLIM	-40 to 125	VP10Q	<a href="#">Samples</a>
SN65HVD10QDG4	ACTIVE	SOIC	D	8	75	Green (RoHS & no Sb/Br)	CU NIPDAU	Level-1-260C-UNLIM	-40 to 125	VP10Q	<a href="#">Samples</a>
SN65HVD10QDR	ACTIVE	SOIC	D	8	2500	Green (RoHS & no Sb/Br)	CU NIPDAU	Level-1-260C-UNLIM	-40 to 125	VP10Q	<a href="#">Samples</a>
SN65HVD10QDRG4	ACTIVE	SOIC	D	8	2500	Green (RoHS & no Sb/Br)	CU NIPDAU	Level-1-260C-UNLIM	-40 to 125	VP10Q	<a href="#">Samples</a>
SN65HVD11D	ACTIVE	SOIC	D	8	75	Green (RoHS & no Sb/Br)	CU NIPDAU	Level-1-260C-UNLIM	-40 to 85	VP11	<a href="#">Samples</a>
SN65HVD11DG4	ACTIVE	SOIC	D	8	75	Green (RoHS & no Sb/Br)	CU NIPDAU	Level-1-260C-UNLIM	-40 to 85	VP11	<a href="#">Samples</a>
SN65HVD11DR	ACTIVE	SOIC	D	8	2500	Green (RoHS & no Sb/Br)	CU NIPDAU	Level-1-260C-UNLIM	-40 to 85	VP11	<a href="#">Samples</a>
SN65HVD11DRG4	ACTIVE	SOIC	D	8	2500	Green (RoHS & no Sb/Br)	CU NIPDAU	Level-1-260C-UNLIM	-40 to 85	VP11	<a href="#">Samples</a>
SN65HVD11P	ACTIVE	PDIP	P	8	50	Pb-Free (RoHS)	CU NIPDAU	N / A for Pkg Type	-40 to 85	65HVD11	<a href="#">Samples</a>
SN65HVD11PE4	ACTIVE	PDIP	P	8	50	Pb-Free (RoHS)	CU NIPDAU	N / A for Pkg Type	-40 to 85	65HVD11	<a href="#">Samples</a>
SN65HVD11QD	ACTIVE	SOIC	D	8	75	Green (RoHS & no Sb/Br)	CU NIPDAU	Level-1-260C-UNLIM	-40 to 125	VP11Q	<a href="#">Samples</a>

Orderable Device	Status (1)	Package Type	Package Drawing	Pins	Package Qty	Eco Plan (2)	Lead/Ball Finish	MSL Peak Temp (3)	Op Temp (°C)	Device Marking (4/5)	Samples
SN65HVD11QDG4	ACTIVE	SOIC	D	8	75	Green (RoHS & no Sb/Br)	CU NIPDAU	Level-1-260C-UNLIM	-40 to 125	VP11Q	<a href="#">Samples</a>
SN65HVD11QDR	ACTIVE	SOIC	D	8	2500	Green (RoHS & no Sb/Br)	CU NIPDAU	Level-1-260C-UNLIM	-40 to 125	VP11Q	<a href="#">Samples</a>
SN65HVD11QDRG4	ACTIVE	SOIC	D	8		TBD	Call TI	Call TI	-40 to 125		<a href="#">Samples</a>
SN65HVD12D	ACTIVE	SOIC	D	8	75	Green (RoHS & no Sb/Br)	CU NIPDAU	Level-1-260C-UNLIM	-40 to 85	VP12	<a href="#">Samples</a>
SN65HVD12DG4	ACTIVE	SOIC	D	8	75	Green (RoHS & no Sb/Br)	CU NIPDAU	Level-1-260C-UNLIM	-40 to 85	VP12	<a href="#">Samples</a>
SN65HVD12DR	ACTIVE	SOIC	D	8	2500	Green (RoHS & no Sb/Br)	CU NIPDAU	Level-1-260C-UNLIM	-40 to 85	VP12	<a href="#">Samples</a>
SN65HVD12DRG4	ACTIVE	SOIC	D	8	2500	Green (RoHS & no Sb/Br)	CU NIPDAU	Level-1-260C-UNLIM	-40 to 85	VP12	<a href="#">Samples</a>
SN65HVD12P	ACTIVE	PDIP	P	8	50	Pb-Free (RoHS)	CU NIPDAU	N / A for Pkg Type	-40 to 85	65HVD12	<a href="#">Samples</a>
SN65HVD12PE4	ACTIVE	PDIP	P	8	50	Pb-Free (RoHS)	CU NIPDAU	N / A for Pkg Type	-40 to 85	65HVD12	<a href="#">Samples</a>
SN75HVD10D	ACTIVE	SOIC	D	8	75	Green (RoHS & no Sb/Br)	CU NIPDAU	Level-1-260C-UNLIM	0 to 70	VN10	<a href="#">Samples</a>
SN75HVD10DG4	ACTIVE	SOIC	D	8	75	Green (RoHS & no Sb/Br)	CU NIPDAU	Level-1-260C-UNLIM	0 to 70	VN10	<a href="#">Samples</a>
SN75HVD10DR	ACTIVE	SOIC	D	8	2500	Green (RoHS & no Sb/Br)	CU NIPDAU	Level-1-260C-UNLIM	0 to 70	VN10	<a href="#">Samples</a>
SN75HVD10DRG4	ACTIVE	SOIC	D	8	2500	Green (RoHS & no Sb/Br)	CU NIPDAU	Level-1-260C-UNLIM	0 to 70	VN10	<a href="#">Samples</a>
SN75HVD10P	ACTIVE	PDIP	P	8	50	Pb-Free (RoHS)	CU NIPDAU	N / A for Pkg Type	0 to 70	75HVD10	<a href="#">Samples</a>
SN75HVD10PE4	ACTIVE	PDIP	P	8	50	Pb-Free (RoHS)	CU NIPDAU	N / A for Pkg Type	0 to 70	75HVD10	<a href="#">Samples</a>
SN75HVD11D	ACTIVE	SOIC	D	8	75	Green (RoHS & no Sb/Br)	CU NIPDAU	Level-1-260C-UNLIM	0 to 70	VN11	<a href="#">Samples</a>
SN75HVD11DG4	ACTIVE	SOIC	D	8	75	Green (RoHS & no Sb/Br)	CU NIPDAU	Level-1-260C-UNLIM	0 to 70	VN11	<a href="#">Samples</a>
SN75HVD11DR	ACTIVE	SOIC	D	8	2500	Green (RoHS & no Sb/Br)	CU NIPDAU	Level-1-260C-UNLIM	0 to 70	VN11	<a href="#">Samples</a>

Orderable Device	Status (1)	Package Type	Package Drawing	Pins	Package Qty	Eco Plan (2)	Lead/Ball Finish	MSL Peak Temp (3)	Op Temp (°C)	Device Marking (4/5)	Samples
SN75HVD11DRG4	ACTIVE	SOIC	D	8	2500	Green (RoHS & no Sb/Br)	CU NIPDAU	Level-1-260C-UNLIM	0 to 70	VN11	<a href="#">Samples</a>
SN75HVD12D	ACTIVE	SOIC	D	8	75	Green (RoHS & no Sb/Br)	CU NIPDAU	Level-1-260C-UNLIM	0 to 70	VN12	<a href="#">Samples</a>
SN75HVD12DG4	ACTIVE	SOIC	D	8	75	Green (RoHS & no Sb/Br)	CU NIPDAU	Level-1-260C-UNLIM	0 to 70	VN12	<a href="#">Samples</a>
SN75HVD12DR	ACTIVE	SOIC	D	8	2500	Green (RoHS & no Sb/Br)	CU NIPDAU	Level-1-260C-UNLIM	0 to 70	VN12	<a href="#">Samples</a>
SN75HVD12DRG4	ACTIVE	SOIC	D	8	2500	Green (RoHS & no Sb/Br)	CU NIPDAU	Level-1-260C-UNLIM	0 to 70	VN12	<a href="#">Samples</a>
SN75HVD12P	ACTIVE	PDIP	P	8	50	Pb-Free (RoHS)	CU NIPDAU	N / A for Pkg Type	0 to 70	75HVD12	<a href="#">Samples</a>
SN75HVD12PE4	ACTIVE	PDIP	P	8	50	Pb-Free (RoHS)	CU NIPDAU	N / A for Pkg Type	0 to 70	75HVD12	<a href="#">Samples</a>

(1) The marketing status values are defined as follows:

**ACTIVE:** Product device recommended for new designs.

**LIFEBUY:** TI has announced that the device will be discontinued, and a lifetime-buy period is in effect.

**NRND:** Not recommended for new designs. Device is in production to support existing customers, but TI does not recommend using this part in a new design.

**PREVIEW:** Device has been announced but is not in production. Samples may or may not be available.

**OBSELETE:** TI has discontinued the production of the device.

(2) Eco Plan - The planned eco-friendly classification: Pb-Free (RoHS), Pb-Free (RoHS Exempt), or Green (RoHS & no Sb/Br) - please check <http://www.ti.com/productcontent> for the latest availability information and additional product content details.

**TBD:** The Pb-Free/Green conversion plan has not been defined.

**Pb-Free (RoHS):** TI's terms "Lead-Free" or "Pb-Free" mean semiconductor products that are compatible with the current RoHS requirements for all 6 substances, including the requirement that lead not exceed 0.1% by weight in homogeneous materials. Where designed to be soldered at high temperatures, TI Pb-Free products are suitable for use in specified lead-free processes.

**Pb-Free (RoHS Exempt):** This component has a RoHS exemption for either 1) lead-based flip-chip solder bumps used between the die and package, or 2) lead-based die adhesive used between the die and leadframe. The component is otherwise considered Pb-Free (RoHS compatible) as defined above.

**Green (RoHS & no Sb/Br):** TI defines "Green" to mean Pb-Free (RoHS compatible), and free of Bromine (Br) and Antimony (Sb) based flame retardants (Br or Sb do not exceed 0.1% by weight in homogeneous material)

(3) MSL, Peak Temp. -- The Moisture Sensitivity Level rating according to the JEDEC industry standard classifications, and peak solder temperature.

(4) There may be additional marking, which relates to the logo, the lot trace code information, or the environmental category on the device.

(5) Multiple Device Markings will be inside parentheses. Only one Device Marking contained in parentheses and separated by a "-" will appear on a device. If a line is indented then it is a continuation of the previous line and the two combined represent the entire Device Marking for that device.

**Important Information and Disclaimer:** The information provided on this page represents TI's knowledge and belief as of the date that it is provided. TI bases its knowledge and belief on information provided by third parties, and makes no representation or warranty as to the accuracy of such information. Efforts are underway to better integrate information from third parties. TI has taken and continues to take reasonable steps to provide representative and accurate information but may not have conducted destructive testing or chemical analysis on incoming materials and chemicals. TI and TI suppliers consider certain information to be proprietary, and thus CAS numbers and other limited information may not be available for release.

In no event shall TI's liability arising out of such information exceed the total purchase price of the TI part(s) at issue in this document sold by TI to Customer on an annual basis.

**OTHER QUALIFIED VERSIONS OF SN65HVD10, SN65HVD11, SN65HVD12 :**

- Enhanced Product: [SN65HVD10-EP](#), [SN65HVD12-EP](#)

NOTE: Qualified Version Definitions:

- Enhanced Product - Supports Defense, Aerospace and Medical Applications

## TAPE AND REEL INFORMATION



### QUADRANT ASSIGNMENTS FOR PIN 1 ORIENTATION IN TAPE



\*All dimensions are nominal

Device	Package Type	Package Drawing	Pins	SPQ	Reel Diameter (mm)	Reel Width W1 (mm)	A0 (mm)	B0 (mm)	K0 (mm)	P1 (mm)	W (mm)	Pin1 Quadrant
SN65HVD10DR	SOIC	D	8	2500	330.0	12.4	6.4	5.2	2.1	8.0	12.0	Q1
SN65HVD10QDR	SOIC	D	8	2500	330.0	12.4	6.4	5.2	2.1	8.0	12.0	Q1
SN65HVD11DR	SOIC	D	8	2500	330.0	12.4	6.4	5.2	2.1	8.0	12.0	Q1
SN65HVD11QDR	SOIC	D	8	2500	330.0	12.4	6.4	5.2	2.1	8.0	12.0	Q1
SN65HVD12DR	SOIC	D	8	2500	330.0	12.4	6.4	5.2	2.1	8.0	12.0	Q1
SN75HVD10DR	SOIC	D	8	2500	330.0	12.4	6.4	5.2	2.1	8.0	12.0	Q1
SN75HVD11DR	SOIC	D	8	2500	330.0	12.4	6.4	5.2	2.1	8.0	12.0	Q1
SN75HVD12DR	SOIC	D	8	2500	330.0	12.4	6.4	5.2	2.1	8.0	12.0	Q1

**TAPE AND REEL BOX DIMENSIONS**


\*All dimensions are nominal

Device	Package Type	Package Drawing	Pins	SPQ	Length (mm)	Width (mm)	Height (mm)
SN65HVD10DR	SOIC	D	8	2500	340.5	338.1	20.6
SN65HVD10QDR	SOIC	D	8	2500	340.5	338.1	20.6
SN65HVD11DR	SOIC	D	8	2500	340.5	338.1	20.6
SN65HVD11QDR	SOIC	D	8	2500	340.5	338.1	20.6
SN65HVD12DR	SOIC	D	8	2500	340.5	338.1	20.6
SN75HVD10DR	SOIC	D	8	2500	340.5	338.1	20.6
SN75HVD11DR	SOIC	D	8	2500	340.5	338.1	20.6
SN75HVD12DR	SOIC	D	8	2500	340.5	338.1	20.6



P (R-PDIP-T8)

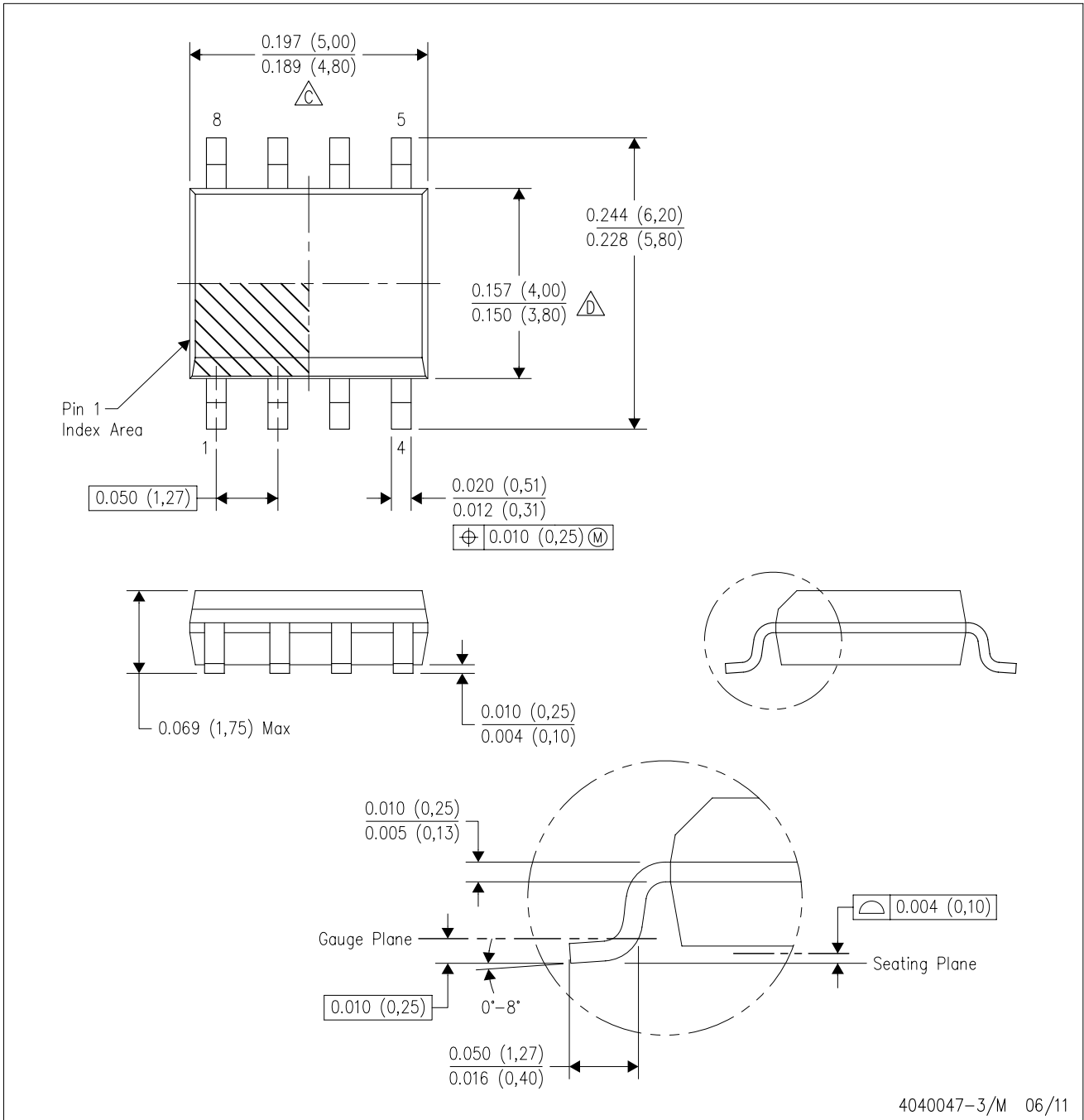
PLASTIC DUAL-IN-LINE PACKAGE



- NOTES:
- A. All linear dimensions are in inches (millimeters).
  - B. This drawing is subject to change without notice.
  - C. Falls within JEDEC MS-001 variation BA.

D (R-PDSO-G8)

PLASTIC SMALL OUTLINE



- NOTES: A. All linear dimensions are in inches (millimeters).  
 B. This drawing is subject to change without notice.  
 C. Body length does not include mold flash, protrusions, or gate burrs. Mold flash, protrusions, or gate burrs shall not exceed 0.006 (0,15) each side.  
 D. Body width does not include interlead flash. Interlead flash shall not exceed 0.017 (0,43) each side.  
 E. Reference JEDEC MS-012 variation AA.

D (R-PDSO-G8)

PLASTIC SMALL OUTLINE



4211283-2/E 08/12

- NOTES:
- A. All linear dimensions are in millimeters.
  - B. This drawing is subject to change without notice.
  - C. Publication IPC-7351 is recommended for alternate designs.
  - D. Laser cutting apertures with trapezoidal walls and also rounding corners will offer better paste release. Customers should contact their board assembly site for stencil design recommendations. Refer to IPC-7525 for other stencil recommendations.
  - E. Customers should contact their board fabrication site for solder mask tolerances between and around signal pads.

## IMPORTANT NOTICE

Texas Instruments Incorporated and its subsidiaries (TI) reserve the right to make corrections, enhancements, improvements and other changes to its semiconductor products and services per JESD46, latest issue, and to discontinue any product or service per JESD48, latest issue. Buyers should obtain the latest relevant information before placing orders and should verify that such information is current and complete. All semiconductor products (also referred to herein as "components") are sold subject to TI's terms and conditions of sale supplied at the time of order acknowledgment.

TI warrants performance of its components to the specifications applicable at the time of sale, in accordance with the warranty in TI's terms and conditions of sale of semiconductor products. Testing and other quality control techniques are used to the extent TI deems necessary to support this warranty. Except where mandated by applicable law, testing of all parameters of each component is not necessarily performed.

TI assumes no liability for applications assistance or the design of Buyers' products. Buyers are responsible for their products and applications using TI components. To minimize the risks associated with Buyers' products and applications, Buyers should provide adequate design and operating safeguards.

TI does not warrant or represent that any license, either express or implied, is granted under any patent right, copyright, mask work right, or other intellectual property right relating to any combination, machine, or process in which TI components or services are used. Information published by TI regarding third-party products or services does not constitute a license to use such products or services or a warranty or endorsement thereof. Use of such information may require a license from a third party under the patents or other intellectual property of the third party, or a license from TI under the patents or other intellectual property of TI.

Reproduction of significant portions of TI information in TI data books or data sheets is permissible only if reproduction is without alteration and is accompanied by all associated warranties, conditions, limitations, and notices. TI is not responsible or liable for such altered documentation. Information of third parties may be subject to additional restrictions.

Resale of TI components or services with statements different from or beyond the parameters stated by TI for that component or service voids all express and any implied warranties for the associated TI component or service and is an unfair and deceptive business practice. TI is not responsible or liable for any such statements.

Buyer acknowledges and agrees that it is solely responsible for compliance with all legal, regulatory and safety-related requirements concerning its products, and any use of TI components in its applications, notwithstanding any applications-related information or support that may be provided by TI. Buyer represents and agrees that it has all the necessary expertise to create and implement safeguards which anticipate dangerous consequences of failures, monitor failures and their consequences, lessen the likelihood of failures that might cause harm and take appropriate remedial actions. Buyer will fully indemnify TI and its representatives against any damages arising out of the use of any TI components in safety-critical applications.

In some cases, TI components may be promoted specifically to facilitate safety-related applications. With such components, TI's goal is to help enable customers to design and create their own end-product solutions that meet applicable functional safety standards and requirements. Nonetheless, such components are subject to these terms.

No TI components are authorized for use in FDA Class III (or similar life-critical medical equipment) unless authorized officers of the parties have executed a special agreement specifically governing such use.

Only those TI components which TI has specifically designated as military grade or "enhanced plastic" are designed and intended for use in military/aerospace applications or environments. Buyer acknowledges and agrees that any military or aerospace use of TI components which have **not** been so designated is solely at the Buyer's risk, and that Buyer is solely responsible for compliance with all legal and regulatory requirements in connection with such use.

TI has specifically designated certain components as meeting ISO/TS16949 requirements, mainly for automotive use. In any case of use of non-designated products, TI will not be responsible for any failure to meet ISO/TS16949.

### Products

Audio	<a href="http://www.ti.com/audio">www.ti.com/audio</a>
Amplifiers	<a href="http://amplifier.ti.com">amplifier.ti.com</a>
Data Converters	<a href="http://dataconverter.ti.com">dataconverter.ti.com</a>
DLP® Products	<a href="http://www.dlp.com">www.dlp.com</a>
DSP	<a href="http://dsp.ti.com">dsp.ti.com</a>
Clocks and Timers	<a href="http://www.ti.com/clocks">www.ti.com/clocks</a>
Interface	<a href="http://interface.ti.com">interface.ti.com</a>
Logic	<a href="http://logic.ti.com">logic.ti.com</a>
Power Mgmt	<a href="http://power.ti.com">power.ti.com</a>
Microcontrollers	<a href="http://microcontroller.ti.com">microcontroller.ti.com</a>
RFID	<a href="http://www.ti-rfid.com">www.ti-rfid.com</a>
OMAP Applications Processors	<a href="http://www.ti.com/omap">www.ti.com/omap</a>
Wireless Connectivity	<a href="http://www.ti.com/wirelessconnectivity">www.ti.com/wirelessconnectivity</a>

### Applications

Automotive and Transportation	<a href="http://www.ti.com/automotive">www.ti.com/automotive</a>
Communications and Telecom	<a href="http://www.ti.com/communications">www.ti.com/communications</a>
Computers and Peripherals	<a href="http://www.ti.com/computers">www.ti.com/computers</a>
Consumer Electronics	<a href="http://www.ti.com/consumer-apps">www.ti.com/consumer-apps</a>
Energy and Lighting	<a href="http://www.ti.com/energy">www.ti.com/energy</a>
Industrial	<a href="http://www.ti.com/industrial">www.ti.com/industrial</a>
Medical	<a href="http://www.ti.com/medical">www.ti.com/medical</a>
Security	<a href="http://www.ti.com/security">www.ti.com/security</a>
Space, Avionics and Defense	<a href="http://www.ti.com/space-avionics-defense">www.ti.com/space-avionics-defense</a>
Video and Imaging	<a href="http://www.ti.com/video">www.ti.com/video</a>

### TI E2E Community

[e2e.ti.com](http://e2e.ti.com)