

ZigBee 802.15.4 transceiver and ZNet networking

Data Brief

Features

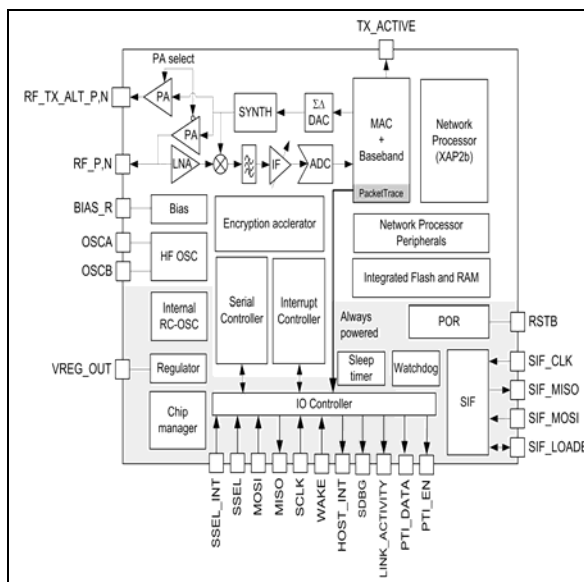
- Complete network processor plus radio containing a complete Zigbee implementation up to the network layer
- Simple SPI-slave or UART interface to an application microcontroller, providing the full serialized ZNet interface
- Flexible Antenna Interface allows easy antenna connection with or without external PA
- Excellent noise immunity to 802.11 background; exceeds 802.15.4 adjacent/alternate channel rejection specification for improved co-existence
- Digital RSSI / 802.15.4 Link Quality Indication
- Hardware supported network level debugging
- Hardware Encryption Engine (AES 128) with true Random Number Generator
- Integrated sleep oscillator allows a single crystal design, reducing cost and power consumption
- Fully compatible with Ember's EM260

Description

The SN260 is a network processor chip that has been designed for low power, low cost, mesh networking industry standards-based protocol — ZigBee.

Order Codes

Part Number	Operating Temperature	Package	Packing	Marking
SN260Q	-40 to +85°C	QFN40	Tray	SN260
SN260QT	-40 to +85°C	QFN40	Tape & Reel	SN260



The SN260 is designed to provide customers the flexibility of choosing their own microcontroller to run their application, while interfacing to the SN260 to provide all the ZigBee functionality. This flexibility allows customers to ZigBee-enable existing products very rapidly using toolchains that they are familiar with.

The SN260 integrates an industry-proven network processor which is preloaded with ZNet, the ZigBee-compliant software stack codeveloped by Ember and STMicroelectronics.

Please Read Carefully:

Information in this document is provided solely in connection with ST products. STMicroelectronics NV and its subsidiaries ("ST") reserve the right to make changes, corrections, modifications or improvements, to this document, and the products and services described herein at any time, without notice.

All ST products are sold pursuant to ST's terms and conditions of sale.

Purchasers are solely responsible for the choice, selection and use of the ST products and services described herein, and ST assumes no liability whatsoever relating to the choice, selection or use of the ST products and services described herein.

No license, express or implied, by estoppel or otherwise, to any intellectual property rights is granted under this document. If any part of this document refers to any third party products or services it shall not be deemed a license grant by ST for the use of such third party products or services, or any intellectual property contained therein or considered as a warranty covering the use in any manner whatsoever of such third party products or services or any intellectual property contained therein.

UNLESS OTHERWISE SET FORTH IN ST'S TERMS AND CONDITIONS OF SALE ST DISCLAIMS ANY EXPRESS OR IMPLIED WARRANTY WITH RESPECT TO THE USE AND/OR SALE OF ST PRODUCTS INCLUDING WITHOUT LIMITATION IMPLIED WARRANTIES OF MERCHANTABILITY, FITNESS FOR A PARTICULAR PURPOSE (AND THEIR EQUIVALENTS UNDER THE LAWS OF ANY JURISDICTION), OR INFRINGEMENT OF ANY PATENT, COPYRIGHT OR OTHER INTELLECTUAL PROPERTY RIGHT.

UNLESS EXPRESSLY APPROVED IN WRITING BY AN AUTHORIZED REPRESENTATIVE OF ST, ST PRODUCTS ARE NOT DESIGNED, AUTHORIZED OR WARRANTED FOR USE IN MILITARY, AIR CRAFT, SPACE, LIFE SAVING, OR LIFE SUSTAINING APPLICATIONS, NOR IN PRODUCTS OR SYSTEMS, WHERE FAILURE OR MALFUNCTION MAY RESULT IN PERSONAL INJURY, DEATH, OR SEVERE PROPERTY OR ENVIRONMENTAL DAMAGE.

Resale of ST products with provisions different from the statements and/or technical features set forth in this document shall immediately void any warranty granted by ST for the ST product or service described herein and shall not create or extend in any manner whatsoever, any liability of ST.

ST and the ST logo are trademarks or registered trademarks of ST in various countries.

Information in this document supersedes and replaces all information previously supplied.

The ST logo is a registered trademark of STMicroelectronics. All other names are the property of their respective owners.

© 2006 STMicroelectronics - All rights reserved

STMicroelectronics group of companies

Australia - Belgium - Brazil - Canada - China - Czech Republic - Finland - France - Germany - Hong Kong - India - Israel - Italy - Japan - Malaysia - Malta - Morocco - Singapore - Spain - Sweden - Switzerland - United Kingdom - United States of America

www.st.com