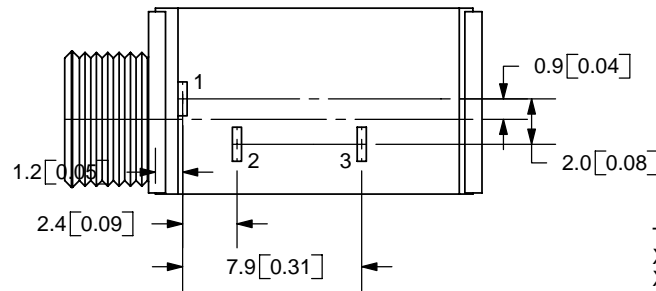
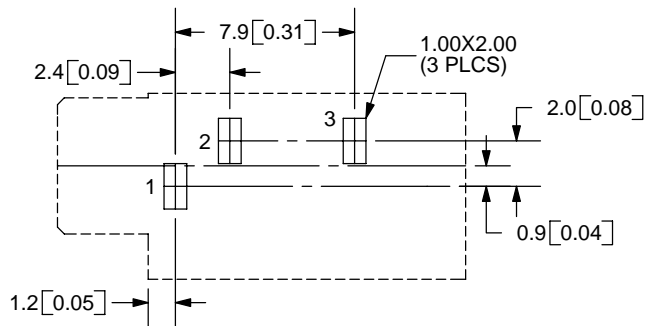
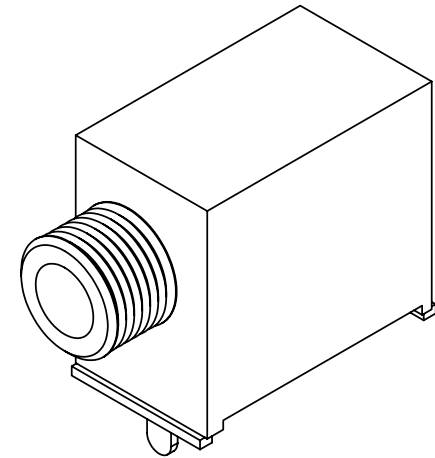
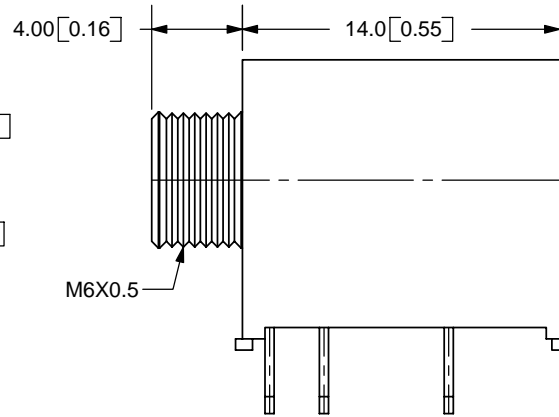
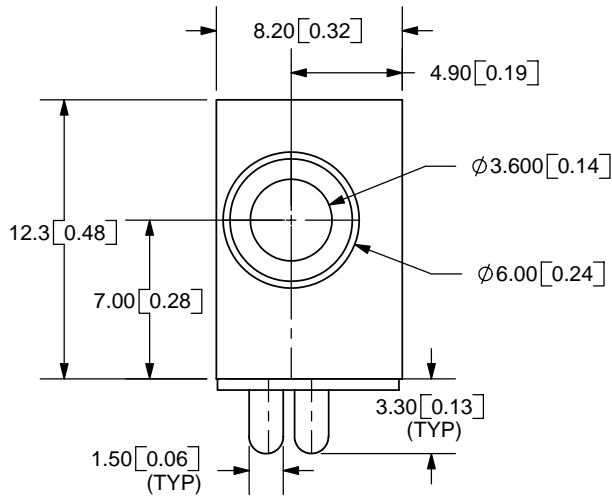


|      |             |           |
|------|-------------|-----------|
| REV. | DESCRIPTION | DATE      |
| A    | NEW DRAWING | 12/1/2005 |



TOLERANCE:  
 X.X ±0.2mm  
 X.XX ±0.1mm  
 X.XXX ±0.05mm



PCB LAYOUT  
TOP VIEW

|           |          |
|-----------|----------|
| MODEL NO. | SJ1-3533 |
| DIA.      | THREADED |
|           | M6X0.5   |
| SCHEMATIC |          |

SPECIFICATIONS:  
 RATING: 12V DC @ 1A  
 CONTACT RESISTANCE: 30m OHMS MAX  
 INSULATION RESISTANCE: 50M OHMS MIN: 500V DC  
 VOLTAGE WITHSTAND: 500V AC R.M.S. FOR 1 MINUTE  
 LIFE: 5,000 CYCLES

|            | MATERIAL        | PLATING |
|------------|-----------------|---------|
| TERMINAL 1 | Brass           | Tin     |
| TERMINAL 2 | Brass           | Tin     |
| TERMINAL 3 | Brass           | Tin     |
| SPRING     | Stainless Steel |         |
| BUSHING    | Brass           | Nickel  |
| HOUSING    | PBT             |         |



9615 SW Allen Blvd., Ste. 103  
 Beaverton, OR 97005  
 Phone: 503-643-4899  
 800-275-4899  
 Fax: 503-372-1266  
 Website: www.cui.com

|           |                               |              |             |
|-----------|-------------------------------|--------------|-------------|
| TITLE:    | 3.5mm RIGHT ANGLE STEREO JACK | REV:         | A           |
| PART NO.  | SJ1-3533                      | UNITS:       | MM [INCHES] |
| DRAWN BY: | ZRJ                           | APPROVED BY: |             |
|           |                               | SCALE:       | 3:1         |

PC FILE NAME:  
SJ1-3533

COPYRIGHT 2006 BY CUI INC.