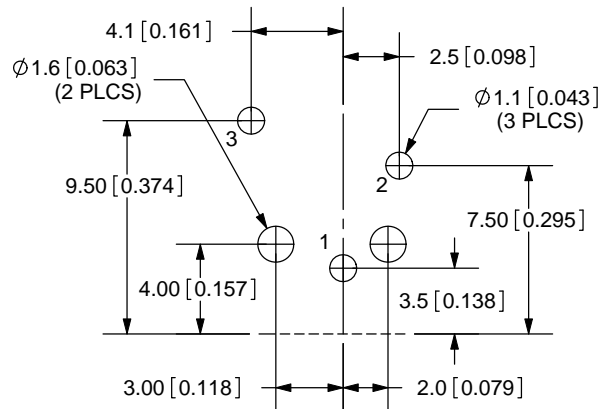
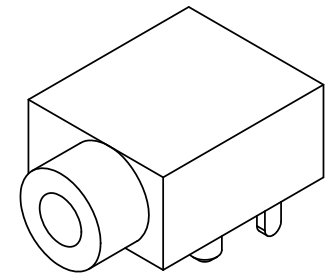
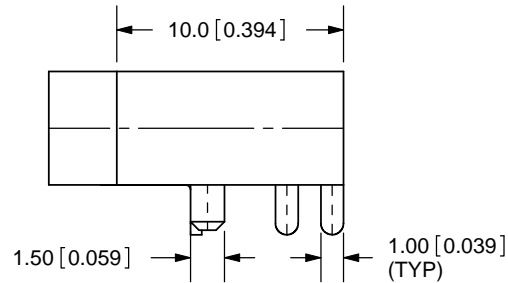
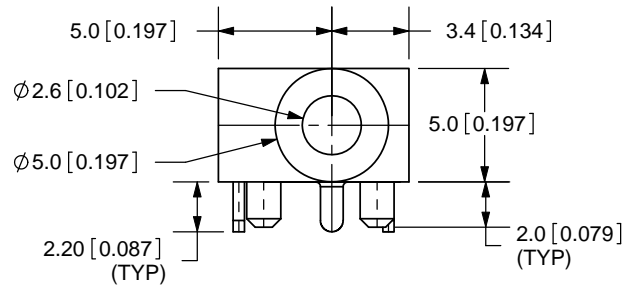
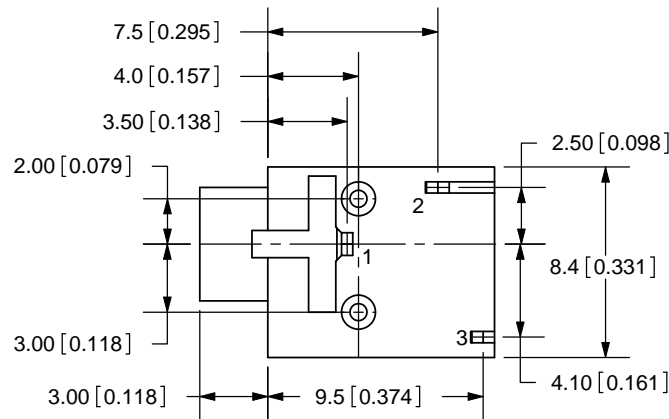


| REV. | DESCRIPTION | DATE |
|------|-------------------------|------------|
| A | NEW DRAWING | 11/30/2005 |
| B | added missing dimension | 9/28/2009 |



PCB LAYOUT
TOP VIEW



TOLERANCE:
X. ±0.5mm
X.X ±0.3mm
X.XX ±0.15mm



| | |
|-----------|----------|
| MODEL NO. | SJ-2509N |
| SCHEMATIC | |

SPECIFICATIONS:
 RATING: 12V DC @ 1A
 CONTACT RESISTANCE: 30m OHMS MAX
 INSULATION RESISTANCE: 100M OHMS MIN: 500V DC
 VOLTAGE WITHSTAND: 500V AC R.M.S. FOR 1 MINUTE
 LIFE: 5,000 CYCLES
 OPERATING TEMP: -20° ~ +60°C



CUI INC

20050 SW 112th Ave.
 Tualatin, OR 97062
 Phone: 503-643-4899
 800-275-4899
 Fax: 503-372-1266
 Website: www.cui.com

| TERMINAL | MATERIAL | PLATING | TITLE | REV. |
|------------|----------|---------|-------------------------|--------------------|
| TERMINAL 1 | PBS | Tin | 2.5mm AUDIO JACK-STEREO | B |
| TERMINAL 2 | Brass | Tin | PART NO. SJ-2509N | UNITS: MM [INCHES] |
| TERMINAL 3 | PBS | Tin | | |
| HOUSING | PBT | | DRAWN BY: ZRJ | APPROVED BY: |
| | | | SCALE: | 3:1 |

PC FILE NAME:
SJ-2509N

COPYRIGHT 2009 BY CUI INC.