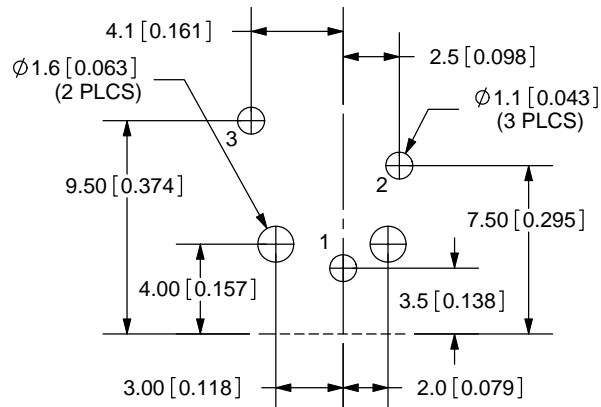
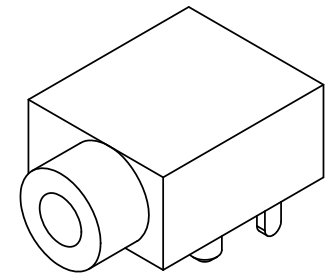
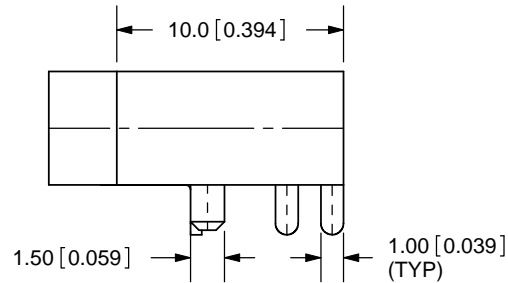
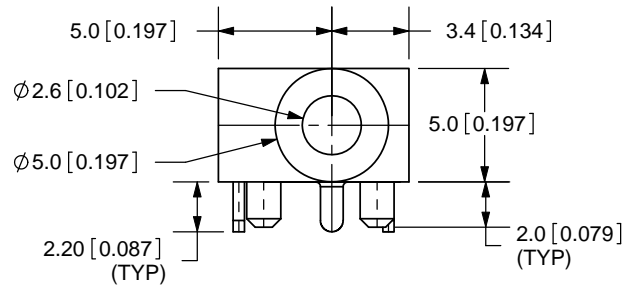
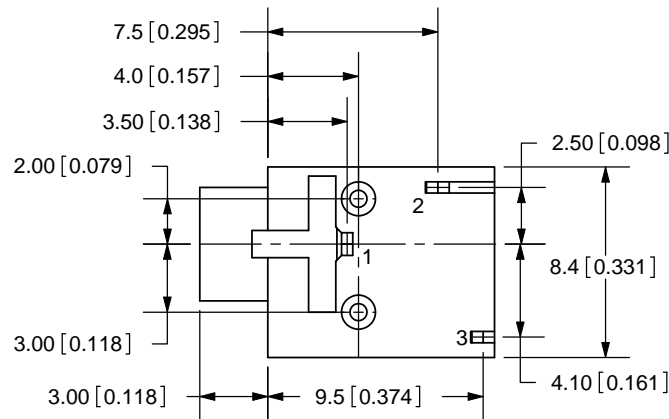


REV.	DESCRIPTION	DATE
A	NEW DRAWING	11/30/2005
B	added missing dimension	9/28/2009



PCB LAYOUT  
TOP VIEW



TOLERANCE:  
X. ±0.5mm  
X.X ±0.3mm  
X.XX ±0.15mm



MODEL NO.	SJ-2509N
SCHEMATIC	

**SPECIFICATIONS:**  
 RATING: 12V DC @ 1A  
 CONTACT RESISTANCE: 30m OHMS MAX  
 INSULATION RESISTANCE: 100M OHMS MIN: 500V DC  
 VOLTAGE WITHSTAND: 500V AC R.M.S. FOR 1 MINUTE  
 LIFE: 5,000 CYCLES  
 OPERATING TEMP: -20° ~ +60°C



**CUI INC**

20050 SW 112th Ave.  
 Tualatin, OR 97062  
 Phone: 503-643-4899  
 800-275-4899  
 Fax: 503-372-1266  
 Website: www.cui.com

TERMINAL 1	MATERIAL	PLATING	TITLE:	REV:
TERMINAL 1	PBS	Tin	2.5mm AUDIO JACK-STEREO	B
TERMINAL 2	Brass	Tin	PART NO. SJ-2509N	UNITS: MM [INCHES]
TERMINAL 3	PBS	Tin	DRAWN BY: ZRJ	APPROVED BY:
HOUSING	PBT			SCALE: 3:1

PC FILE NAME:  
SJ-2509N

COPYRIGHT 2009 BY CUI INC.