

Print this page

E-mail to a friend

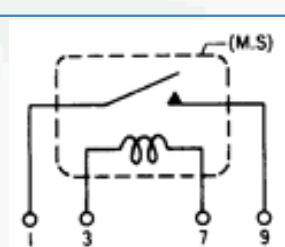
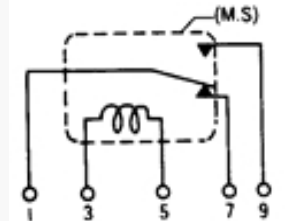
Home > Products > Reed Relays > Selection Guide > SIP/SD Series

SIP/SD Series

Industry standard footprint
High power contacts on some models
UL models available



Coil Ratings

Part Number	Nominal Voltage (VDC)	Coil Resistance (ohms) ± 10%	Operate Voltage (VDC) max.	Release Voltage (VDC) min.	Schematics
SD1A**AWJ SD1A**CWJ	5 12 24	500 500 2000	3.8 9.0 18.0	0.5 1.0 2.0	
SD1A**DWJ	5 12 24	500 500 2000	3.8 9.0 18.0	0.5 1.0 2.0	
SD1C**FVN	5 12 24	200 500 2000	3.8 9.0 18.0	0.5 1.0 2.0	

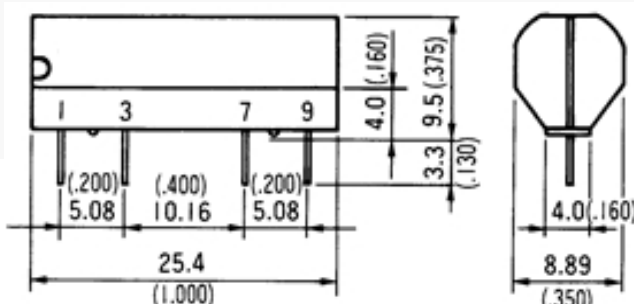
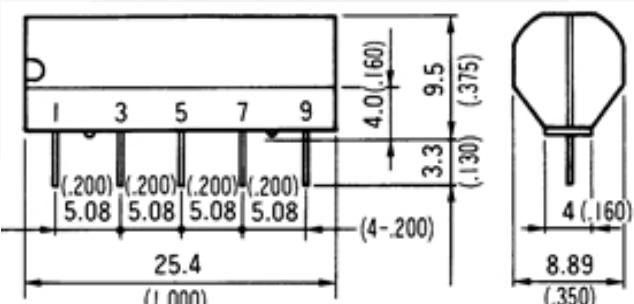
TAMB. = +20°C
(M.S.) : Magnetic Shield

Contact Ratings

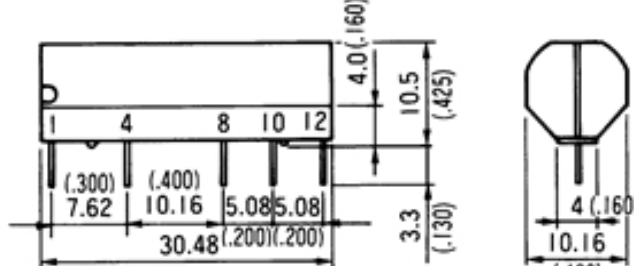
Parameters	SD1A**AWJ	SD1A**CWJ	SD1A**DWJ	SD1C**FVN
Power (W) max.	10	50	25	3
Voltage (VDC) max.	200	200	1000	100
Switching Current (A) max.	0.5	1.0	1.0	0.25
Carry Current (A) max.	1.0	2.0	2.0	0.5
Contact Resistance (ohms) max. (initial)	0.2	0.2	0.2	0.2
Breakdown Voltage (VDC) min.	Open Contact	250	300	1500
	Contact to Coil	1500	1500	1500
Insulation Resistance (ohms) min.	Open Contact	10 ¹⁰	10 ¹⁰	10 ¹⁰
	Contact to Coil	10 ¹⁰	10 ¹⁰	10 ¹⁰
Operate Time (mS) max (incl. bounce)	1.0	1.0	1.0	2.0
Release Time (mS) max.	0.5	0.5	0.5	2.5
Electrical Life	Low Level	10 ⁸ (10mVDC, 10µA)		5 X 10 ⁶ (10VDC, 4mA)
	Rated Load	6 X 10 ⁵ (20VDC, 0.5A)	5 X 10 ⁵ (200VDC, 0.25A)	2 X 10 ⁶ (1000VDC, 10mA)

(resistive loads)

Dimensions

SD1A	SD1C
	

SD1A - With Electrostatic Shield


--