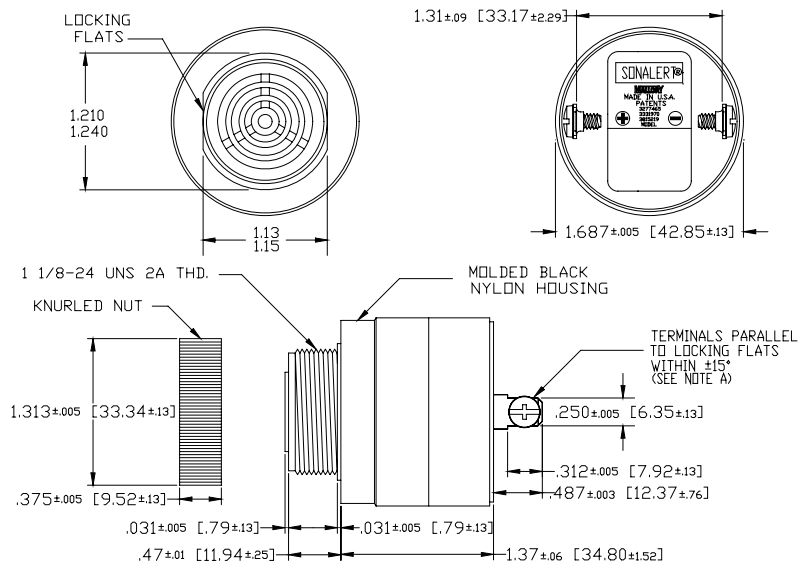


Specifications:

Sound level Category	Medium Sound Level
Mode of Operation	Slow Pulse
Mounting	Panel (see note B)
Voltage Rating	6 to 28 Vdc
Frequency	2900 Hz ±500 Hz
Loudness (Min. Voltage)	68 dB(A) min. @ 2 FT and 6 Vdc
Loudness (Max Voltage)	80 dB(A) min. @ 2 FT and 28 Vdc
Current Draw	5 mA Max @ 6 Vdc
Current Draw	20 mA Max @ 28 Vdc
Min. Pulse Rate	0.5 @ 6 VDC
Max. Pulse Rate	2.0 @ 28 VDC
Duty Cycle %	50 (Approx)
Storage Temperature	-40°C to +85°C
Operating Temperature	-30°C to +65°C
Weight (Typical)	2.1 oz (59 g)
Housing	6/6 Nylon, Color Black
Options	For other options contact factory

Dimensions: Inches (mm)

UL Recognized 
RoHS Compliant



NOTE A: TERMINALS—032 BRASS TIN PLATED, TAPPED FOR #6-32 SCREW. TWO #6-32 NICKEL PLATED BRASS SCREWS INCLUDED. WILL ACCEPT 1/4" QUICK CONNECT.

NOTE B: MOUNTING— REMOVE BLACK PLASTIC NUT AND INSERT THREADED FRONT THROUGH 1.25" HOLE PUNCHED IN PANEL. IF ORIENTATION IS NEEDED, NOTE LOCKING FLATS IN DRAWING. SCREW NUT BACK ON. DO NOT OVERTIGHTEN.