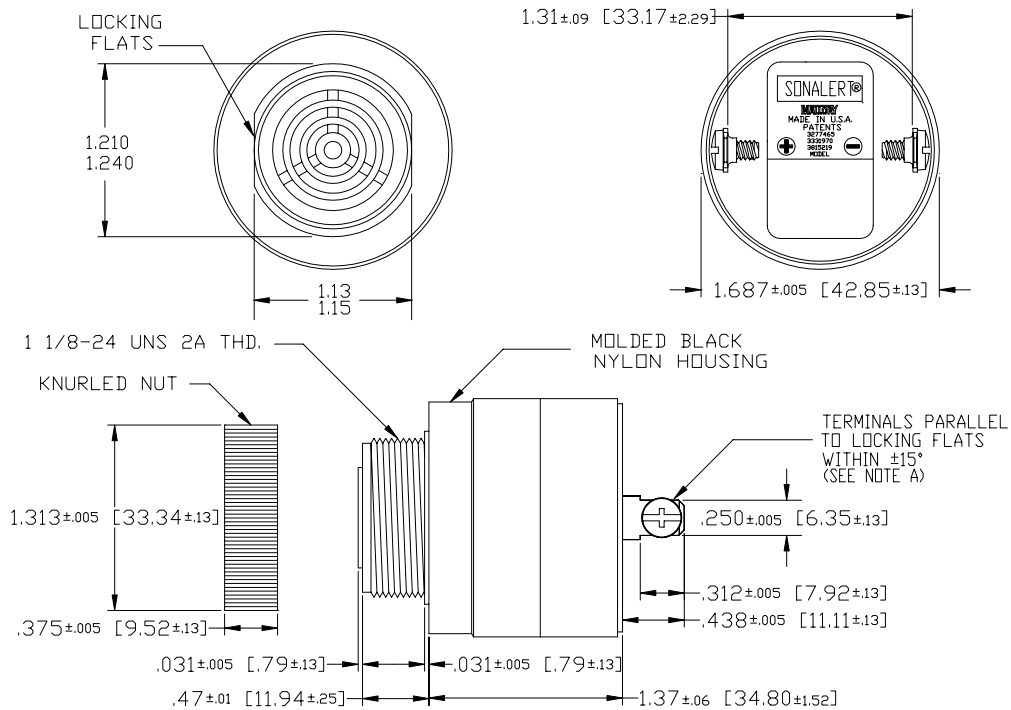


**Specifications:**

|                         |                                    |
|-------------------------|------------------------------------|
| Sound level Category    | Loud Sound Level                   |
| Mode of Operation       | Slow Pulse                         |
| Mounting                | Panel (see note B)                 |
| Voltage Rating          | 30 to 120 Vac/dc                   |
| Frequency               | 2900 Hz ±500 Hz                    |
| Loudness (Min. Voltage) | 80 dB(A) min. @ 2 FT and 30 Vac/dc |
| Loudness (Max Voltage)  | 95 dB(A) min. @ 2FT and 120 Vac/dc |
| Current Draw            | 6 mA Max @ 30 Vac/dc               |
| Current Draw            | 24 mA Max @ 120 Vac/dc             |
| Min Pulse Rate (PPS)    | 0.5 @ 30 Vac/dc                    |
| Max Pulse Rate (PPS)    | 2.0 @ 120 Vac/dc                   |
| Duty Cycle (%)          | 50 (Approx)                        |
| Storage Temperature     | -40°C to +85°C                     |
| Operating Temperature   | -30°C to +65°C                     |
| Weight (Typical)        | 2.1 oz (59 g)                      |
| Housing                 | 6/6 Nylon, Color Black             |
| Options                 | For other options contact factory  |

**Dimensions:** Inches (mm)

**UL Recognized** 



NOTE A: TERMINALS-.032 BRASS TIN PLATED, TAPPED FOR #6-32 SCREW. TWO #6-32 NICKEL PLATED BRASS SCREWS INCLUDED. WILL ACCEPT 1/4" QUICK CONNECT.

NOTE B: MOUNTING- REMOVE BLACK PLASTIC NUT AND INSERT THREADED FRONT THROUGH 1.25" HOLE PUNCHED IN PANEL, IF ORIENTATION IS NEEDED, NOTE LOCKING FLATS ON DRAWING. SCREW NUT BACK ON. DO NOT OVERTIGHTEN.