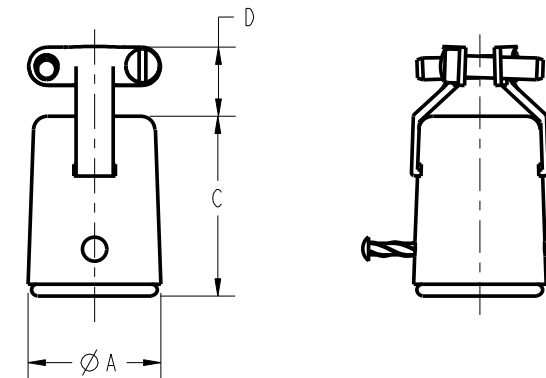
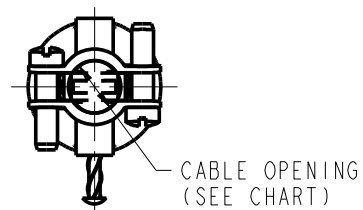
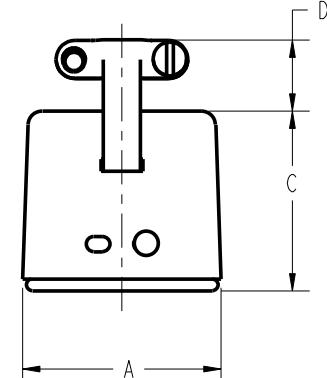
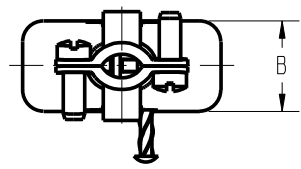


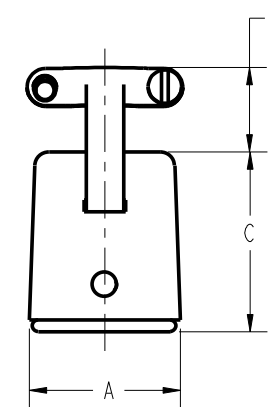
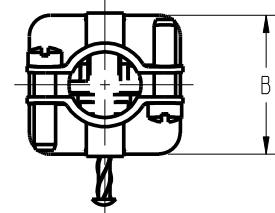
DRAWING REVISIONS			
REV	DOCUMENT	APP	DATE
1	DO 06-1067		



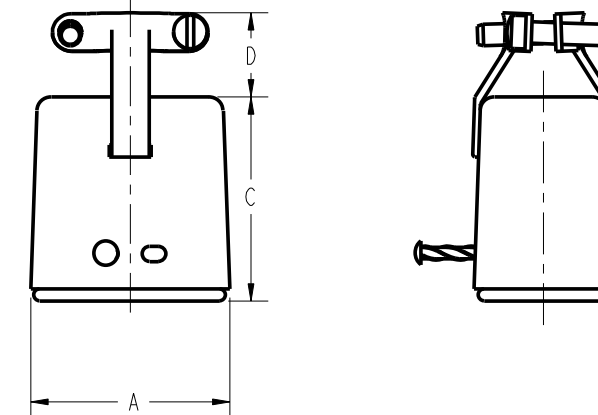
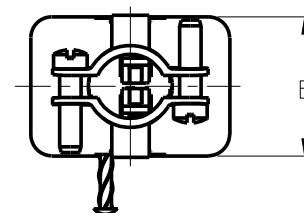
TYPE 1



TYPE 2



TYPE 3



TYPE 4

PART NUMBER	TYPE	A REF	B REF	C REF	D REF	CABLE OPENING REF	FACTORY NUMBER
S-302H-CCT	1	$\varnothing .691$ [17.55]	-	.953 [24.21]	.359 [9.12]	.375 [9.53]	703 02 02 002
S-303H-CCT	2	1.034 [26.26]	.472 [11.99]	.953 [24.21]	.359 [9.12]	.313 [7.95]	703 02 03 002
S-304H-CCT	3	.786 [19.96]	.724 [18.39]	.953 [24.21]	.468 [11.89]	.375 [9.53]	703 02 04 002
S-306H-CCT	4	1.036 [26.31]	.724 [18.39]	1.078 [27.38]	.484 [12.29]	.438 [11.13]	703 02 06 002

NOTES:

1. SPECIFICATIONS:

ELECTRICAL:
 OPERATING VOLTAGE: 250 VAC RMS
 CURRENT RATING: 10 AMPS
 CONTACT RESISTANCE: 16 MILLIOHMS MAX

INSULATOR, CAP: GENERAL PURPOSE PHENOLIC, BLACK

CONTACT: BRASS, MATTE TIN

BRACKET, SCREW, DRIVE PIN: STEEL, ZINC WITH CLEAR TRIVALENT CHROMATE

ENVIRONMENTAL:
 OPERATING TEMPERATURE: UP TO +105°C

TERMINATION: SOLDER

2. DIMENSIONS IN [] ARE IN MILLIMETERS

3. ALL DIMENSIONS ARE REFERENCE

RoHS COMPLIANT

MODELED BY:
JIMENEZ

UNITS ENGLISH INCHES	PRO/E	Cinch		1700 FINLEY RD LOMBARD, IL. 60148
DO NOT SCALE DRAWING	DRAWN BY JIMENEZ	DATE 6/20/06	TITLE SOCKET ASSEMBLY CABLE CLAMP TOP	
UNLESS OTHERWISE SPECIFIED: ALL DIMENSIONS ARE IN INCHES FILLET/RADII .02 MAX TOLERANCES XXX ± .01 .XXX ± .005 ANGULAR ± .5°	DESIGN ENGINEER A. BALI	6/20/06	CONTROL SPEC NUMBER 06-1067	
	DESIGN ENGINEERING MGR.		MATERIAL SPEC NUMBER	FINISH
THIS DOCUMENT IS THE PROPERTY OF CINCH. NEITHER THIS DOCUMENT NOR ANY OF THE INFORMATION CONTAINED IN IT MAY BE DUPLICATED OR DISCLOSED WITHOUT PRIOR WRITTEN CONSENT OF CINCH.	MFG. ENGINEERING		CAD FILE NUMBER S302HCCT	DRAWING NUMBER S-302H-CCT
	QUALITY ASSURANCE		CAGE IDENT NO. SIZE 71785 B	SCALE 1:1
			SHEET 1 OF 1	