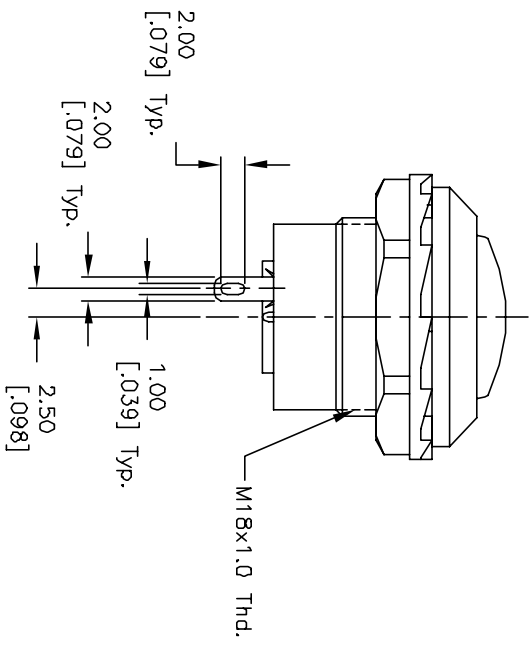
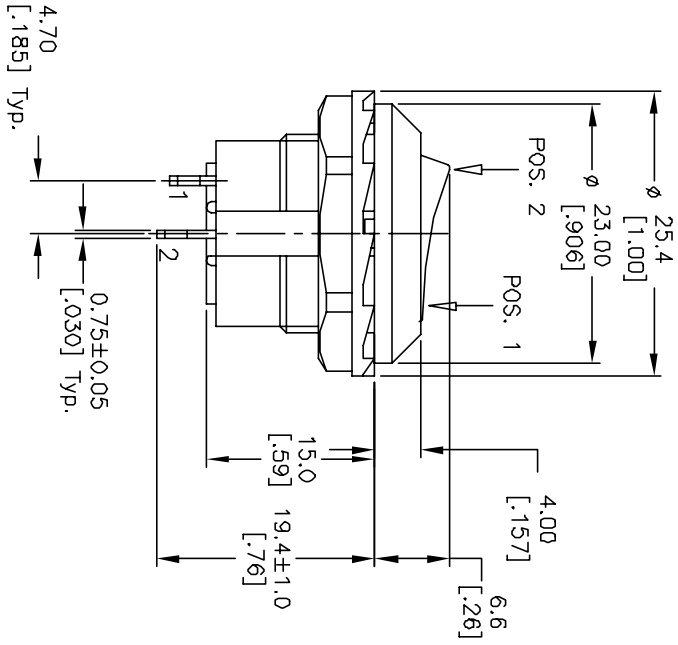


RECOMMEND PANEL MOUNTING



CIRCUIT: SPST  
CONTACT CONFIGURATION

SWITCH FUNCTION	
POS. 1	POS. 2
ON	OFF
2-1	OPEN

NOTES:

1. ALL DIMENSIONS IN MM [INCH]
2. GENERAL TOLERANCE: 0.0=±0.4  
0.00=±0.25
3. TERM. NOS. FOR REF. ONLY
4. RATING: 10A @125V, 6A @250VAC
5. CONTACT RESISTANCE: 50m ohm Max.
6. INSULATION RESISTANCE: DC 500V 100m ohm Min.
7. DIELECTRIC STRENGTH: AC 1500V 1 minute.

REV.	ECN No.	DESCRIPTION	DATE	CHKD
A	10256	RELEASED FOR PRODUCTION		

TITLE	SCALE	DATE	DR	DWG	REV
RR3130A WHT "D/I" Marking	1.5:1	6/29/99	MM	F030000	A



THE INFORMATION CONTAINED IN THIS DOCUMENT IS PROPRIETARY TO E-SWITCH AND IS NOT TO BE COPIED OR TRANSMITTED