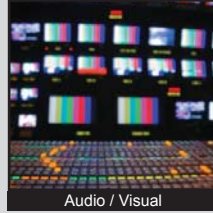


## APPLICATIONS / MARKETS



# RoHS

## SPECIFICATIONS

**Electrical Rating:** 125mA, 125VAC  
100mA, 50VDC

**Life Expectancy:** 500,000 Cycles

**Contact Resistance:** 50mΩ Max.

**Insulation Resistance:** 1,000MΩ Min. at 500VDC

**Dielectric Strength:** 1,500VAC for 1 Minute

**Operating Temperature:** -30°C to 85°C

**Operating Force:** 350gf ± 150gf

**Travel:** 1.5mm ± 0.25mm

**Panel Cutout:** 13.6mm Diameter

**Panel Thickness Range:** 1.5mm - 4.0mm

**Function:** SPST, Off-(On)

## FEATURES & BENEFITS

- Threaded mount
- 500,000 cycle life expectancy
- Metal die cast housing
- LED illuminated options
- Sealed to IP65

## PART NUMBER CONFIGURATOR

Series	Bushing	Terminal	Contact Material	Seal	Housing Color	Cap Color	LED Color
RP8300	B2 - Threaded (12 x .75)	M1 - Standard	C - Gold Over Silver	E - Epoxy	BLK - Black NIC - Stain Nickel CHR - Chrome	WHT - White BLK - Black RED - Red ORG - Orange YEL - Yellow GRN - Green BLU - Blue	WHT - White LED RED - Red LED YEL - Yellow LED GRN - Green LED BLU - Blue LED NIL - Non-Illuminated

Specifications subject to change without notice



**E-SWITCH®**

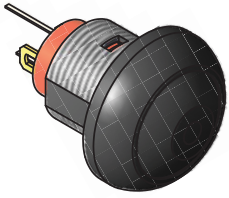


www.e-switch.com

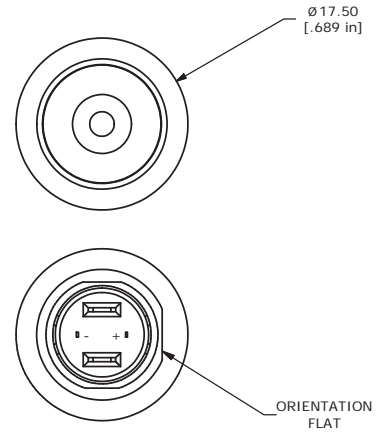
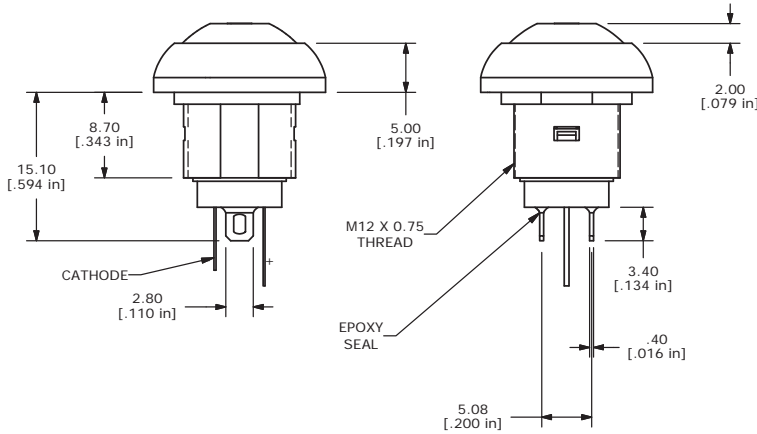
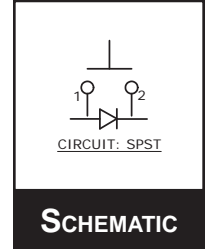
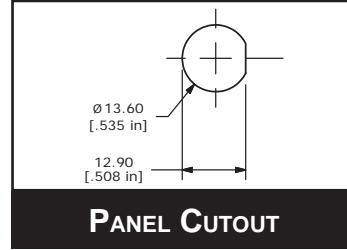
800.867.2717

1

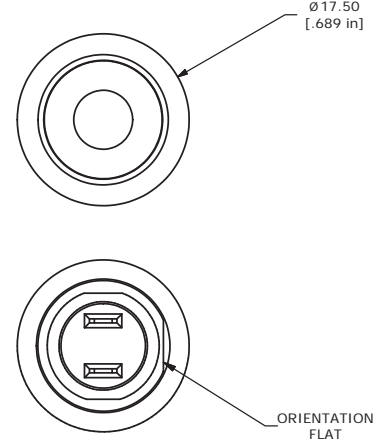
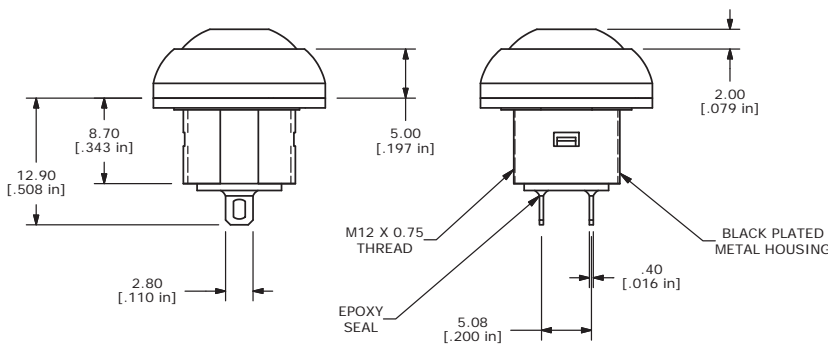
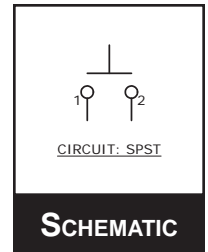
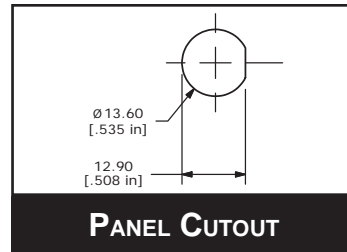
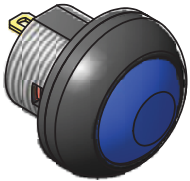
## RP8300 WITH LED



LED SPECS	UNITS	BLUE	
FORWARD CURRENT	mA	20 NOMINAL	
FORWARD VOLTAGE @20mA	V	2.8 TYP.	3.2 MAX.
LUMINOUS INTENSITY @ 20mA	mcd	70 TYP.	28 MIN.

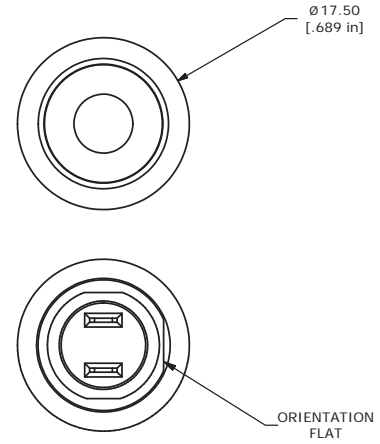
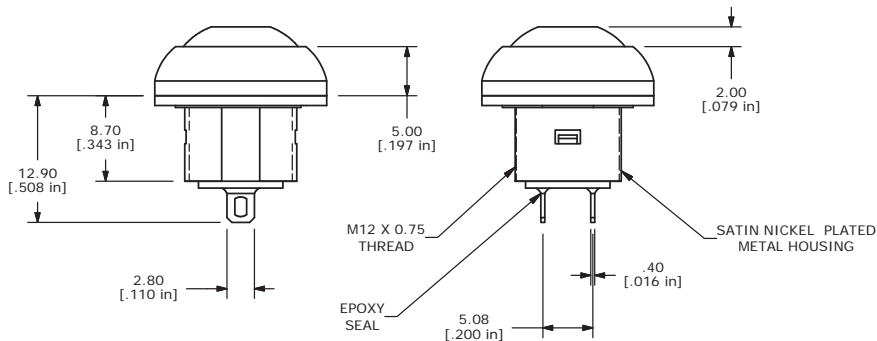
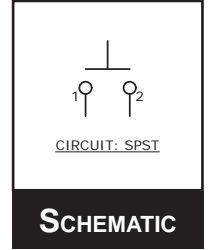
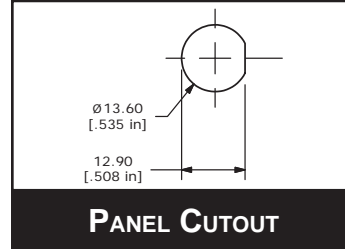
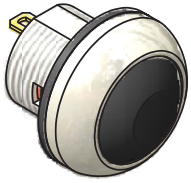


## RP8300 WITHOUT LED

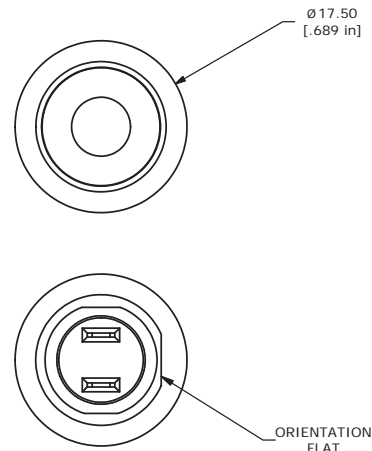
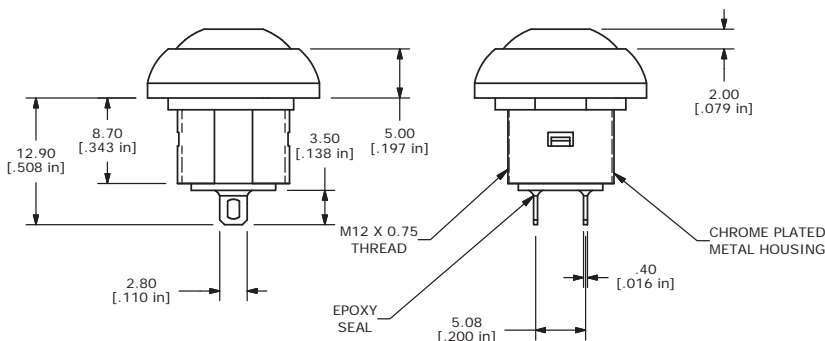
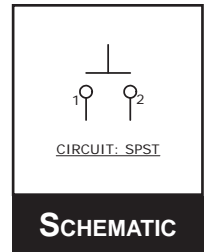
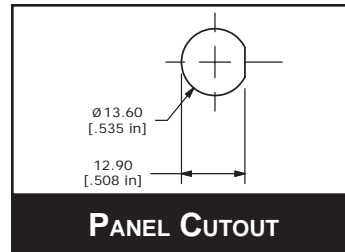


ANTI-VANDAL SWITCHES  
 DETECTOR SWITCHES  
 DIP SWITCHES  
 KEYLOCK SWITCHES  
 NAVIGATION SWITCHES  
**PUSHBUTTON SWITCHES**  
 ROCKER SWITCHES  
 ROTARY SWITCHES  
 SLIDE SWITCHES  
 SNAP ACTION SWITCHES  
 TACTILE SWITCHES  
 TOGGLE SWITCHES  
 CAP OPTIONS

## RP8300 NICKEL BODY



## RP8300 CHROME BODY



ANTI-VANDAL SWITCHES  
DETECTOR SWITCHES  
DIP SWITCHES  
KEYLOCK SWITCHES  
NAVIGATION SWITCHES  
PUSHBUTTON SWITCHES  
ROCKER SWITCHES  
ROTARY SWITCHES  
SLIDE SWITCHES  
SNAP ACTION SWITCHES  
TACTILE SWITCHES  
TOGGLE SWITCHES  
CAP OPTIONS