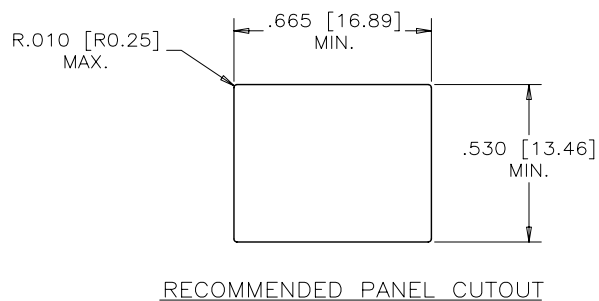
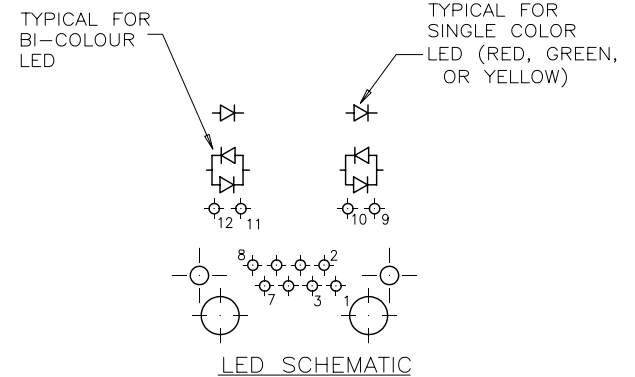
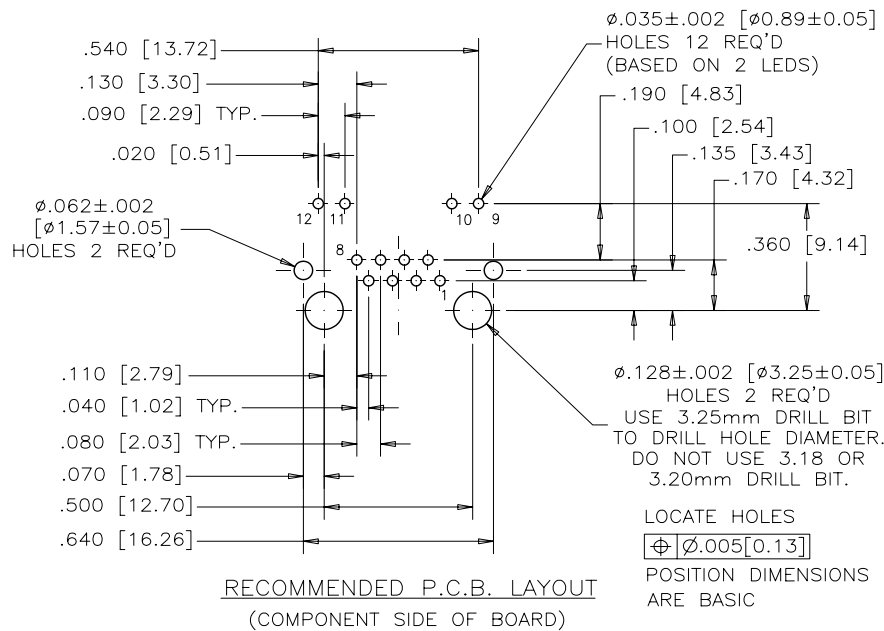
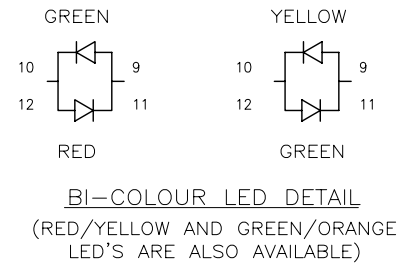


REVISIONS				
SYM	ZONE	ECN, ERN NO.	DATE	APPRD.
E		REVISED PROPOSAL	05/06/28	L.CHAN
F		PER ECN E08063	APR8/08	L.CHAN



MATERIALS:
 PLASTIC HOUSING: ENGINEERING THERMOPLASTIC
 FLAMMABILITY RATING UL 94V-0
 COLOR: BLACK

CONTACTS:
 PHOSPHOR BRONZE
 PLATING: 50 µ" [1.27 MICRONS]
 MIN. GOLD ON MATING SURFACES.
 50 µ" [1.27 MICRONS]
 MIN. NICKEL UNDERPLATE
 100 µ" [2.54 MICRONS]
 MIN. TIN/LEAD ON CONTACT TAILS.

SHIELD:
 COPPER ALLOY
 PLATING: TIN-LEAD

PART NUMBER: RJHS-538X

REFER TO LED OPTIONS DRAWING FOR ORDERING CODES

DRAWN	A.KARIR	DATE	99/11/10	Amphenol Canada Corp.	
DESIGNED					
CHECKED	R.PIKE	DATE	99/11/11		
I. E. APPRD.					
Q. A. APPRD.				TITLE	HIGH SPEED, RJ45, MODULAR JACK, 8 POSITION, 8 CONTACTS, SHIELDED, WITH LED'S
DWG. APPRD.				ENG. REL. NO.	EAR 12778
REF.				DWG	DRAWING NO.
DIMENSIONS ARE IN	INCHES [mm]	CODE ID. NO.	03554	P-RJHS-538X	
SCALE			WT.	SURF.	SHEET 1 OF 1

THIS DOCUMENT CONTAINS PROPRIETARY INFORMATION AND SUCH INFORMATION MAY NOT BE DISCLOSED TO OTHERS FOR ANY PURPOSE OR USED FOR MANUFACTURING PURPOSES WITHOUT WRITTEN PERMISSION FROM AMPHENOL CANADA CORP.