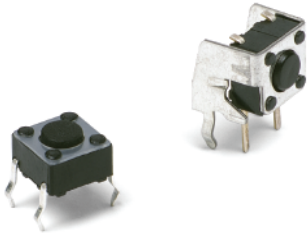


PTS645 Series 6 mm Tact Switches



Features/Benefits

- Compact size 6 x 6 mm
- Variety of actuator lengths
- Choice of actuation force
- RoHS compliant and compatible

Typical Applications

- Consumer products
- Instrumentation
- Computer products
- Industrial

B

Tactile Switches

Specification

FUNCTION: Momentary action
CONTACT ARRANGEMENT: SPST, N.O.
TERMINALS: PC pins

Mechanical

ACTUATION FORCE: PTS645 models: 130 grams, 160 grams,
200 grams, 260 grams
LIFE EXPECTANCY: 100,000 operations.

Electrical

CONTACT RATING: 50 mA @ 12 V DC.
DIELECTRIC STRENGTH: 250 V AC min.
CONTACT RESISTANCE: 100 mΩ max. initial.
INSULATION RESISTANCE: 10¹¹ Ω min.

Environmental

OPERATING TEMPERATURE: -20°C to 60°C

Process

SOLDERING: Preheating to 100°C for 45 sec. max. Keep flux flush with top surface of PCB; do not apply to component side of PCB and area where terminals are located. Soldering to 255°C for 5 sec. max. Clean by brushing on solder surface. Do not clean switch with solvents.

Packaging

Bulk packaging.

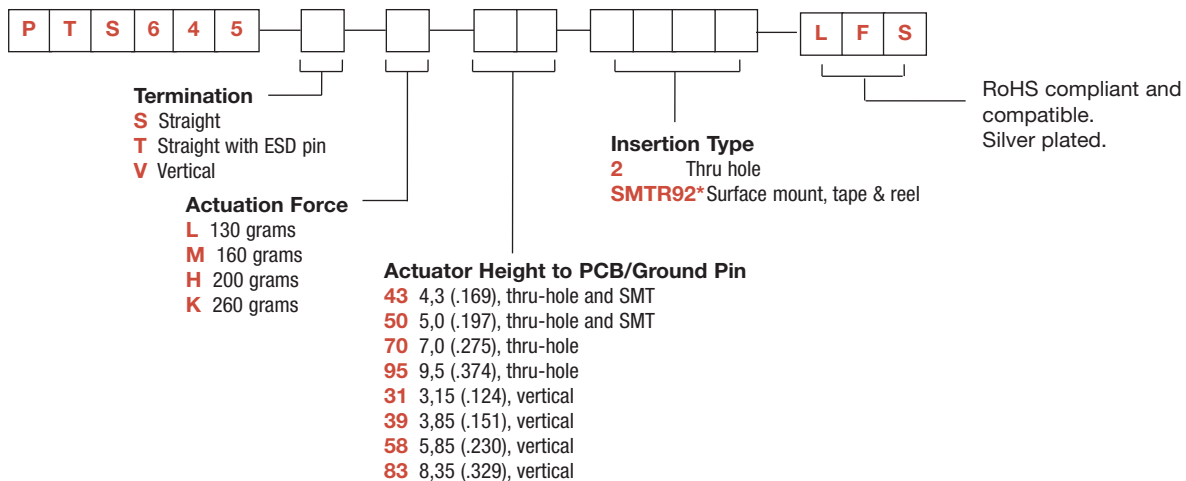
Tape & reel for the SMT type:

Reel of 1,000 pieces

NOTE: Specifications listed above are for switches with standard options.
For information on specific and custom switches, consult Customer Service Center.

How To Order

Our easy build-a-switch concept allows you to mix and match options to create the switch you need. To order, select desired option from each category and place it in the appropriate box.

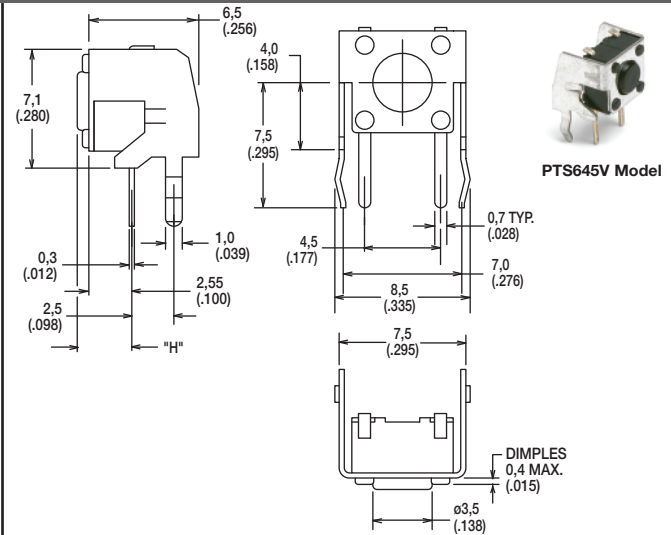
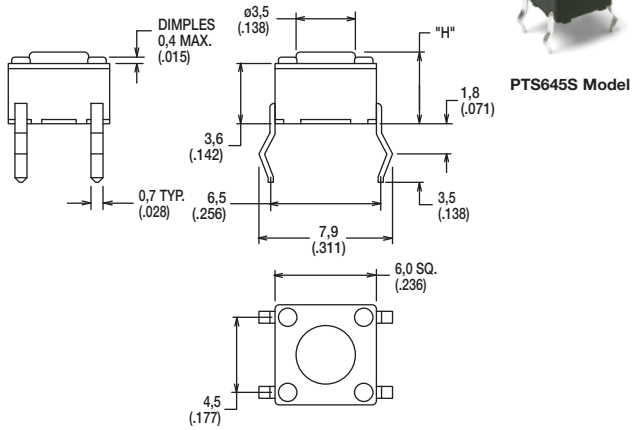


*Only the PTS645 in horizontal type without ESD pin is available in SMT type.

PTS645 Series 6 mm Tact Switches

SERIES

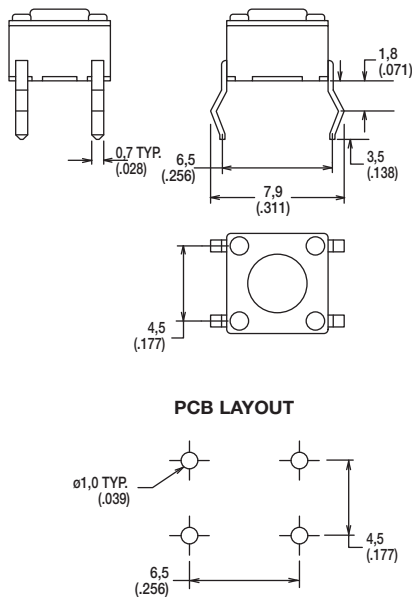
PTS645



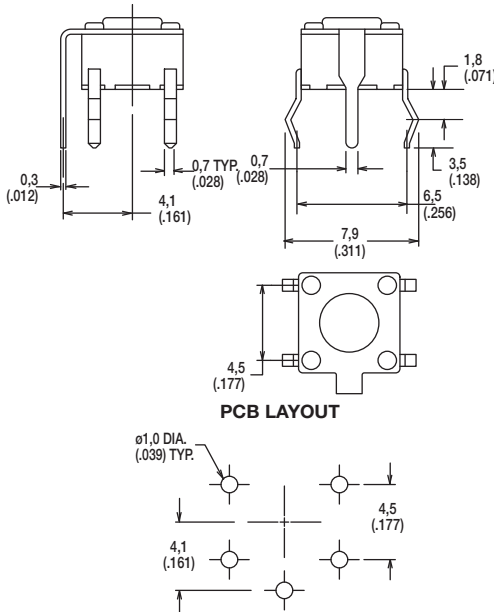
Tactile Switches

TERMINATION

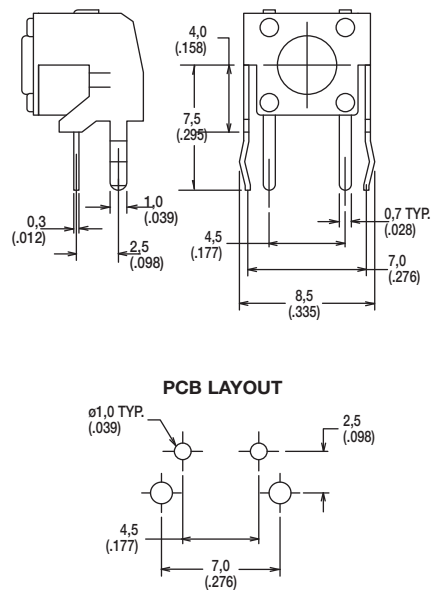
S STRAIGHT



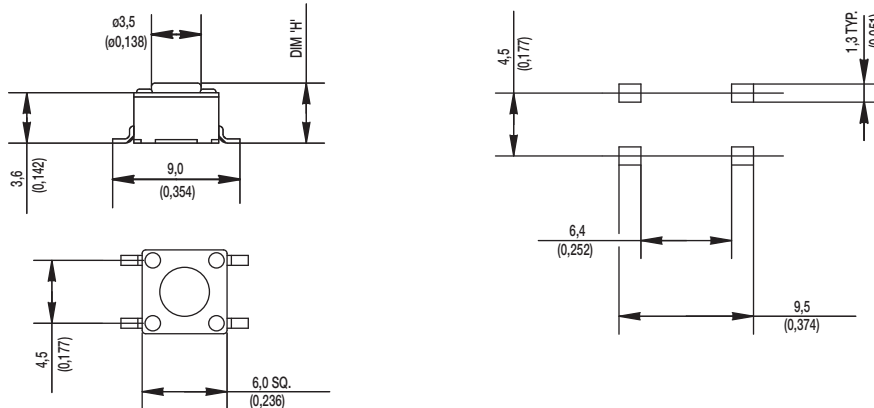
T STRAIGHT WITH ESD PIN



V VERTICAL



SMT



Dimensions are shown: mm (inches)
Specifications and dimensions subject to change



PTS645 Series 6 mm Tact Switches

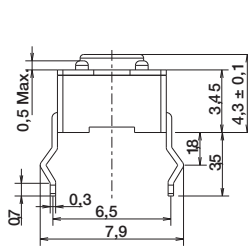
ACTUATION FORCE

| OPTION CODE | FORCE |
|-------------|-----------|
| L | 130 grams |
| M | 160 grams |
| H | 200 grams |
| K | 260 grams |

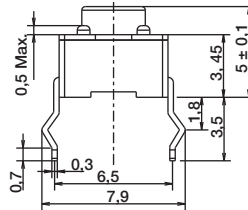
ACTUATOR HEIGHT

| OPTION CODE | HEIGHT "H" or LENGTH "L" | TERMINATION | SCHEMATIC | |
|-------------|--------------------------|-------------------|-----------------|--------------|
| | | | Without EMC pin | With EMC pin |
| 43 | 4,3 (.169) | Thru-hole and SMT | | |
| 50 | 5,0 (.197) | Thru-hole and SMT | | |
| 70 | 7,0 (.275) | Thru-hole | | |
| 95 | 9,5 (.374) | Thru-hole | | |
| 31 | 3,15 (.124) | Vertical | | |
| 39 | 3,85 (.151) | Vertical | | |
| 58 | 5,85 (.230) | Vertical | | |
| 83 | 8,35 (.329) | Vertical | | |

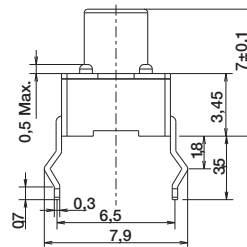
43



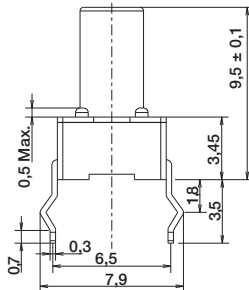
50



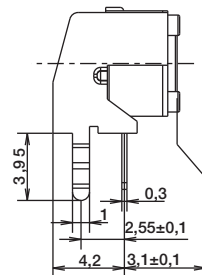
70



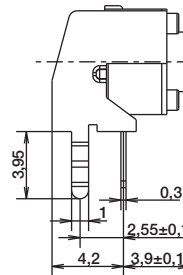
95



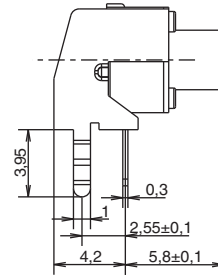
31



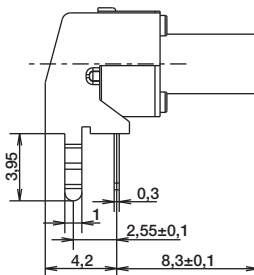
39



58



83



Dimensions are shown: mm
Specifications and dimensions subject to change

PTS645 Series 6 mm Tact Switches

TAPE & REEL

Tactile Switches

B

