

# PTS645 Series 6 mm Tact Switches



## Features/Benefits

- Compact size 6 x 6 mm
- Variety of actuator lengths
- Choice of actuation force
- RoHS compliant and compatible

## Typical Applications

- Consumer products
- Instrumentation
- Computer products
- Industrial

## Specification

FUNCTION: Momentary action  
CONTACT ARRANGEMENT: SPST, N.O.  
TERMINALS: PC pins

## Mechanical

ACTUATION FORCE: PTS645 models: 130 grams, 160 grams,  
200 grams, 260 grams  
LIFE EXPECTANCY: 50,000 operations.

## Electrical

CONTACT RATING: 50 mA @ 12 V DC.  
DIELECTRIC STRENGTH: 250 V AC min.  
CONTACT RESISTANCE: 100 mΩ max. initial.  
INSULATION RESISTANCE: 10<sup>11</sup> Ω min.

## Environmental

OPERATING TEMPERATURE: -20°C to 60°C

NOTE: Specifications listed above are for switches with standard options.  
For information on specific and custom switches, consult Customer Service Center.

## Process

SOLDERING: Preheating to 100°C for 45 sec. max. Keep flux flush with top surface of PCB; do not apply to component side of PCB and area where terminals are located. Soldering to 255°C for 5 sec. max. Clean by brushing on solder surface. Do not clean switch with solvents.

## Materials

BASE: 6/6 nylon or glass filled polyester (PBT).  
ACTUATOR: 6/6 nylon or polyacetal.  
COVER PLATE: PTS645S: Polyester or stainless steel.  
PTS645T and PTS645V: Tin alloy or stainless steel.  
DOME CONTACTS: Phosphor bronze, silver clad.  
STATIONARY CONTACTS: Brass, silver plated.  
TERMINALS: Brass, silver plated. Insert molded.

## Packaging

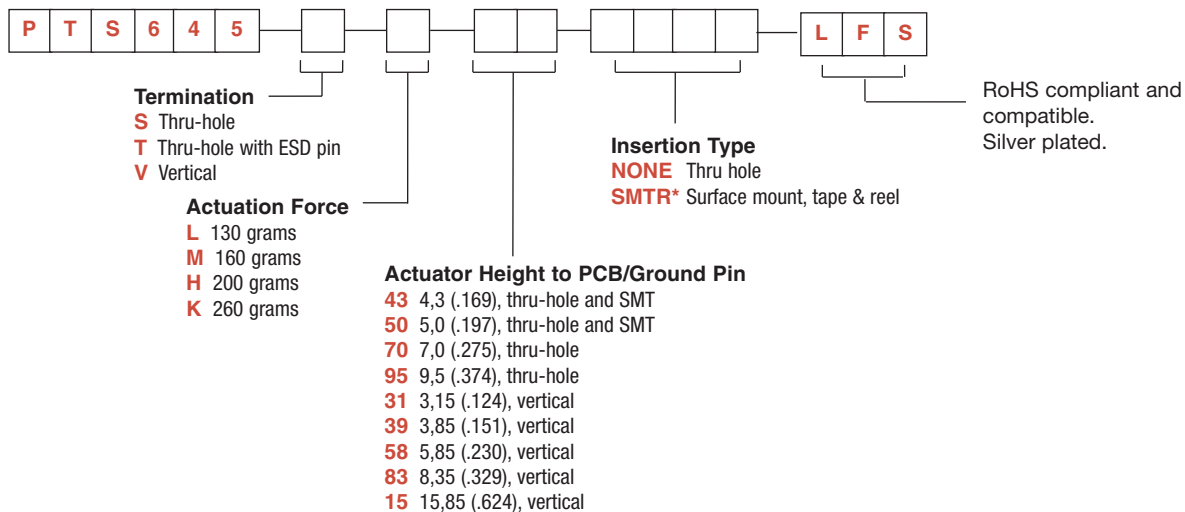
Bulk packaging.

### Tape & reel for the SMT type:

Reel of 1,000 pieces

## How To Order

Our easy build-a-switch concept allows you to mix and match options to create the switch you need. To order, select desired option from each category and place it in the appropriate box.

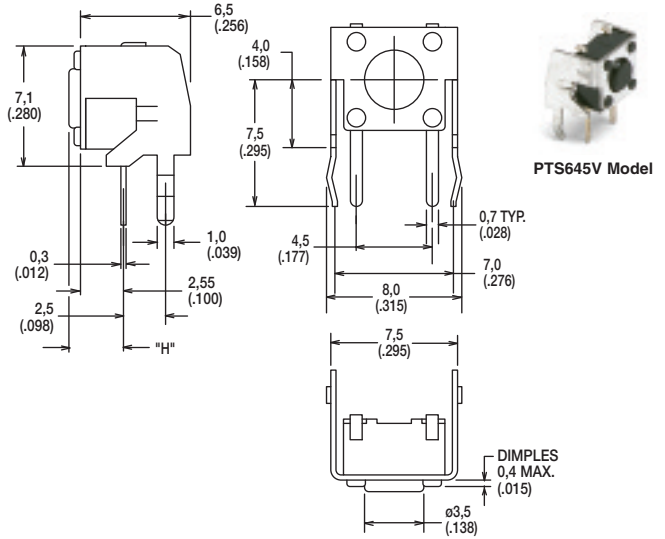
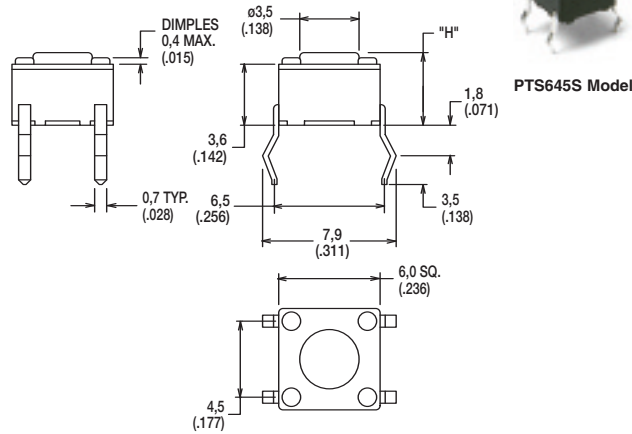


\*Only the PTS645 in horizontal type without ESD pin is available in SMT type.

# PTS645 Series 6 mm Tact Switches

SERIES 

## PTS645

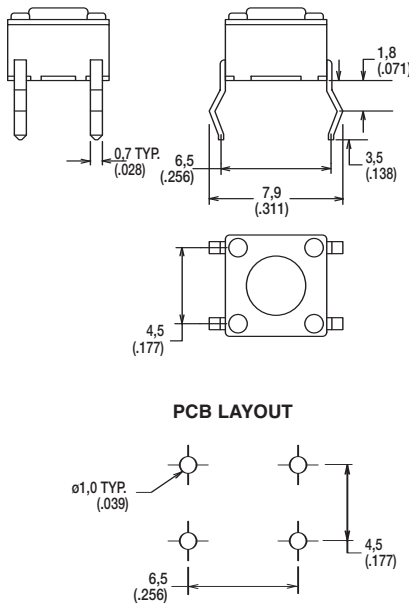


B

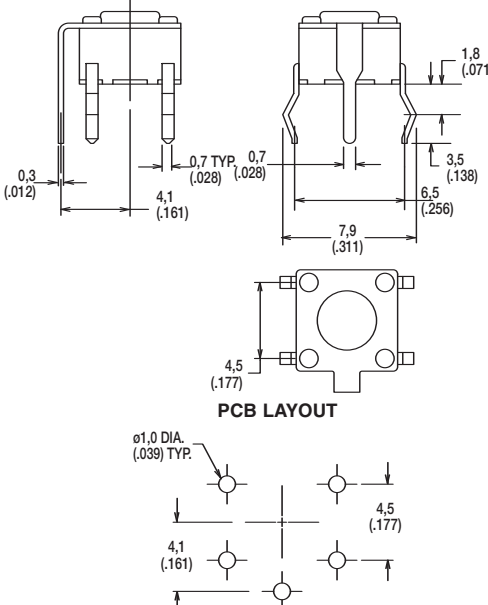
Tactile Switches

TERMINATION 

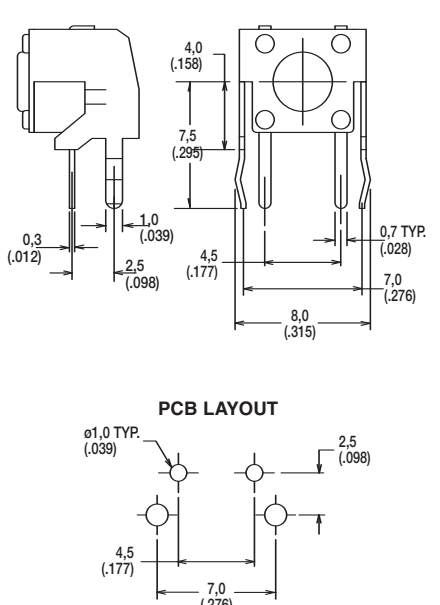
## S STRAIGHT



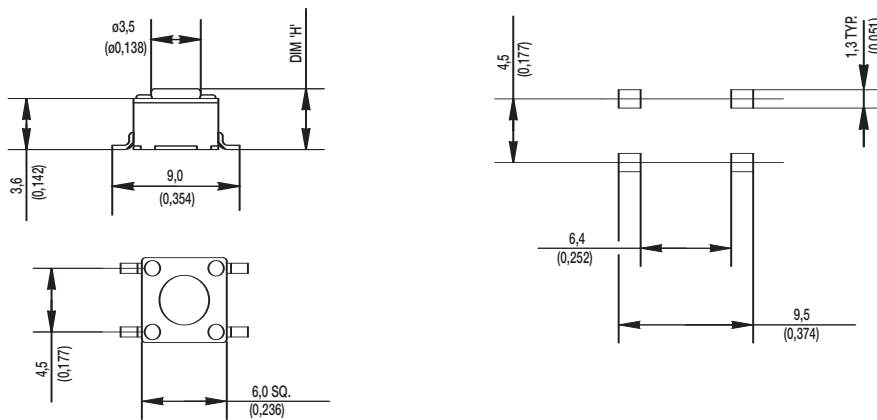
## T STRAIGHT WITH EMC PIN



## V VERTICAL



## SMT



Dimensions shown in: mm (inch)  
Specifications and dimensions subject to change

www.ck-components.com

# PTS645 Series 6 mm Tact Switches

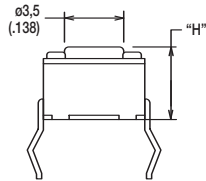
## ACTUATION FORCE

| OPTION CODE | FORCE     |
|-------------|-----------|
| <b>L</b>    | 130 grams |
| <b>M</b>    | 160 grams |
| <b>H</b>    | 200 grams |
| <b>K</b>    | 260 grams |

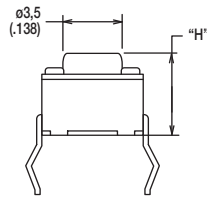
## ACTUATOR HEIGHT

| OPTION CODE | HEIGHT "H" or LENGTH "L" | TERMINATION       | SCHEMATIC       |              |
|-------------|--------------------------|-------------------|-----------------|--------------|
|             |                          |                   | Without EMC pin | With EMC pin |
| <b>43</b>   | 4,3 (.169)               | Thru-hole and SMT |                 |              |
| <b>50</b>   | 5,0 (.197)               | Thru-hole and SMT |                 |              |
| <b>70</b>   | 7,0 (.275)               | Thru-hole         |                 |              |
| <b>95</b>   | 9,5 (.374)               | Thru-hole         |                 |              |
| <b>31</b>   | 3,15 (.124)              | Vertical          |                 |              |
| <b>39</b>   | 3,85 (.151)              | Vertical          |                 |              |
| <b>58</b>   | 5,85 (.230)              | Vertical          |                 |              |
| <b>83</b>   | 8,35 (.329)              | Vertical          |                 |              |
| <b>15</b>   | 15,85 (.624)             | Vertical          |                 |              |

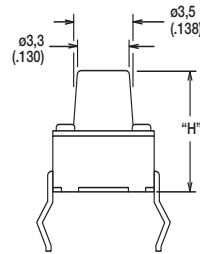
**43**



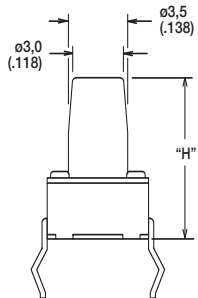
**50**



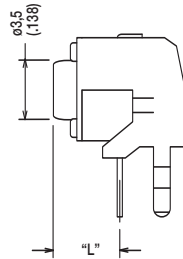
**70**



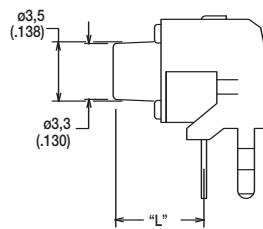
**95**



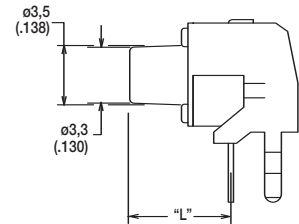
**31**



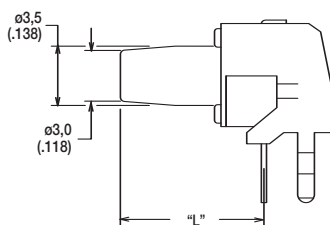
**39**



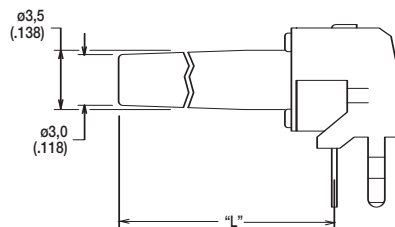
**58**



**83**



**15**



First Angle Projection

Dimensions shown in: mm (inch)  
Specifications and dimensions subject to change

www.ck-components.com