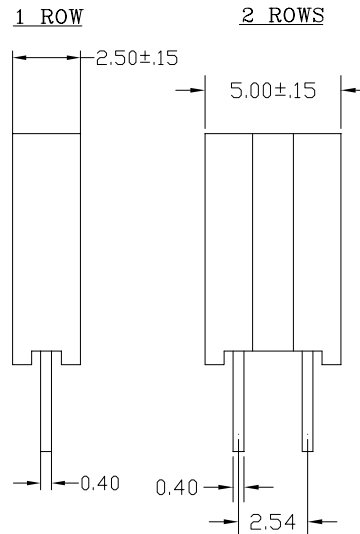
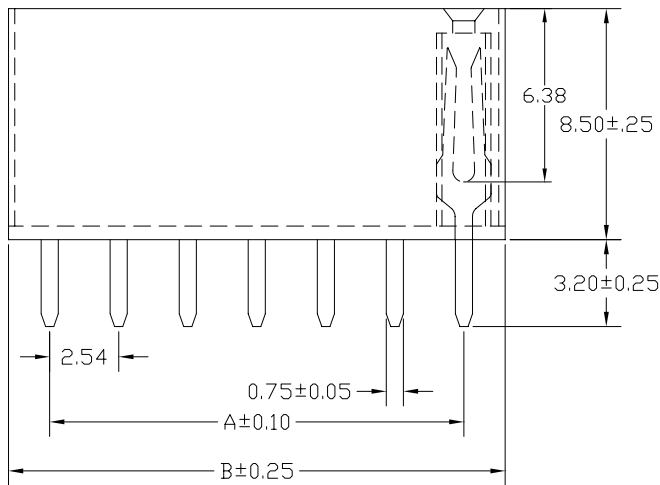
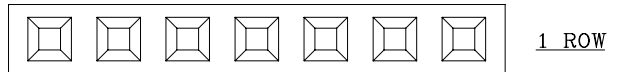
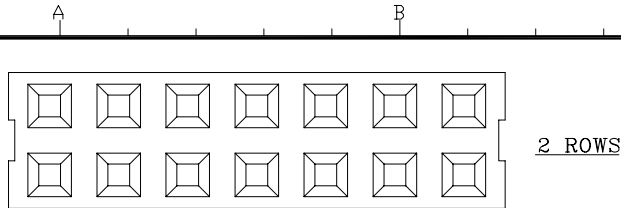
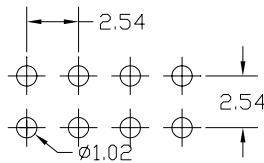


No. of Positions	DIMENSIONS	
	A	B
2	2.54	5.58
3	5.08	8.12
4	7.62	10.66
5	10.16	13.20
6	12.70	15.74
7	15.24	18.28
8	17.78	20.82
9	20.32	23.36
10	22.86	25.90
11	25.40	28.44
12	27.94	30.98
13	30.48	33.52
14	33.02	36.06
15	35.56	38.60
16	38.10	41.14
17	40.64	43.68
18	43.18	46.22
19	45.72	48.76
20	48.26	51.30
21	50.80	53.84
22	53.34	56.38
23	55.88	58.92
24	58.42	61.46
25	60.96	64.00
26	63.50	66.54
27	66.04	69.08
28	68.58	71.62
29	71.12	74.16
30	73.66	76.70
31	76.20	79.24
32	78.74	81.78
33	81.28	84.32
34	83.82	86.86
35	86.36	89.40
36	88.90	91.94
37	91.44	94.48
38	93.98	97.02
39	96.52	99.56
40	99.06	102.10



**RECOMMENDED PCB FOR DOUBLE ROWS**



REV.	ECO	DESCRIPTION	DATE	BY
A	648	INITIAL RELEASE	6/15/2005	TT
B	736	DIM B LETTER, PINS WIDTH	9/19/2005	TT
C	1126	UPDATE SPECIFICATIONS	9/12/2006	MV

**PART NUMBER CODING**

xPxCxxxLFBN-RC

- NUMBER OF ROWS
  - 1 - 1 ROW
  - 2 - 2 ROWS
- NUMBER OF POSITIONS
  - (2 - 40)
- PLATING
  - P - GOLD FLASH OVERALL
  - T - TIN OVERALL
  - P = Polyester, UL 94V-0
  - \*Processing Temp. = 210°C for 5 Secs.
  - N = Nylon 6-T
  - Processing Temp. = 260°C for 10 Secs.

\*Indicated Temperature and time is for component Insulator. Higher processing temperatures may be used, provided heat is applied from back side of PCB, and Insulator does not exceed indicated temperature and time.

**SPECIFICATIONS**

Current Rating: 3 Amps  
 Insulator resistance: 5000 Megohms min.  
 Contact resistance: 20 m ohms max.  
 Dielectric withstanding: AC 500 V  
 Operating Temperature: -40°C to +105°C  
 Contact Material: Phosphor bronze  
 Plating: See part number coding

**Note:**

Selective plating: gold plated on contact area,  
 Tin on solder area



**ROHS COMPLIANT**

Sullins Electronics  
 San Marcos, CA  
 www.SullinsElectronics.com

GENERAL TOLERANCE	
XX. ±	XXX. ±
X. ± 0.20	.XXX ±
.X ± 0.10	X.* ±
.XX ± 0.05	.X.* ±

SCALE	UNIT	SIZE
NTS	MM	

DRAWN	CHECK	APPROVE
TT		

DATE	DATE	DATE
6/15/2005		

DWG. NO.	PARTS NO.
10492	xPxCxxxLFBN-RC

TITLE
2.54mm FEMALE HEADER 8.50mm INSULATOR

REV.	SHEET
C	1/1