



MODEL: PJ-045H | **DESCRIPTION:** DC POWER JACK

FEATURES

- 1.65 mm center pin
- high current 5 A rating
- right angle orientation
- through hole
- shielded



SPECIFICATIONS

| parameter | conditions/description | min | typ | max | units |
|---------------------------------|--|-----|-------|----------|----------|
| rated input voltage | | | 24 | | Vdc |
| rated input current | | | | 5.0 | A |
| contact resistance ¹ | between terminal and mating plug between terminal in a closed circuit | | | 50 30 | mΩ mΩ |
| insulation resistance | at 500 Vdc | 100 | | | MΩ |
| voltage withstand | at 50/60Hz for 1 minute | | | 500 | Vac |
| insertion/withdrawal force | | 0.3 | | 3 | kg |
| terminal strength | any direction for 10 seconds | | | 500 | g |
| operating temperature | | -25 | | 85 | °C |
| life | | | 5,000 | | cycles |
| flammability rating | UL94V-0 | | | | |
| RoHS | 2011/65/EU | | | | |

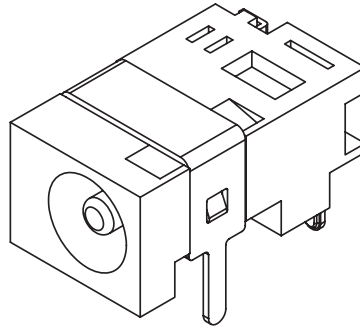
Note: 1. When measured at a current of less than 100 mA/1 kHz

SOLDERABILITY

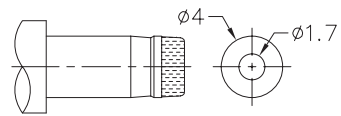
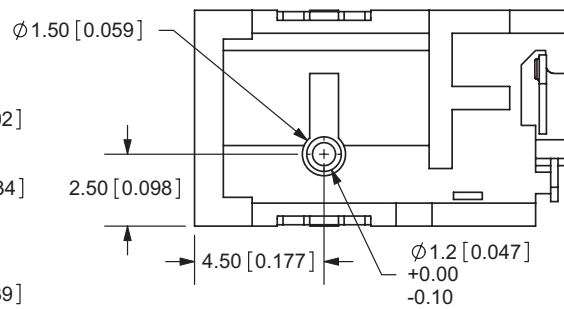
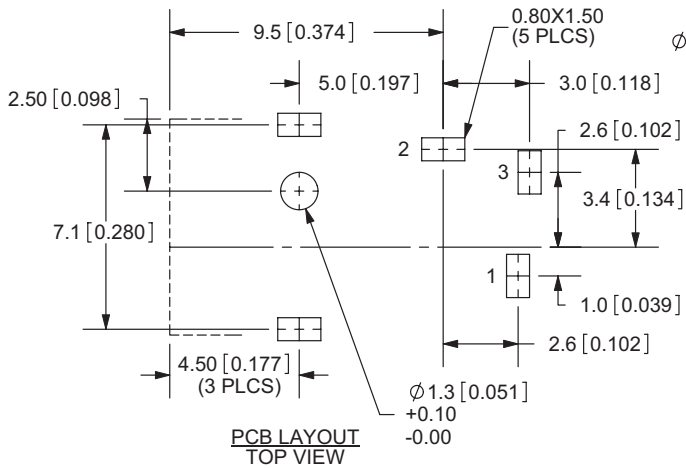
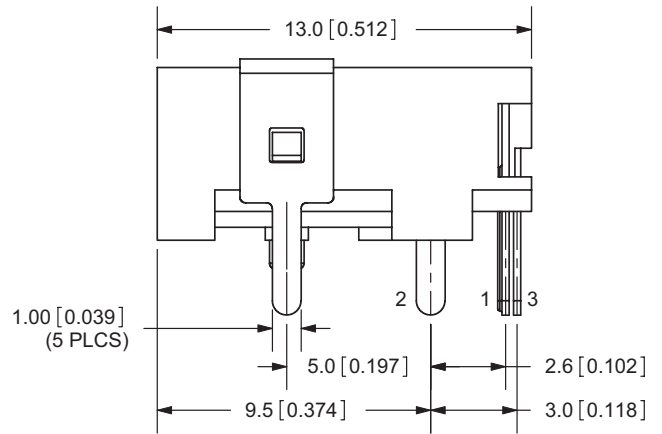
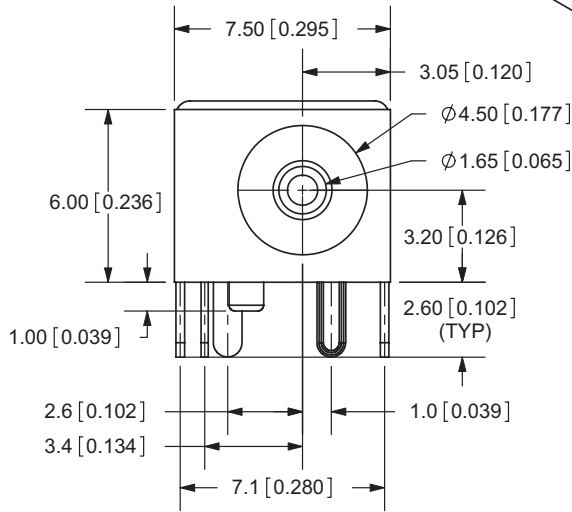
| parameter | conditions/description | min | typ | max | units |
|----------------|---|-----|-----|-----|-------|
| wave soldering | dipped in solder pot for 5 ±0.5 seconds | 255 | 260 | 265 | °C |

MECHANICAL DRAWING

units: mm[inches]
 tolerance:
 X.X ±0.2mm
 X.XX ±0.1mm
 X.XXX ±0.05mm



| | MATERIAL | PLATING |
|------------|--------------|---------|
| center pin | brass | silver |
| terminal 1 | brass | silver |
| terminal 2 | copper alloy | silver |
| terminal 3 | brass | silver |
| shield | brass | nickel |
| plastic | PBT | |



MATING PLUG
 Jack Insertion Depth: 8.35 mm

| | |
|-------------------|-----------------|
| SCHEMATIC | |
| Model | PJ-045H |
| Center Pin | Ø1.65 mm |

Note: 1. All specifications measured at 10~35°C, humidity at 45~85%, under standard atmospheric pressure, unless otherwise noted.

REVISION HISTORY

| rev. | description | date |
|------|--|------------|
| 1.0 | initial release | 07/30/2007 |
| 1.01 | shield plating material changed from tin to nickel | 09/30/2009 |
| 1.02 | rating updated from 2.5 to 5A | 10/07/2009 |
| 1.03 | applied new spec template | 01/14/2015 |
| 1.04 | increased voltage rating | 04/14/2016 |

The revision history provided is for informational purposes only and is believed to be accurate.



Headquarters
20050 SW 112th Ave.
Tualatin, OR 97062
800.275.4899

Fax 503.612.2383
cui.com
techsupport@cui.com

CUI offers a one (1) year limited warranty. Complete warranty information is listed on our website.

CUI reserves the right to make changes to the product at any time without notice. Information provided by CUI is believed to be accurate and reliable. However, no responsibility is assumed by CUI for its use, nor for any infringements of patents or other rights of third parties which may result from its use.

CUI products are not authorized or warranted for use as critical components in equipment that requires an extremely high level of reliability. A critical component is any component of a life support device or system whose failure to perform can be reasonably expected to cause the failure of the life support device or system, or to affect its safety or effectiveness.