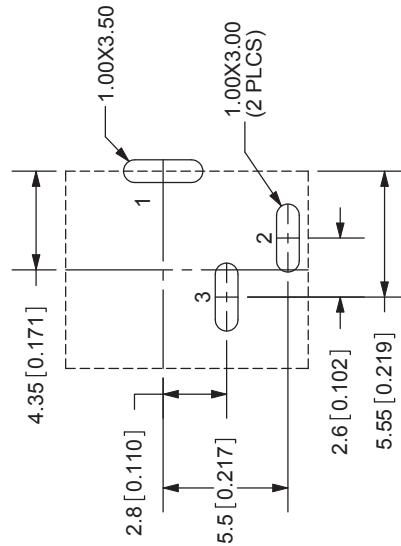
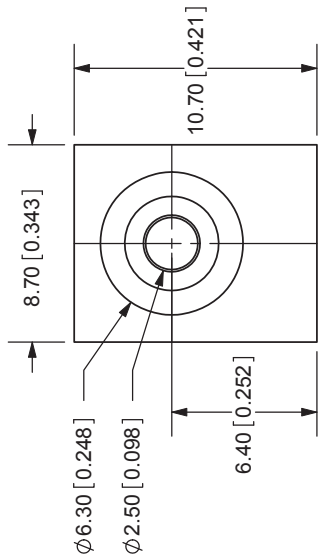
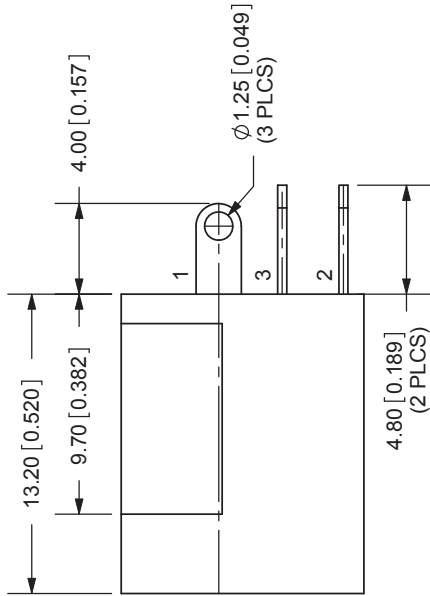
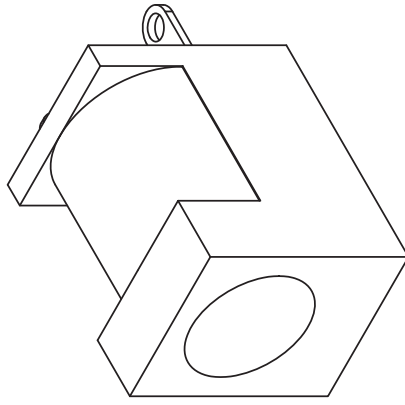


| REV. | DESCRIPTION               | DATE      |
|------|---------------------------|-----------|
| A    | NEW DRAWING               | 5/17/2006 |
| B    | hand soldering note added | 4/23/2009 |



PCB LAYOUT  
BACK VIEW

|                           |         |
|---------------------------|---------|
| MODEL NO.                 | PJ-006B |
| SCHEMATIC                 |         |
| CENTER PIN DIAMETER 2.5mm |         |



**NOTE:**  
1. FOR HAND SOLDERING ONLY

TOLERANCE:  
±0.3mm UNLESS OTHERWISE  
SPECIFIED



20050 SW 112th Ave.  
Tualatin, OR 97062  
Phone: 503-612-2300  
800-275-4899  
Fax: 503-612-2383  
Website: www.cui.com

**SPECIFICATIONS:**  
RATING: 16V DC @ 2A  
CONTACT RESISTANCE: 30m OHMS MAX  
INSULATION RESISTANCE: 100M OHMS MIN: 500V DC  
VOLTAGE WITHSTAND: 500V AC R.M.S. FOR 1 MINUTE  
LIFE: 5,000 CYCLES  
OPERATING TEMP: -20° ~ +85°C

| MATERIAL   | PLATING |
|------------|---------|
| CENTER PIN | Nickel  |
| TERMINAL 1 | Silver  |
| TERMINAL 2 | Silver  |
| TERMINAL 3 | Silver  |
| HOUSING    | PBT     |

|           |               |              |             |
|-----------|---------------|--------------|-------------|
| TITLE:    | DC POWER JACK | REV:         | B           |
| PART NO:  | PJ-006B       | UNITS:       | MM [INCHES] |
| DRAWN BY: | ZRJ           | APPROVED BY: |             |
|           |               | SCALE:       | 3:1         |