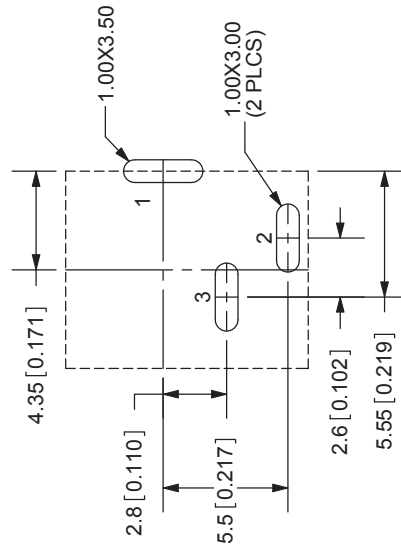
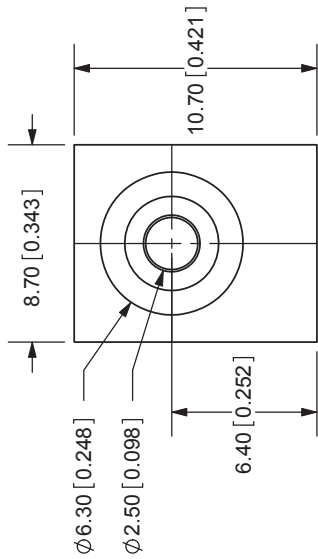
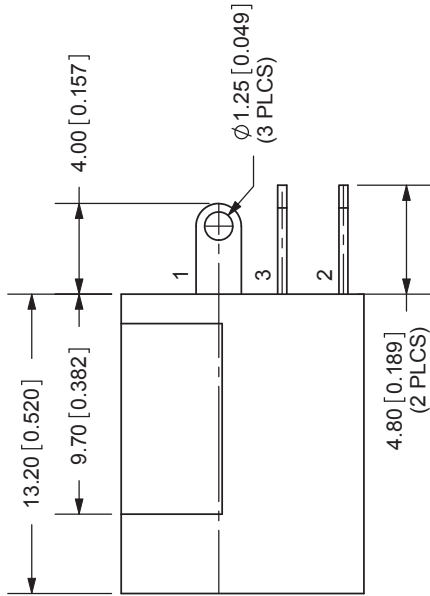
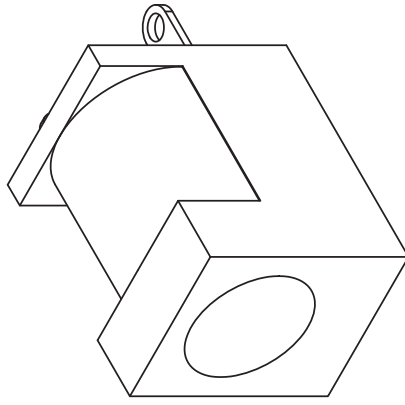


REV.	DESCRIPTION	DATE
A	NEW DRAWING	5/17/2006
B	hand soldering note added	4/23/2009



PCB LAYOUT  
BACK VIEW

MODEL NO.	PJ-006B
SCHEMATIC	
CENTER PIN DIAMETER 2.5mm	



**NOTE:**  
1. FOR HAND SOLDERING ONLY

TOLERANCE:  
±0.3mm UNLESS OTHERWISE  
SPECIFIED



20050 SW 112th Ave.  
Tualatin, OR 97062  
Phone: 503-612-2300  
800-275-4899  
Fax: 503-612-2383  
Website: www.cui.com

**SPECIFICATIONS:**  
RATING: 16V DC @ 2A  
CONTACT RESISTANCE: 30m OHMS MAX  
INSULATION RESISTANCE: 100M OHMS MIN: 500V DC  
VOLTAGE WITHSTAND: 500V AC R.M.S. FOR 1 MINUTE  
LIFE: 5,000 CYCLES  
OPERATING TEMP: -20° ~ +85°C

TITLE:	DC POWER JACK	REV:	B
PART NO:	PJ-006B	UNITS:	MM [INCHES]
DRAWN BY:	ZRJ	APPROVED BY:	
MATERIAL		PLATING	
CENTER PIN	Copper	Nickel	
TERMINAL 1	Brass	Silver	
TERMINAL 2	Phosphor Bronze	Silver	
TERMINAL 3	Brass	Silver	
HOUSING	PBT		