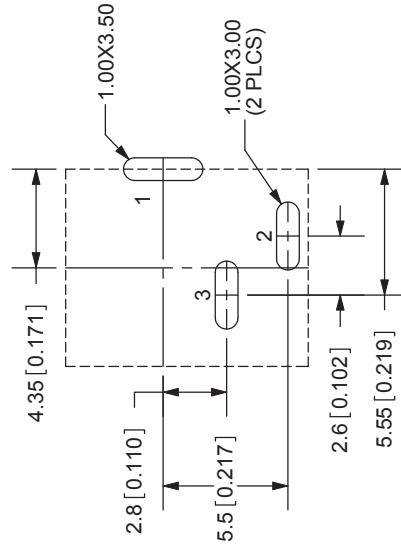
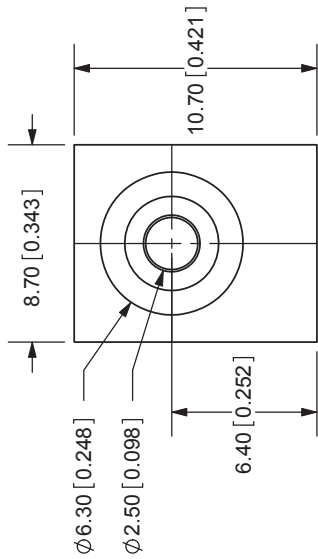
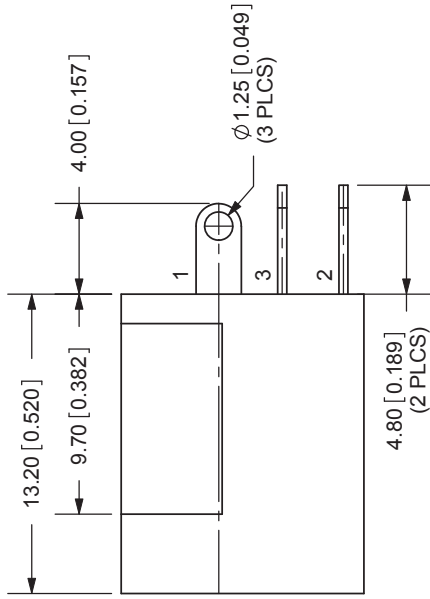


| REV. | DESCRIPTION | DATE |
|------|---------------------------|-----------|
| A | NEW DRAWING | 5/17/2006 |
| B | hand soldering note added | 4/23/2009 |



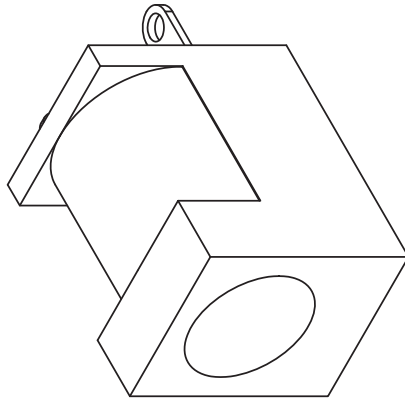
PCB LAYOUT
BACK VIEW

| | |
|---------------------------|---------|
| MODEL NO. | PJ-006B |
| SCHEMATIC | |
| CENTER PIN DIAMETER 2.5mm | |

NOTE:
1. FOR HAND SOLDERING ONLY

SPECIFICATIONS:
 RATING: 16V DC @ 2A
 CONTACT RESISTANCE: 30m OHMS MAX
 INSULATION RESISTANCE: 100M OHMS MIN: 500V DC
 VOLTAGE WITHSTAND: 500V AC R.M.S. FOR 1 MINUTE
 LIFE: 5,000 CYCLES
 OPERATING TEMP: -20° ~ +85°C

| | MATERIAL | PLATING |
|------------|-----------------|---------|
| CENTER PIN | Copper | Nickel |
| TERMINAL 1 | Brass | Silver |
| TERMINAL 2 | Phosphor Bronze | Silver |
| TERMINAL 3 | Brass | Silver |
| HOUSING | PBT | |



TOLERANCE:
±0.3mm UNLESS OTHERWISE
SPECIFIED



20050 SW 112th Ave.
Tualatin, OR 97062
Phone: 503-612-2300
800-275-4899
Fax: 503-612-2383
Website: www.cui.com

| | | | |
|-----------|---------------|--------------|-------------|
| TITLE: | DC POWER JACK | REV: | B |
| PART NO: | PJ-006B | UNITS: | MM [INCHES] |
| DRAWN BY: | ZRJ | APPROVED BY: | |
| | | SCALE: | 3:1 |