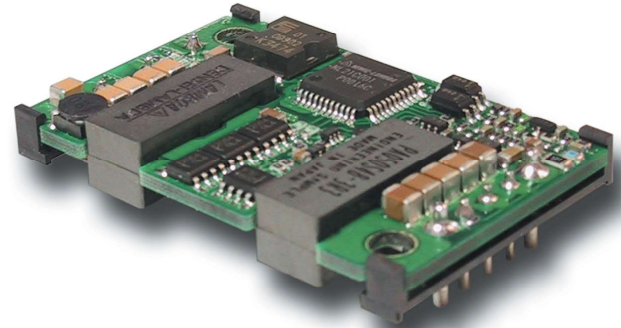


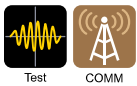
## Quarter Brick Power Supply Specifications

### Features

- ◆ Low Voltage Outputs (1.2-5.0V)
- ◆ Industry Standard Footprint & Pinouts
- ◆ Safety Agency Approvals (UL1950, CSA22.2, CE, TUV)
- ◆ Constant Current Limit (Auto Restarting)
- ◆ Remote On / Off
- ◆ ASIC Design to Reduce Component Count
- ◆ Wide Range Operating Temperature (-40 to 100°C)
- ◆ High Efficiency 88% at 3.3V (PAQ50)



### Key Market Segments & Applications



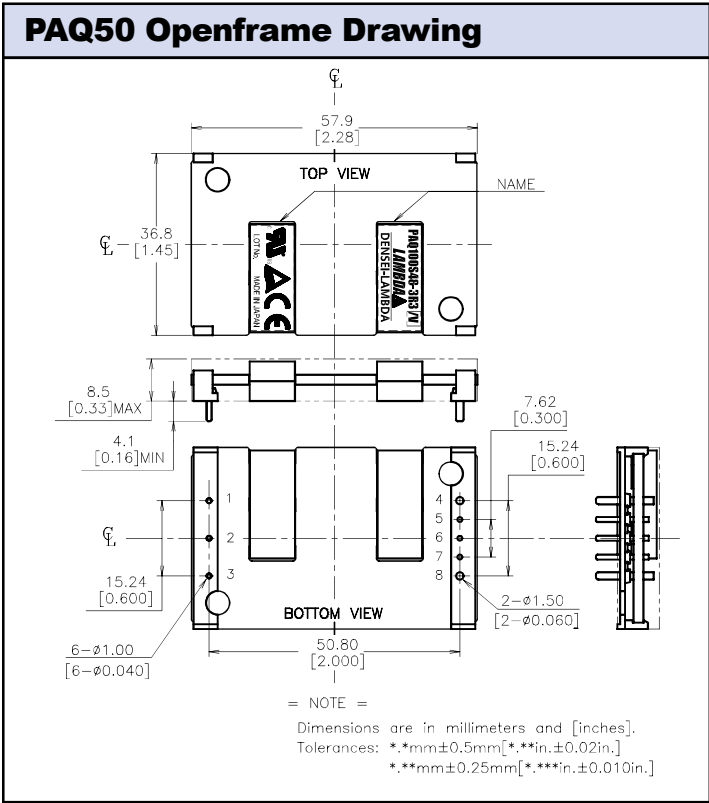
Open Frame

Specifications						
Model		PAQ50S48-1R2	PAQ50S48-1R8	PAQ50S48-2R5	PAQ50S48-3R3	PAQ50S48-5
Nominal Output Voltage	V	1.2	1.8	2.5	3.3	5
Max Output Current	A	12	12	12	12	10
Max Output Power	W	14.4	21.6	30	39.6	50
Efficiency (Typ.) (1)	%	78	83	85	88	90
Input Voltage Range	-	36 - 76VDC				
Input Current (Typ.) (1)	A	0.39	0.56	0.75	0.96	1.18
Output Voltage Accuracy (1)	%	±1				
Output Voltage Range (6)	-	-20%, +10%			±15%	
Max Ripple & Noise (6)	mV	100	100	100	100	100
Max Line Regulation (2)	mV	10	10	10	10	10
Max Load Regulation (3)	mV	10	10	10	10	10
Over Current Protection	-	105% - 150% (Self-Recovering /V option)				
Over Voltage Protection (4)	-	120% - 140% (Self-Recovering /V option)				
Remote ON/OFF Control	-	Low=On, Open=Off (/P option: Low=Off, Open=On)				
Operating Temperature (5)	C	Ta= -40° - +85°				
Cooling (5)	-	Convection Cooled / Forced air cooled				
Isolation Voltage	-	Input-Output : 1.5kVDC for 1min				
Shock	-	20G				
Weight (Typ.)	g	50				
Vibration	-	Non Operating, 10-55Hz (Sweep for 1min.)				
Size (W×H×D)	in	Amplitude 0.825mm Constant (Maximum 49.0m/s <sup>2</sup> ) X, Y, Z 1 hour each 1.45" x .33" x 2.3"				
Warranty	yrs	Two years				

Notes:

- (1) At 48VDC, maximum output current, Air Velocity = 2m/s and Ta = +25°.
- (2) 36 - 76VDC, constant load.
- (3) No load - Full load, constant input voltage.
- (4) Inverter shutdown method, manual reset. Auto restart option available.
- (5) Refer to derating curve.
- (6) External components are needed for operation.

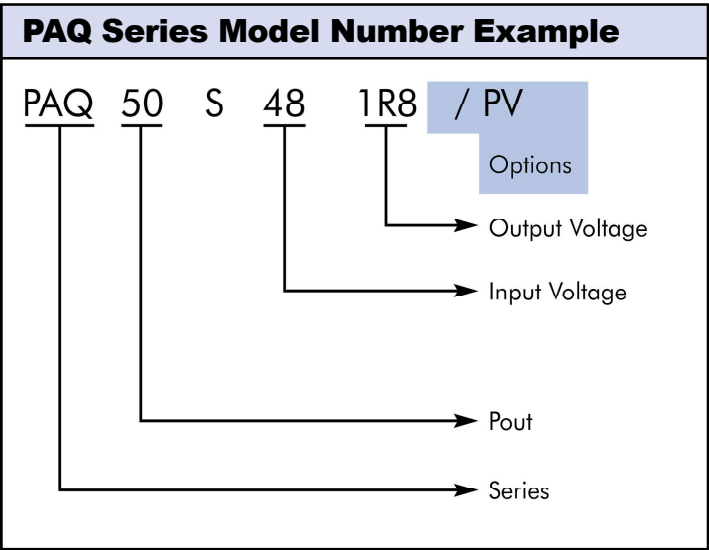
## Last Time Buy November 2019



### PAQ Series Options

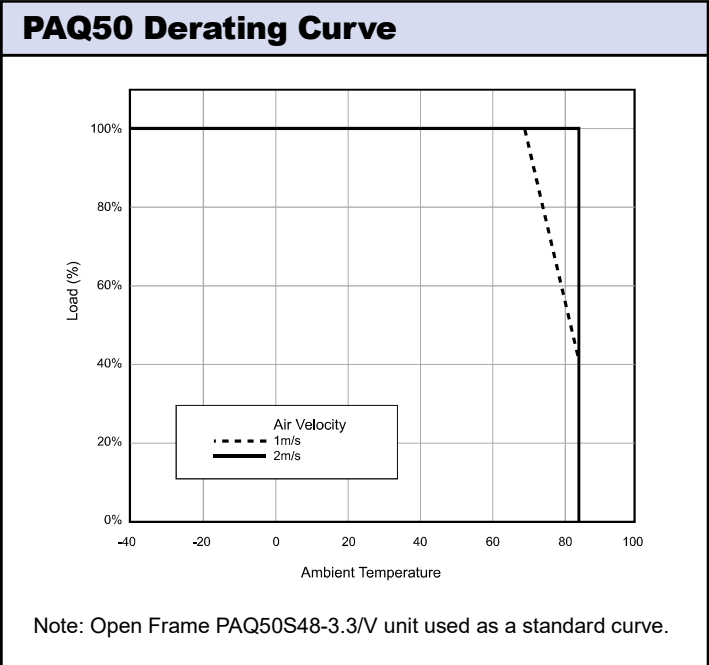
Suffix	Description
Blank	Manual Reset after OVP or OCP condition
/V	Auto Reset after OVP or OCP condition
/P	Positive Logic Remote On/Off

/V, /PV are Standard US stock items.



### Pinout

PIN#	Label	Function
1	-Vin	Negative Input Terminal
2	CNT	ON/OFF Control Terminal
3	+Vin	Positive Input Terminal
4	-V	Negative Output Terminal
5	-S	Negative Remote Sensing
6	TRM	Output Voltage Adjustment Terminal
7	+S	Positive Remote Sensing
8	+V	Positive Output Terminal



For Additional Information, please visit [us.tdk-lambda.com/lp/products/paq-series.htm](http://us.tdk-lambda.com/lp/products/paq-series.htm)



## Last Time Buy November 2019