

Electrical Specifications

■	□ - □ □□□ □
■	□□
■	□
■	□
■	□ □□□
■	□
■	□
■	□
■	□ □
■	□
■	□

Mechanical Specifications

■	□ □□□ □
■	□ - □
■	□ - □
■	□ □□□ □

Environmental Specifications

■	□ □ □
■	□
■	□

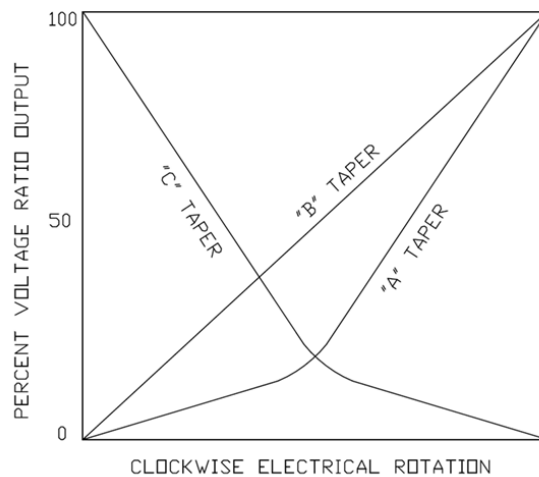
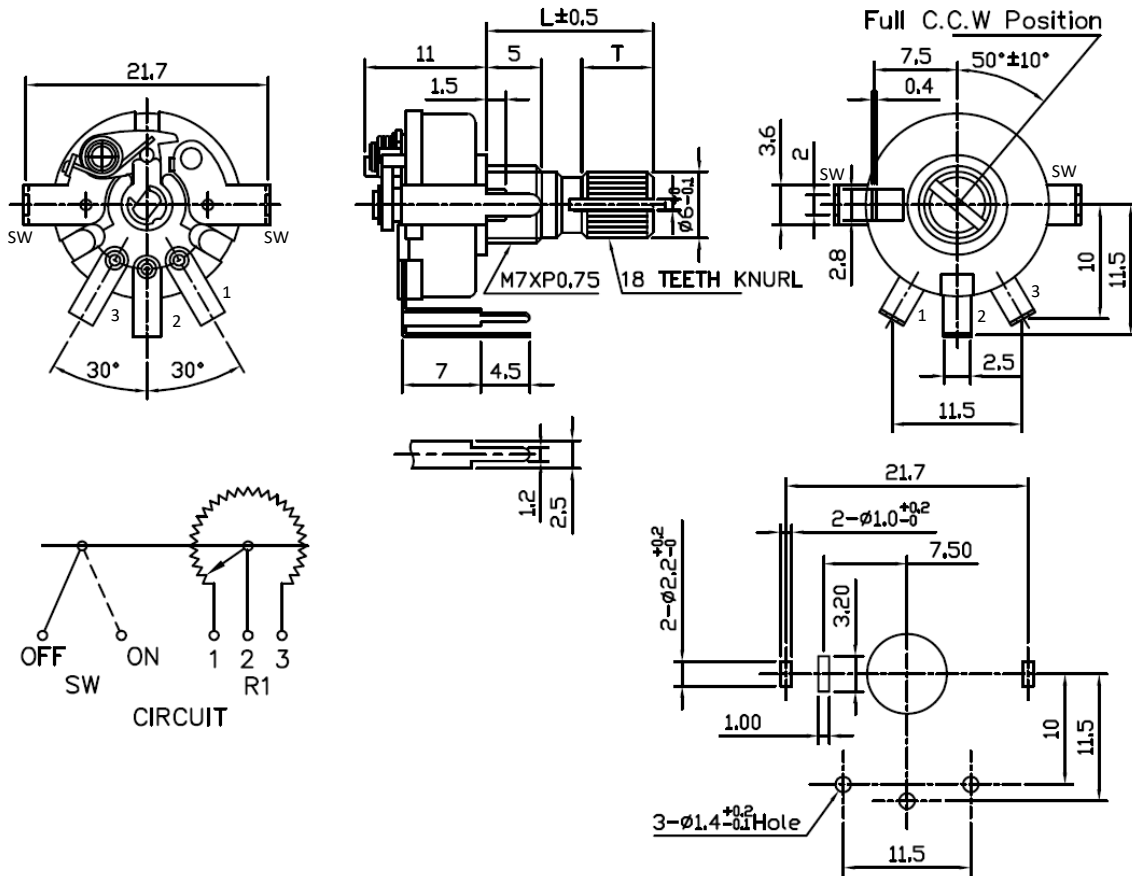
17mm Rotary Potentiometer

P170



Outline Drawings

MODEL P170SPD (Rear Adjust, PCB Pins with Switch)



General Note
 TT Electronics reserves the right to make changes in product specification without notice or liability. All information is subject to TT Electronics' own data and is considered accurate at time of going to print.

© TT electronics plc

TT Electronics | BI Technologies
 413 Rood RD, Suite 7
 Calexico, CA 92231
 Ph: +1 714 447 2345
 www.ttelectronics.com/bi-technologies