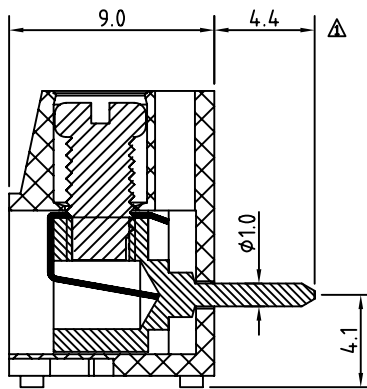
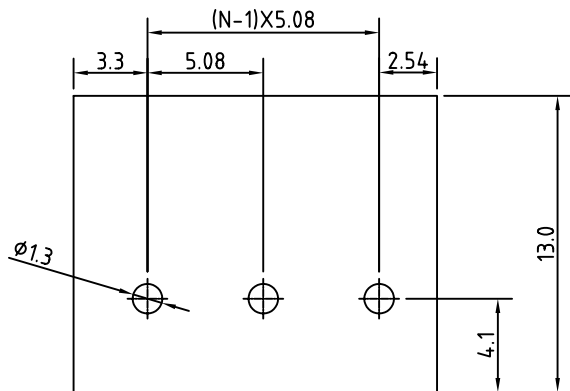


P.C.B. LAYOUT



SIGN	DATE	DESCRIPTION	APPROVER
△	6.18	The dimension changed from 3.5 to 4.4.	Shi Jun
△			
△			

Technical Data:

Material:

- Contact(metal housing): Brass (CuZn)
- Terminal screw: Steel galvanized and chromate or Nickel plated or Tin plated(standard)(option)
- Wire guard: Stainless steel
- Surface of solder tail: tin plated
- Insulator body(housing): Polyamide(Glass filled)(UL94V-0)
- Standard Color: Blue

Electrical:

- Voltage rating: 250VAC
- Current rating: 16 Amps/way max
- Contact resistance: 20mΩ(max)
- Insulation resistance: 5000MΩ/1000V
- Withstanding Voltage: 1500VAC(1min) Test time=60sec/1pcs
- Wire range: 14-22AWG/(0.3256~2.081)mm²

Mechanical:

- Torque: 4kg-cm/M3
- Operating temperature: -33°C to +120°C
- Soldering ability: 95%coverage(min)
Test temperature= 230°C±10°C
Test time= 4sec±0.5sec
- Soldering reliability:
Test temperature= 250°C±10°C
5 seconds max

Safety approval data:



THESE DRAWINGS AND SPECIFICATIONS ARE THE PROPERTY OF ON-SHORE TECHNOLOGY, INC. AND SHALL NOT BE REPRODUCED, COPIED OR USED IN ANY MANNER WITHOUT THE PRIOR WRITTEN CONSENT OF ON-SHORE TECHNOLOGY, INC.



PART. NAME: OSTTB - 5.08mm Series				TITLE:	
PART. NO.: OSTTBXX2161 (XX DENOTES NUMBER OF POSITIONS)				DWG NAME: OSTTBXX2161.DWG	
APPROVED BY	CHECKED BY	DESIGNED BY	DRAWN BY	CUSTOM NO.:	Tolerance x. ±0.50 x.x ±0.30 x.xx ±0.10 xx° ±1°
Bill 2002.06.20	Rock Liao 2002.6.20	Shi Jun 2002.6.18	Peak 2002.6.18	UNITS: mm SCALE: 4/1 REVISION: B2	