

FEATURES

- Molded insulation for high dielectric strength.
- Rugged construction.
- Available in Resistor Cabinet Assortments & 100 pc packs.
- High surge capabilities.
- Comparable to "Mil" RC07, RC20, and RC32 types.

SPECIFICATIONS

Material

Terminals: Solder-coated copper lead.

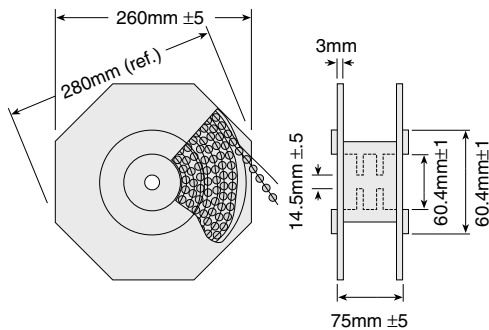
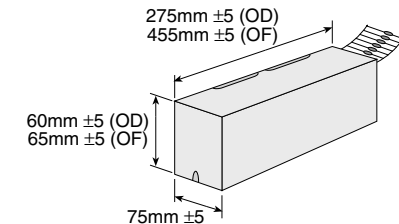
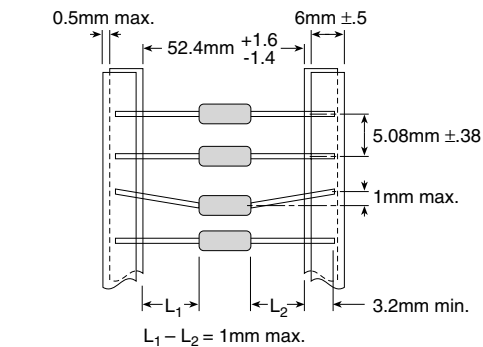
Body: Molded Phenolic

Electrical

Tolerance: ±5% (OD/OF); ±10% (OA)

Derating: Linearly from 100% @ +70°C to 0% @ 130°C

PACKAGING



Tape/Reel	OD	OF
Qty./reel	5000	3000
Reel size (mm)	260	260
Qty./carton	40,000	24,000
Gross carton wt. (kg)	12	13
Carton size (m ³)	0.04	0.04

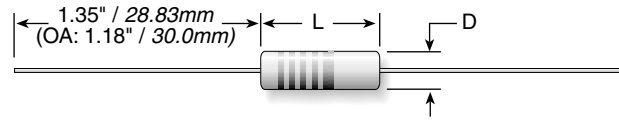
Ammo Box	OD	OF
Tape width (mm)	52	52
Qty./box	2000	2000
Qty./carton	30,000	30,000
Gross carton wt. (kg)	10	16
Carton size (m ³)	0.03	0.05

Ohmite's Little Demons are small, reliable carbon composition resistors with exceptional strength. They are made tough by a molding process that combines the leads, insulation and resistive element into an integrated unit. Along with their small size, Little Demons perform with low noise, dissipate heat rapidly and offer high temperature stability.

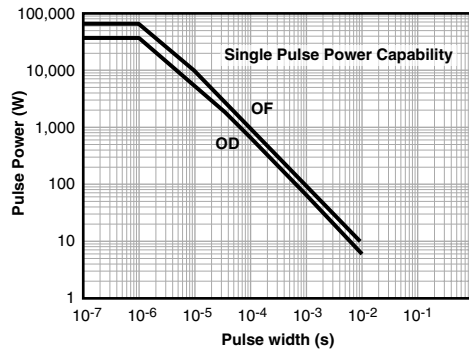
Color codes are readable even after prolonged use thanks to a very durable coating that resists abrasions and chipping normally associated with automatic insertion equipment.

Little Demon[®]

Carbon Composition Molded Resistors OD/OF Series (5% Tol.) OA Series (10%)



Series	Wattage	Ohms	Dimensions (in. / mm)		Max. Dielectric		
			Length	Max Diam.	Voltage	VAC	Lead Dia.
OD	0.25	2.2-5.6M	0.276 / 7.0	0.098 / 2.5	250	500	.027 / .69
OF	0.50	2.2-20M	0.406 / 10.3	0.150 / 3.8	350	700	.029 / .75
OA	1.00	2.2-1M	0.591 / 15.0	0.236 / 6.0	500	1000	.035 / .92



ORDERING INFO

E = RoHS compliant
Available Jan. 2006

OD 683 J E

Series	Ohms	Tolerance
OD	68G = 6.8	J = 5%
OF	680 = 68	K = 10%
OA	681 = 680	
	682 = 6,800	
	683 = 68,000	
	684 = 680,000	

STOCK PART NUMBERS FOR STANDARD RESISTANCE VALUES

Ohmic value	Wattage			Ohmic value	Wattage			Ohmic value	Wattage			Ohmic value	Wattage	
	0.25	0.50	1.0		0.25	0.50	1.0		0.25	0.50	1.0		0.25	0.50
2.2	✓	✓	✓	56	✓	✓	✓	1,500	✓	✓	✓	39,000	✓	✓
2.4	✓	✓	✓	62	✓	✓	✓	1,600	✓	✓	✓	43,000	✓	✓
2.7	✓	✓	✓	68	✓	✓	✓	1,800	✓	✓	✓	47,000	✓	✓
3	✓	✓	✓	75	✓	✓	✓	2,000	✓	✓	✓	51,000	✓	✓
3.3	✓	✓	✓	82	✓	✓	✓	2,200	✓	✓	✓	56,000	✓	✓
3.6	✓	✓	✓	91	✓	✓	✓	2,400	✓	✓	✓	62,000	✓	✓
3.9	✓	✓	✓	100	✓	✓	✓	2,700	✓	✓	✓	68,000	✓	✓
4.3	✓	✓	✓	110	✓	✓	✓	3,000	✓	✓	✓	75,000	✓	✓
4.7	✓	✓	✓	120	✓	✓	✓	3,300	✓	✓	✓	82,000	✓	✓
5.1	✓	✓	✓	130	✓	✓	✓	3,600	✓	✓	✓	91,000	✓	✓
5.6	✓	✓	✓	150	✓	✓	✓	3,900	✓	✓	✓	100,000	✓	✓
6.2	✓	✓	✓	160	✓	✓	✓	4,300	✓	✓	✓	110,000	✓	✓
6.8	✓	✓	✓	180	✓	✓	✓	4,700	✓	✓	✓	120,000	✓	✓
7.5	✓	✓	✓	200	✓	✓	✓	5,100	✓	✓	✓	130,000	✓	✓
8.2	✓	✓	✓	220	✓	✓	✓	5,600	✓	✓	✓	150,000	✓	✓
9.1	✓	✓	✓	240	✓	✓	✓	6,200	✓	✓	✓	160,000	✓	✓
10	✓	✓	✓	270	✓	✓	✓	6,800	✓	✓	✓	180,000	✓	✓
11	✓	✓	✓	300	✓	✓	✓	7,500	✓	✓	✓	200,000	✓	✓
12	✓	✓	✓	330	✓	✓	✓	8,200	✓	✓	✓	220,000	✓	✓
13	✓	✓	✓	360	✓	✓	✓	9,100	✓	✓	✓	240,000	✓	✓
15	✓	✓	✓	390	✓	✓	✓	10,000	✓	✓	✓	270,000	✓	✓
16	✓	✓	✓	430	✓	✓	✓	11,000	✓	✓	✓	300,000	✓	✓
18	✓	✓	✓	470	✓	✓	✓	12,000	✓	✓	✓	330,000	✓	✓
20	✓	✓	✓	510	✓	✓	✓	13,000	✓	✓	✓	360,000	✓	✓
22	✓	✓	✓	560	✓	✓	✓	15,000	✓	✓	✓	390,000	✓	✓
24	✓	✓	✓	620	✓	✓	✓	16,000	✓	✓	✓	430,000	✓	✓
27	✓	✓	✓	680	✓	✓	✓	18,000	✓	✓	✓	470,000	✓	✓
30	✓	✓	✓	750	✓	✓	✓	20,000	✓	✓	✓	510,000	✓	✓
33	✓	✓	✓	820	✓	✓	✓	22,000	✓	✓	✓	560,000	✓	✓
36	✓	✓	✓	910	✓	✓	✓	24,000	✓	✓	✓	620,000	✓	✓
39	✓	✓	✓	1,000	✓	✓	✓	27,000	✓	✓	✓	680,000	✓	✓
43	✓	✓	✓	1,100	✓	✓	✓	30,000	✓	✓	✓	750,000	✓	✓
47	✓	✓	✓	1,200	✓	✓	✓	33,000	✓	✓	✓	820,000	✓	✓
51	✓	✓	✓	1,300	✓	✓	✓	36,000	✓	✓	✓	910,000	✓	✓
												1 MEG	✓	✓