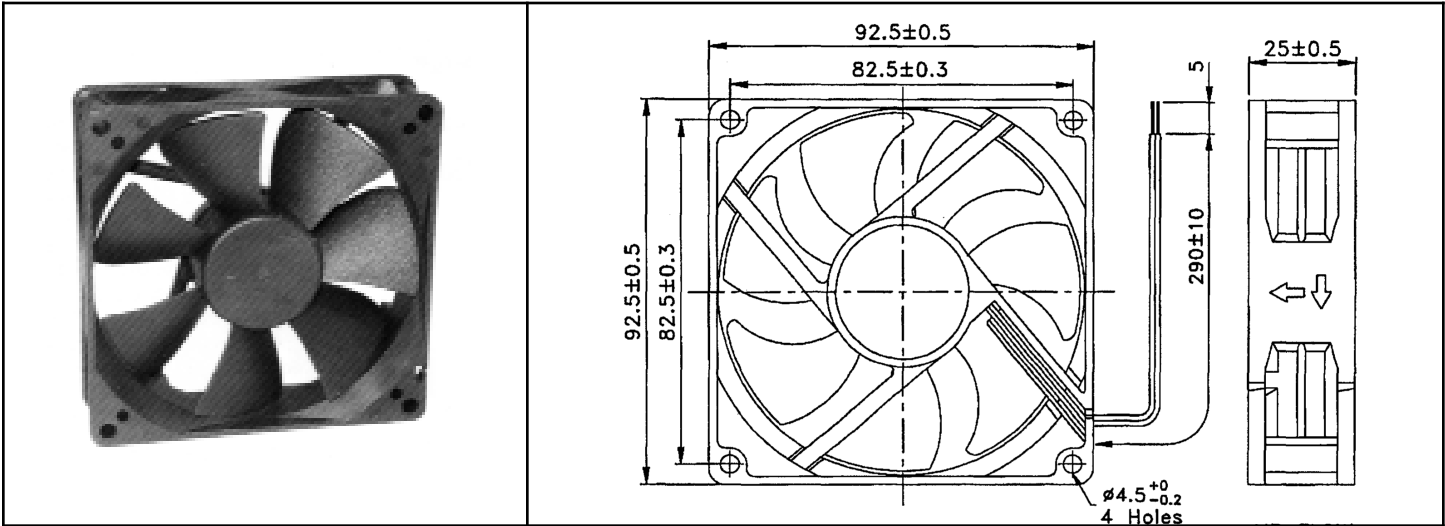


OD9225 Series



DC Fan - 12V, 24V
92x25 (3.62"x 1.00")



Frame & Impeller	PBT, UL94V-O plastic	Available Options: Sleeve Bearing Ball Bearing Tachometer Alarm Thermal control PWM Input IP55 48V & 5V <u>Life Expectancy (L10)</u> 50,000+ hrs <u>Operating Temperature</u> -10 ~ 70C	
Connection	2x Lead wires		
Motor	Brushless DC, auto restart, polarity protected		
Bearing System	Sealed Sleeve		
Insulation Resistance	10M ohm between leadwire and frame (500VDC)		
Dielectric Strength	1 second at 500 VAC, max leakage - 500 MicroAmp		
Storage Temperature	-30C ~ +90C		

Model Number	OD9225-12HSS	OD9225-24HSS
Part Number	193143001	193243001
Nominal Voltage	12 VDC	24 VDC
Nominal Current	0.25	0.15 A
Rated Power	2.9 W	3.4 W
Rated Speed (RPM)	2900	2900
Airflow (CFM)	52	52
Noise Level (dB)	35	35
Max. Static Pressure	0.13" H ₂ O	0.13" H ₂ O