

Ohmite's Little Demons are small, reliable carbon composition resistors with exceptional strength. They are made tough by a molding process that combines the terminals, insulation and resistive element into an integrated unit. Along with their small size, Little Demons perform with low noise, dissipate heat rapidly and offer high temperature stability.

Color codes are readable even after prolonged use thanks to a very durable coating that resists abrasions and chipping normally associated with automatic insertion equipment.

## FEATURES

- Molded insulation for high dielectric strength.
- Rugged construction.
- High surge capabilities.
- Comparable to "Mil" RC07, RC20, and RC32 types.

## SPECIFICATIONS

### Material

**Terminals:** Solder-coated copper terminal.

**Body:** Molded Phenolic

### Electrical

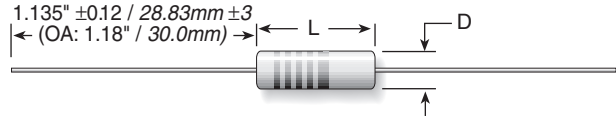
**Tolerance:** ±5% (OD/OF); ±10% (OA)

**Derating:** Linearly from 100% @ +70°C to 0% @ 130°C



# Little Demon®

## Carbon Composition Molded OD/OF Series (5% Tol.) OA Series (10%)



Series	Wattage	Ohms	Tol.	Dimensions (in. / mm)		Max. Dielectric		
				Length	Max Diam.	Voltage VAC	Lead Dia.	
OD	0.25	2.2-5.6M	±5%	0.276 / 7.0	0.098 / 2.5	250	500	0.024/0.60
OF	0.50	2.2-20M	±5%	0.406 / 10.3	0.150 / 3.8	350	700	0.028/0.70
OA	1.00	2.2-1M	±10%	0.591 / 15.0	0.236 / 6.0	500	1000	0.035/0.92

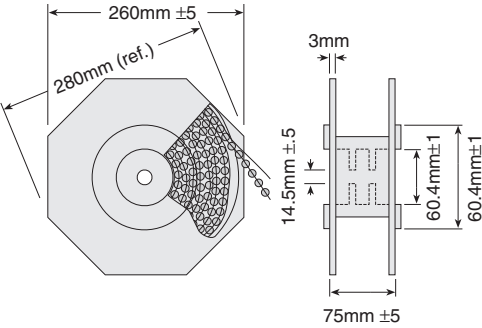
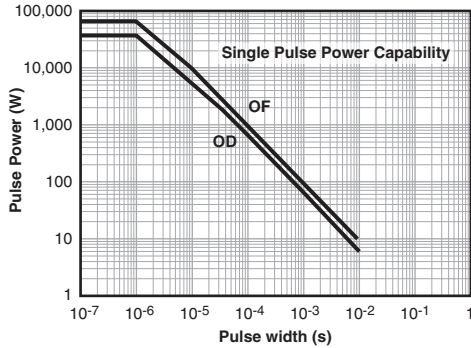
**ORDERING INFO**

Tape & reel  
optional

RoHS compliant

**OD 683 JE -TR**

Series	Ohms	Tolerance
OD 68G =	6.8	OD, OF: J = 5%
OF 680 =	68	OA: K = 10%
OA 681 =	680	
682 =	6,800	
683 =	68,000	
684 =	680,000	



Tape/Reel	OD	OF
Qty./reel	5000	3000
Reel size (mm)	260	260
Qty./carton	40,000	24,000
Gross carton wt. (kg)	12	13
Carton size (m <sup>3</sup> )	0.04	0.04
<b>Ammo Box</b>	<b>OD</b>	<b>OF</b>
Tape width (mm)	52	52
Qty./box	2000	2000
Qty./carton	30,000	30,000
Gross carton wt. (kg)	10	16
Carton size (m <sup>3</sup> )	0.03	0.05

## STANDARD PART NUMBERS FOR LITTLE DEMON SERIES

Wattage			Wattage			Wattage			Wattage			Wattage			Wattage		
Ohmic value	Part No. Prefix Suffix	OD-0.25 OF-0.5 OA*1.0	Ohmic value	Part No. Prefix Suffix	OD-0.25 OF-0.5 OA*1.0	Ohmic value	Part No. Prefix Suffix	OD-0.25 OF-0.5 OA*1.0	Ohmic value	Part No. Prefix Suffix	OD-0.25 OF-0.5 OA*1.0	Ohmic value	Part No. Prefix Suffix	OD-0.25 OF-0.5 OA*1.0	Ohmic value	Part No. Prefix Suffix	OD-0.25 OF-0.5 OA*1.0
2.2	-22GJE	✓✓✓	33	-330JE	✓✓✓	470	-471JE	✓✓✓	6800	-682JE	✓✓✓	100,000	-104JE	✓✓✓	1.5M	-155JE	✓✓✓
2.4	-24GJE	✓✓✓	36	-360JE	✓✓✓	510	-511JE	✓✓✓	7500	-752JE	✓✓✓	110,000	-114JE	✓✓✓	1.6M	-165JE	✓✓✓
2.7	-27GJE	✓✓✓	39	-390JE	✓✓✓	560	-561JE	✓✓✓	8200	-822JE	✓✓✓	120,000	-124JE	✓✓✓	1.8M	-185JE	✓✓✓
3	-30GJE	✓✓✓	43	-430JE	✓✓✓	620	-621JE	✓✓✓	9100	-912JE	✓✓✓	130,000	-134JE	✓✓✓	2.0M	-205JE	✓✓✓
3.3	-33GJE	✓✓✓	47	-470JE	✓✓✓	680	-681JE	✓✓✓	10,000	-103JE	✓✓✓	150,000	-154JE	✓✓✓	2.2M	-225JE	✓✓✓
3.6	-36GJE	✓✓✓	51	-510JE	✓✓✓	750	-751JE	✓✓✓	11,000	-113JE	✓✓✓	160,000	-164JE	✓✓✓	2.4M	-245JE	✓✓✓
3.9	-39GJE	✓✓✓	56	-560JE	✓✓✓	820	-821JE	✓✓✓	12,000	-123JE	✓✓✓	180,000	-184JE	✓✓✓	2.7M	-275JE	✓✓✓
4.3	-43GJE	✓✓✓	62	-620JE	✓✓✓	910	-911JE	✓✓✓	13,000	-133JE	✓✓✓	200,000	-204JE	✓✓✓	3.0M	-305JE	✓✓✓
4.7	-47GJE	✓✓✓	68	-680JE	✓✓✓	1000	-102JE	✓✓✓	15,000	-153JE	✓✓✓	220,000	-224JE	✓✓✓	3.3M	-335JE	✓✓✓
5.1	-51GJE	✓✓✓	75	-750JE	✓✓✓	1100	-112JE	✓✓✓	16,000	-163JE	✓✓✓	240,000	-244JE	✓✓✓	3.6M	-365JE	✓✓✓
5.6	-56GJE	✓✓✓	82	-820JE	✓✓✓	1200	-122JE	✓✓✓	18,000	-183JE	✓✓✓	270,000	-274JE	✓✓✓	3.9M	-395JE	✓✓✓
6.2	-62GJE	✓✓✓	91	-910JE	✓✓✓	1300	-132JE	✓✓✓	20,000	-203JE	✓✓✓	300,000	-304JE	✓✓✓	4.3M	-435JE	✓✓✓
6.8	-68GJE	✓✓✓	100	-101JE	✓✓✓	1500	-152JE	✓✓✓	22,000	-223JE	✓✓✓	330,000	-334JE	✓✓✓	4.7M	-475JE	✓✓✓
7.5	-75GJE	✓✓✓	110	-111JE	✓✓✓	1600	-162JE	✓✓✓	24,000	-243JE	✓✓✓	360,000	-364JE	✓✓✓	5.1M	-515JE	✓✓✓
8.2	-82GJE	✓✓✓	120	-121JE	✓✓✓	1800	-182JE	✓✓✓	27,000	-273JE	✓✓✓	390,000	-394JE	✓✓✓	5.6M	-565JE	✓✓✓
9.1	-91GJE	✓✓✓	130	-131JE	✓✓✓	2000	-202JE	✓✓✓	30,000	-303JE	✓✓✓	430,000	-434JE	✓✓✓	6.2M	-625JE	✓✓✓
10	-100JE	✓✓✓	150	-151JE	✓✓✓	2200	-222JE	✓✓✓	33,000	-333JE	✓✓✓	470,000	-474JE	✓✓✓	6.8M	-685JE	✓✓✓
11	-110JE	✓✓✓	160	-161JE	✓✓✓	2400	-242JE	✓✓✓	36,000	-363JE	✓✓✓	510,000	-514JE	✓✓✓	7.5M	-755JE	✓✓✓
12	-120JE	✓✓✓	180	-181JE	✓✓✓	2700	-272JE	✓✓✓	39,000	-393JE	✓✓✓	560,000	-564JE	✓✓✓	8.2M	-825JE	✓✓✓
13	-130JE	✓✓✓	200	-201JE	✓✓✓	3000	-302JE	✓✓✓	43,000	-433JE	✓✓✓	620,000	-624JE	✓✓✓	9.1M	-915JE	✓✓✓
15	-150JE	✓✓✓	220	-221JE	✓✓✓	3300	-332JE	✓✓✓	47,000	-473JE	✓✓✓	680,000	-684JE	✓✓✓	10M	-106JE	✓✓✓
16	-160JE	✓✓✓	240	-241JE	✓✓✓	3600	-362JE	✓✓✓	51,000	-513JE	✓✓✓	750,000	-754JE	✓✓✓	11M	-116JE	✓✓✓
18	-180JE	✓✓✓	270	-271JE	✓✓✓	3900	-392JE	✓✓✓	56,000	-563JE	✓✓✓	820,000	-824JE	✓✓✓	12M	-126JE	✓✓✓
20	-200JE	✓✓✓	300	-301JE	✓✓✓	4300	-432JE	✓✓✓	62,000	-623JE	✓✓✓	910,000	-914JE	✓✓✓	13M	-136JE	✓✓✓
22	-220JE	✓✓✓	330	-331JE	✓✓✓	4700	-472JE	✓✓✓	68,000	-683JE	✓✓✓	1M	-105JE	✓✓✓	15M	-156JE	✓✓✓
24	-240JE	✓✓✓	360	-361JE	✓✓✓	5100	-512JE	✓✓✓	75,000	-753JE	✓✓✓	1.1M	-115JE	✓✓✓	16M	-166JE	✓✓✓
27	-270JE	✓✓✓	390	-391JE	✓✓✓	5600	-562JE	✓✓✓	82,000	-823JE	✓✓✓	1.2M	-125JE	✓✓✓	18M	-186JE	✓✓✓
30	-300JE	✓✓✓	430	-431JE	✓✓✓	6200	-622JE	✓✓✓	91,000	-913JE	✓✓✓	1.3M	-135JE	✓✓✓	20M	-206JE	✓✓✓

\* Shaded area: Change "J" in Suffix to "K"