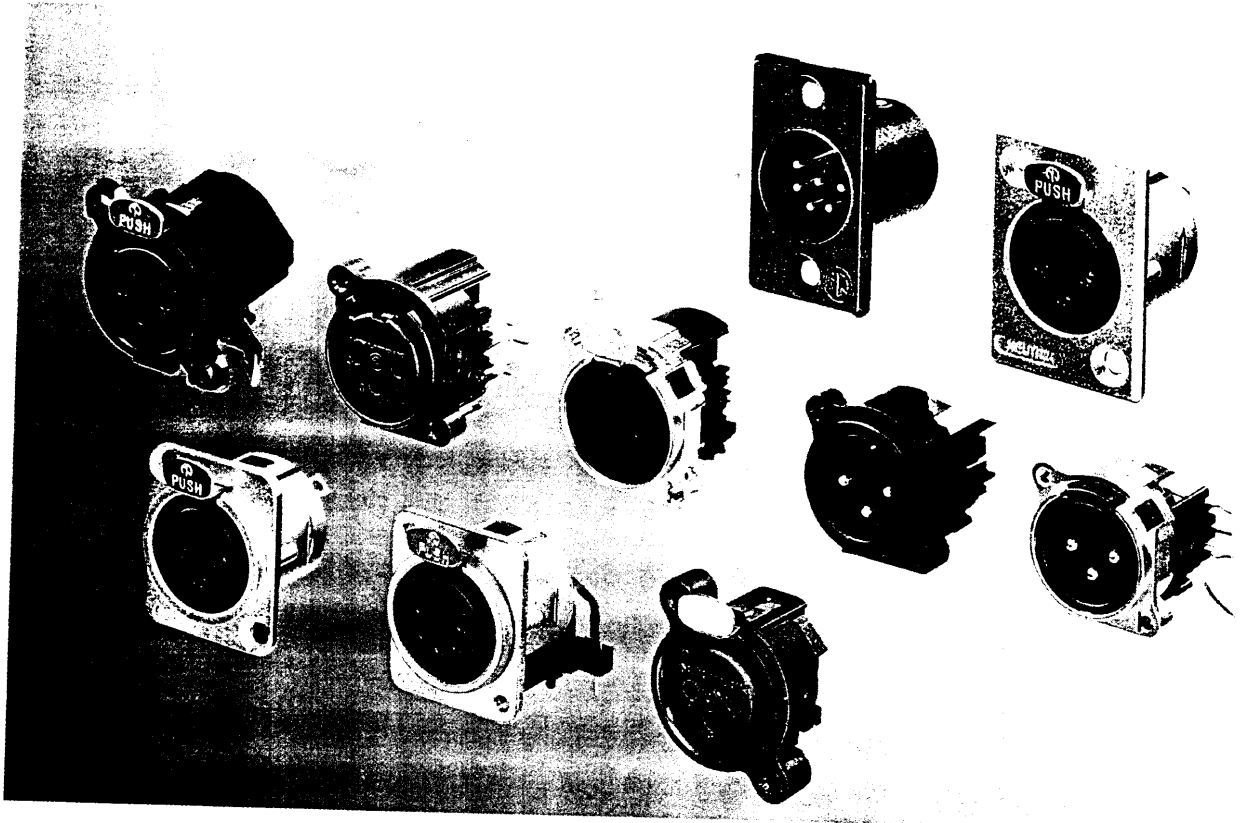


# Receptacles



*WE ARE SETTING STANDARDS*

- *Eight different series to cover all conceivable applications*
- *From the world largest and most innovative XLR-manufacturer*
- *Easy to assemble, simple to use*
- *Reliable, robust with a worldwide reputation*

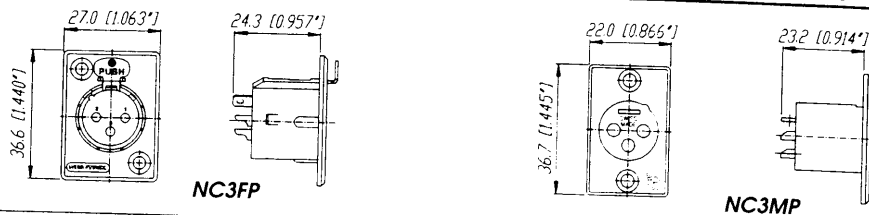
# PRODUCT FEATURES

# DIMENSIONAL DRAWINGS

(PCB layouts and dimensional drawings on request)

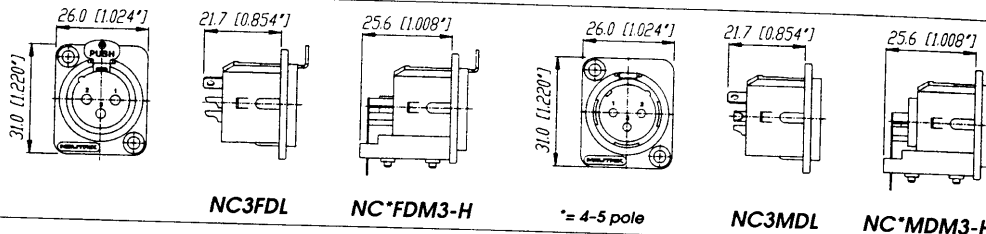
## P Series

Smallest available hard wiring "CLASSICS" Large solder cups.



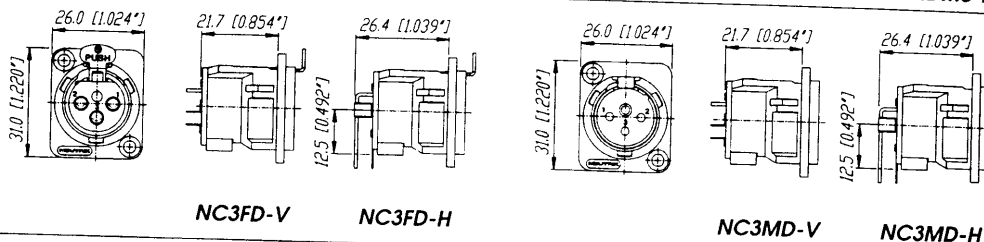
## DL Series

Unified metal shell for male and female. RF-protected. Solder cups, or PCB terminations (4 & 5 pole only).



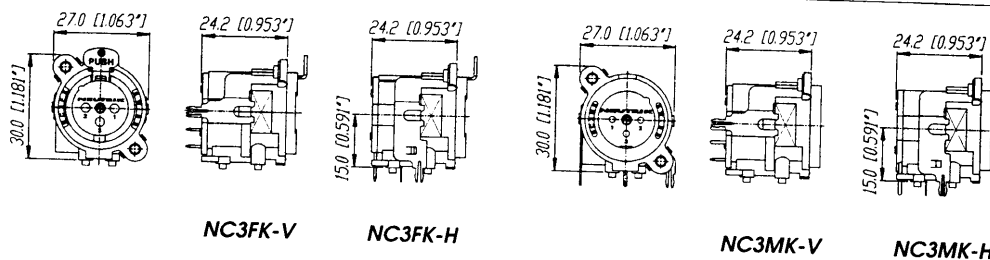
## D Series

Unified metal shell for male and female. Insert premounted to PCB, shell to enclosure, front locked / unlocked. RF-protected.



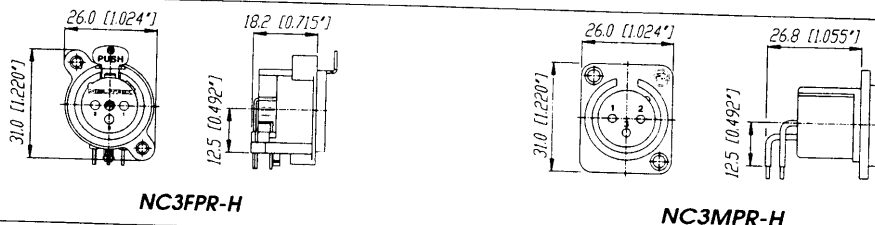
## K Series

Extremely versatile and cost effective concept. Metal brackets secure the socket to the PCB, machine insertable. M3-thread screw holes with panel-ground contacts.



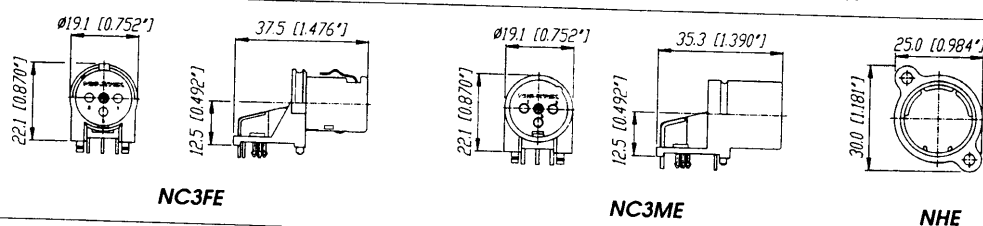
## R Series

Small size, low cost. XLR-sockets without ground contact, available with or without latch. Gold contacts on female.



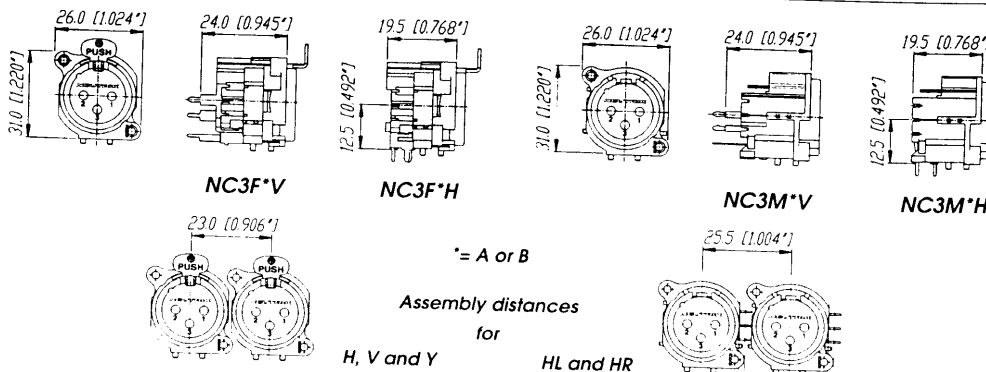
## E Series

Minimum weight, direct to the PCB, right angle sockets. Escutcheon available. Gold contacts on female.



## A and B Series

The new "State of the Art" receptacle. Smallest size / highest packing density. New designed contacts with polished contact areas and hard gold plating. TF-contacts. Variety of shell and chassis grounding facilities, direct "Pin 1" to chassis ground connection available. Special B series version with additional ground contacts for better RF-protection available.



\* = A or B

Assembly distances for

H, V and Y

HL and HR

# Type Nr. CODING

# SPECIAL VERSIONS/ REMARKS

# SPECIFICATIONS

## TYPE SPECIFIC

## COMMON

SHELL CONT. FEMALE MALE

(unless otherwise stated)

Nickel	Silver	NC*FP	NC**MP
Black Cr	Gold	NC*FP-B	NC**MP-B
	Silver	NC3FP-BAG	NC3MP-BAG

Compatibility:  
Switchcraft® DxM, DxF  
Cannon XLRx31, XLRx32  
Dimensionally with D series

**ELECTRICAL**  
Number of contacts: 3-7  
(except MP: 3-6)  
Rated current:  
see chart under common specs.

**ELECTRICAL**  
Rated voltage: 250 V ac  
Dielectric strength: 1500 V dc  
Contact resistance:  $\leq 5 m\Omega$   
Insulation resistance (Initial):  $>2 \cdot 10^8 \Omega$   
Insulation resistance after damp heat test:  $>1 \cdot 10^8 \Omega$

\*= 3-7 pole \*\*= 3-6 pole

Nickel	Silver	NC*FDL	NC*MDL
Black Cr	Gold	NC*FDL-B	NC*MDL-B
	Silver	NC*FDL-BAG	NC*MDL-BAG

PCB versions (4 & 5 pole):  
horizontal PCB mounting,  
fastening by chassis mounting  
holes with M3 threads or by self  
tapping PT® screws with thread  
2.9x1.06 (tri-rondular) direct to  
PCB

**MATERIALS**  
Shell: ZnAlCu1, gal Ni or  
black chromium (Cr) plating  
Contacts - female (4-7 pole)  
& male:  
CuZn39Pb3  
Contact surface: gal 2  $\mu m$   
Ag or gal 0.3  $\mu m$  Au hard  
alloy over 2  $\mu m$  Ni

P-, DL-Series:

x	I (A)	□ (mm <sup>2</sup> /AWG)	C (pF)
3	16	2.5/14	$\leq 4$
4	10	1.5/16	$\leq 7$
5	7.5	1.0/18	$\leq 7$
6	7.5	1.0/18	$\leq 7$
7	5	1.0/18	$\leq 9$

Nickel	Silver	NC+FDM3-H	NC+MDM3-H
Black Cr	Silver	NC+FDM3-H-BAG	NC+MDM3-H-BAG

+ = 4 or 5 pole

Nickel	Silver	NC3FD-V	NC3MD-V
Black Cr	Gold	NC3FD-V-B	NC3MD-V-B
	Silver	NC3FD-V-BAG	NC3MD-V-BAG

Mounting holes with M3 threads:  
add suffix "-M3"

**ELECTRICAL**  
Number of contacts: 3  
Rated current: 6 A

x ... No. of contacts  
I ... Rated current per contact  
□ ... Max. wire size  
C ... Capacitance between contacts

Nickel	Silver	NC3FD-H	NC3MD-H
Black Cr	Gold	NC3FD-H-B	NC3MD-H-B
	Silver	NC3FD-H-BAG	NC3MD-H-BAG

Females:  
Retention spring instead of latch:  
add suffix "-0"

**MATERIALS**  
Shell: ZnAlCu1, gal Ni or  
black Cr plating  
Contacts:  
- male: CuZn39Pb3  
Contact surface:  
gal 2  $\mu m$  Ag or gal 0.3  $\mu m$   
Au hard alloy over 2  $\mu m$  Ni

### MECHANICAL

Insertion / withdrawal force:  
 $\leq 20 N / \leq 10 N$   
Retention method:  
- standard: latch lock  
- "-0" version: retention spring  
Separating force:  $\geq 20 N$

PA 6.6 GR	Silver	-	NC3MK-V
	Gold	NC3FK-V	-
	Silver	-	NC3MK-H
	Gold	NC3FK-H	-

Version without brackets:  
contact factory

**ELECTRICAL**  
Number of contacts: 3  
Rated current: 6 A

### ENVIRONMENTAL

Temperature range: -30°C to +80°C  
Flammability: UL 94HB  
Solderability:  
complies with IEC 68-2-20

PA 6.6 GR	Silver	-	NC3MPR-H
	Gold	NC3FPR-H	-

Compatibility:  
Cannon XLB  
Switchcraft PQG

**MATERIALS**  
Shell (Insert): PA 6.6 30% GR  
Contacts:  
- male: CuZn35Pb2  
Contact surface:  
- female: 0.5  $\mu m$  Au cladded  
- male: gal 2  $\mu m$  Ag

### MATERIALS

Insert: PA 6.6 30% GR  
(glass reinforced)  
Contacts: - female (3-pole): CuSn6  
Latch lock & spring:  
CK 67 steel, treated

PA 6.6 GR	Silver	-	NC3ME-H
	Gold	NC3FE-H	-

Females:  
Retention spring instead of latch:  
add suffix "-0"

**ELECTRICAL**  
Number of contacts: 3

### REMARKS

Version with IDC wiring:  
Applicable wire size AWG 24 and 26  
Special version for B series with additional  
ground contacts: add suffix "E"  
Special non quoted versions available  
on request.

PA 6.6 GR	Silver	-	NC3ME-H
	Gold	NC3FE-H	-

Females:  
Retention spring instead of latch:  
add suffix "-0",  
no ground contact

**MATERIALS**  
Shell (Insert): PA 6.6 30% GR  
Contacts:  
- male: CuZn35Pb2  
Contact surface:  
- female: 0.5  $\mu m$  Au cladded  
- male: gal 2  $\mu m$  Ag

PA 6.6 GR	Silver	-	NC3ME-H
	Gold	NC3FE-H	-

Vertical versions:  
contact factory

**ELECTRICAL**  
Number of contacts: 3

**Fastening:**  
A-series: self tapping PT® screws with  
thread 2.9x1.06 and tri-rondular  
configuration  
B-series: TAPTITE® screws M2.5 (tri-rondular)

PA 6.6 GR	Silver	-	NC3ME-H
	Gold	NC3FE-H	-

Accessory:  
Snap on escutcheon NHE with  
mounting holes for selftapping  
screws PT-K30  
Compatibility:  
Switchcraft RAPC series

**MATERIALS**  
Shell (Insert): PA 6.6 30% GR  
Contacts:  
- male: CuZn35Pb2  
Contact surface:  
- female: 0.5  $\mu m$  Au cladded  
- male: gal 2  $\mu m$  Ag

## FEMALE

## MALE

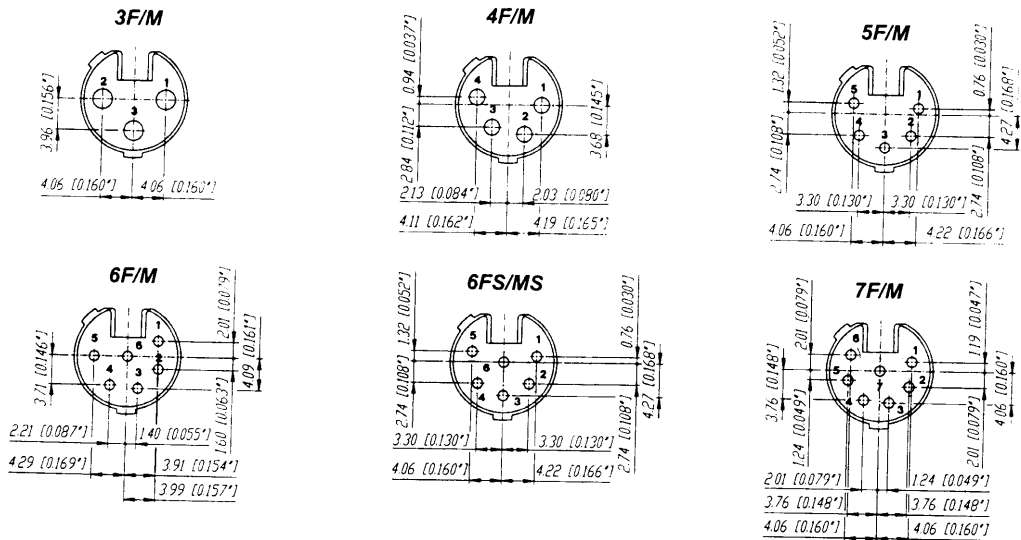
Series	Termination	Grounding	Retention / Shell
NC3F	X	X	X
A			# plastic shell & latch lock
			-0 plastic shell & retention spring
B			# Ni metal shell
			-B black Cr metal shell
H			horizontal PCB
V			vertical PCB
HR			lateral right PCB
HL	1		lateral left PCB
Y	#		IDC
	1		pin *1* & ground connected
	2		ground separated

Series	Termination	Shell lock
NC3M	X	X
A		# plastic shell
B		# Ni metal shell
		-B black Cr metal shell
H		horizontal PCB
V		vertical PCB
HR		lateral right PCB
HL		lateral left PCB
Y		IDC

# ... skip this place

# CONTACT ARRANGEMENTS

FEMALE: Mating side  
MALE: Wiring side

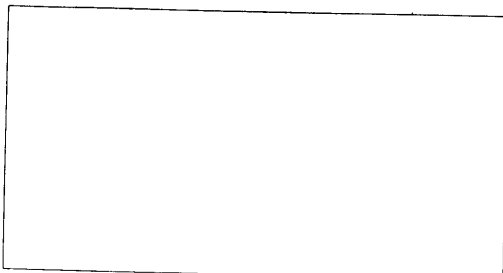


## NEUTRIK "THE CONNECTOR INNOVATORS"

- The "Chuck Principle" Strain Relief
- The Helicon® Contact
- The first Unified Male-Female XLR Receptacle
- The first Rear Mount XLR Receptacle
- The first direct to PCB XLR Receptacle
- The Screwless Cable Connector
- The Smallest Cable Connector
- The first Locking Phone Jack
- The first Fully Modular Connecting System
- The first Die-Cast Phone Plug
- The first Heavy Duty Waterproof XLR Connector
- The first Safety-Proof & AVC-Proof Speaker-Amplifier Connecting System
- The first Fully Crimped 1/4" Plug
- The first "Ground Before Signal" Phono Plug
- The Smallest XLR Socket
- The first 1/4" Jack with separated retention
- The first Bantam Plug with separated retention and gold contacts
- The first combined Jack-XLR Receptacle
- The smallest and most universal XLR Receptacle

- (C Series et al.) 1975
- 1975
- (D Series) 1980
- (D Series) 1980
- (D Series) 1980
- (X Series) 1981
- (X Series) 1981
- (J Series) 1981
- (NEUTRICON®) 1982
- (P Series) 1983
- (HD Series) 1986
- (SPEAKON®) 1987
- (KIK) 1988
- (PROFI) 1989
- (R Series) 1990
- (J Series) 1990
- (TT Series) 1991
- (Combo) 1992
- (A/B Series) 1995

REPRESENTED AND SERVICED BY:



**Neutrik AG**  
 Liechtenstein  
 Tel.: 075/237 24 24  
 Fax.: 075/232 53 93

**Neutrik USA INC.**  
 USA  
 Tel.: 908/901 9488  
 Fax.: 908/901 9608

**Neutrik UK**  
 Great Britain  
 Tel.: 019 83/811 441  
 Fax.: 019 83/811 439

**Neutrik Zürich AG**  
 Switzerland  
 Tel.: 01/734 0400  
 Fax.: 01/734 3891



**NEUTRIK**  
 CONNECTING THE WORLD