

3M™ Pak 100 4-Wall Header

.100" × .100" Low Profile, Straight and Right Angle

2500 Series



- Low profile, space saving design
- RoHS* compliant
- Center slot polarization prevents mis-insertions and reduces insertion time
- Dual slot polarization means broader compatibility with competitive polarization designs
- Optional retainer clip for locking sockets in place and increasing connection reliability in vibration-prone environments
- High temperature insulator suitable for “no lead” soldering operations
- Suitable for reflow soldering using “paste in hole” techniques
- Exposed solder tails (on right angle version) provide ease of cleaning and reduced repair costs

Date Modified: April 1, 2005

TS-0770-13
Sheet 1 of 4

Physical

Insulator

Material: Glass Filled Polyester (PCT)
Flammability: UL 94V-0
Color: Black

Contact

Material: Copper Alloy

Plating

Underplating: 100 μ" [2.54 μm] Nickel - Overall
Wiping Area: 30 μ" [0.76 μm] Gold
Solder Tails: 200 μ" [5.08 μm] Matte Tin
Terminal Finish Indicator: e3 (per JESD97)

Marking: 3M Logo, Part Identification Number and Orientation Triangle

Electrical

Current Rating: 2 A
Insulation Resistance: $>1 \times 10^9 \Omega$ at 500 Vdc
Withstanding Voltage: 1000 Vrms at Sea Level

Environmental

Temperature Rating: -55°C to +105°C
Process Rating: Maximum 260°C, single pass, (profile per J-STD-020C)
Moisture Sensitivity Level: 1 (per J-STD-020C)

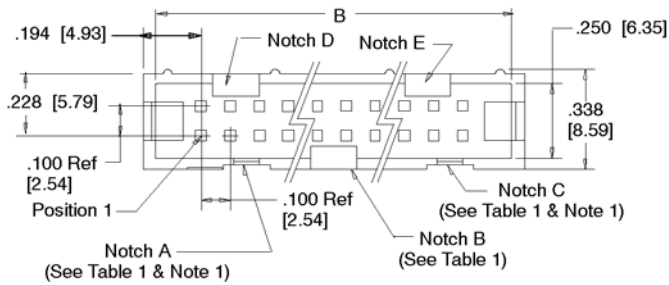
UL File No.: E68080

RoHS = Directive 2002/95/EC -
Restriction of the Use of Certain Hazardous Substances in Electrical and Electronic Equipment

3M™ Pak 100 4-Wall Header

.100" × .100" Low Profile, Straight and Right Angle

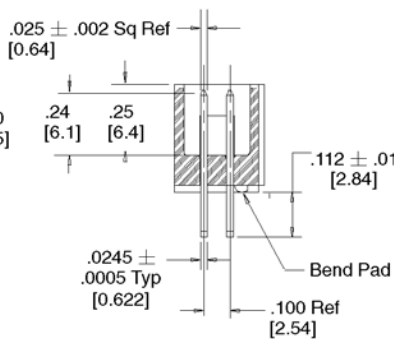
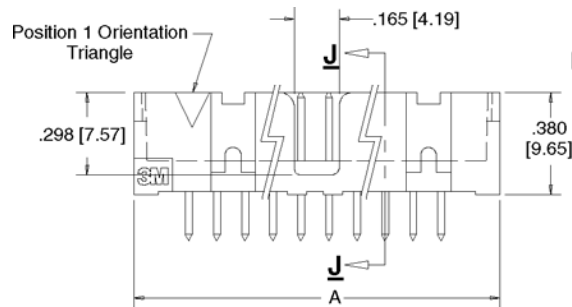
2500 Series



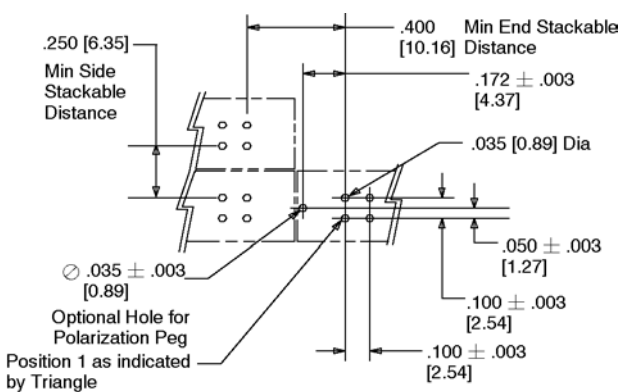
Tolerance Unless Noted			
	Inch	[mm]	
	.0	.00	.000
Inch	± .1	± .01	± .005

[] Dimensions for Reference only

Straight



Section J-J



Recommended P.C. Board Hole Pattern
(Shown for mounting side of board.)

Table 1			
Pin Qty	Dimensions		Polarizing Notches
	A	B	
10	.788 [20.02]	.708 [17.98]	BC
14	.988 [25.10]	.908 [22.06]	B C D E
16	1.088 [27.64]	1.008 [25.60]	A B C D E
20	1.288 [32.72]	1.208 [30.68]	A B C D E
24	1.488 [37.80]	1.408 [35.76]	A B C D E
26	1.588 [40.34]	1.508 [38.30]	A B C D E
30	1.788 [45.42]	1.708 [43.38]	A B C D E
34	1.988 [50.50]	1.908 [48.46]	A B C D E
40	2.288 [58.12]	2.208 [56.08]	A B C D E
50	2.788 [70.82]	2.708 [68.78]	A B C D E
60	3.288 [83.52]	3.208 [81.48]	A B C D E
64	3.488 [88.60]	3.408 [86.56]	A B C D E

Notes:

1. Notches A & C will accommodate 3M Polarizing Keys (3M Part #N3518).
2. Contact tails .0245 [0.622] crowned wire with .0075 [0.191] corner radii & .028 [0.72] diagonal.
3. .112 [2.84] tail length suitable for .062 [1.57] pc board.
4. Solder stand offs facilitate .01 clearance above board for reflow soldering.

Ordering Information

N25XX-6002RB

Pin Quantity: _____
(See Table 1)

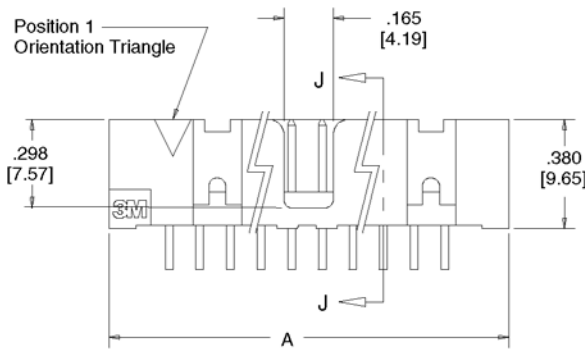
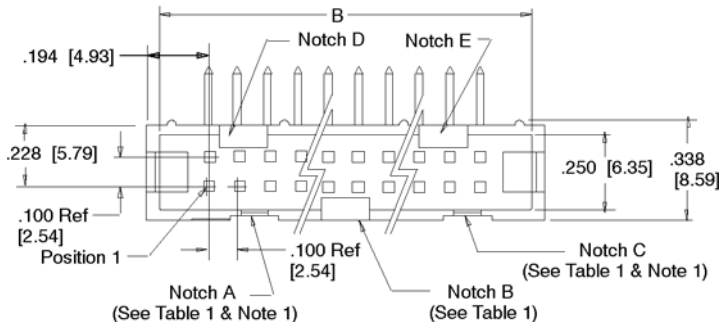
TS-0770-13
Sheet 2 of 4

3M™ Pak 100 4-Wall Header

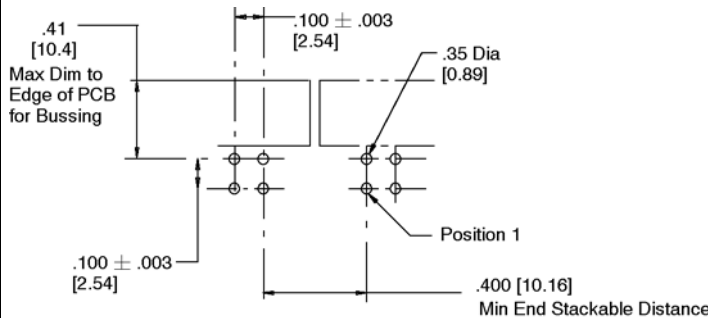
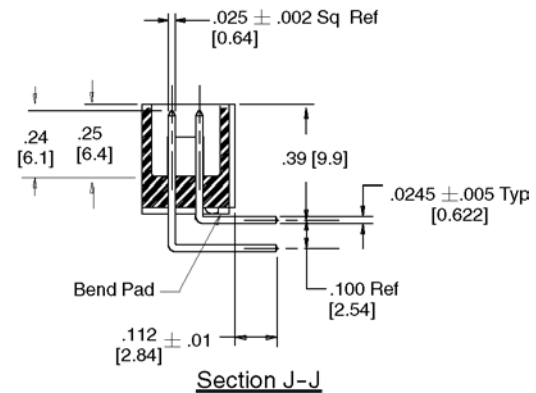
.100" × .100" Low Profile, Straight and Right Angle

2500 Series

Pin Qty	Dimensions		Polarizing Notches
	A	B	
10	.788 [20.02]	.708 [17.98]	BC
14	.988 [25.10]	.908 [22.06]	B C D E
16	1.088 [27.64]	1.008 [25.60]	A B C D E
20	1.288 [32.72]	1.208 [30.68]	A B C D E
24	1.488 [37.80]	1.408 [35.76]	A B C D E
26	1.588 [40.34]	1.508 [38.30]	A B C D E
30	1.788 [45.42]	1.708 [43.38]	A B C D E
34	1.988 [50.50]	1.908 [48.46]	A B C D E
40	2.288 [58.12]	2.208 [56.08]	A B C D E
50	2.788 [70.82]	2.708 [68.78]	A B C D E
60	3.288 [83.52]	3.208 [81.48]	A B C D E
64	3.488 [88.60]	3.408 [86.56]	A B C D E



Right Angle



Recommended Mounting Hole Pattern

Tolerance Unless Noted			
	Inch	[mm]	
	.0	.00	.000
Inch	± .1	± .01	± .005

[] Dimensions for Reference only



Notes:

1. Notches A & C will accommodate 3M Polarizing Keys (3M Part #N3518).
2. Contacts tails .0245 [0.622] crowned wire with .0075 [0.191] corner radii & .028 [0.72] diagonal.
3. .112 [2.84] tail length suitable for .062 [1.57] pc board.

Ordering Information

N25XX-5002RB

Pin Quantity: _____
(See Table 1)

TS-0770-13
Sheet 3 of 4

3M™ Pak 100 4-Wall Header

.100" × .100" Low Profile, Straight and Right Angle, Accessories

2500 Series

Part Customization

This spec sheet details our standard offering.

3M has several capabilities that can provide a part tailored to your specific needs. Ask your 3M sales representative or customer service for more details.

- .155 tail length for .094 to .125 thick boards (N25XX-X003)
- Board retention feature added for .062 board (N25XX-X0K2)
- Selective pin removal (ATA or other compatibility)

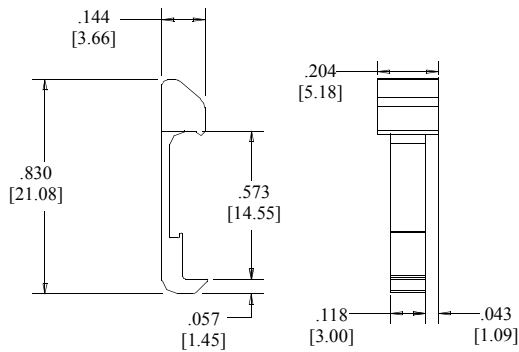
Connector Pin Qty	Dimension A
10	.81 [20.6]
14	1.02 [25.9]
16	1.12 [28.4]
20	1.32 [33.5]
24	1.52 [38.7]
26	1.63 [41.4]
30	1.83 [46.4]
34	2.03 [51.6]
40	2.33 [59.2]
50	2.83 [71.9]
60	3.33 [84.6]
64	3.53 [89.7]

3505-8XXX

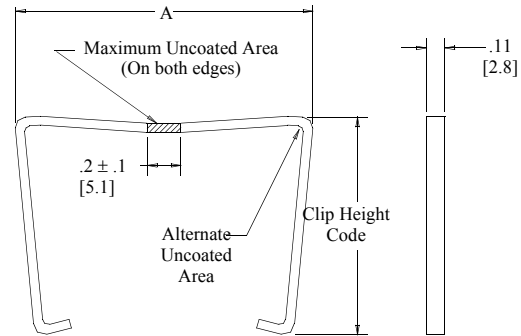
Connector Pin Count:
(See Table)

Clip Height Code
0 = .31 [7.9] for Sockets W/O Strain Relief
1 = .53 [13.5] for Sockets with Strain Relief

Part Number	Material	Color
3505-33	Nylon	Black



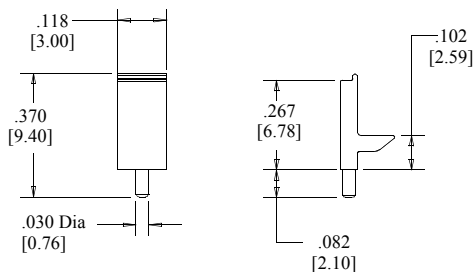
Long Snap In Latch



Short/Long Socket Retainer Clip

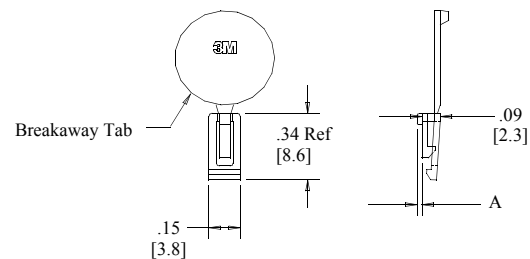
Note: Stainless steel with polyurethane coating.

Part Number	Material	Color
3201-2	PCT	Black



Polarizing Post

Part Number	Material	Color	Dim A
N3518	LCP	Black	0.02



Note: #2216 B/A Scotchweld can be used to adhere keys.

Polarizing Keys

TS-0770-13
Sheet 4 of 4

Important Notice

All statements, technical information, and recommendations related to 3M's products are based on information believed to be reliable, but the accuracy or completeness is not guaranteed. Before using this product, you must evaluate it and determine if it is suitable for your intended application. You assume all risks and liability associated with such use. Any statements related to the product which are not contained in 3M's current publications, or any contrary statements contained on your purchase order shall have no force or effect unless expressly agreed upon, in writing, by an authorized officer of 3M.

Warranty; Limited Remedy; Limited Liability.

This product will be free from defects in material and manufacture for a period of 90 days from the time of purchase. **3M MAKES NO OTHER WARRANTIES INCLUDING, BUT NOT LIMITED TO, ANY IMPLIED WARRANTY OF MERCHANTABILITY OR FITNESS FOR A PARTICULAR PURPOSE.** If this product is defective within the warranty period stated above, your exclusive remedy shall be, at 3M's option, to replace or repair the 3M product or refund the purchase price of the 3M product. **Except where prohibited by law, 3M will not be liable for any indirect, special, incidental or consequential loss or damage arising from this 3M product, regardless of the legal theory asserted.**



Electronic Solutions Division

6801 River Place Blvd.
Austin, TX 78726-9000
www.3M.com/esd



Minimum 10%
Post-consumer Fiber

Printed in USA.

© 3M 2005