

MSC1211EVM

Evaluation Module

User's Guide

IMPORTANT NOTICE

Texas Instruments Incorporated and its subsidiaries (TI) reserve the right to make corrections, modifications, enhancements, improvements, and other changes to its products and services at any time and to discontinue any product or service without notice. Customers should obtain the latest relevant information before placing orders and should verify that such information is current and complete. All products are sold subject to TI's terms and conditions of sale supplied at the time of order acknowledgment.

TI warrants performance of its hardware products to the specifications applicable at the time of sale in accordance with TI's standard warranty. Testing and other quality control techniques are used to the extent TI deems necessary to support this warranty. Except where mandated by government requirements, testing of all parameters of each product is not necessarily performed.

TI assumes no liability for applications assistance or customer product design. Customers are responsible for their products and applications using TI components. To minimize the risks associated with customer products and applications, customers should provide adequate design and operating safeguards.

TI does not warrant or represent that any license, either express or implied, is granted under any TI patent right, copyright, mask work right, or other TI intellectual property right relating to any combination, machine, or process in which TI products or services are used. Information published by TI regarding third-party products or services does not constitute a license from TI to use such products or services or a warranty or endorsement thereof. Use of such information may require a license from a third party under the patents or other intellectual property of the third party, or a license from TI under the patents or other intellectual property of TI.

Reproduction of information in TI data books or data sheets is permissible only if reproduction is without alteration and is accompanied by all associated warranties, conditions, limitations, and notices. Reproduction of this information with alteration is an unfair and deceptive business practice. TI is not responsible or liable for such altered documentation.

Resale of TI products or services with statements different from or beyond the parameters stated by TI for that product or service voids all express and any implied warranties for the associated TI product or service and is an unfair and deceptive business practice. TI is not responsible or liable for any such statements.

Mailing Address:

Texas Instruments
Post Office Box 655303
Dallas, Texas 75265

EVM IMPORTANT NOTICE

Texas Instruments (TI) provides the enclosed product(s) under the following conditions:

This evaluation kit being sold by TI is intended for use for **ENGINEERING DEVELOPMENT OR EVALUATION PURPOSES ONLY** and is not considered by TI to be fit for commercial use. As such, the goods being provided may not be complete in terms of required design-, marketing-, and/or manufacturing-related protective considerations, including product safety measures typically found in the end product incorporating the goods. As a prototype, this product does not fall within the scope of the European Union directive on electromagnetic compatibility and therefore may not meet the technical requirements of the directive.

Should this evaluation kit not meet the specifications indicated in the EVM User's Guide, the kit may be returned within 30 days from the date of delivery for a full refund. **THE FOREGOING WARRANTY IS THE EXCLUSIVE WARRANTY MADE BY SELLER TO BUYER AND IS IN LIEU OF ALL OTHER WARRANTIES, EXPRESSED, IMPLIED, OR STATUTORY, INCLUDING ANY WARRANTY OF MERCHANTABILITY OR FITNESS FOR ANY PARTICULAR PURPOSE.**

The user assumes all responsibility and liability for proper and safe handling of the goods. Further, the user indemnifies TI from all claims arising from the handling or use of the goods. Please be aware that the products received may not be regulatory compliant or agency certified (FCC, UL, CE, etc.). Due to the open construction of the product, it is the user's responsibility to take any and all appropriate precautions with regard to electrostatic discharge.

EXCEPT TO THE EXTENT OF THE INDEMNITY SET FORTH ABOVE, NEITHER PARTY SHALL BE LIABLE TO THE OTHER FOR ANY INDIRECT, SPECIAL, INCIDENTAL, OR CONSEQUENTIAL DAMAGES.

TI currently deals with a variety of customers for products, and therefore our arrangement with the user **is not exclusive.**

TI assumes **no liability for applications assistance, customer product design, software performance, or infringement of patents or services described herein.**

Please read the EVM User's Guide and, specifically, the EVM Warnings and Restrictions notice in the EVM User's Guide prior to handling the product. This notice contains important safety information about temperatures and voltages. For further safety concerns, please contact the TI application engineer.

Persons handling the product must have electronics training and observe good laboratory practice standards.

No license is granted under any patent right or other intellectual property right of TI covering or relating to any machine, process, or combination in which such TI products or services might be or are used.

Mailing Address:

Texas Instruments
Post Office Box 655303
Dallas, Texas 75265

EVM WARNINGS AND RESTRICTIONS

It is important to operate this EVM within the specified input and output ranges described in the EVM User's Guide.

Exceeding the specified input range may cause unexpected operation and/or irreversible damage to the EVM. If there are questions concerning the input range, please contact a TI field representative prior to connecting the input power.

Applying loads outside of the specified output range may result in unintended operation and/or possible permanent damage to the EVM. Please consult the EVM User's Guide prior to connecting any load to the EVM output. If there is uncertainty as to the load specification, please contact a TI field representative.

During normal operation, some circuit components may have case temperatures greater than 60°C. The EVM is designed to operate properly with certain components above 60°C as long as the input and output ranges are maintained. These components include but are not limited to linear regulators, switching transistors, pass transistors, and current sense resistors. These types of devices can be identified using the EVM schematic located in the EVM User's Guide. When placing measurement probes near these devices during operation, please be aware that these devices may be very warm to the touch.

Mailing Address:

Texas Instruments
Post Office Box 655303
Dallas, Texas 75265

Read This First

About This Manual

This users guide describes the function and operation of the MSC1211EVM. This manual will help you quickly set up the evaluation module and its accompanying software, so that you can rapidly test and evaluate the MSC1211. A complete circuit description, as well as schematic diagram and bill of materials, is included.

How to Use This Manual

This manual begins with an introductory chapter which describes the EVM and what it can do. If you're anxious to set things up and start testing, we suggest you read at least the first two chapters. These two chapters introduce you to the board and how to set it up to start working with it. Later chapters go into more detail on the board design and how to access its many features.

Information About Cautions and Warnings

This book may contain cautions and warnings.

This is an example of a caution statement.

A caution statement describes a situation that could potentially damage your software or equipment.

This is an example of a warning statement.

A warning statement describes a situation that could potentially cause harm to you.

The information in a caution or a warning is provided for your protection. Please read each caution and warning carefully.

Related Documentation From Texas Instruments

Data Sheets:	Literature Number:
MSC1211	SBAS267
REG1117-5.0,-3.3	SBVS001
ADS8325	SBAS226
MAX3243CPWR	SLLS350
TPS3837L30DBVT,TPS3838L30DBVT	SLVS292
SN74HC573ADW	SCLS147
SN74AC10PWR	SCAS529
SN74AHC1G08DBVR	SCLS3141
SN74AHC138PWR	SCLS2581

FCC Warning

This equipment is intended for use in a laboratory test environment only. It generates, uses, and can radiate radio frequency energy and has not been tested for compliance with the limits of computing devices pursuant to subpart J of part 15 of FCC rules, which are designed to provide reasonable protection against radio frequency interference. Operation of this equipment in other environments may cause interference with radio communications, in which case the user at his own expense will be required to take whatever measures may be required to correct this interference.

Trademarks

All trademarks are the property of their respective owners.

Contents

1	Introduction	1-1
1.1	MSC1211 Description	1-2
1.2	EVM System Overview	1-2
1.3	Analog Inputs	1-3
1.4	Prototyping Area	1-3
1.5	Power Requirements	1-3
1.6	Host Computer Requirements	1-3
2	Getting Started	2-1
2.1	Unpacking the MSC1211EVM	2-2
2.2	Default Configuration	2-2
2.3	Quick Start	2-3
3	Operation	3-1
3.1	Jumpers	3-2
3.1.1	JMP1: Short R1	3-3
3.1.2	JMP2: Short R2	3-3
3.1.3	JMP3: I2C Data SDA Enable	3-3
3.1.4	JMP3: I2C Data SCL Enable	3-3
3.1.5	JMP5: AVDD Power Source Select	3-3
3.1.6	JMP6: DVDD Power Source Select	3-3
3.1.7	J7: Reference Select	3-3
3.1.8	J16: Memory Configuration	3-3
3.2	Switches	3-4
3.2.1	Reset Switch	3-4
3.2.2	INT Switch	3-4
3.2.3	SW3: Configuration Switch	3-4
3.2.4	PRG LD Switch	3-4
3.2.5	SW5: Emulation and Control Switch	3-5
3.3	I/O Connectors and Signals	3-6
3.3.1	J8: Serial0 RS-232 Connector	3-6
3.3.2	J9: Serial1 RS-232 Connector	3-7
3.3.3	J6, JMP5, JMP6, B1: Power Connectors	3-8
3.3.4	J4: Analog Inputs	3-9
3.3.5	J7: External Reference Input	3-9
3.3.6	TP1–6: Test Points	3-10
3.4	Circuit Descriptions	3-11
3.4.1	MSC1211	3-11
3.4.2	Programming and Host Communication	3-11
3.4.3	Power Supply	3-11
3.5	Program Descriptions	3-12
4	Physical Description	4-1
4.1	Schematics	4-2
4.2	Component Locations	4-4
4.3	Power-Supply CE certification	4-4
4.4	Bill of Materials	4-5

Figures

1-1.	MSC1211EVM Block Diagram	1-2
2-1.	RIDE (Raisonnance Integrated Development Environment)	2-4
2-2.	Tool Advanced Options	2-5
4-1.	Processor Schematic	4-2
4-2.	Power and Analog Inputs Schematic	4-3
4-3.	Printed Circuit Board Layout	4-4

Tables

2-1.	Factory Jumper Settings	2-2
2-2.	Factory Jumper Settings	2-3
2-3.	Operand Definitions	2-5
3-1.	Jumper/Function Reference	3-2
3-2.	SW3: Configuration Control Switch	3-4
3-3.	SW5: Configuration Control Switch	3-5
3-4.	J8: RS-232 Port Pinout	3-6
3-5.	J8: RS-232 Port Pinout	3-7
3-6.	Unregulated Power Input Connector	3-8
3-7.	B1: 9V Battery Connector	3-8
3-8.	J4: Analog Inputs	3-9
3-9.	J7: External Reference Input	3-9
3-10.	TP1-6: Test Points	3-10
4-1.	Bill of Materials	4-6

Introduction

This chapter provides an overview of the MSC1211 evaluation module and software.

Topic	Page
1.1 MSC1211 Description	1-2
1.2 EVM System Overview	1-2
1.3 Analog Inputs	1-3
1.4 Prototyping Area	1-3
1.5 Power Requirements	1-3
1.6 Host Computer Requirements	1-3

1.1 MSC1211 Description

The MSC1211 is a precision 24-bit delta-sigma analog-to-digital converter (ADC) with an 8051 microcontroller, and up to 32K of flash memory. It has eight differential/single-ended analog inputs. The delta-sigma architecture employed in the MSC1211 enables the device to achieve 22 bits of effective resolution (0.45 ppm RMS noise) at a data rate of 10Hz. It can be programmed for other data rates up to 1kHz that have lower effective resolution. In addition to the standard 8051 peripherals and functions, the MSC1211 includes four 16-bit digital-to-analog converters (DACs), a 32-bit accumulator, a high-speed SPI or I²C interface, a 16-bit PWM output, data flash memory, 1,280 bytes of data RAM, dual UARTS, and dual DPTR registers.

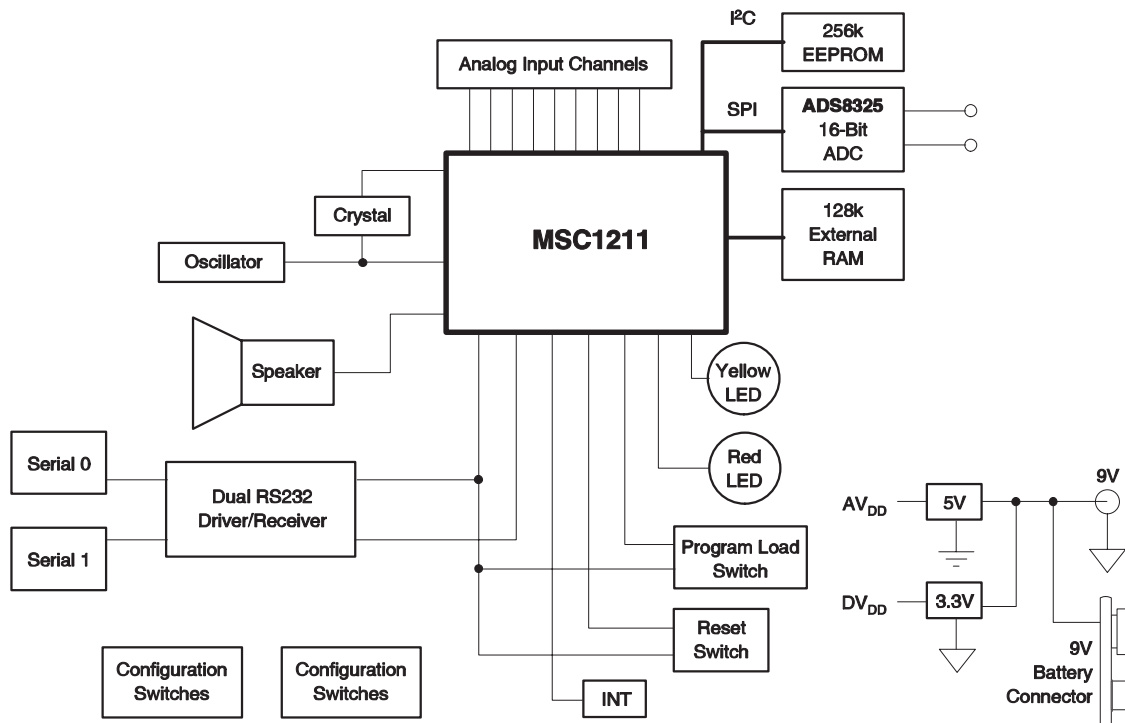
The MSC1211 has an enhanced 8051 core that only requires 4 clock cycles per machine cycle. It has extra timers, watchdog, brownout and low-voltage detect circuits, power management control and hardware breakpoint registers.

1.2 EVM System Overview

A block diagram of the MSC1211EVM is shown in Figure 1–1.

During normal operation, programs are developed on the PC and then downloaded into the MSC1211 for execution. The primary development environment is Raisonance for assembly and C language programming. There is also a BASIC–52 and a Basic interpreter available from MDL–Labs.

Figure 1–1. MSC1211EVM Block Diagram



1.3 Analog Inputs

Analog input is supplied through the ten-way screw terminal block, J4. The nine inputs are connected to the MSC1211 through a 100 Ω resistor. There is also a terminal block for AGND. The inputs have the 100 Ω resistors to provide minimal protection against overvoltage.

1.4 Prototyping Area

A prototyping area is provided on the MSC1211EVM. This may be used to incorporate additional circuitry, such as special reference or conditioning circuits, into the system. All of the signals on the MSC1211 are brought to connector pads. Additionally, there are digital and analog power and ground holes in the prototyping area.

1.5 Power Requirements

The MSC1211EVM must be supplied with 5.5V to 15V for proper operation. Power can be supplied through barrel jack J6 (tip positive), square pin connectors JMP5 (pins 2 and 3) and JMP6 (pins 2 and 3), or with a 9V battery connected to battery snap B1.

A 9V “wall-wart” power supply is included with the MSC1211EVM.

1.6 Host Computer Requirements

The Raisonance software development environment is designed to run on a PC running any Windows platform (Windows 95, 98, NT, 2000, etc).

Minimum Requirements:

- IBM-compatible 486 PC or higher
- Windows[®] 95/98/2000 or NT4.0
- 64MB RAM minimum
- 20MB available hard disk space
- CD-ROM drive
- Available serial port

Getting Started

This chapter guides you through unpacking the MSC1211EVM and setting it up so you can begin working with it immediately.

Topic	Page
2.1 Unpacking the MSC1211EVM	2-2
2.2 Default Configuration	2-2
2.3 Quick Start	2-3

2.1 Unpacking the MSC1211EVM

After unpacking the MSC1211EVM kit, check to make sure you received all of the items listed here:

- MSC1211EVM board
- 9V “wall-wart” power supply
- 9-pin, D-sub, male-female serial cable
- This user’s guide
- Software CD-ROM

2.2 Default Configuration

Although much of the MSC1211EVM operation is controlled by the host PC, some configuration must be done directly on the board, using four jumpers (shorting blocks). The MSC1211EVM is configured at the factory, as shown in Table 2–1.

Table 2–1. Factory Jumper Settings

Jumper identifier	Description	Default Setting
JMP5	Analog power supply source	1–2
JMP6	Digital power supply source	1–2
J7	Internal Reference Select	1–2

For more information about the jumpers, see section 3.1.

2.3 Quick Start

Once the MSC1211EVM has been unpacked from its shipping container, and you have verified that the board is configured as shown in Table 2–1, it can be powered on and tested.

First, connect the board to the host PC using the supplied 9-pin serial cable. Then, power the board on by plugging the wall power adapter into a suitable ac power source and plugging the barrel plug into the barrel jack (J6) on the MSC1211EVM. (You do not have to connect the serial cable first; it is also acceptable to apply power to the board first.) When the board is properly powered on, the two green power-good indicator lamps near the power connectors will glow brightly.

Place the CD-ROM into your CD-ROM drive. Table 2–2 shows the directories located on the CD-ROM.

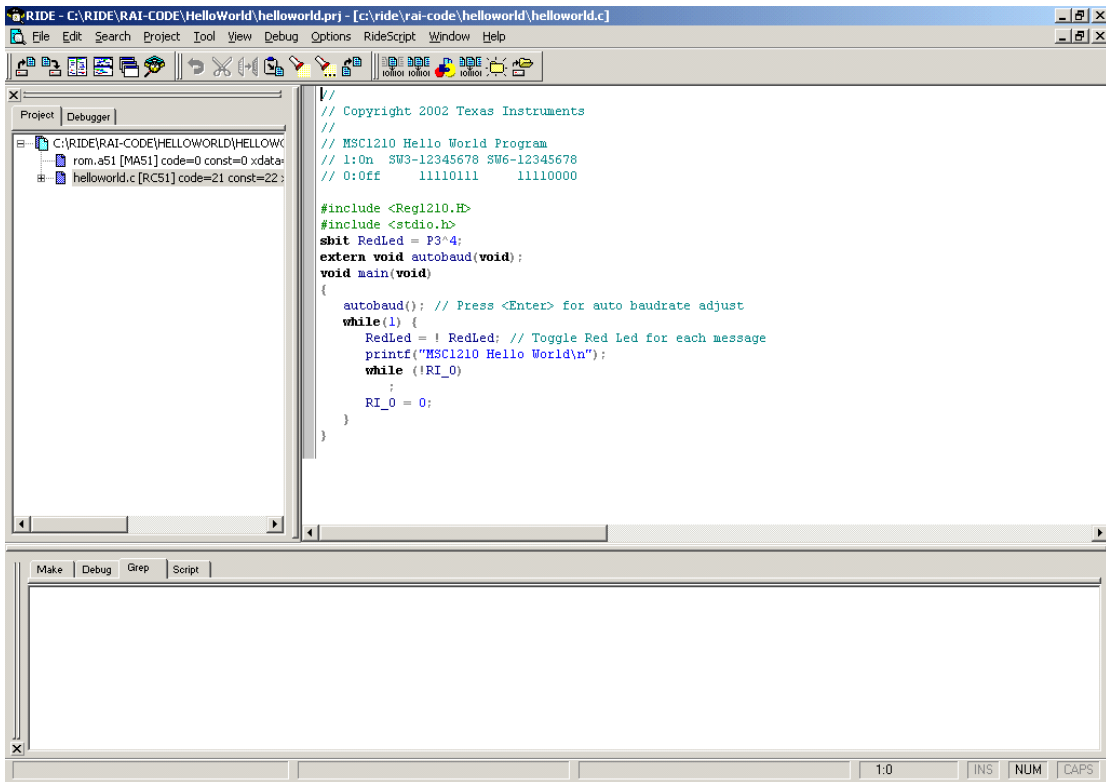
Table 2–2. CD-Rom Contents

Directory	Description
8051 Reference	Some reference documentation on the 8051
8051 Tutorial	An HTML tutorial from 8052.com
ADC Demo	A Visual demonstration of the operation of the MSC1211
Application Notes	Several Application notes for the MSC family
BASIC	BASIC–52 and MDL–BASIC
C Programming	Some information on C–Programming on 8051s
Downloader	Program for loading HEX files into the MSC Flash memory
EVMS	Design documents for the MSC EVMs
Example Programs	Various example programs for the MSC devices
Hitex ICE	An example of an external ICE which can be used with the MSC
MSC1210 Data Sheet	
MSC1210 User Manual	
Ride	Full featured C/Assembly development/simulator environment
Wickenhauser	A low cost C compiler for the MSC1210

Now, install two pieces of software on your PC: RIDE and the Download Tool. If you are running a Windows platform that is NT-based, such as Windows NT or Windows 2000, you will need administrator privileges to install the software. Follow the instructions that the installers give you.

Once the programs has been successfully installed, you can execute them. When the RIDE development system is run, it displays a splash screen, and then you will see something like the screen in Figure 2–1.

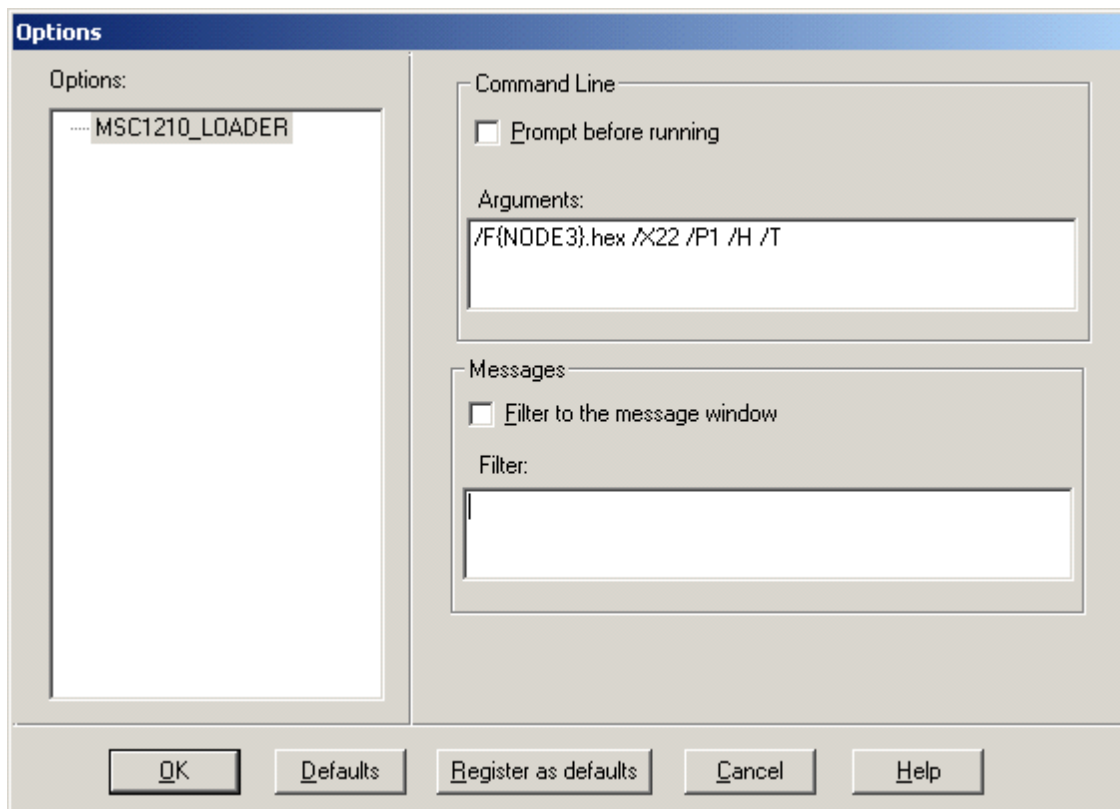
Figure 2–1. RIDE (Raisance Integrated Development Environment)



Refer to the RIDE documentation and help menus for more information about how to interact with the RIDE environment. When a program is compiled, it can be immediately downloaded into the MSC1211EVM by using the MSC download utility program.

In the Project menu, select **Options** ⇒ **Tools**, and then **Create** or **Edit** MSC1210_LOADER. Enter the path to the download.exe program that should be installed in your Windows directory. The download.exe file will need to be in the current directory or the Windows path. In the “translate from” and the “translate to” windows add “*.aof”. Select Advanced and you will have see the screen shown in Figure 2–2.

Figure 2–2. Tool Advanced Options



UnCheck the Prompt before running box.

All operands should immediately follow the switch character with no spaces except between options. i.e.:

```
/F{NODE3}.hex /X22 /P1 /H /T
```

If the filename, crystal frequency, or port are not included, a screen will prompt for the values. The operand list is defined in Table 2–3.

Table 2–3. Downloader Operand Definitions

Operand	Definition
/File	hex file, {NODE3} in the RIDE will substitute the hex file (required)
/Xfreq	MSC1211 Xtal Clock frequency (required)
/Pport	PC Comm port 1, 2, 3 or 4 (required)
/Bbaud	Baud rate (standard rates), otherwise it is computed from /Xfreq
/H	If this flag is present the configuration bytes will be erased
/T	This flag requests a terminal window after download.

Operation

This chapter describes each function of the MSC1211EVM, and how to use the accompanying software to program and use the MSC1211.

Topic	Page
3.1 Jumpers	3-2
3.2 Switches	3-4
3.3 I/O Connectors and Signals	3-6
3.4 Circuit Descriptions	3-11

3.1 Jumpers

Table 3–1 shows the function of each jumper on the EVM.

Table 3–1. Jumper/Function Reference

Reference Designator	Setting/Pin	Function	Default	Subsection
JMP1	1 to 2	Short R1 for IDAC0 output	Disconnected	3.1.1
JMP2	1 to 2	Short R2 for IDAC1 output	Disconnected	3.1.2
JMP3	1 to 2	Connect I ² C SDA signal	Disconnected	3.1.3
JMP4	1 to 2	Connect I ² C SCL signal	Disconnected	3.1.4
JMP5	1 to 2	Onboard AV _{DD}	1–2	3.1.5
	2 to 3	External AV _{DD}		
JMP6	1 to 2	Onboard DV _{DD}	1–2	3.1.6
	2 to 3	External DV _{DD}		
J7	1	AGND	1–2	3.1.7
	2	REF IN–		
	3	VDAC1		
	4	REF IN+/REFOUT		
	5	Open		
	6	AV _{DD}		
J16	1	Memory A14	RAM 1–3, 2–4, 5–6	3.1.8
	2	MSC1211 A15		
	3	MSC1211 A14		
	4	Memory A15		
	5	Memory /WE		
	6	MSC1211 /WE		

3.1.1 JMP1: Short R1

In order to allow current output IDAC0 to have full compliance, JMP1 can be used to short out resistor R1, which is in series with that signal.

3.1.2 JMP2: Short R2

In order to allow current output IDAC0 to have full compliance, JMP2 can be used to short out resistor R2, which is in series with that signal.

3.1.3 JMP3: I²C Data SDA Enable

The MSC1211 uses the same signals for SPI and I²C. Since there is no chip select available for the I²C device, this jumper will allow the isolation of the 256K EEPROM during SPI testing.

3.1.4 JMP3: I²C Data SCL Enable

The MSC1211 uses the same signals for SPI and I²C. Since there is no chip select available for the I²C device, this jumper will allow the isolation of the 256K EEPROM during SPI testing.

3.1.5 JMP5: AV_{DD} Power Source Select

The MSC1211 has separate analog and digital power supplies. Use JMP5 to connect the desired voltage source for the analog power supply AV_{DD}. Shorting pins 1 and 2 connects the onboard 5V regulator. Pins 2–3 can be used to supply an external voltage for use as AV_{DD}; pin 2 is for the external voltage and pin 3 is for AGND.

3.1.6 JMP6: DV_{DD} Power Source Select

The MSC1211 has separate analog and digital power supplies. Use JMP6 to connect the desired voltage source for the digital power supply DV_{DD}. Shorting pins 1 and 2 connects the onboard 5V regulator. Pins 2–3 can be used to supply an external voltage for use as DV_{DD}; pin 2 is for the external voltage and pin 3 is for AGND.

3.1.7 J7: Reference Select

J7 has six pins. For normal operation pins 1 and 2 are connected for REF IN—to be connected to AGND. Since the MSC1210 has a very similar pinout to the MSC1211, the MSC1211 board is designed to accommodate the MSC1210 device. For the MSC1210, the VDAC1 pin is the REFOUT pin. Therefore, a connection between pins 3 and 4 will provide the other required connection for use of the internal reference for the MSC1210. Only pins 1 and 2 are needed for the MSC1211. Pins 4 and 6 can be connected together, if you want to use AV_{DD} as the reference voltage.

3.1.8 J16: Memory Configuration

The MSC1211EVM can use either RAM or EEPROM in the socket for U9. The J16 jumper provides the capability to configure the Addressing and Write Enable signals for each use. For use with compatible EEPROMs, the following pins are shorted: 1–2, 3–5 and 4–6. For use with the RAM memory that comes standard on the MSC1211EVM, the following pins are shorted: 1–3, 2–4, 5–6.

3.2 Switches

3.2.1 RESET Switch

Switch SW1 is a miniature pushbutton that, when pressed, forces the MSC1211 RST line high. When released, the MSC1211 enters a reset cycle. If communication becomes disrupted between the host and the board, or the board is unresponsive, pressing RESET will return the system to normal operation.

3.2.2 INT Switch

Switch SW2 is a miniature pushbutton that, when pressed, shorts Port 3.2 to ground. This pin is the $\overline{\text{INT0}}$ pin and, therefore, can be setup to cause an interrupt when this pin goes low.

3.2.3 SW3: Configuration Switch

SW3 provides the means to enable or disable many of the function on the MSC1211EVM.

Table 3–2. SW3: Configuration Control Switch

Switch Number	Function
1	Enables pin P3.5 to control the Yellow LED D5
2	Enables pin P3.4 to control the Red LED D4.
3	Enables pin P3.3 to drive the speaker.
4	Enables pin P3.0 to receive data from Serial0 (J5)
5	Disables on-board 22.1184MHz crystal oscillator
6	Enables pin P1.2 to receive data from Serial1 (J4)
7	Allows DTR from Serial0 to reset MSC1211
8	Allows RTS from Serial0 to reset to Prog Load mode

3.2.4 PRG LD Switch

SW4 is a miniature pushbutton that, when pressed, forces the MSC1211 RST line high. It also pulls the $\overline{\text{PSEN}}$ line low so that when released, the MCU will enter a reset cycle in the Program Load mode. Program execution will be from the on-chip ROM, and it starts by waiting for a carriage return so that it can perform an autobaud function.

3.2.5 SW5: Emulation and Control Switch

SW5 provides the means to break several signals so that they can be controlled by an emulator plugged into J14. This switch also provides a means of setting the operating mode of the MSC1211.

Table 3–3. SW5: Configuration Control Switch

Switch number	Function
1	Enables the /RD signal or breaks for emulator use.
2	Enables the /WR signal or breaks for emulator use.
3	Enables the Reset signal or breaks for emulator use.
4	Enables the PSEN signal or breaks for emulator use.
5	Provides a method to pull PSEN low.
6	Enables banks switching of 128K RAM memory
7	Provides a method to pull ALE low.
8	Connects EA to DGND

3.3 I/O Connectors and Signals

The various connectors on the MSC1211EVM are described in this section.

3.3.1 J8: Serial0 RS-232 Connector

The host PC communicates with the MSC1211EVM through this connector, which is a D-shell type, 9-pin female, pinned out in the usual manner. Some of the flow control lines are used for special purposes by the MSC1211EVM board; these are described in Table 3–4.

In the RS-232 electrical specification, –5V to –15V on a line indicates a logic high (mark), and +5V to +15V indicates logic low (space). Line states are described here according to their logical states.

If a non-handshaking RS-232 cable is used (i.e., one that connects only RD, TD, and signal ground), the board can still operate normally, but it cannot be reset by the host PC, and bootstrap firmware upgrading cannot be performed through the serial port.

Table 3–4. J8: RS-232 Port Pinout

Pin Number	Signal Name	RS-232 Name	Direction (at board)	Function
1	DCD	Data Carrier Detect	Output	None
2	RD	Receive Data	Output	Serial data output to the host PC
3	TD	Transmit Data	Input	Serial data input from the host PC
4	DTR	Data Terminal Ready	Input	Connected to the reset circuit. A low-to-high transition on this line resets the MCU.
5	SG	Signal Ground	Power	Ground reference
6	DSR	Data Set Ready	Output	None
7	RTS	Request To Send	Input	Connected to PROG LOAD function. Used to enter serial programming mode. A high-to-low transition resets the MCU and puts it into serial programming mode.
8	CTS	Clear To Send	Output	None
9	RI	Ring Indicator	Output	None

3.3.2 J9: Serial1 RS-232 Connector

This connector is available for use with the second UART in the MSC1211. Only the TD and RD lines are used. The DTR pin is connected to the DSR pin, and the RTS pin is connected to the CTS pin.

In the RS-232 electrical specification, $-5V$ to $-15V$ on a line indicates a logic high (mark), and $+5V$ to $+15V$ indicates logic low (space). Line states are described here according to their logical states.

Signal descriptions are described in Table 3–5.

Table 3–5. J8: RS-232 Port Pinout

Pin Number	Signal Name	RS-232 Name	Direction (at board)	Function
1	DCD	Data Carrier Detect	Output	None
2	RD	Receive Data	Output	Serial data output to the host PC
3	TD	Transmit Data	Input	Serial data input from the host PC
4	DTR	Data Terminal Ready	Input	Connected to DSR
5	SG	Signal Ground	Power	Ground reference
6	DSR	Data Set Ready	Output	Connected to DTR
7	RTS	Request To Send	Input	Connected to CTS
8	CTS	Clear To Send	Output	Connected to RTS
9	RI	Ring Indicator	Output	None

3.3.3 J6, JMP5, JMP6, B1: Power Connectors

The MSC1211EVM features a flexible power supply. Externally generated power, the onboard regulator circuitry and supplied wall-wart, or a 9V battery can all be used to supply power. Furthermore, the separated analog and digital power supplies can be powered differently; e.g., the analog power supply can be powered externally, and the digital power supply can use the onboard regulator, at the same time; this is configured using jumpers JMP5 and JMP6. The exception to this is that the battery and wall-wart cannot be used at the same time (see following paragraph).

Four power connectors are provided: JMP5 (pins 2–3) and JMP6 (pins 2–3) for external power, battery terminal B1 for a 9V transistor radio battery, and J6 for the supplied wall-wart. J6 is a switched jack—connecting a plug to J6 automatically disconnects the battery terminal. This prevents the battery and J6 from supplying power simultaneously.

Battery power is regulated by the same circuitry that regulates J6 (wall-wart) power. Note that when a battery is connected to B1, approximately one half of the prototyping area is covered up by the battery.

Caution: Be very careful when connecting external power supplies to JMP5 (pins 2 and 3) and JMP6 (pins 2 and 3). They are not protected against reversed polarity. If you connect them backwards (i.e., with reversed polarity), it is likely that the MSC1211EVM will be permanently damaged.

Table 3–6. Unregulated Power Input Connector

Terminal name	Function
Tip	Positive power supply input
Sleeve	Power ground

Table 3–7. B1: 9V Battery Connector

Terminal name	Function
Split (female) ring	Positive (mates with solid/male post on battery)
Solid (male) ring	Negative (mates with split/female post on battery)

3.3.4 J4: Analog Inputs

Terminal block J4 is the main analog input to the MSC1211EVM, as is defined in Table 3–8. One terminal is provided for each of the nine MSC1211 differential inputs. Each terminal is connected to the MSC1211 through a 1k Ω resistor.

Table 3–8. J4: Analog Inputs

Terminal Number	Terminal Name	MSC1211 Pin Number	Function
1	AN0	18	Analog Input 0
2	AN1	19	Analog Input 1
3	AN2	20	Analog Input 2
4	AN3	21	Analog Input 3
5	AN4	22	Analog Input 4
6	AN5	23	Analog Input 5
7	AN6/EXTD	24	Analog Input 6 and Digital Low Voltage Detect
8	AN7/EXTA	25	Analog Input 7 and Analog Low Voltage Detect
9	AINCOM	26	Analog Common
10	AGND	17, 27	Analog Ground

3.3.5 J7: External Reference Input

The MSC1211EVM has an onboard 2.5V/1.25V bandgap reference. If a lower-noise reference source or a reference with a different voltage is desired, it can be connected to square pin connector J7. The reference source (onboard or external) is selected using pins 1 and 2 of J7. Bypassing for the reference inputs is provided by C17 and C18. To use the internal REFOUT signal, connect pins 1 and 2 together.

Table 3–9. J7: External Reference Input

Terminal Number	Function
1	AGND—Analog Ground
2	REF IN–
3	VDAC1/(REF+ for MSC1211)
4	REF IN+/REFOUT
5	Open
6	AV _{DD}

3.3.6 TP1–6: Test Points

The test points can be used to monitor certain signals on the board.

For information on the signals connected directly to the MSC1211, consult the MSC1211 datasheet (SBAS267) located at www.ti.com.

Table 3–10. TP1–6: Test Points

Test Point Designator	MSC1211 Pin Number	MSC1211 Pin Name	Signal Description
TP1	—	—	GND
TP3	6	P3.3/ $\overline{\text{INT1}}$ /PWM	PWM output connected to the speaker
TP4	—	—	RTS on Serial0
TP5	—	—	DTR on Serial0
TP6	—	—	RX on Serial0
TP7	—	—	TX on Serial0
TP8	13	RST	Reset signal to the MSC1211
TP9	44	$\overline{\text{PSEN}}$	Program Select Enable from MSC1211
TP10	—	—	A0
TP11	—	—	A1
TP12	—	—	A2
TP13	—	—	A3
TP14	—	—	A4
TP15	—	—	A5
TP16	—	—	A6
TP17	—	—	A7
TP18	48	$\overline{\text{EA}}$	External Memory Enable
TP19	45	ALE	Address Latch Enable

3.4 Circuit Descriptions

The MSC1211EVM combines the MSC1211 microcontroller, 128K RAM, the ADS8325, 256K EEPROM, a 22.1184MHz crystal, support for two serial ports, and other support circuits to aid in the evaluation of the MSC1211.

3.4.1 MSC1211

The MSC1211 (U5) is clocked by the 22.1184MHz crystal oscillator, unless it is disabled with switch SW3–6. When the oscillator is disabled, the MSC1211 can use crystal X1 to provide the clock source using on–chip circuitry, although oscillator X2 must be removed from the board for reliable crystal operation. Inputs come from J4 through current-limiting resistors R1–R9.

Programs can be loaded into the 32K bytes of flash memory using the serial port (Serial0). The MSC1211 has 1,380 bytes of on–chip RAM. Extra RAM is available through the use of the 128K RAM (U9). 64K of RAM is directly addressable, with P1.4 providing the means for bank switching.

For detailed information about the MSC1211, consult the MSC1211 product datasheet (SBAS267) located at www.ti.com.

3.4.2 Programming and Host Communication

The Raisonance integrated software environment (RIDE) and the TI Downloader program make for a convenient system of program development, download, and execution.

Full source code for the MSC1211EVM firmware is included on the CD-ROM.

3.4.3 Power Supply

Power is brought into the board through external power connectors JMP5 (pins 2 and 3) and JMP6 (pins 2 and 3), battery connector B1, or unregulated power input J6. If a wall power adaptor is plugged into J6, the battery is disconnected.

Power supplied from the battery or through J6 is regulated by voltage regulators U3, and U4, which provide +5V digital and +5V analog supplies. Power supplied from the external connectors (JMP5 and JMP6) is not filtered; regulated power of the correct voltages must be supplied to these connectors.

The board is laid out with separate analog and digital power supplies. Analog power is 5V and is supplied from regulator U3, or external power connector JMP5. 5V digital power is supplied from regulator U4 or JMP6. When the external power connector J6 is used, it supplies regulator U3 and U4.

Physical Description

This chapter contains the schematic drawings and PCB layouts for the MSC1211EVM board.

Topic	Page
4.1 Schematics	4-2
4.2 Component Locations	4-4
4.3 Power-Supply CE Certification	4-5
4.4 Bill of Materials	4-6

4.1 Schematics

Figure 4-1. Processor Schematic

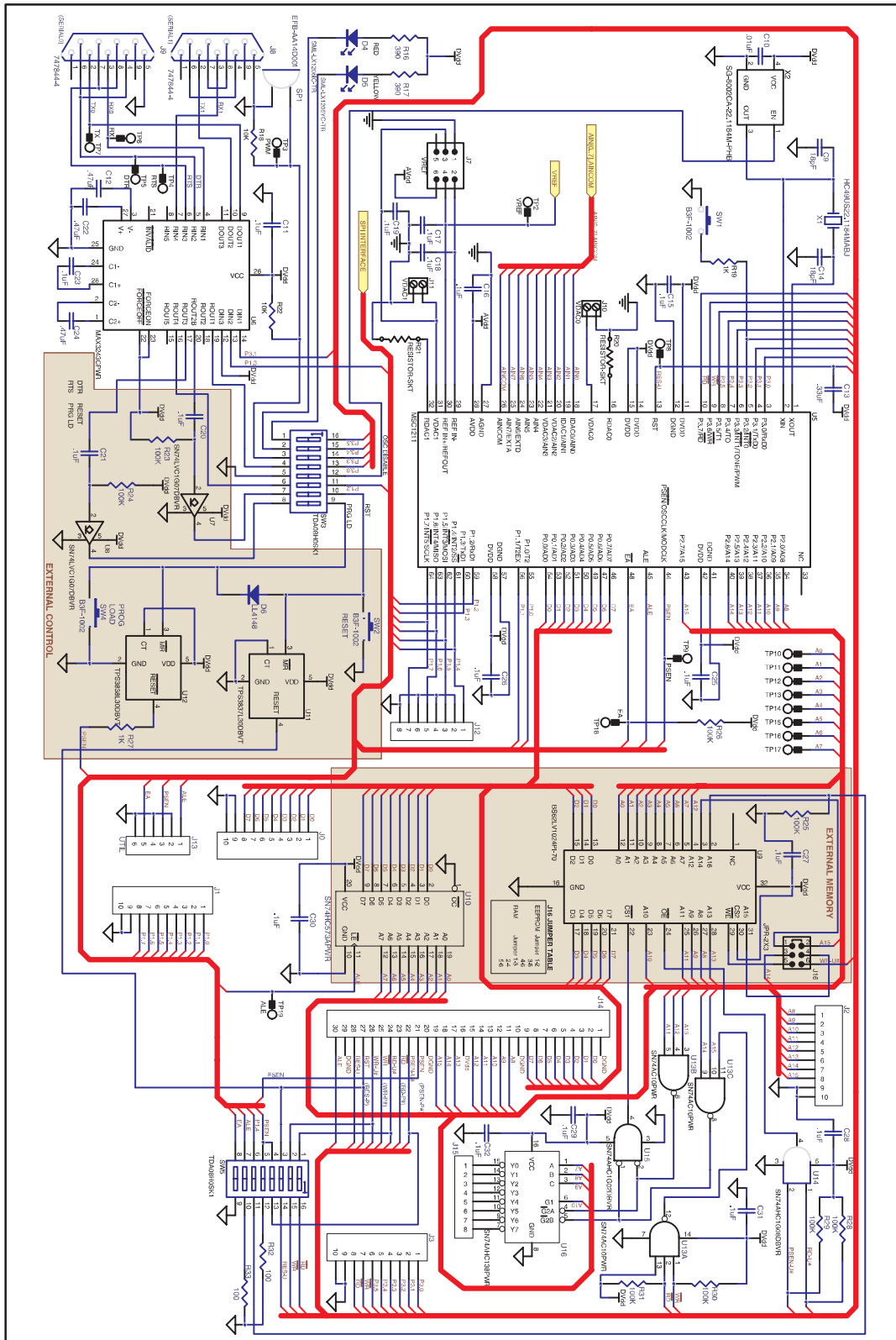
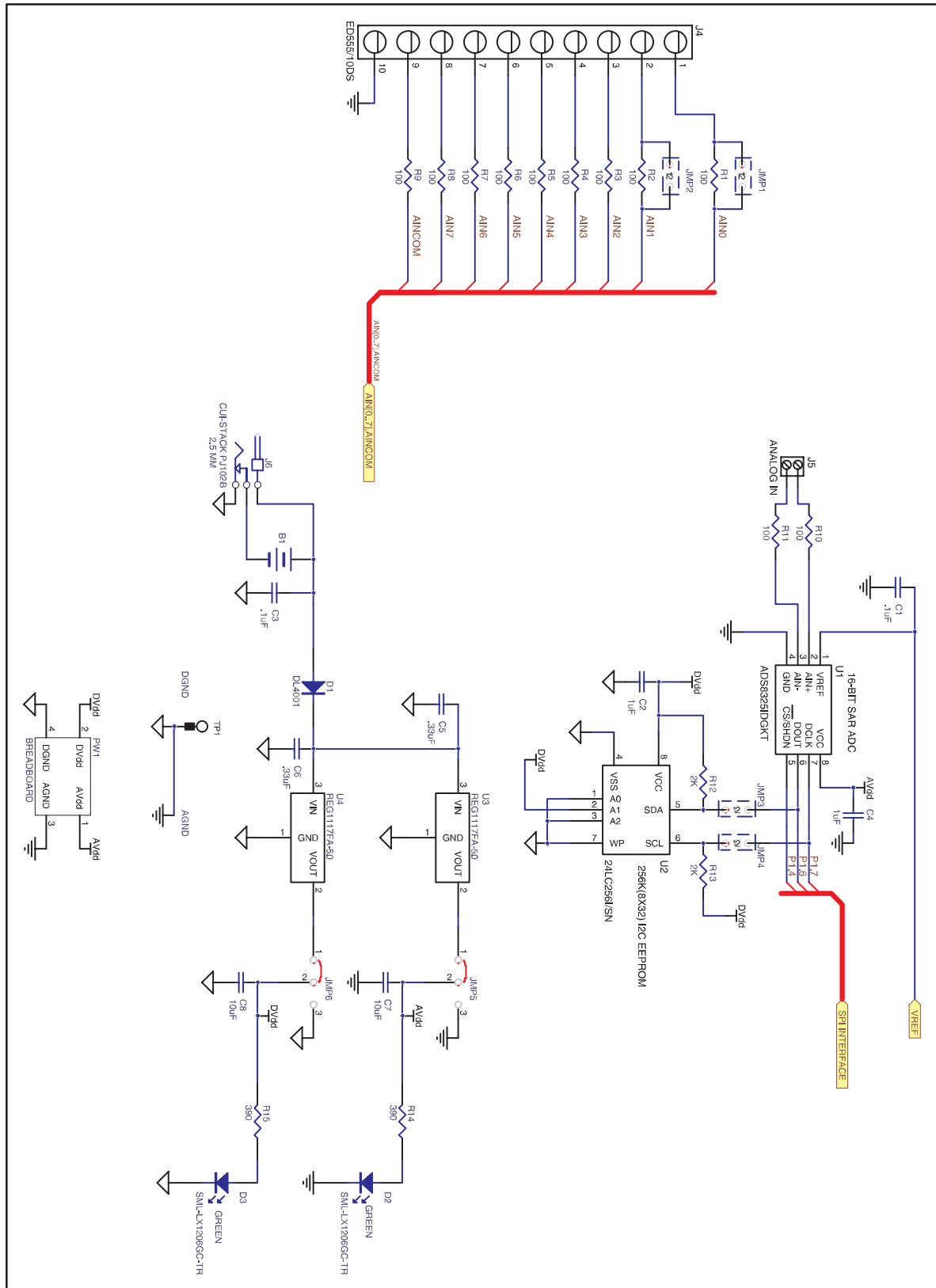
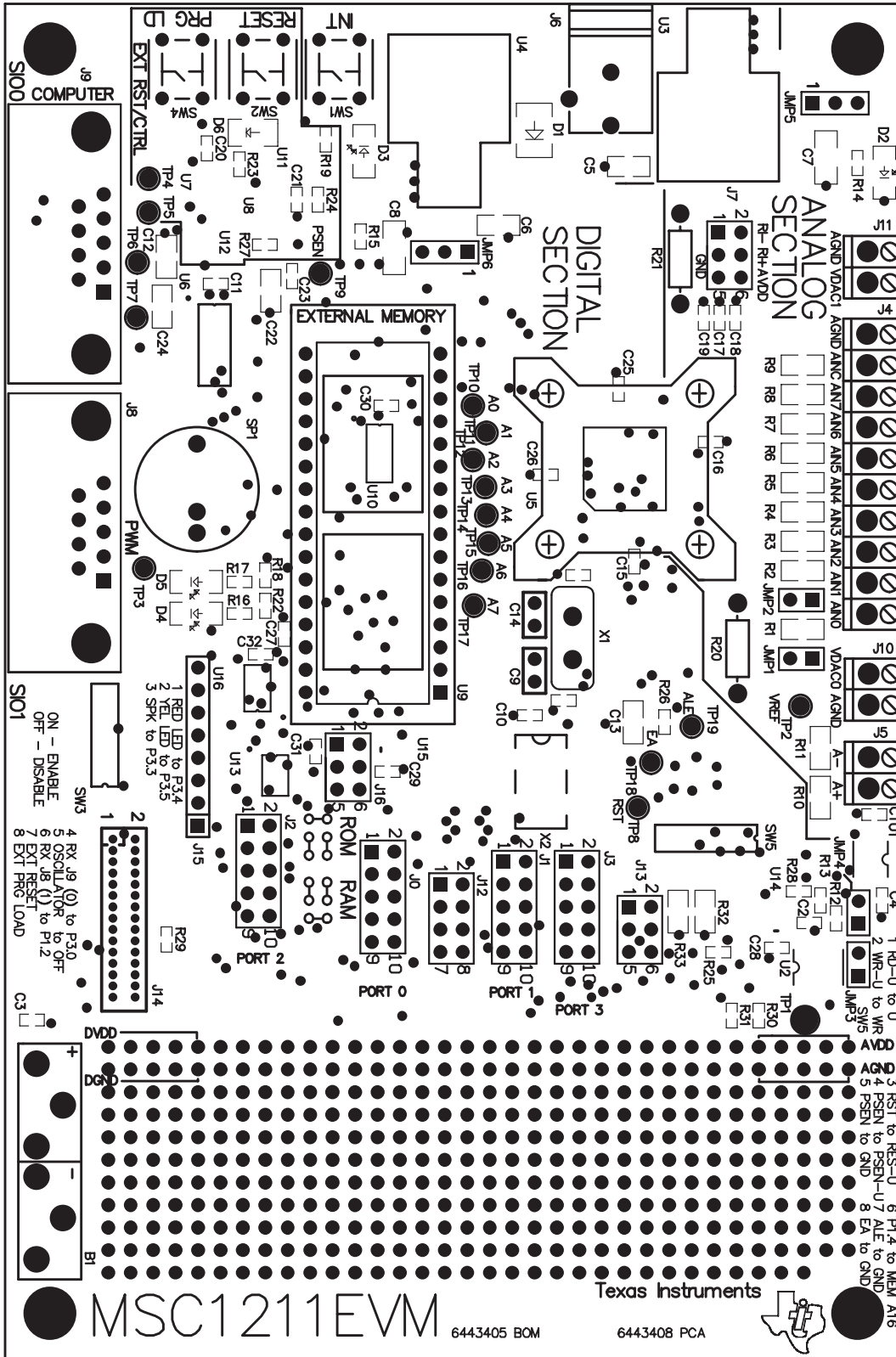


Figure 4–2. Power and Analog Inputs Schematic



4.2 Component Locations

Figure 4–3. Printed Circuit Board Layout



4.3 Power-Supply CE Certification

09-JAN-2000 14:14

VON -FRIWO SALES EXPORT

+49-2032-81-112

T-170 P.003/004 F-587

FRIWO Gerätebau GmbH
 Von-Liebig-Str. 11
 D-48346 Ostbevern
 Germany



CE-Konformitätserklärung
Declaration of Conformity

Wir, der Hersteller, erklären hiermit, daß das Produkt:
We, the manufacturer, hereby confirm, that the product:

Typ: *Type:* FW 7207/9

Zeichnungs-Nr.: *Part-No.:* 15.0661.500-00

weitere Merkmale:
additional information: _____

mit der beiliegenden Beschreibung die Anforderungen der Niederspannungsrichtlinie 73/23/EWG, CE-Kennzeichnungsrichtlinie 93/68/EWG und der EMV-Richtlinien 89/336/EWG, 92/31/EWG erfüllt.
with the enclosed description fulfills the requirements of the Low Voltage Directive 73/23/EEC, CE Marking Standard 93/68/EEC and the regulations of the EMC Directives 89/336/EEC, 92/31/EEC.

Das Gerät entspricht der:
The unit corresponds to:

a) Niederspannungsrichtlinie
Low Voltage Directive

- EN 60742 9/95
- EN 60335 5/95
- EN 60950 9/94
- EN 60601 9/94


b) EMV-Richtlinie
EMC-Directive

- EN 50081-1 3/93
- EN 50081-2 3/94
- EN 50082-1 3/93
- EN 50082-2 2/96

Ausstelldatum:
Date of issue: 98-10-02

Quality Manager ppp. Busche

R & D Manager i.v. Dr. Ebert

 FRIWO Gerätebau GmbH
 Von-Liebig-Straße 11
 48346 Ostbevern

Firmenstempel Company stamp

checked: R & D Electr. Man. i. V. Schulz

4.4 Bill of Materials

Table 4-1. Bill of Materials

Item No.	Quantity	Value	Designator	Description	Vendor	Part Number
1	13	100Ω	R1-R11, R32, R33	1/10W 5% chip resistor	Panasonic	ERJ-6GEYJ101V
2	4	390Ω	R14-R17	1/16W 5% chip resistor	Panasonic	ERJ-3GEYJ391V
3	2	1kΩ	R19, R27	1/16W 5% chip resistor	Panasonic	ERJ-3GEYJ102V
4	2	2kΩ	R12, R13	1/16W 5% chip resistor	Panasonic	ERJ-3GEYJ202V
5	2	10kΩ	R18, R22	1/16W 5% chip resistor	Panasonic	ERJ-3GEYJ103V
6	8	100kΩ	R23-R26, R28-R31	1/16W 5% chip resistor	Panasonic	ERJ-3GEYJ104
Not installed	2		R20, R21			
7	2	18pF	C9, C14	50V ceramic chip capacitor, ±5%, NPO	Panasonic	ECJ-1VC1H180J
8	1	10000pF	C10	16V ceramic chip capacitor, ±10%, X7R	Panasonic	ECJ-1VB1C103K
9	19	0.1μF	C1, C3, C11, C15-C21, C23, C25-C32	16V ceramic chip capacitor, ±10%, X7R	Panasonic	ECJ-1VB1C104K
10	3	0.33μF	C5, C6, C13	16V ceramic chip capacitor, ±10%, X7R	Panasonic	ECJ-2YB1C334K
11	3	0.47μF	C12, C22, C24	16V ceramic chip capacitor, ±10%, X7R	Panasonic	ECJ-2YB1C474K
12	2	1μF	C2, C4	6.3V ceramic chip capacitor, ±10%, X5R	Panasonic	ECJ-1VB0J105K
13	2	10μF	C7, C8	6.3V ceramic chip capacitor, ±10%, X5R	Panasonic	ECJ-3YB0J106K
14	1		D1	Diode 1A 50V SMD MELF	Micro Commercial Components	DL4001
15	2		D2, D3	LED green clear lens 1206 SMD	Lumex	SML-LX1206GC-TR
16	1		D4	LED red clear lens 1206 SMD	Lumex	SML-LX1206IC-TR
17	1		D5	LED yellow clear lens 1206 SMD	Lumex	SML-LX1205YC-TR
18	1		D6	Diode fast switching SMD miniMELF	Diodes Incorporated	LL4148

(continued on next page)

Table 4-1. Bill of Materials (continued)

Item No.	Quantity	Value	Designator	Description	Vendor	Part Number
19	1		SP1	Piezoelectric ceramic buzzer	Panasonic	EFB-AA14D001
20	1		X1	22.1184MHz quartz crystal thru-hole	Citizen	HC49US22.11840592MABJ
Not installed	1		X2	5V 22.1184MHz programmable oscillator SMD	Epson	SG-8002CA-22.1184M-PHB
21	1		U1	16-bit SAR analog-to-digital converter (ADC)	Texas Instruments	ADS8325IBDGKT
22	1		U2	256K I ² C CMOS serial EEPROM	MicroChip	24LC256/5N
23	2		U3, U4	+5V 1A low-dropout voltage regulator	Texas Instruments	REG1117FA-5.0
24	1		U5	24-bit 8-channel intelligent ADC	Texas Instruments	MSC1211
25	1		U6	Multi-channel RS-232 line driver/receiver	Texas Instruments	MAX3243CPWR
26	2		U7, U8	Single IC buffer driver with open drain o/p	Texas Instruments	SN74LVC1G07DBVR
27	1		U9	128K x 8-bit CMOS SRAM	Brilliance Semiconductor	BS62LV1024PI-70
28	1		U10	Octal D-type latches with 3-state outputs	Texas Instruments	SN74HC573APWR
29	1		U11	Supervisory circuit active high reset	Texas Instruments	TPS3837L30DBVT
30	1		U12	Supervisory circuit active low open drain	Texas Instruments	TPS3838L30DBVT
31	1		U13	Triple 3-input NAND gates	Texas Instruments	SN74AC10PWR
32	1		U14	Single 2-input NAND gate	Texas Instruments	SN74AHC1G08DBVR
33	1		U15	Single 2-input positive NOR gate	Texas Instruments	SN74AHC1G02DBVR
34	1		U16	3-line to 8-line decoder/demultiplexer	Texas Instruments	SN74AHC138PWR
35	1		N/A	MSC1211EVM PWB	Texas Instruments	6443406
36	1		B1 (+)	9V battery clip female	Keystone Electronics	594
37	1		B1 (-)	9V battery clip male	Keystone Electronics	593
38	2		J8, J9	DB9 right angle female conn. w/board locks	Tyco/AMP	747844-4
39	1		J6	2.5mm power connector	CUI Stack	PJ-102B

(continued on next page)

Table 4-1. Bill of Materials (continued)

Item No.	Quantity	Value	Designator	Description	Vendor	Part Number
Not installed	2		J14	1 x 15 single row socket .050" spacing	Mill-Max	851-93-050-10-001 (15)
Not installed	1		J15	1 x 8 header, 0.1" spacing	Samtec	TSW-108-07-L-D
40	3		J5, J10, J11	2 contact screw terminal block, 3.5mm	On Shore Technology	ED555/2DS
41	1		J4	10 contact screw terminal block, 3.5mm	On Shore Technology	ED555/10DS
Not installed	1		J13	2 x 3 header, 0.1" spacing	Samtec	TSW-103-07-L-D
42	2		J7, J16	2 x 3 header, 0.1" spacing	Samtec	TSW-103-07-L-D
Not installed	1		J12	2 x 4 header, 0.1" spacing	Samtec	TSW-104-07-L-D
Not installed	4		J0, J1, J2, J3	2 x 5 header, 0.1" spacing	Samtec	TSW-105-07-L-D
43	4		JMP1-JMP4	2-position jumper, 0.1" spacing	Samtec	TSW-102-07-L-S
44	2		JMP5, JMP6	3-position jumper, 0.1" spacing	Samtec	TSW-103-07-L-S
45	3		SW1, SW2, SW4	Momentary pushbutton tact switch	Omron	B3F-1002
46	2		SW3, SW5	8-pos DIP switch, half pitch SMD	C&K Components, Inc.	TDA08H0SK1
47	1		TP1	Large loop test point switch	Keystone Electronics	5011
48	18		TP2-TP19	Miniature test point terminal	Keystone Electronics	5000
49	6		R20, R21, X1	Miniature spring socket	Tyco/AMP	50863-5
50	11		N/A	Shorting jumper	Samtec	SNT-100-BK-TH
51	4		N/A	1/4" x .625 hex 4-40 threaded standoff	Keystone Electronics	1808
52	4		N/A	Pan head machine screws 4-40 x 1/2" phillips	Building Fasteners	PMS 440 0050 PH
53	1		U9	32-pin low profile, open frame DIP socket	Mill-Max	115-93-632-41-003