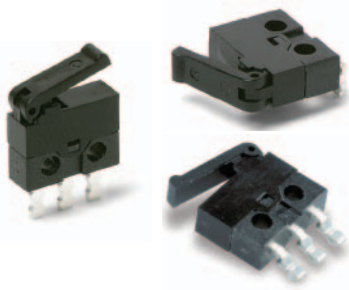


# MDS Series Micro Snap-acting Detect Switches



## Features/Benefits

- Snap-acting tactile feel
- Small package size
- Available in vertical or right angle PCB mount
- RoHS compliant and compatible

## Typical Applications

- Detect the presence of a mechanical device
- Medical devices
- Consumer electronic devices
- ATCA or MicroTCA devices

## Specifications

CONTACT RATING: 300mA @ 30 VDC.  
 MECHANICAL & ELECTRICAL LIFE: 30,000 operations.  
 CONTACT RESISTANCE: 100 m Ω max.  
 OPERATING TEMPERATURE: -25°C to +70°C.  
 SOLDERABILITY: According to lead free solder profiles.  
 PACKAGING: Available in bulk or tape and reel.  
 OPERATING FORCE: 50 g Max.  
 RELEASE FORCE: 3g Min.

## Materials

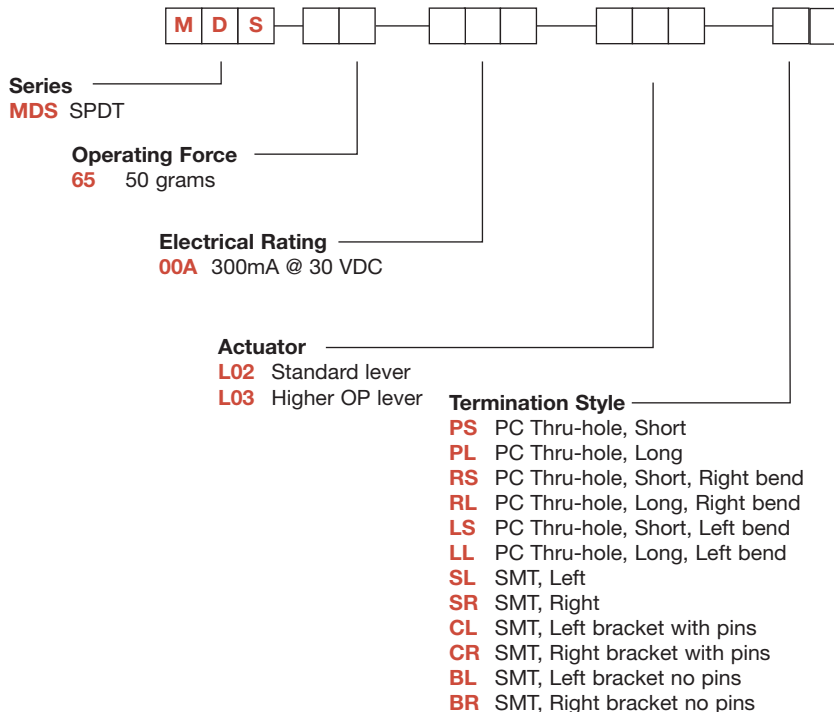
BASE: PA9T  
 COVER & ACTUATOR: PA9T  
 MOVABLE CONTACT: Copper alloy, silver plated.  
 STATIONARY CONTACTS: Copper alloy, silver plated.  
 TERMINALS: Copper alloy, silver plated.

**NOTE:** MDS series is RoHS compliant, and compatible. See technical data section of this catalog for RoHS compliant and compatible definitions and specifications.

**NOTE:** Specifications and materials listed above are for switches with standard options. For information on specific and custom switches, consult Customer Service Center.

## Build-A-Switch

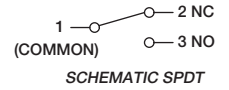
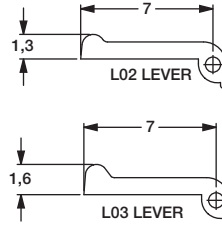
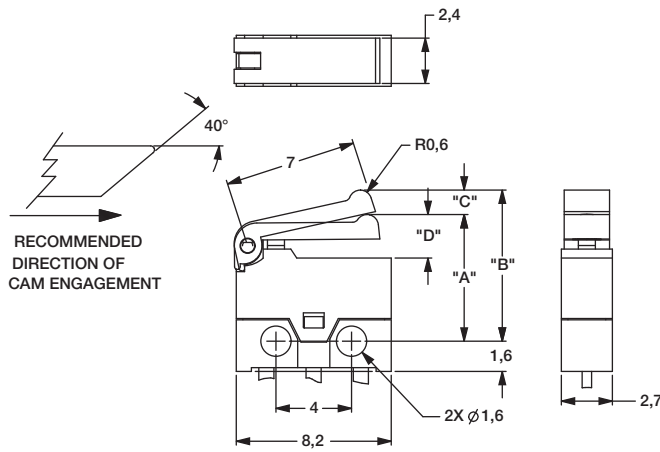
To order, simply select desired option from each category and place in the appropriate box. Available options are shown and described on pages E-11 and E-15. For additional options not shown in catalog, consult Customer Service Center.



Detect

# MDS Series Micro Snap-acting Detect Switches

SERIES **MDS**



OPERATING CHARACTERISTICS			
		LEVER L02	LEVER L03
OPERATING POSITION	DIM 'A'	6.7±0.5	7.0 +/-0.5
FREE POSITION	DIM 'B'	8 MAX	8.5 MAX
PRETRAVEL	DIM 'C'	1,8 MAX	1,8 MAX
OVER TRAVEL	DIM 'D'	0,3 MIN	0,3 MIN
CONTACT RATING		0.3A @ 30 VDC	0.3A @ 30VDC
OPERATING FORCE		50 GRAMS F. MAX	50 GRAMS F. MAX

OPERATING FORCE

OPTION CODE	OPERATING FORCE
<b>65</b>	50 grams max.

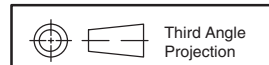
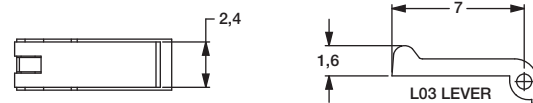
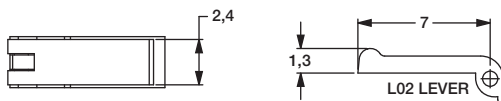
ELECTRICAL RATING

OPTION CODE	ELECTRICAL RATING
<b>00A</b>	300mA @ 30 V DC

ACTUATOR

**L02** STANDARD LEVER

**L03** HIGHER OP LEVER

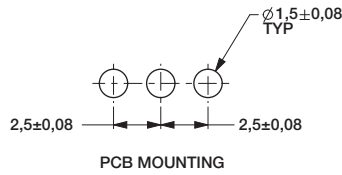


Detect

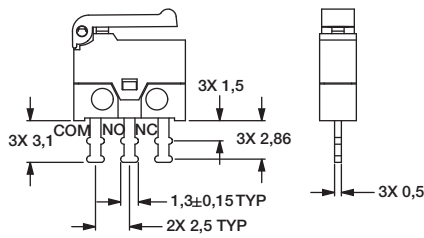
# MDS Series Micro Snap-acting Detect Switches

## TERMINATIONS

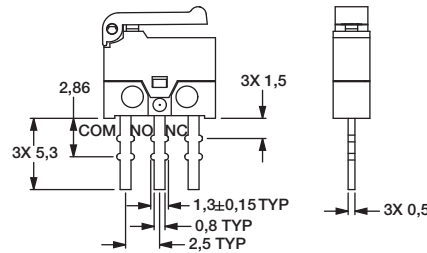
### PCB Mounting Pattern



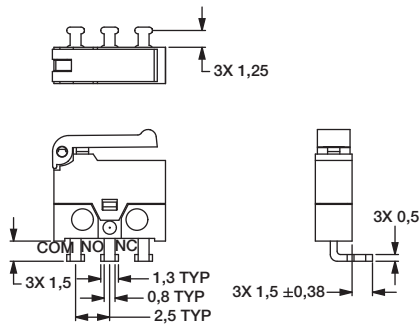
**PS** PC THRU-HOLE, SHORT STRAIGHT



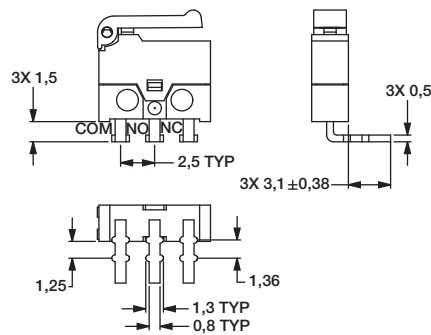
**PL** PC THRU-HOLE, LONG STRAIGHT



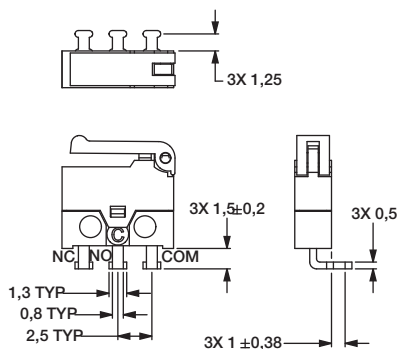
**RS** PC THRU-HOLE, SHORT RIGHT BEND



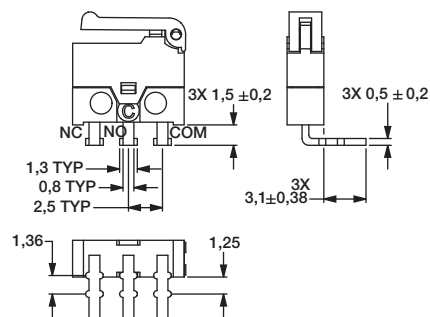
**RL** PC THRU-HOLE, LONG SHORT BEND



**LS** PC THRU-HOLE, SHORT LEFT BEND



**LL** PC THRU-HOLE, LONG LEFT BEND



E

Detect



Dimensions are shown: mm

Specifications and dimensions subject to change

# MDS Series Micro Snap-acting Detect Switches

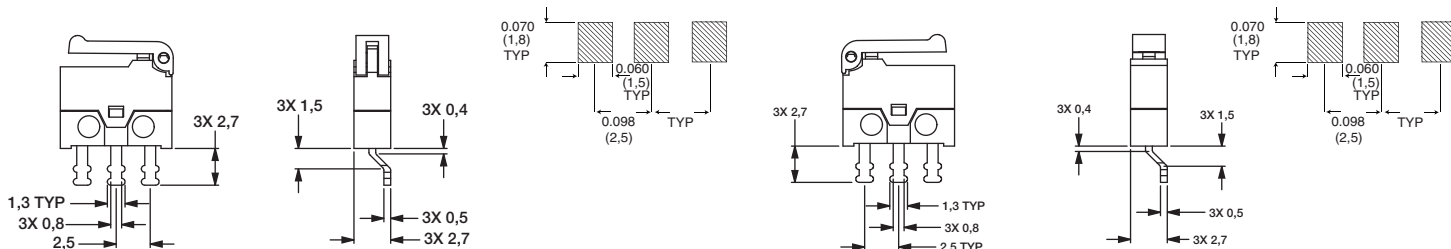
## TERMINATIONS

**SL** SMT, LEFT MOUNT

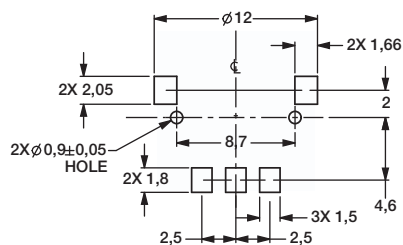
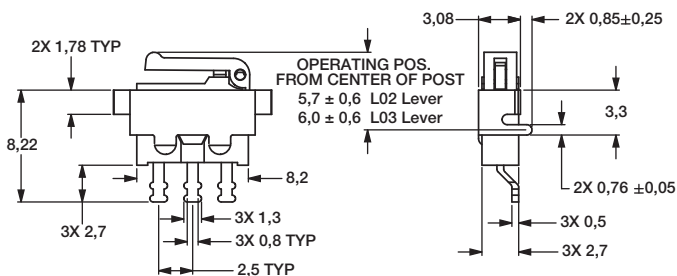
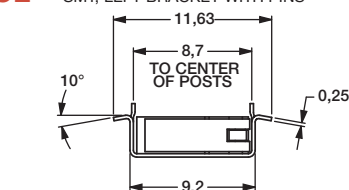
**SMT Mounting Pattern**

**SR** SMT, RIGHT MOUNT

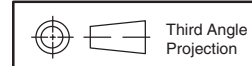
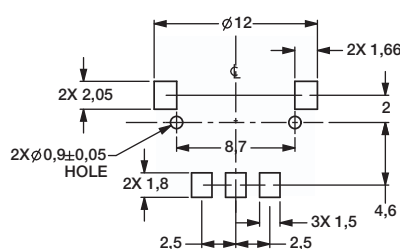
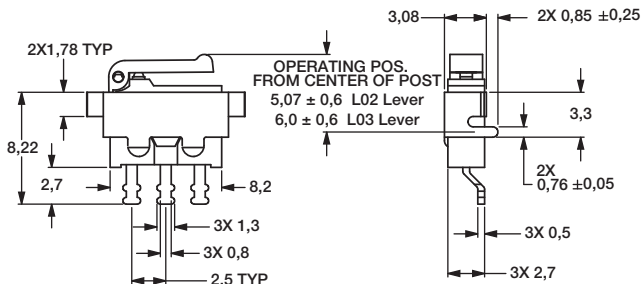
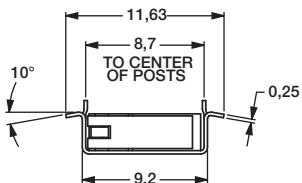
**SMT Mounting Pattern**



**CL** SMT, LEFT BRACKET WITH PINS



**CR** SMT, RIGHT BRACKET WITH PINS



Third Angle  
Projection

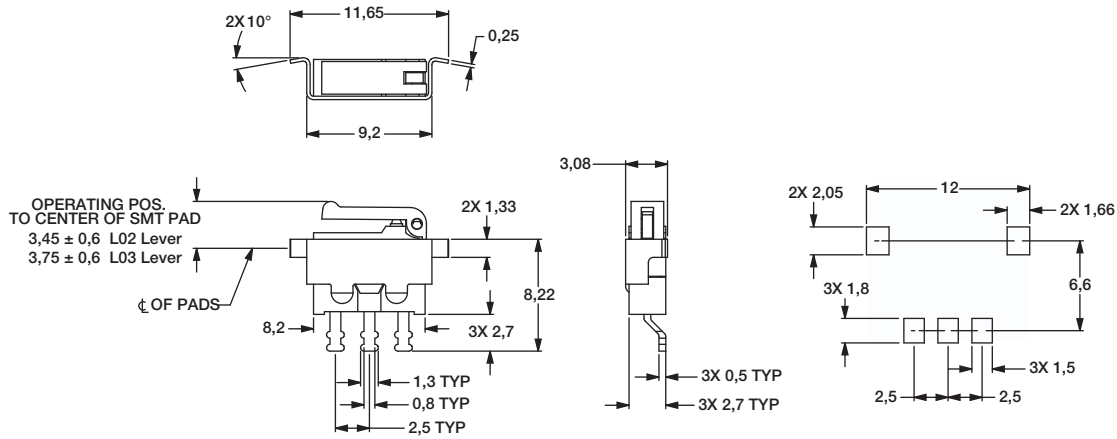
Dimensions are shown in mm  
Specifications and dimensions subject to change



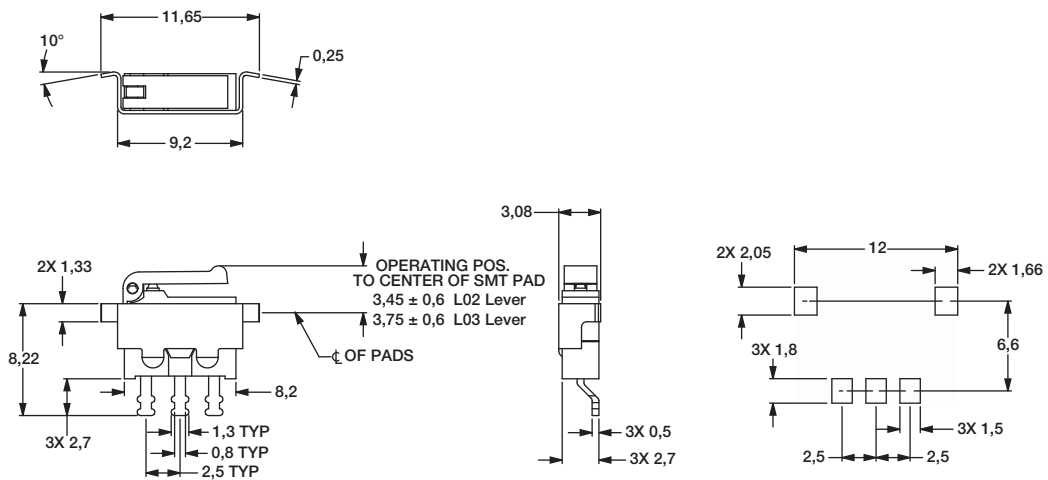
# MDS Series Micro Snap-acting Detect Switches

## TERMINATIONS

### BL SMT, LEFT BRACKET NO PINS



### BR SMT, RIGHT BRACKET NO PINS



E

Detect



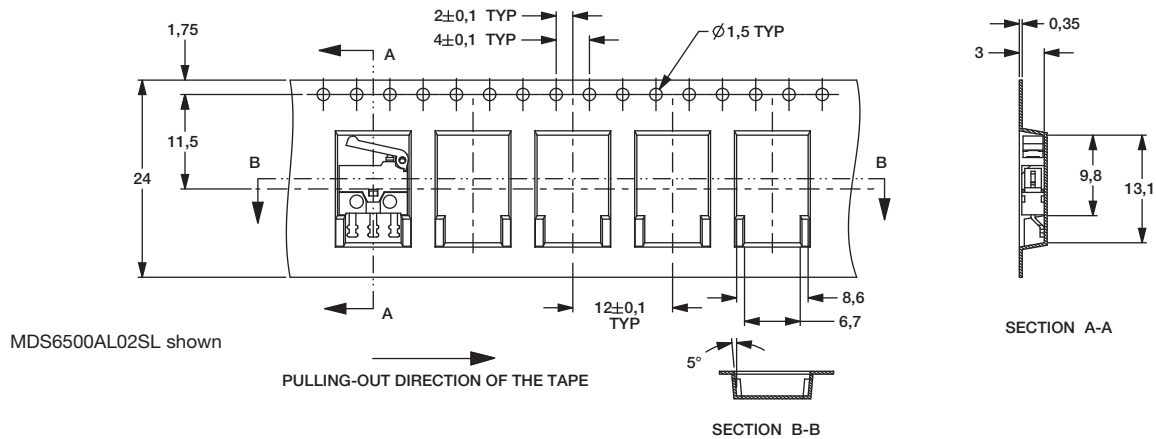
Dimensions are shown: mm  
Specifications and dimensions subject to change

# MDS Series Micro Snap-acting Detect Switches

## TAPE & REEL

**SL** SMT, LEFT MOUNT

**SR** SMT, RIGHT MOUNT

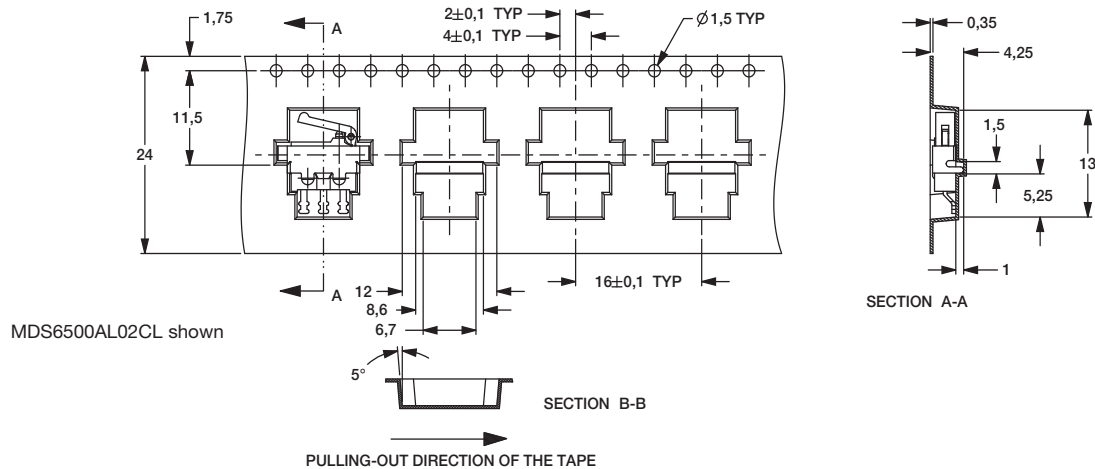


**CL** SMT, LEFT MOUNT

**CR** SMT, RIGHT MOUNT

**BL** SMT, LEFT MOUNT

**BR** SMT, RIGHT MOUNT

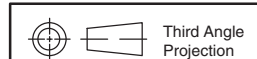


Supplied in carrier tape meeting the EIA-481-2 standard for 24mm tape.

Packaging quantity: SL and SR; 1,600 pieces per reel  
CL, CR, BL and BR; 1,000 pieces per reel



Detect



Dimensions are shown: mm  
Specifications and dimensions subject to change