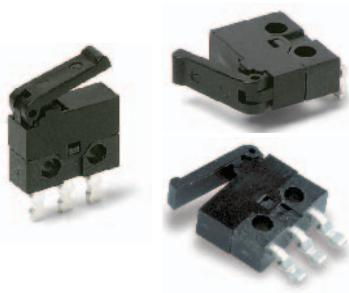


MDS Series Micro Snap-acting Detect Switches



Features/Benefits

- Snap-acting tactile feel
- Small package size
- Available in vertical or right angle PCB mount
- RoHS compliant and compatible

Typical Applications

- Detect the presence of a mechanical device
- Medical devices
- Consumer electronic devices
- ATCA applications

Specifications

CONTACT RATING: 300mA @ 30 VDC.
 MECHANICAL & ELECTRICAL LIFE: 30,000 operations.
 CONTACT RESISTANCE: 100 m Ω max. initial
 OPERATING TEMPERATURE: -25°C to +70°C.
 SOLDERABILITY: According to lead free solder profiles.
 PACKAGING: Available in bulk or tape and reel.
 OPERATING FORCE: 50g Max.
 RELEASE FORCE: 3g Min.

Materials

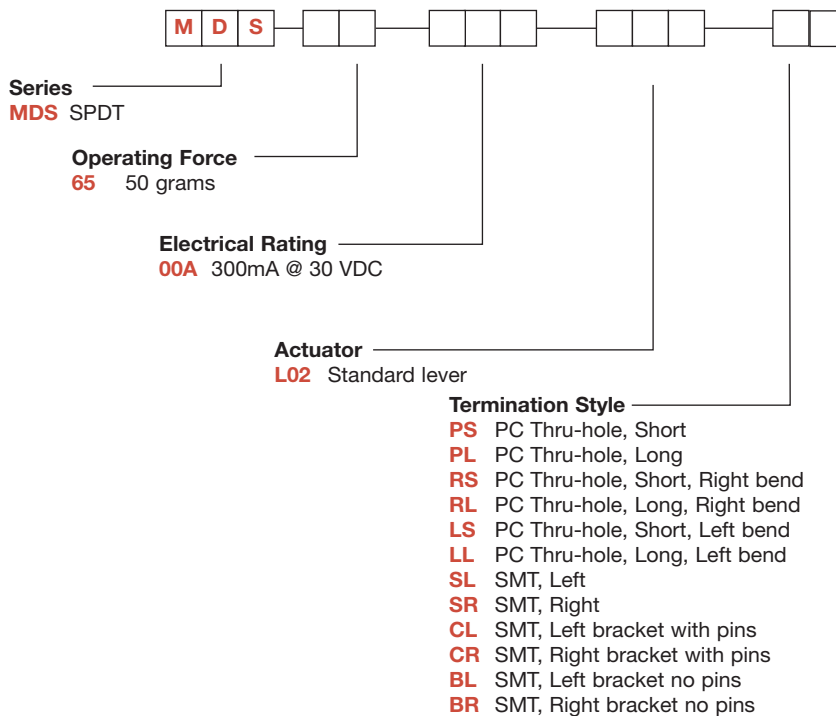
BASE: PA9T
 COVER & ACTUATOR: PA9T
 MOVABLE CONTACT: Copper alloy, silver plated.
 STATIONARY CONTACTS: Copper alloy, silver plated.
 TERMINALS: Copper alloy, silver plated.

NOTE: MDS series is RoHS compliant, and compatible. See technical data section of this catalog for RoHS compliant and compatible definitions and specifications.

NOTE: Specifications and materials listed above are for switches with standard options. For information on specific and custom switches, consult Customer Service Center.

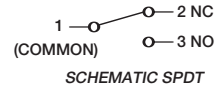
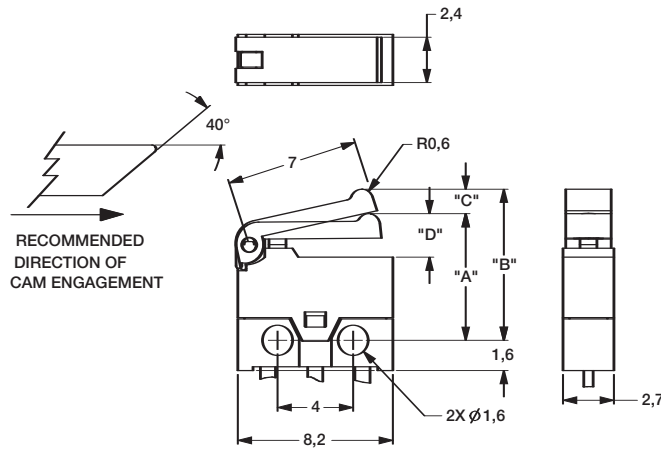
Build-A-Switch

To order, simply select desired option from each category and place in the appropriate box. Available options are shown and described on pages J-44 and J-48. For additional options not shown in catalog, consult Customer Service Center.



MDS Series Micro Snap-acting Detect Switches

SERIES **MDS** ■■■■■■



OPERATING CHARACTERISTICS		
OPERATING POSITION	DIM 'A'	6.7±0.5
FREE POSITION	DIM 'B'	8 MAX
PRETRAVEL	DIM 'C'	1.8 MAX
OVER TRAVEL	DIM 'D'	0.15 MIN
CONTACT RATING		0.3A @ 30 VDC
OPERATING FORCE		50 GRAMS F. MAX

OPERATING FORCE ■■■■■■

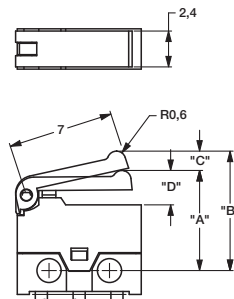
OPTION CODE	OPERATING FORCE
65	50 grams max.

ELECTRICAL RATING ■■■■■■

OPTION CODE	ELECTRICAL RATING
00A	300mA @ 30 V DC

ACTUATOR ■■■■■■

L02 STANDARD LEVER



Dimensions are shown: mm
Specifications and dimensions subject to change

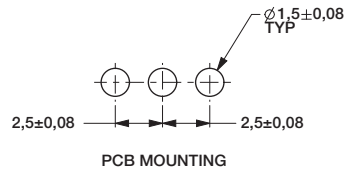


Snap-acting

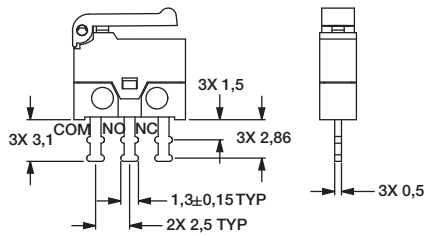
MDS Series Micro Snap-acting Detect Switches

TERMINATIONS

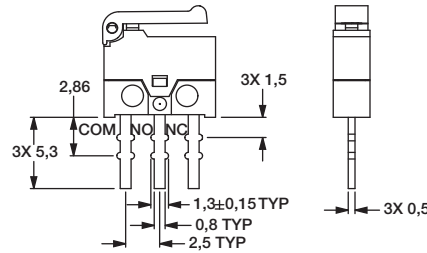
PCB Mounting Pattern



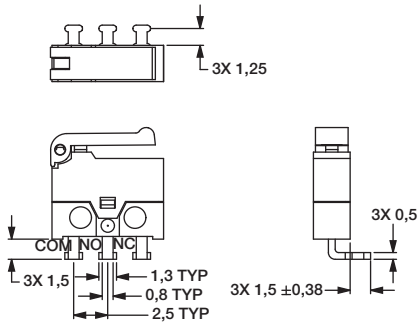
PS PC THRU-HOLE, SHORT STRAIGHT



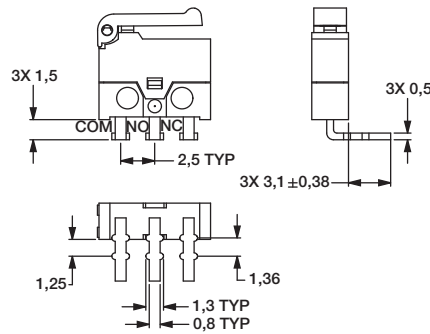
PL PC THRU-HOLE, LONG STRAIGHT



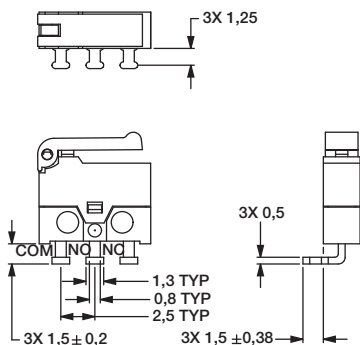
RS PC THRU-HOLE, SHORT RIGHT BEND



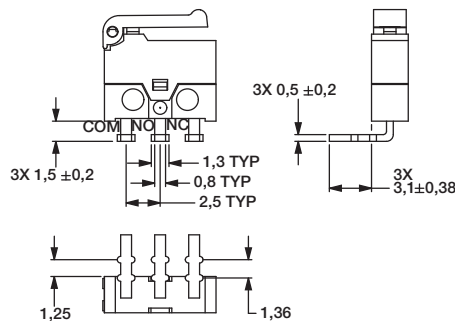
RL PC THRU-HOLE, LONG SHORT BEND



LS PC THRU-HOLE, SHORT LEFT BEND



LL PC THRU-HOLE, LONG LEFT BEND



Snap-acting



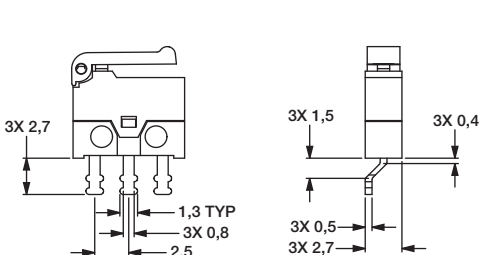
Third Angle
Projection

Dimensions are shown: mm
Specifications and dimensions subject to change

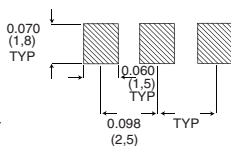
MDS Series Micro Snap-acting Detect Switches

TERMINATIONS

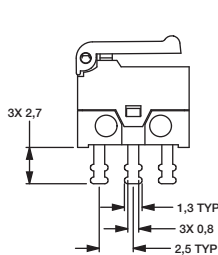
SL SMT, LEFT MOUNT



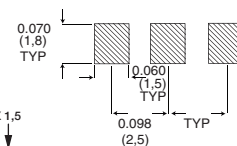
SMT Mounting Pattern



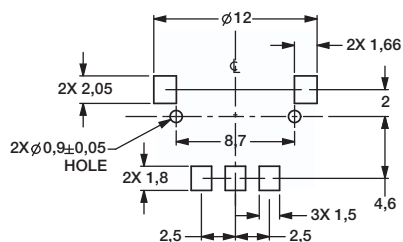
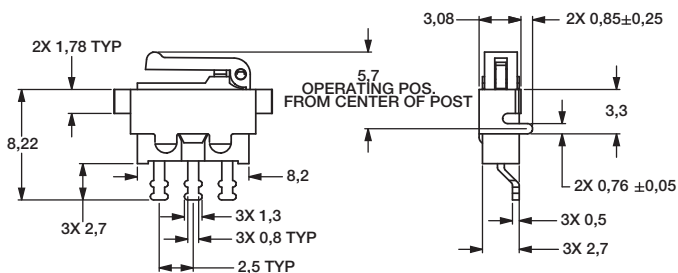
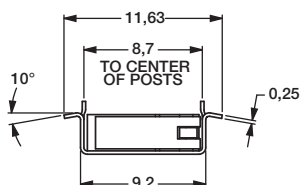
SR SMT, RIGHT MOUNT



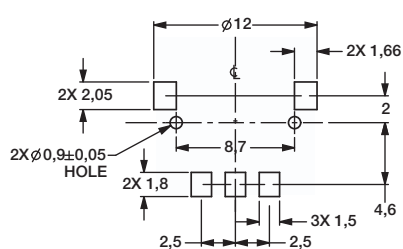
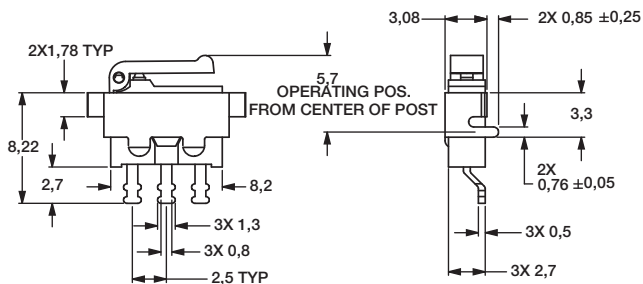
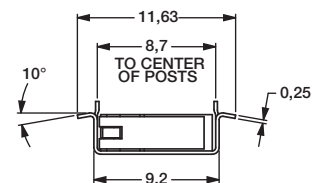
SMT Mounting Pattern



CL SMT, LEFT BRACKET WITH PINS



CR SMT, RIGHT BRACKET WITH PINS



Third Angle
Projection

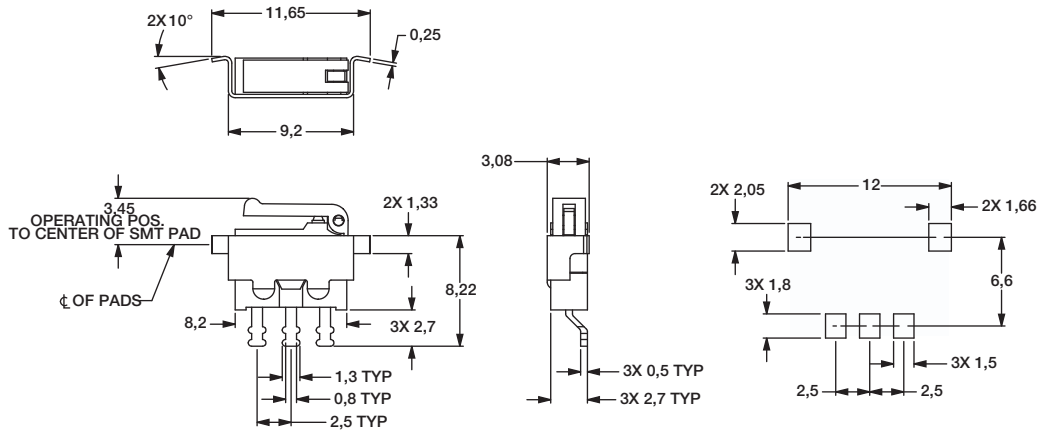
Dimensions are shown: mm
Specifications and dimensions subject to change



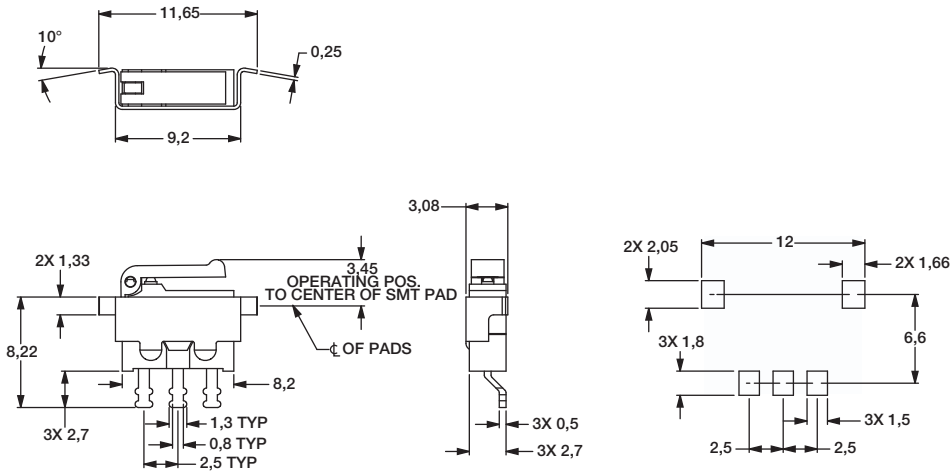
MDS Series Micro Snap-acting Detect Switches

TERMINATIONS

BL SMT, LEFT BRACKET NO PINS



BR SMT, RIGHT BRACKET NO PINS



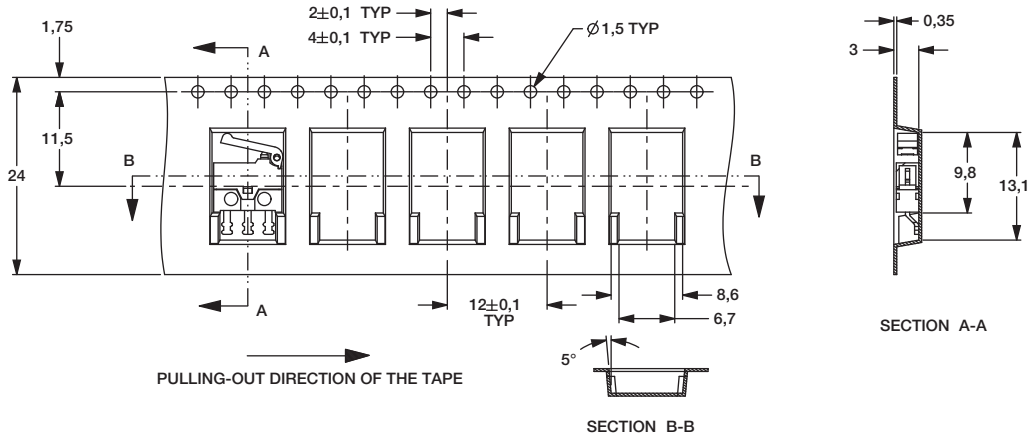
Snap-acting

MDS Series Micro Snap-acting Detect Switches

TAPE AND REEL

SL SMT, LEFT MOUNT

SR SMT, RIGHT MOUNT

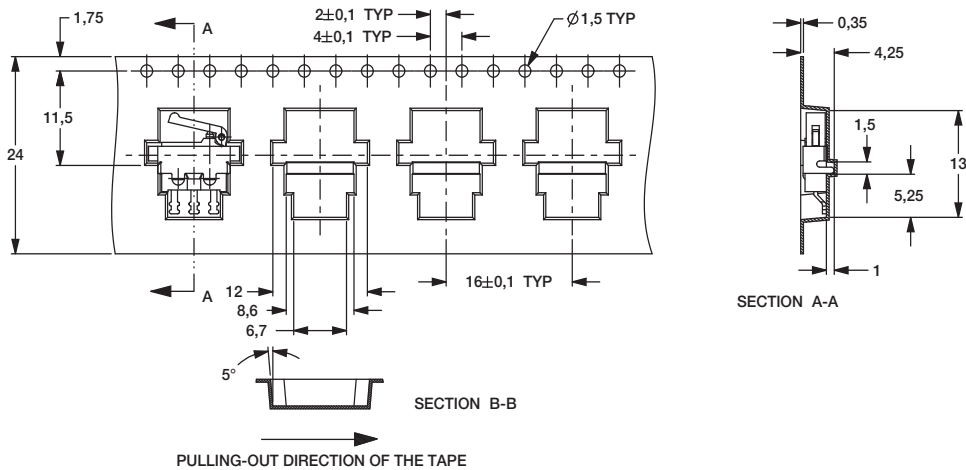


CL SMT, LEFT MOUNT

CR SMT, RIGHT MOUNT

BL SMT, LEFT MOUNT

BR SMT, RIGHT MOUNT



Supplied in carrier tape meeting the EIA-481-2 standard for 24mm tape.

Packaging quantity: SL and SR; 1,600 pieces per reel
CL, CR, BL and BR; 1,000 pieces per reel



Dimensions are shown: mm
Specifications and dimensions subject to change