

MC3450, MC3452, MC3550, MC3552 QUAD DIFFERENTIAL LINE RECEIVERS

SLLS012B – FEBRUARY 1986 – REVISED FEBRUARY 1993

- Four Independent Receivers With Common Enable Input
- High Input Sensitivity . . . 25 mV Max
- High Input Impedance
- MC3450 and MC3550 Have 3-State Outputs
- MC3452 Has Open-Collector Outputs
- Glitch-Free Power-Up/Power-Down Operation

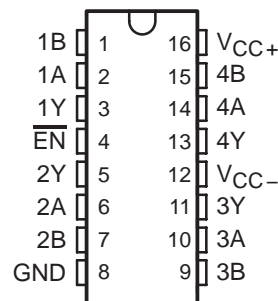
description

The MC3450, MC3550, MC3452, and MC3552 are quad differential line receivers designed for use in balanced and unbalanced digital data transmission. The MC34/3550 and MC34/3552 are the same except that the MC3450 and MC3550 have 3-state outputs whereas the MC3452 and MC3552 have open-collector outputs, which permit the wire-AND function with similar output devices. The 3-state and open-collector outputs permit connection directly to a bus-organized system.

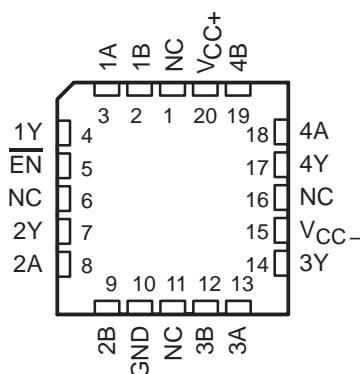
The MC3450, MC3550, MC3452, and MC3550 are designed for optimum performance when used with either the MC3453 or MC3553 quad differential line driver or SN75109A, SN75110A, and SN75112 dual differential drivers.

The MC3450 and MC3452 are characterized for operation from 0°C to 70°C. The MC3550 and MC3552 are characterized for operation over the full military temperature range of -55°C to 125°C.

MC3450, MC3452 . . . D OR N PACKAGE
MC3550, MC3552 . . . J PACKAGE
(TOP VIEW)



MC3550, MC3552 . . . FK PACKAGE
(TOP VIEW)



NC – No internal connection

**THE MC3452 IS NOT
RECOMMENDED FOR NEW DESIGN**

FUNCTION TABLE

DIFFERENTIAL INPUTS A – B	ENABLE \overline{EN}	OUTPUT Y
$V_{ID} \geq 25 \text{ mV}$	L	H
$-25 \text{ mV} < V_{ID} < 25 \text{ mV}$	L	?
$V_{ID} \leq 25 \text{ mV}$	L	L
X	H	Z

H = high level, L = low level, ? = indeterminate,
X = impedance (off)

PRODUCTION DATA information is current as of publication date. Products conform to specifications per the terms of Texas Instruments standard warranty. Production processing does not necessarily include testing of all parameters.



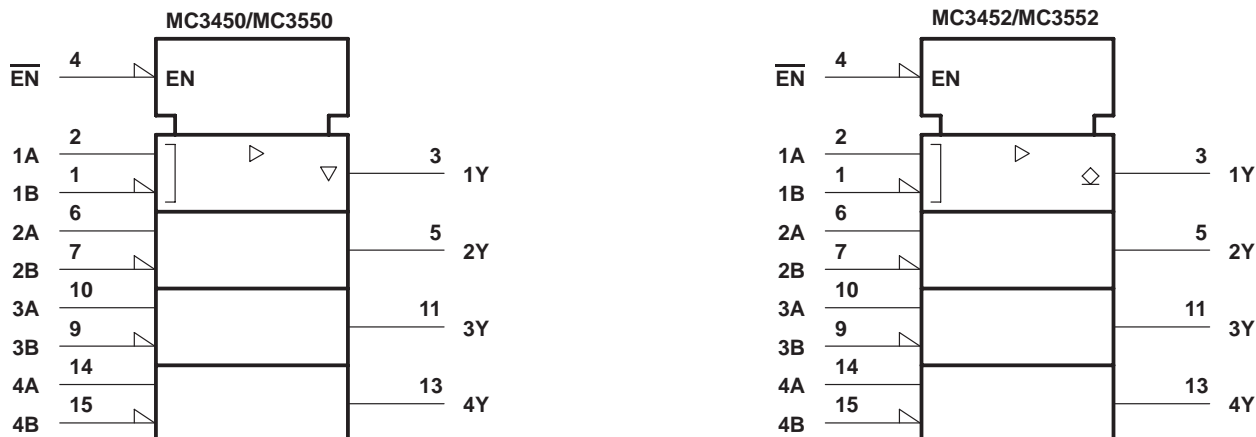
POST OFFICE BOX 655303 • DALLAS, TEXAS 75265
POST OFFICE BOX 1443 • HOUSTON, TEXAS 77251-1443

Copyright © 1993, Texas Instruments Incorporated

MC3450, MC3452, MC3550, MC3552 QUAD DIFFERENTIAL LINE RECEIVERS

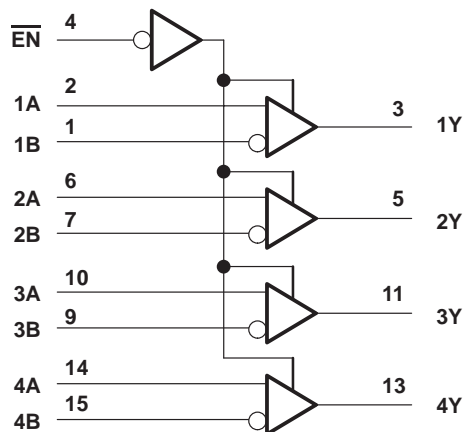
SLLS012B – FEBRUARY 1986 – REVISED FEBRUARY 1993

logic symbols†



† These symbols are in accordance with ANSI/IEEE Std 91-1984 and IEC Publication 617-12.

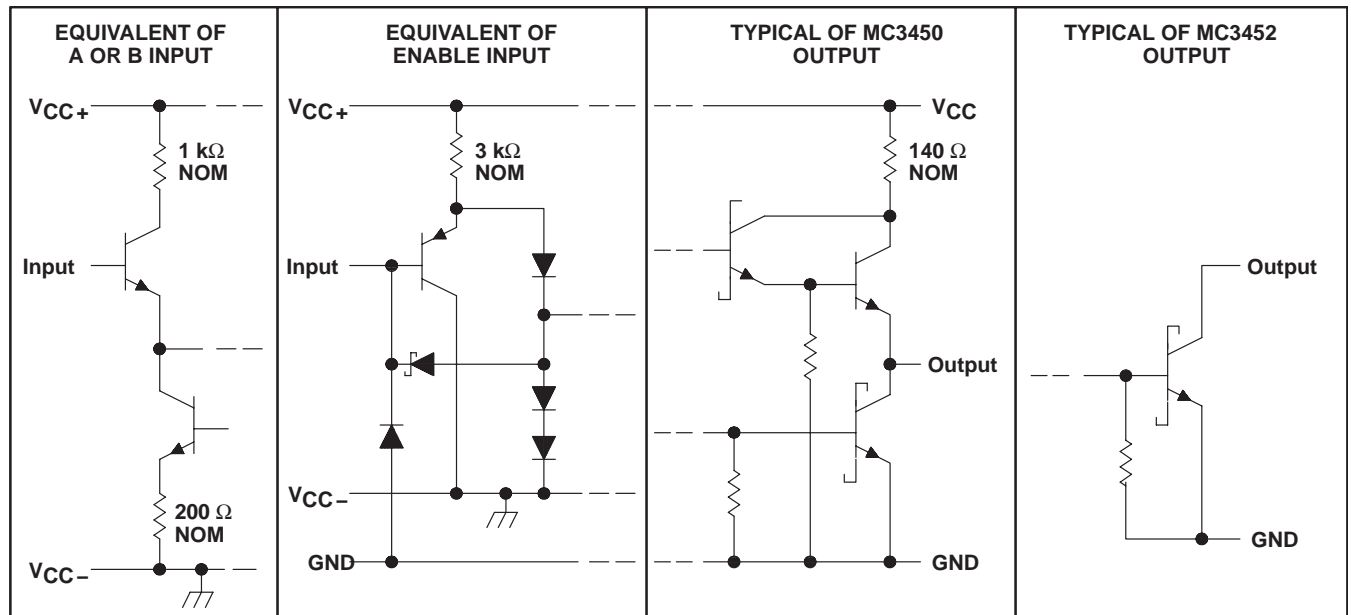
logic diagram (positive logic)



MC3450, MC3452, MC3550, MC3552 QUAD DIFFERENTIAL LINE RECEIVERS

SLLS012B – FEBRUARY 1986 – REVISED FEBRUARY 1993

schematics of inputs and outputs



absolute maximum ratings over operating free-air temperature range (unless otherwise noted)

Supply voltage, V_{CC+} (see Note 1)	7 V
Supply voltage, V_{CC-}	-7 V
Differential input voltage (see Note 2)	± 6 V
Common-mode input voltage (see Note 3)	± 5 V
Enable input voltage	5.5 V
Continuous total dissipation	See Dissipation Rating Table
Operating free-air temperature range	0°C to 70°C
Storage temperature range	-65°C to 150°C
Case temperature for 60 seconds: FK package	260°C
Lead temperature 1,6 mm (1/16 inch) from case for 10 seconds: D or N package	260°C
Lead temperature 1,6 mm (1/16 inch) from case for 60 seconds: J package	300°C

- NOTES: 1. All voltage values, except differential input voltage, are with respect to network ground terminal.
 2. Differential input voltage is measured at the noninverting input with respect to the corresponding inverting input.
 3. Common-mode input voltage is the average of the voltages at the A and B inputs.

DISSIPATION RATING TABLE

PACKAGE	$T_A \leq 25^\circ\text{C}$ POWER RATING	OPERATING FACTOR ABOVE $T_A = 25^\circ\text{C}$	$T_A = 70^\circ\text{C}$ POWER RATING	$T_A = 125^\circ\text{C}$ POWER RATING
D	950 mW	7.6 mW/°C	608 mW	—
FK	1375 mW	11.0 mW/°C	880 mW	275 mW
J	1375 mW	11.0 mW/°C	880 mW	275 mW
N	1150 mW	9.2 mW/°C	736 mW	—



MC3450, MC3452, MC3550, MC3552 QUAD DIFFERENTIAL LINE RECEIVERS

SLLS012B – FEBRUARY 1986 – REVISED FEBRUARY 1993

recommended operating conditions

		MIN	NOM	MAX	UNIT
Supply voltage, V_{CC+}	$T_A \geq 25^\circ\text{C}$	4.5	5	5.5	V
	$T_A < 25^\circ\text{C}$	4.75	5	5.5	
Supply voltage, V_{CC-}	$T_A \geq 25^\circ\text{C}$	-4.5	-5	-5.5	V
	$T_A < 25^\circ\text{C}$	-4.75	-5	-5.5	
High-level enable input voltage, V_{IH}		2			V
Low-level enable input voltage, V_{IL}		0.8			V
Low-level output current, I_{OL}		-16			mA
Differential input voltage, V_{ID} (see Note 4)		-5 [†]	5		V
Common-mode input voltage, V_{IC} (see Note 4)		-3 [†]	3		V
Input voltage range, any different input to GND		-5 [†]	3		V
Operating free-air temperature, T_A	MC3450, MC3452	0		70	°C
	MC3550, MC3552	-55		125	

[†] The algebraic convention, in which the less positive (more negative) limit is designated minimum, is used in this data sheet for common-mode input voltage.

NOTE 4: The recommended combinations of input voltages fall within the shaded area of Figure 1.

RECOMMENDED COMBINATIONS OF INPUT VOLTAGES

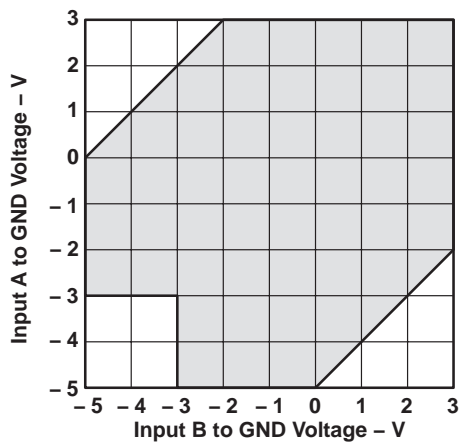


Figure 1



MC3450, MC3452, MC3550, MC3552 QUAD DIFFERENTIAL LINE RECEIVERS

SLLS012B – FEBRUARY 1986 – REVISED FEBRUARY 1993

electrical characteristics over recommended operating free-air temperature range, $V_{CC\pm} = \text{MAX}$ (unless otherwise noted)

PARAMETER		TEST CONDITIONS	MC3450, MC3550			MC3452, MC3552			UNIT
			MIN	TYP†	MAX	MIN	TYP†	MAX	
V_{OH}	High-level output voltage	$V_{CC\pm} = \pm 4.75 \text{ V}$, $V_{ID} = 25 \text{ mV}$, $\overline{\text{EN}}$ at 0.8 V, $I_{OH} = -400 \mu\text{A}$, $V_{IC} = -3 \text{ V to } 3 \text{ V}$	2.4						V
V_{OL}	Low-level output voltage	$V_{CC\pm} = \pm 4.75 \text{ V}$, $V_{ID} = -25 \text{ mV}$, $\overline{\text{EN}}$ at 2 V, $I_{OL} = 16 \text{ mA}$, $V_{IC} = -3 \text{ V to } 3 \text{ V}$	0.5			0.5			V
I_{OH}	High-level output current	$V_{CC\pm} = \pm 4.75 \text{ V}$, $V_{OH} = 5.25 \text{ V}$				250			μA
I_{IH}	High-level input current	A inputs	$V_{ID} = -2 \text{ V}$			30 75			μA
		B inputs	$V_{ID} = -2 \text{ V}$			30 75			μA
		$\overline{\text{EN}}$	$V_{IH} = 2.4 \text{ V}$			40			μA
			$V_{IH} = 5.25 \text{ V}$			1			mA
I_{IL}	Low-level input current	A inputs	$V_{ID} = 2 \text{ V}$			-10			μA
		B inputs	$V_{ID} = 2 \text{ V}$			-10			μA
		$\overline{\text{EN}}$	$V_{IL} = 0.4 \text{ V}$			-1.6			mA
I_{OZ}	High-impedance state output current		$V_O = 2.4 \text{ V}$			40			μA
			$V_O = 0.4 \text{ V}$			-40			μA
I_{OS}	Short-circuit output current‡	$V_{ID} = 25 \text{ mV}$, $V_O = 0$, $\overline{\text{EN}}$ at 0.8 V	-18			-70			mA
I_{CCH+}	Supply current from V_{CC+} , outputs high	A inputs at GND, B inputs at 3 V, $\overline{\text{EN}}$ at 3 V	60			60			mA
I_{CCH-}	Supply current from V_{CC-} , outputs high		-30			-30			mA

† All typical values are at $V_{CC+} = 5 \text{ V}$, $V_{CC-} = -5 \text{ V}$, $T_A = 25^\circ\text{C}$.

‡ Not more than one output should be shorted at a time.

switching characteristics, $V_{CC\pm} = \pm 5 \text{ V}$, $T_A = 25^\circ\text{C}$

PARAMETER	FROM (INPUT)	TO (OUTPUT)	TEST CONDITIONS	MC3450, MC3550			MC3452, MC3552			UNIT
				MIN	TYP†	MAX	MIN	TYP†	MAX	
t_{PLH}	A and B	Y	$C_L = 50 \text{ pF}$, See Figure 2	17 25						ns
			$C_L = 15 \text{ pF}$, See Figure 2				19 25			
t_{PHL}	A and B	Y	$C_L = 50 \text{ pF}$, See Figure 2	17 25						ns
			$C_L = 15 \text{ pF}$, See Figure 2				19 25			
t_{PZH}	$\overline{\text{EN}}$	Y	$C_L = 50 \text{ pF}$, See Figure 2	21						ns
t_{PZL}	$\overline{\text{EN}}$	Y		27						
t_{PHZ}	$\overline{\text{EN}}$	Y	$C_L = 15 \text{ pF}$, See Figure 3	18						ns
t_{PLZ}	$\overline{\text{EN}}$	Y		29						
t_{PLH}	$\overline{\text{EN}}$	Y	$C_L = 15 \text{ pF}$, See Figure 4				25			ns
t_{PHL}	$\overline{\text{EN}}$	Y	$C_L = 15 \text{ pF}$, See Figure 4				25			ns

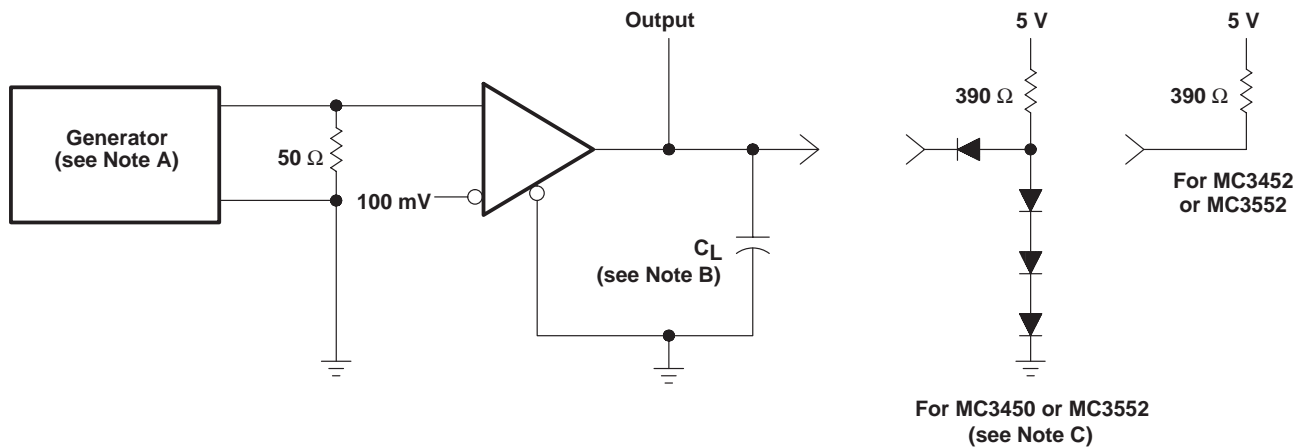
† All typical values are at $V_{CC+} = 5 \text{ V}$, $V_{CC-} = -5 \text{ V}$, $T_A = 25^\circ\text{C}$.



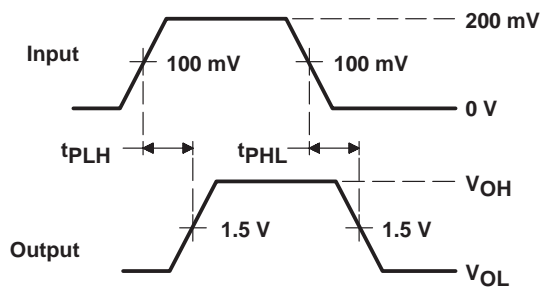
MC3450, MC3452, MC3550, MC3552 QUAD DIFFERENTIAL LINE RECEIVERS

SLLS012B – FEBRUARY 1986 – REVISED FEBRUARY 1993

PARAMETER MEASUREMENT INFORMATION



TEST CIRCUIT



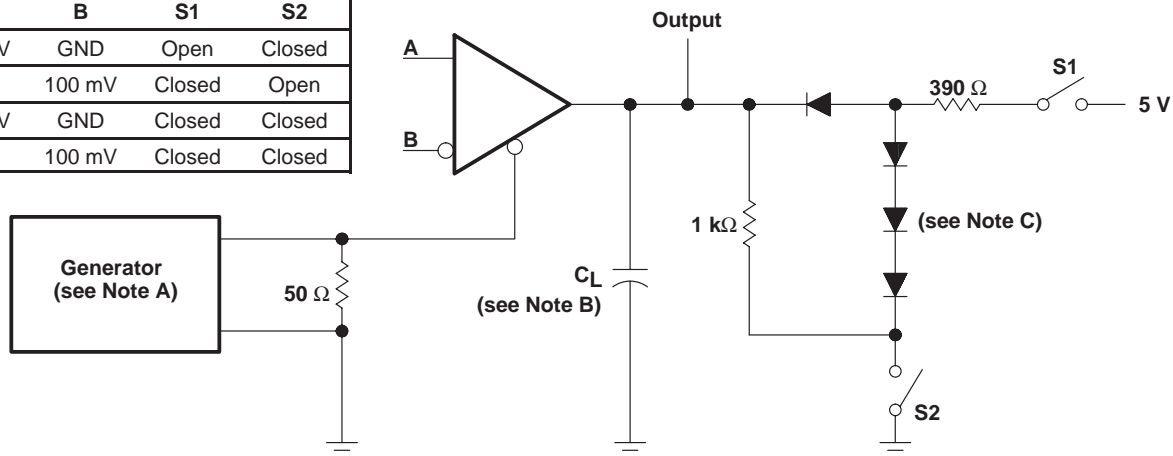
VOLTAGE WAVEFORMS

- NOTES: A. The input pulse is supplied by a generator having the following characteristics: PRR \leq 1 MHz, duty cycle = 50%, $t_r \leq$ 6 ns, $t_f \leq$ 6 ns.
 B. C_L includes probe and jig capacitance.
 C. All diodes are 1N916 or equivalent.

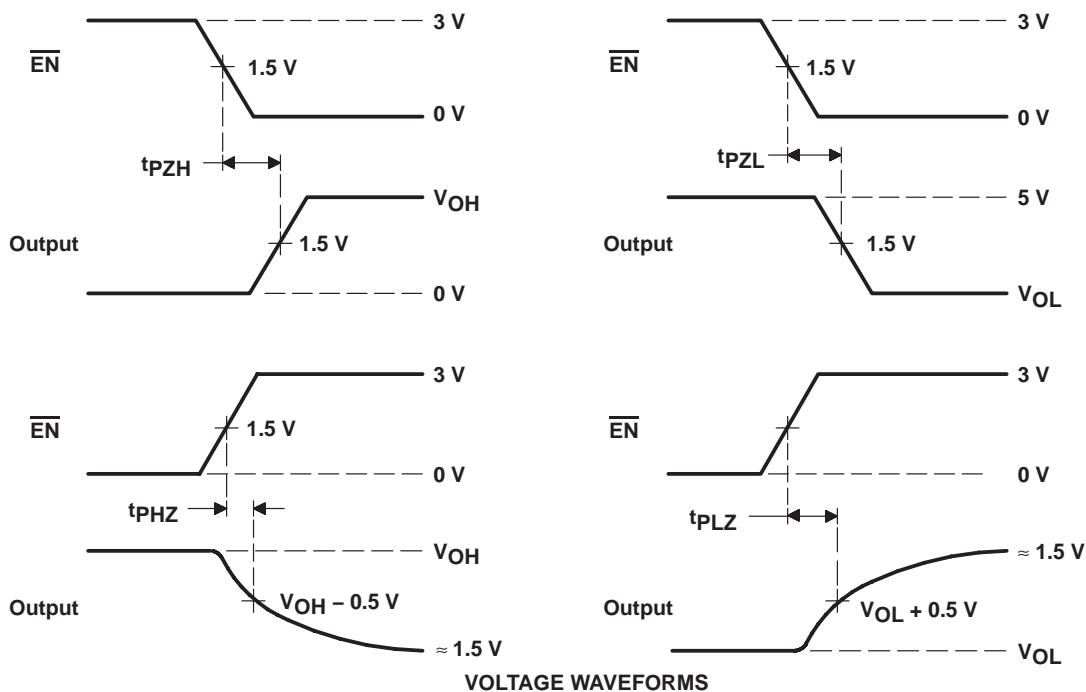
Figure 2. Test Circuit and Voltage Waveforms

PARAMETER MEASUREMENT INFORMATION

	A	B	S1	S2
t _{PZH}	100 mV	GND	Open	Closed
t _{PZL}	GND	100 mV	Closed	Open
t _{PHZ}	100 mV	GND	Closed	Closed
t _{PLZ}	GND	100 mV	Closed	Closed



TEST CIRCUIT



VOLTAGE WAVEFORMS

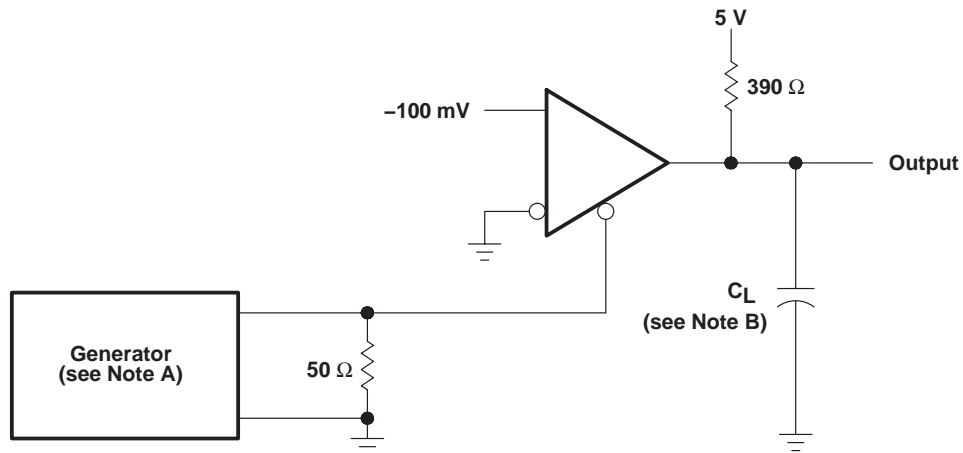
NOTES: A. The input pulse is supplied by a generator having the following characteristics: PRR ≤ 1 MHz, duty cycle = 50%, t_r ≤ 6 ns, t_f ≤ 6 ns.
B. C_L includes probe and jig capacitance.
C. All diodes are 1N916 or equivalent.

Figure 3. MC3450 and MC3550 Test Circuit and Voltage Waveforms

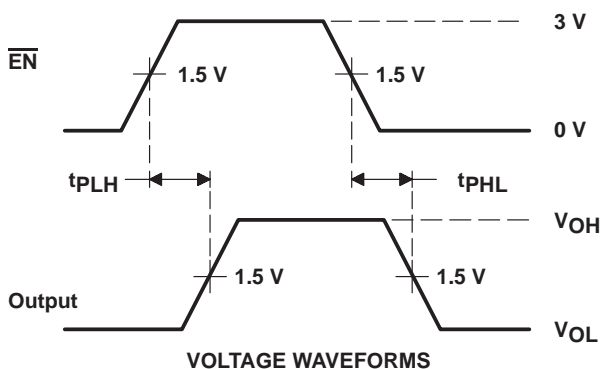
MC3450, MC3452, MC3550, MC3552 QUAD DIFFERENTIAL LINE RECEIVERS

SLLS012B – FEBRUARY 1986 – REVISED FEBRUARY 1993

PARAMETER MEASUREMENT INFORMATION



TEST CIRCUIT



VOLTAGE WAVEFORMS

- NOTES: A. The input pulse is supplied by a generator having the following characteristics: $PRR \leq 1\text{ MHz}$, duty cycle = 50%, $t_r \leq 6\text{ ns}$, $t_f \leq 6\text{ ns}$.
 B. C_L includes probe and jig capacitance.

Figure 4. MC3452 and MC3552 Test Circuit and Voltage Waveforms



IMPORTANT NOTICE

Texas Instruments Incorporated and its subsidiaries (TI) reserve the right to make corrections, modifications, enhancements, improvements, and other changes to its products and services at any time and to discontinue any product or service without notice. Customers should obtain the latest relevant information before placing orders and should verify that such information is current and complete. All products are sold subject to TI's terms and conditions of sale supplied at the time of order acknowledgment.

TI warrants performance of its hardware products to the specifications applicable at the time of sale in accordance with TI's standard warranty. Testing and other quality control techniques are used to the extent TI deems necessary to support this warranty. Except where mandated by government requirements, testing of all parameters of each product is not necessarily performed.

TI assumes no liability for applications assistance or customer product design. Customers are responsible for their products and applications using TI components. To minimize the risks associated with customer products and applications, customers should provide adequate design and operating safeguards.

TI does not warrant or represent that any license, either express or implied, is granted under any TI patent right, copyright, mask work right, or other TI intellectual property right relating to any combination, machine, or process in which TI products or services are used. Information published by TI regarding third-party products or services does not constitute a license from TI to use such products or services or a warranty or endorsement thereof. Use of such information may require a license from a third party under the patents or other intellectual property of the third party, or a license from TI under the patents or other intellectual property of TI.

Reproduction of TI information in TI data books or data sheets is permissible only if reproduction is without alteration and is accompanied by all associated warranties, conditions, limitations, and notices. Reproduction of this information with alteration is an unfair and deceptive business practice. TI is not responsible or liable for such altered documentation. Information of third parties may be subject to additional restrictions.

Resale of TI products or services with statements different from or beyond the parameters stated by TI for that product or service voids all express and any implied warranties for the associated TI product or service and is an unfair and deceptive business practice. TI is not responsible or liable for any such statements.

TI products are not authorized for use in safety-critical applications (such as life support) where a failure of the TI product would reasonably be expected to cause severe personal injury or death, unless officers of the parties have executed an agreement specifically governing such use. Buyers represent that they have all necessary expertise in the safety and regulatory ramifications of their applications, and acknowledge and agree that they are solely responsible for all legal, regulatory and safety-related requirements concerning their products and any use of TI products in such safety-critical applications, notwithstanding any applications-related information or support that may be provided by TI. Further, Buyers must fully indemnify TI and its representatives against any damages arising out of the use of TI products in such safety-critical applications.

TI products are neither designed nor intended for use in military/aerospace applications or environments unless the TI products are specifically designated by TI as military-grade or "enhanced plastic." Only products designated by TI as military-grade meet military specifications. Buyers acknowledge and agree that any such use of TI products which TI has not designated as military-grade is solely at the Buyer's risk, and that they are solely responsible for compliance with all legal and regulatory requirements in connection with such use.

TI products are neither designed nor intended for use in automotive applications or environments unless the specific TI products are designated by TI as compliant with ISO/TS 16949 requirements. Buyers acknowledge and agree that, if they use any non-designated products in automotive applications, TI will not be responsible for any failure to meet such requirements.

Following are URLs where you can obtain information on other Texas Instruments products and application solutions:

Products

Amplifiers	amplifier.ti.com
Data Converters	dataconverter.ti.com
DSP	dsp.ti.com
Clocks and Timers	www.ti.com/clocks
Interface	interface.ti.com
Logic	logic.ti.com
Power Mgmt	power.ti.com
Microcontrollers	microcontroller.ti.com
RFID	www.ti-rfid.com
RF/IF and ZigBee® Solutions	www.ti.com/lprf

Applications

Audio	www.ti.com/audio
Automotive	www.ti.com/automotive
Broadband	www.ti.com/broadband
Digital Control	www.ti.com/digitalcontrol
Medical	www.ti.com/medical
Military	www.ti.com/military
Optical Networking	www.ti.com/opticalnetwork
Security	www.ti.com/security
Telephony	www.ti.com/telephony
Video & Imaging	www.ti.com/video
Wireless	www.ti.com/wireless

Mailing Address: Texas Instruments, Post Office Box 655303, Dallas, Texas 75265
Copyright © 2008, Texas Instruments Incorporated