

LM3525

LM3525 Single Port USB Power Switch and Over-Current Protection



Literature Number: SNVS051C

LM3525

Single Port USB Power Switch and Over-Current Protection

General Description

The LM3525 provides Universal Serial Bus standard power switch and over-current protection for all host port applications. The single port device is ideal for Notebook PC and Handheld PC applications that supply power to one port.

A 1 ms delay on fault flag output prevents erroneous over-current reporting caused by inrush currents during the hot-plug events.

The LM3525 accepts an input voltage between 2.7V and 5.5V allowing use as a device-based inrush current limiter for 3.3V USB peripherals, as well as Root and Self-Powered Hubs at 5.5V. The Enable input accepts both 3.3V and 5.0V logic thresholds.

The small size, low R_{ON} , and 1 ms fault flag delay make the LM3525 a good choice for root hubs as well as ganged power control in space-critical self-powered hubs.

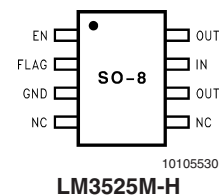
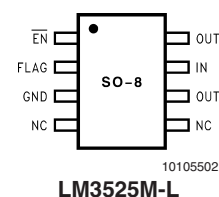
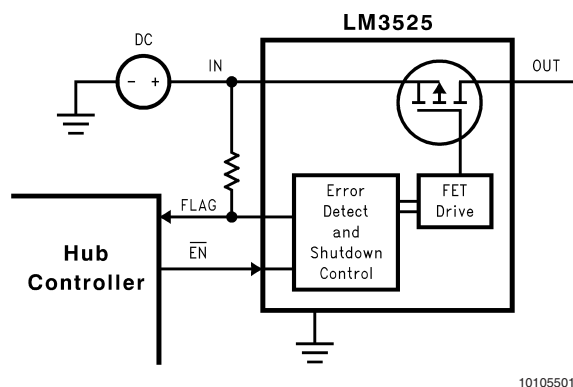
Features

- Compatible with USB1.1 and USB 2.0
- 1 ms Fault Flag Delay During Hot-Plug Events
- Smooth Turn-On Eliminates Inrush Induced Voltage Drop
- UL Recognized Component: REF # 205202
- 1A Nominal Short Circuit Output Current Protects Notebook PC Power Supplies
- Thermal Shutdown Protects Device in Direct Short Condition
- 500mA Minimum Continuous Load Current
- Small SO-8 Package Minimizes Board Space
- 2.7V to 5.5V Input Voltage Range
- Switch Resistance $\leq 120 \text{ m}\Omega$ Max. at $V_{IN} = 5\text{V}$
- $1\mu\text{A}$ Max Standby Current
- $100 \mu\text{A}$ Max Operating Current
- Undervoltage Lockout (UVLO)

Applications

- Universal Serial Bus (USB) Root Hubs including Desktop and Notebook PC
- USB Monitor Hubs
- Other Self-Powered USB Hub Devices
- High Power USB Devices Requiring Inrush Limiting
- General Purpose High Side Switch Applications

Typical Operating Circuit and Connection Diagram



Ordering Information

Part Number	Enable, Delivery Option	Package Type
LM3525M-H	Active High Enable, 95 units per rail	SO-8, NS Package Number M08A
LM3525M-L	Active Low Enable, 95 units per rail	
LM3525MX-H	Active High Enable, 2500 units per reel	
LM3525MX-L	Active Low Enable, 2500 units per reel	

Absolute Maximum Ratings (Note 1)

If Military/Aerospace specified devices are required, please contact the National Semiconductor Sales Office/Distributors for availability and specifications.

Supply Voltage	-0.3V to 6.0V
Output Voltage	-0.3V to 6.0V
Voltage at All Other Pins	-0.3V to 5.5V
Power Dissipation ($T_A = 25^\circ\text{C}$) (Note 2)	700 mW
T_{JMAX} (Note 2)	150°C

Operating Ratings

Supply Voltage Range	2.7 to 5.5V
Operating Ambient Range	-40°C to +85°C
Operating Junction Temperature Range	-40°C to +125°C
Storage Temperature Range	-65°C to +150°C
Lead Temperature (Soldering, 5 seconds)	260°C
ESD Rating (Note 3)	2 kV

DC Electrical Characteristics

Limits in standard typeface are for $T_J = 25^\circ\text{C}$, and limits in **boldface** type apply over the full operating temperature range. Unless otherwise specified: $V_{IN} = 5.0\text{V}$, $\overline{EN} = 0\text{V}$ (LM3525-L) or $EN = V_{IN}$ (LM3525-H).

Symbol	Parameter	Conditions	Min	Typ	Max	Units
R_{ON}	On-Resistance	IN to Out pins $V_{IN} = 5\text{V}$ $V_{IN} = 2.7\text{V}$		80 120	120 160	mΩ
I_{OUT}	OUT pins continuous output current		0.5			A
I_{SC}	Short Circuit Output Current	(Note 4)	0.5	1.0	1.5	A
I_{LEAK}	OUT pins Output Leakage Current	$\overline{EN} = V_{IN}$ (LM3525-L) or $EN = \text{GND}$ (LM3525-H),		0.15	10	μA
OC_{THRESH}	Over-current Threshold			2.25	3.2	A
R_{FO}	FLAG Output Resistance	$I_{FO} = 10\text{ mA}$, $V_{IN} = 5\text{V}$		6	25	Ω
		$I_{FO} = 10\text{ mA}$, $V_{IN} = 2.7\text{V}$		8	40	
I_{EN}	\overline{EN}/EN Leakage Current	$\overline{EN}/EN = 0\text{V}$ or $\overline{EN}/EN = V_{IN}$	-0.5		0.5	μA
V_{IH}	\overline{EN}/EN Input Voltage	(Note 5)	2.4	1.9		V
V_{IL}	\overline{EN}/EN Input Voltage	(Note 5)		1.7	0.8	V
V_{UVLO}	Under-Voltage Lockout	$V_{IN} = \text{Increasing}$		1.9		V
		$V_{IN} = \text{Decreasing}$		1.8		
I_{DDOFF}	Supply Current	Switch OFF		0.05	1	μA
I_{DDON}	Supply Current	Switch ON		65	100	μA
Th_{SD}	Overtemperature Shutdown Threshold (Note 4)	T_J Increasing		135		°C
		T_J Decreasing		125		°C
I_{FH}	Error Flag Leakage Current	$V_{FLAG} = 5\text{V}$		0.1	1	μA

AC Electrical Characteristics

Limits in standard typeface are for $T_J = 25^\circ\text{C}$, and limits in **boldface** type apply over the full operating temperature range. Unless otherwise specified: $V_{IN} = 5.0\text{V}$.

Symbol	Parameter	Conditions	Min	Typ	Max	Units
t_r	OUT Rise Time	$R_L = 10\Omega$		200		μs
t_f	OUT Fall Time	$R_L = 10\Omega$		20		μs
t_{ON}	Turn on Delay, $\overline{\text{EN}}$ to OUT	$R_L = 10\Omega$		200		μs
t_{OFF}	Turn off Delay, $\overline{\text{EN}}$ to OUT	$R_L = 10\Omega$		20		μs
t_{OC}	Over Current Flag Delay	$R_L = 0$		1		ms

Note 1: Absolute Maximum Ratings indicate limits beyond which damage to the device may occur. Electrical specifications do not apply when operating the device beyond its rated operating conditions. Products are not tested under negative Absolute Maximum conditions.

Note 2: The maximum power dissipation must be derated at elevated temperatures and is dictated by T_{JMAX} (maximum junction temperature), θ_{JA} (junction to ambient thermal resistance), and T_A (ambient temperature). The maximum allowable power dissipation at any temperature is $P_{DMAX} = (T_{JMAX} - T_A)/\theta_{JA}$ or the number given in the Absolute Maximum Ratings, which ever is lower. The thermal resistance θ_{JA} of the LM3525 in the SO-8 package is 150°C/W .

Note 3: The human body model is a 100 pF capacitor discharged through a 1.5 k Ω resistor into each pin.

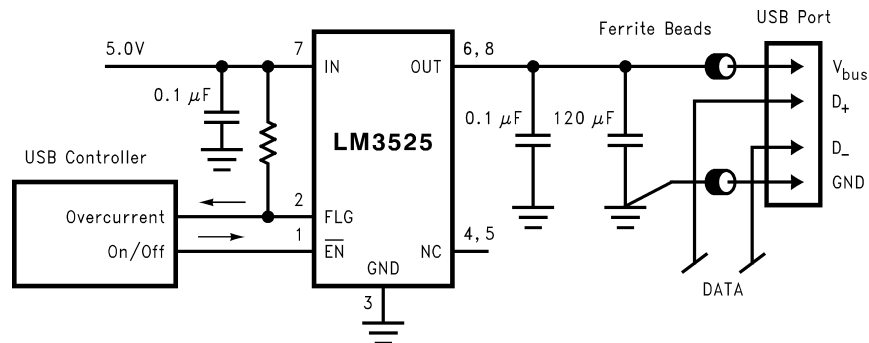
Note 4: Thermal shutdown will protect the device from permanent damage.

Note 5: For the LM3525-L, OFF is $\overline{\text{EN}} \geq 2.4\text{V}$ and ON is $\overline{\text{EN}} \leq 0.8\text{V}$. For the LM3525-H, OFF is $\text{EN} \leq 0.8\text{V}$ and ON is $\text{EN} \geq 2.4\text{V}$.

Pin Description

Pin Number	Pin Name	Pin Function
1	$\overline{\text{EN}}$ (LM3525-L) EN (LM3525-H)	Enable (Input): Logic-compatible enable input.
2	FLG	Fault Flag (Output): Active-low, open-drain output. Indicates overcurrent, UVLO and thermal shutdown.
3	GND	Ground
4, 5	NC	Not internally connected.
7	IN	Supply Input: This pin is the input to the power switch and the supply voltage for the IC.
6, 8	OUT	Switch Output: This pin is the output of the high side switch. Pins 6 & 8 must be tied together.

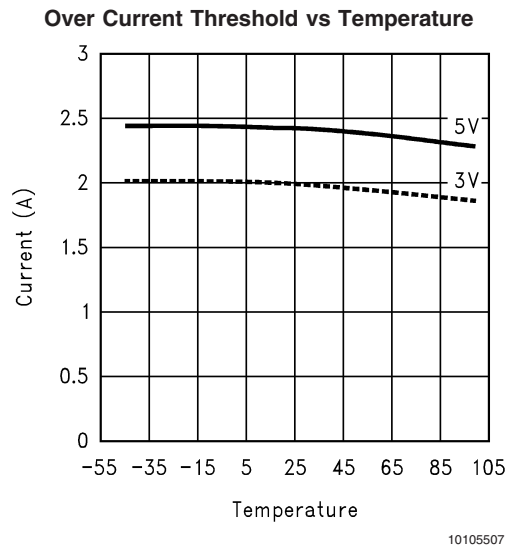
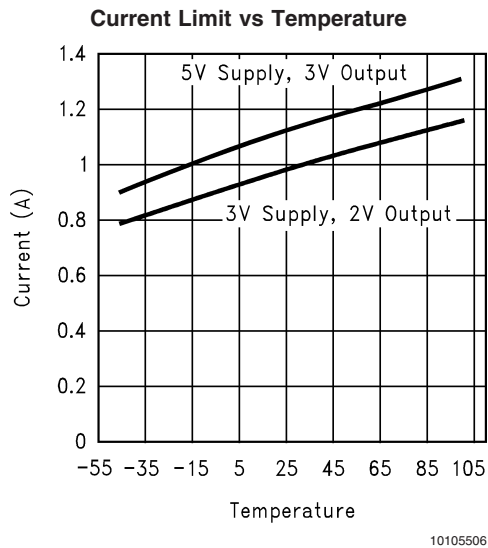
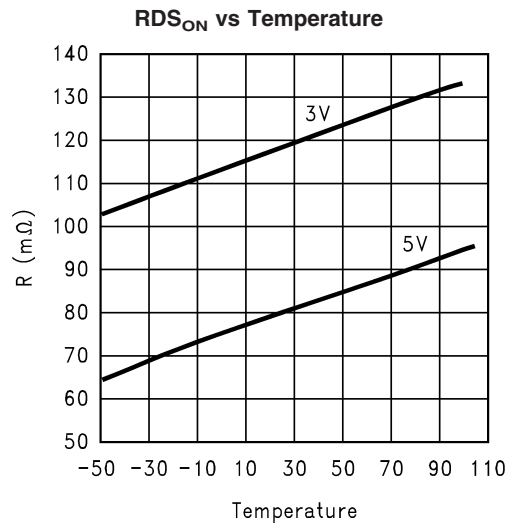
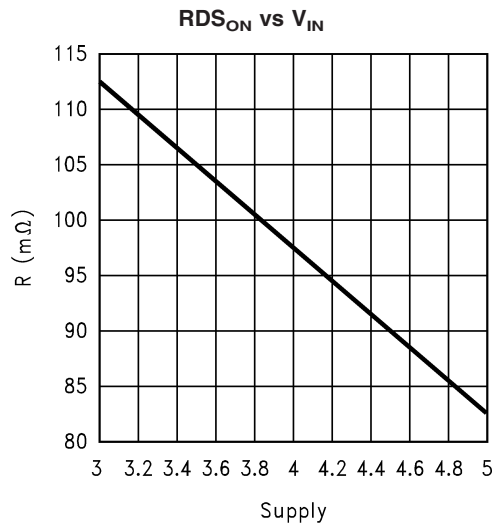
Typical Application Circuit



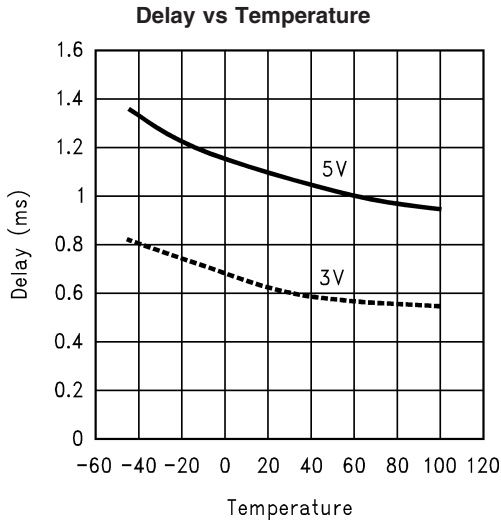
10105503

Typical Performance Characteristics

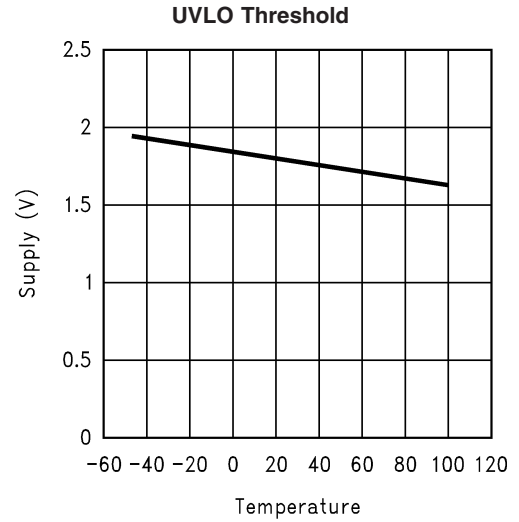
$V_{IN} = 5.0V$, $I_L = 500\text{ mA}$, $T_A = 25^\circ\text{C}$ unless otherwise specified.



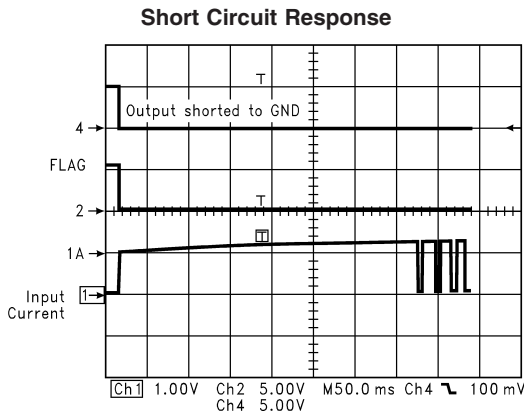
Typical Performance Characteristics $V_{IN} = 5.0V$, $I_L = 500\text{ mA}$, $T_A = 25^\circ\text{C}$ unless otherwise specified. (Continued)



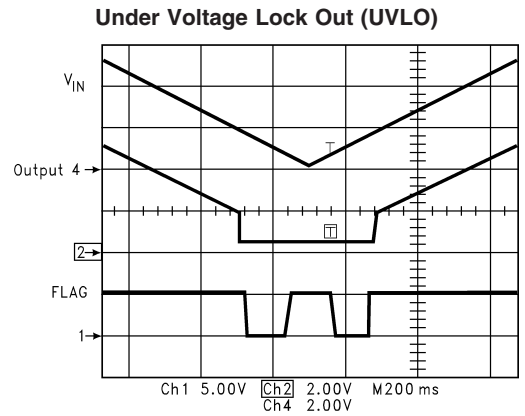
10105508



10105509

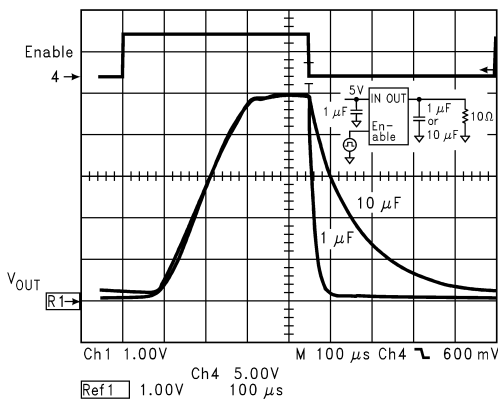


10105510

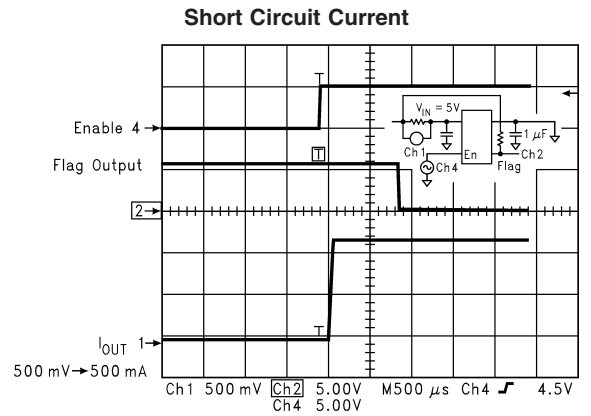


10105511

Turn-ON/OFF Delay and Rise Time/Fall Time



10105512



10105513

Functional Description

The LM3525-H and LM3525-L are high side P-Channel switches with active-high and active-low enable inputs, respectively. Fault conditions turn off and inhibit turn-on of the output transistor and activate the open-drain error flag transistor sinking current to the ground.

INPUT AND OUTPUT

IN (Input) is the power supply connection to the control circuitry and the source of the output MOSFET.

OUT (Output) is the drain of the output MOSFET. In a typical application circuit, current flows through the switch from IN to OUT towards the load.

If V_{OUT} is greater than V_{IN} when the switch is enabled, current will flow from OUT to IN since the MOSFET is bidirectional.

THERMAL SHUTDOWN

LM3525 is internally protected against excessive power dissipation. In the event of a shorted output or heavy loads that could elevate the die temperature to above approximately 135°C, the thermal shutdown circuit of the LM3525 will be activated and the power switch turned off.

The switch is turned on after die temperature drops by 10°C. This built-in temperature hysteresis prevents undesirable oscillation of the thermal protection circuit and allows the device to reset itself after it is cooled down.

UNDERVOLTAGE LOCKOUT

UVLO prevents the MOSFET switch from turning on until input voltage exceeds 1.9V.

UVLO shuts off the MOSFET switch and signals the fault flag if input voltage drops below 1.8V. UVLO functions only when device is enabled.

CURRENT LIMIT

The current limit circuit is designed to protect the system supply, the MOSFET switches and the load from damage caused by excessive currents. The current limit threshold is set internally to allow a minimum of 500 mA through the MOSFET but limit the maximum current to 1.0A typical.

FAULT FLAG

The fault flag is an open-drain output capable of sinking 10 mA load current to typically 60 mV above ground.

The fault flag is active (pulled low) when any of the following conditions are present: undervoltage, current limit, or thermal shutdown.

A 1ms delay in reporting fault condition prevents erroneous fault flags and eliminates the need for external RC delay network.

Application Information

FILTERING

The USB specification indicates that “no less than 120 μ F tantalum capacitors” must be used on the output of each downstream port. This bulk capacitance provides the short-term transient current needed during a hot plug-in. Current surges caused by the input capacitance of the down stream device could generate undesirable EMI signals. Ferrite beads in series with all power and ground lines are recommended to eliminate or significantly reduce EMI.

In selecting a ferrite bead, the DC resistance of the wire used must be kept to minimum to reduce the voltage drop.

A 0.01 μ F ceramic capacitor is recommended on each port directly between the V_{BUS} and ground pins to prevent EMI damage to other components during the hot - detachment.

Adequate capacitance must be connected to the input of the device to limit the input voltage drop during a hot-plug event to less than 330 mV. For a few tens of μ s, the host must supply the inrush current to the peripheral, charging its bulk capacitance to V_{BUS} . This current is initially supplied by the input capacitor. A 33 μ F 16V tantalum capacitor is recommended.

In choosing the capacitors, special attention must be paid to the Effective Series Resistance, ESR, of the capacitors to minimize the IR drop across the capacitor’s ESR.

SOFT START

To eliminate the upstream voltage droop caused by the high in-rush current drawn by the output capacitors, the inrush current is internally limited to 1.0A.

TRANSIENT OVER-CURRENT DELAY

In USB applications, it is required that output bulk capacitance is utilized to support hot-plug events. During hot-plug events, inrush currents may also cause the flag to go active. Since these conditions are not valid over-current faults, the USB controller must ignore the flag during these events.

High transient current is also generated when switch is enabled and large values of capacitance at the output have to be rapidly charged. The inrush currents created could exceed the short circuit current limit threshold of the device forcing it into the current limit mode. The capacitor is charged with the maximum available short circuit current set by the LM3525. The duration of the inrush current depends on the size of the output capacitance and load current. Since this is not a valid fault condition, the LM3525 delays the generation of the fault flag for 1 ms. If condition persists due to other causes such as a short, a fault flag is generated after a 1 ms delay has elapsed.

The LM3525’s 1 ms delay in issuing the fault flag is adequate for most applications. If longer delays are required, an RC filter as shown in *Figure 1* may be used.

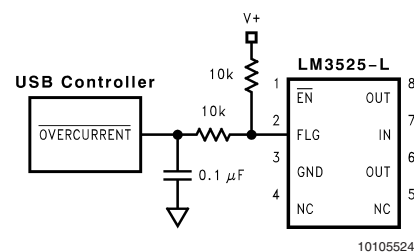


FIGURE 1. Transient Fitter

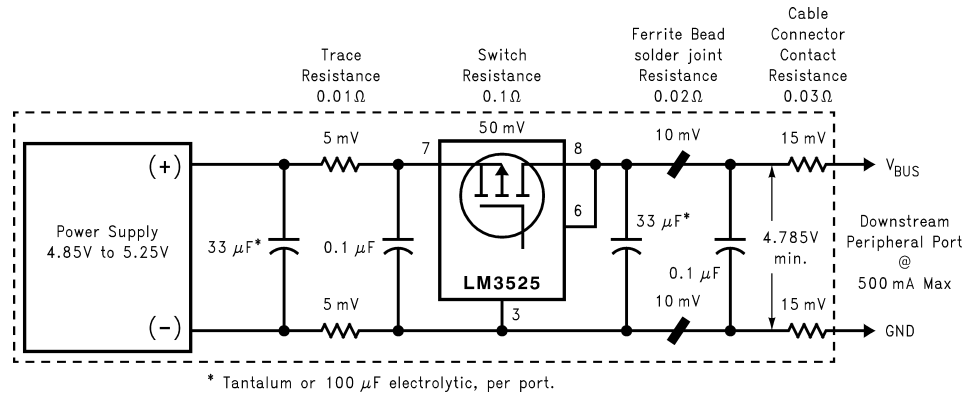
PCB LAYOUT CONSIDERATIONS

In order to meet the USB requirements for voltage drop, droop and EMI, each component used in this circuit must be evaluated for its contribution to the circuit performance as shown in *Figure 2*. The PCB layout rules and guidelines must be followed.

Application Information (Continued)

- Place the switch as close to the USB connector as possible. Keep all V_{BUS} traces as short as possible and use at least 50-mil, 1 ounce copper for all V_{BUS} traces. Solder plating the traces will reduce the trace resistance.
- Avoid vias as much as possible. If vias are used, use multiple vias in parallel and/or make them as large as possible.

- Place the output capacitor and ferrite beads as close to the USB connector as possible.
- If ferrite beads are used, use wires with minimum resistance and large solder pads to minimize connection resistance.



10105523

FIGURE 2. Self-Powered Hub Per-Port Voltage Drop

Typical Applications

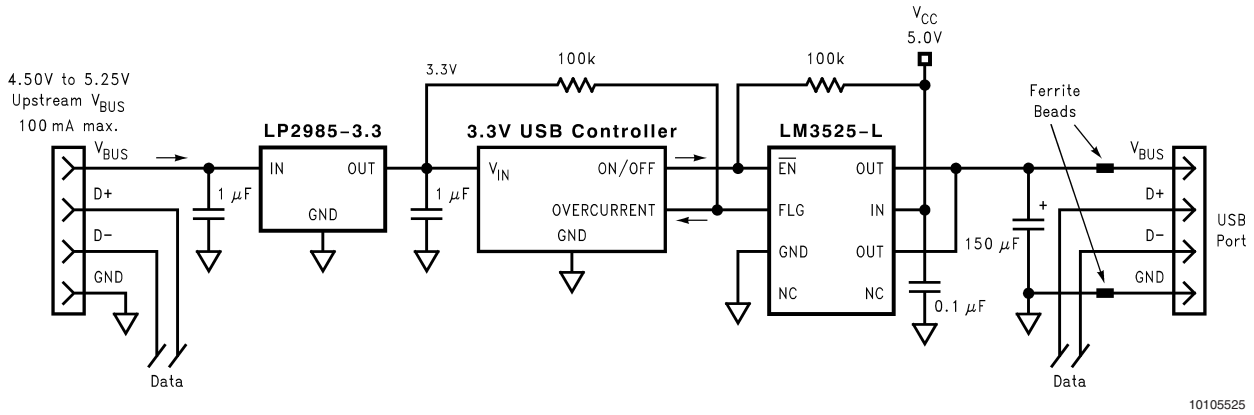


FIGURE 3. Single-Port USB Self-Powered Hub

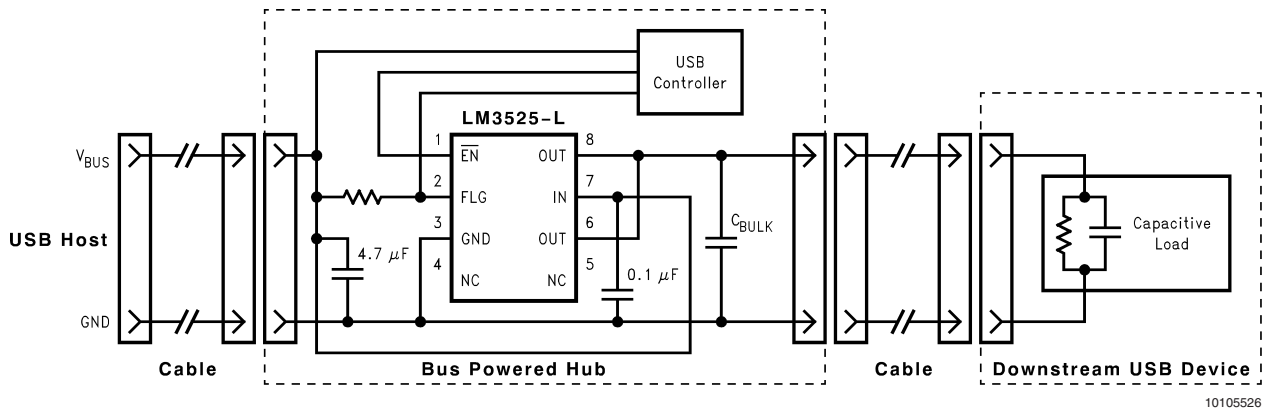


FIGURE 4. Soft-Start Application

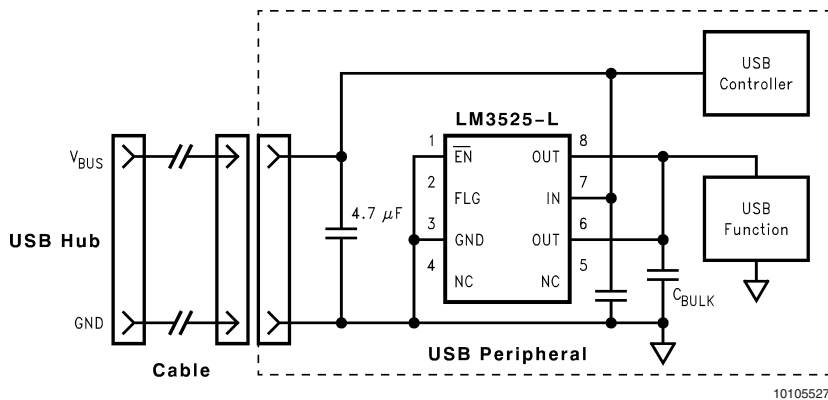
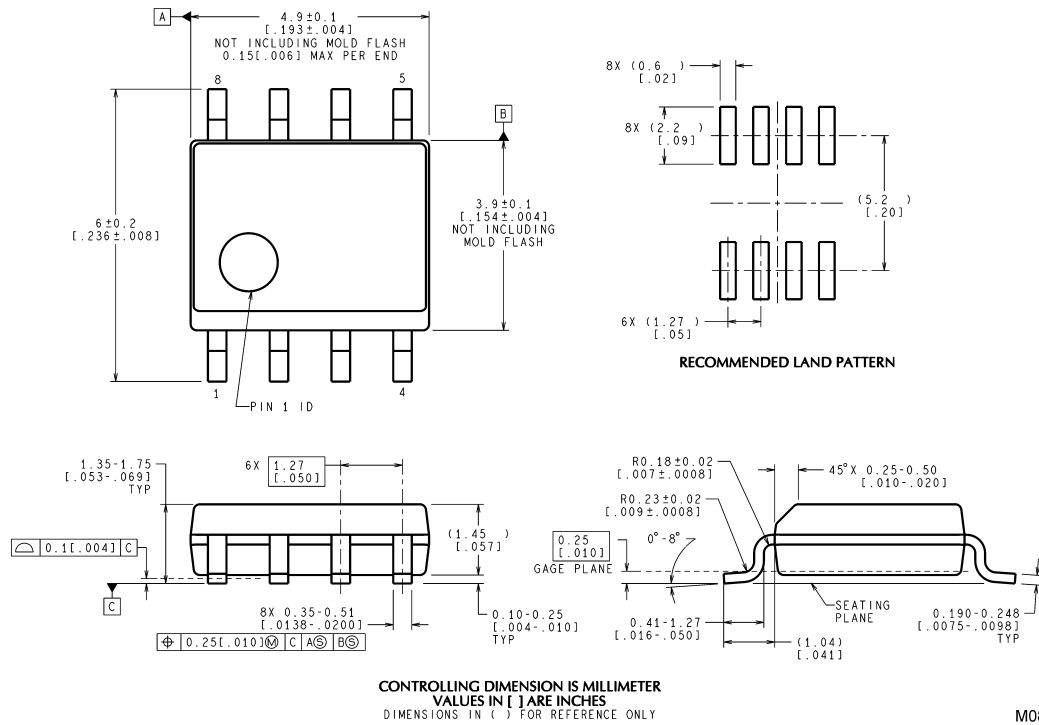


FIGURE 5. Inrush Current-limit Application

Physical Dimensions inches (millimeters) unless otherwise noted



For Order Numbers , see Ordering Information Table
NS Package Number M08A

M08A (Rev K)

National does not assume any responsibility for use of any circuitry described, no circuit patent licenses are implied and National reserves the right at any time without notice to change said circuitry and specifications.

For the most current product information visit us at www.national.com.

LIFE SUPPORT POLICY

NATIONAL'S PRODUCTS ARE NOT AUTHORIZED FOR USE AS CRITICAL COMPONENTS IN LIFE SUPPORT DEVICES OR SYSTEMS WITHOUT THE EXPRESS WRITTEN APPROVAL OF THE PRESIDENT AND GENERAL COUNSEL OF NATIONAL SEMICONDUCTOR CORPORATION. As used herein:

1. Life support devices or systems are devices or systems which, (a) are intended for surgical implant into the body, or (b) support or sustain life, and whose failure to perform when properly used in accordance with instructions for use provided in the labeling, can be reasonably expected to result in a significant injury to the user.
2. A critical component is any component of a life support device or system whose failure to perform can be reasonably expected to cause the failure of the life support device or system, or to affect its safety or effectiveness.

BANNED SUBSTANCE COMPLIANCE

National Semiconductor manufactures products and uses packing materials that meet the provisions of the Customer Products Stewardship Specification (CSP-9-111C2) and the Banned Substances and Materials of Interest Specification (CSP-9-111S2) and contain no "Banned Substances" as defined in CSP-9-111S2.



National Semiconductor
Americas Customer
Support Center
Email: new.feedback@nsc.com
Tel: 1-800-272-9959

National Semiconductor
Europe Customer Support Center
Fax: +49 (0) 180-530 85 86
Email: europe.support@nsc.com
Deutsch Tel: +49 (0) 69 9508 6208
English Tel: +44 (0) 870 24 0 2171
Français Tel: +33 (0) 1 41 91 8790

National Semiconductor
Asia Pacific Customer
Support Center
Email: ap.support@nsc.com

National Semiconductor
Japan Customer Support Center
Fax: 81-3-5639-7507
Email: jpn.feedback@nsc.com
Tel: 81-3-5639-7560

IMPORTANT NOTICE

Texas Instruments Incorporated and its subsidiaries (TI) reserve the right to make corrections, modifications, enhancements, improvements, and other changes to its products and services at any time and to discontinue any product or service without notice. Customers should obtain the latest relevant information before placing orders and should verify that such information is current and complete. All products are sold subject to TI's terms and conditions of sale supplied at the time of order acknowledgment.

TI warrants performance of its hardware products to the specifications applicable at the time of sale in accordance with TI's standard warranty. Testing and other quality control techniques are used to the extent TI deems necessary to support this warranty. Except where mandated by government requirements, testing of all parameters of each product is not necessarily performed.

TI assumes no liability for applications assistance or customer product design. Customers are responsible for their products and applications using TI components. To minimize the risks associated with customer products and applications, customers should provide adequate design and operating safeguards.

TI does not warrant or represent that any license, either express or implied, is granted under any TI patent right, copyright, mask work right, or other TI intellectual property right relating to any combination, machine, or process in which TI products or services are used. Information published by TI regarding third-party products or services does not constitute a license from TI to use such products or services or a warranty or endorsement thereof. Use of such information may require a license from a third party under the patents or other intellectual property of the third party, or a license from TI under the patents or other intellectual property of TI.

Reproduction of TI information in TI data books or data sheets is permissible only if reproduction is without alteration and is accompanied by all associated warranties, conditions, limitations, and notices. Reproduction of this information with alteration is an unfair and deceptive business practice. TI is not responsible or liable for such altered documentation. Information of third parties may be subject to additional restrictions.

Resale of TI products or services with statements different from or beyond the parameters stated by TI for that product or service voids all express and any implied warranties for the associated TI product or service and is an unfair and deceptive business practice. TI is not responsible or liable for any such statements.

TI products are not authorized for use in safety-critical applications (such as life support) where a failure of the TI product would reasonably be expected to cause severe personal injury or death, unless officers of the parties have executed an agreement specifically governing such use. Buyers represent that they have all necessary expertise in the safety and regulatory ramifications of their applications, and acknowledge and agree that they are solely responsible for all legal, regulatory and safety-related requirements concerning their products and any use of TI products in such safety-critical applications, notwithstanding any applications-related information or support that may be provided by TI. Further, Buyers must fully indemnify TI and its representatives against any damages arising out of the use of TI products in such safety-critical applications.

TI products are neither designed nor intended for use in military/aerospace applications or environments unless the TI products are specifically designated by TI as military-grade or "enhanced plastic." Only products designated by TI as military-grade meet military specifications. Buyers acknowledge and agree that any such use of TI products which TI has not designated as military-grade is solely at the Buyer's risk, and that they are solely responsible for compliance with all legal and regulatory requirements in connection with such use.

TI products are neither designed nor intended for use in automotive applications or environments unless the specific TI products are designated by TI as compliant with ISO/TS 16949 requirements. Buyers acknowledge and agree that, if they use any non-designated products in automotive applications, TI will not be responsible for any failure to meet such requirements.

Following are URLs where you can obtain information on other Texas Instruments products and application solutions:

Products

Audio	www.ti.com/audio
Amplifiers	amplifier.ti.com
Data Converters	dataconverter.ti.com
DLP® Products	www.dlp.com
DSP	dsp.ti.com
Clocks and Timers	www.ti.com/clocks
Interface	interface.ti.com
Logic	logic.ti.com
Power Mgmt	power.ti.com
Microcontrollers	microcontroller.ti.com
RFID	www.ti-rfid.com
OMAP Mobile Processors	www.ti.com/omap
Wireless Connectivity	www.ti.com/wirelessconnectivity

Applications

Communications and Telecom	www.ti.com/communications
Computers and Peripherals	www.ti.com/computers
Consumer Electronics	www.ti.com/consumer-apps
Energy and Lighting	www.ti.com/energy
Industrial	www.ti.com/industrial
Medical	www.ti.com/medical
Security	www.ti.com/security
Space, Avionics and Defense	www.ti.com/space-avionics-defense
Transportation and Automotive	www.ti.com/automotive
Video and Imaging	www.ti.com/video

TI E2E Community Home Page

e2e.ti.com

Mailing Address: Texas Instruments, Post Office Box 655303, Dallas, Texas 75265
Copyright © 2011, Texas Instruments Incorporated