

LM2990

LM2990 Negative Low Dropout Regulator



Literature Number: SNVS093C

LM2990

Negative Low Dropout Regulator

General Description

The LM2990 is a three-terminal, low dropout, 1 ampere negative voltage regulator available with fixed output voltages of -5, -5.2, -12, and -15V.

The LM2990 uses new circuit design techniques to provide low dropout and low quiescent current. The dropout voltage at 1A load current is typically 0.6V and a guaranteed worst-case maximum of 1V over the entire operating temperature range. The quiescent current is typically 1 mA with 1A load current and an input-output voltage differential greater than 3V. A unique circuit design of the internal bias supply limits the quiescent current to only 9 mA (typical) when the regulator is in the dropout mode ($V_{OUT} - V_{IN} \leq 3V$). Output voltage accuracy is guaranteed to $\pm 5\%$ over load, and temperature extremes.

The LM2990 is short-circuit proof, and thermal shutdown includes hysteresis to enhance the reliability of the device when overloaded for an extended period of time. The LM2990 is available in a 3-lead TO-220 package and is rated for opera-

tion over the automotive temperature range of -40°C to $+125^{\circ}\text{C}$.

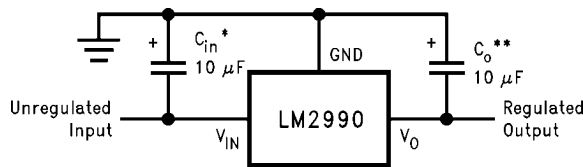
Features

- 5% output accuracy over entire operating range
- Output current in excess of 1A
- Dropout voltage typically 0.6V at 1A load
- Low quiescent current
- Internal short circuit current limit
- Internal thermal shutdown with hysteresis
- Functional complement to the LM2940 series

Applications

- Post switcher regulator
- Local, on-card, regulation
- Battery operated equipment

Typical Application



1080101

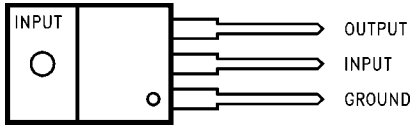
*Required if the regulator is located further than 6 inches from the power supply filter capacitors. A 1 μF solid tantalum or a 10 μF aluminum electrolytic capacitor is recommended.

**Required for stability. Must be at least a 10 μF aluminum electrolytic or a 1 μF solid tantalum to maintain stability. May be increased without bound to maintain regulation during transients. Locate the capacitor as close as possible to the regulator. The equivalent series resistance (ESR) is critical, and should be less than 10 Ω over the same operating temperature range as the regulator.

Ordering Information and Connection Diagrams

| Temperature Range | Output Voltage | | | | Package |
|-------------------|------------------------------------|-------------|-----------------------------------|-----------------------------------|---------|
| | -5.0 | -5.2 | -12 | -15 | |
| -40°C to +125°C | LM2990T-5.0 | LM2990T-5.2 | LM2990T-12 | LM2990T-15 | TO-220 |
| | LM2990S-5.0 | | LM2990S-12 | LM2990S-15 | TO-263 |
| -55°C to +125°C | LM2990J-5.0-QML 5962-9571101QEA | | LM2990J-12-QML 5962-9571001QEA | LM2990J-15-QML 5962-9570901QEA | J16A |
| | LM2990WG5.0-QML 5962-9571101QXA | | | | WG16A |

3-Lead TO-220

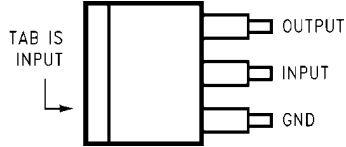


1080102

Front View

**Order Number LM2990T-5.0, LM2990T-5.2, LM2990T-12 or LM2990T-15
See NS Package Number T03B**

TO-263 Surface-Mount Package



1080111

Top View

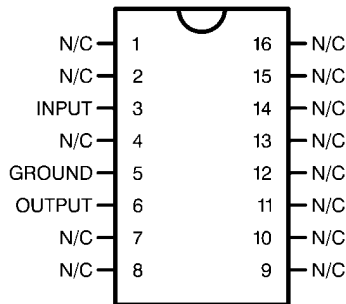


1080112

Side View

**Order Number LM2990S-5.0, LM2990S-12 or LM2990S-15
See NS Package Number TS3B**

16-Lead Ceramic Dual-in-Line Package

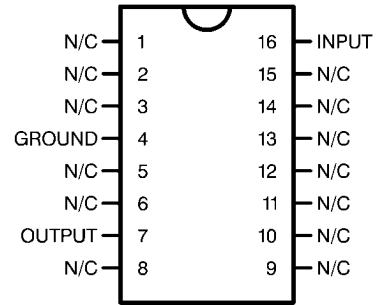


1080133

**Top View
Order Number**

**LM2990J-5.0-QML (5962-9571101QEA),
LM2990J-12-QML (5962-9571001QEA), or
LM2990J-15-QML (5962-9570901QEA),
See NS Package Number J16A**

16-Lead Ceramic Surface Mount Package



1080134

**Top View
Order Number
LM2990WG5.0-QML (5962-9571101QXEA)
See NS Package Number WG16A**

Absolute Maximum Ratings (Note 1)

If Military/Aerospace specified devices are required, please contact the National Semiconductor Sales Office/Distributors for availability and specifications.

| | |
|-------------------------------------|--------------------|
| Input Voltage | -26V to +0.3V |
| ESD Susceptibility (Note 2) | 2 kV |
| Power Dissipation (Note 3) | Internally Limited |
| Junction Temperature (T_{Jmax}) | 125°C |

| | |
|-----------------------|-----------------|
| Storage Temperature | -65°C to +150°C |
| Soldering Temperature | |
| TO-220 (T), Wave | 260°C, 10 sec |
| TO-263 (S) | 235°C, 30 sec |

Operating Ratings (Note 1)

| | |
|--------------------------------------|-----------------|
| Junction Temperature Range (T_J) | -40°C to +125°C |
| Maximum Input Voltage (Operational) | -26V |

Electrical Characteristics

$V_{IN} = -5V + V_{O(NOM)}$ (Note 6), $I_O = 1A$, $C_O = 47 \mu F$, unless otherwise specified. **Boldface** limits apply over the entire operating temperature range, $-40^\circ C \leq T_J \leq 125^\circ C$, all other limits apply for $T_J = 25^\circ C$.

| Parameter | Conditions | LM2990-5.0 | | LM2990-5.2 | | Units (Limit) |
|-----------------------------|---|--------------|------------------------------|--------------|------------------------------|--------------------------|
| | | Typ (Note 4) | Limit (Note 5) | Typ (Note 4) | Limit (Note 5) | |
| Output Voltage (V_O) | $5 \text{ mA} \leq I_O \leq 1A$ | | -4.90 -5.10 | | -5.10 -5.30 | V (max) mV (min) V |
| | $5 \text{ mA} \leq I_O \leq 1A$ | -5 | -4.75 -5.25 | -5.2 | -4.94 -5.46 | V (max) V (min) |
| Line Regulation | $I_O = 5 \text{ mA}$, $V_{O(NOM)} - 1V > V_{IN} > -26V$ | 4 | 40 | 4 | 40 | mV (max) |
| Load Regulation | $50 \text{ mA} \leq I_O \leq 1A$ | 1 | 40 | 1 | 40 | mV (max) |
| Dropout Voltage | $I_O = 0.1A$, $\Delta V_O \leq 100 \text{ mV}$ | 0.1 | 0.3 | 0.1 | 0.3 | V (max) |
| | $I_O = 1A$, $\Delta V_O \leq 100 \text{ mV}$ | 0.6 | 1 | 0.6 | 1 | V (max) |
| Quiescent Current (I_q) | $I_O \leq 1A$ | 1 | 5 | 1 | 5 | mA (max) |
| | $I_O = 1A$, $V_{IN} = V_{O(NOM)}$ | 9 | 50 | 9 | 50 | mA (max) |
| Short Circuit Current | $R_L = 1\Omega$ (Note 7) | 1.8 | 1.5 | 1.8 | 1.5 | A (min) |
| Maximum Output Current | (Note 7) | 1.8 | 1.5 | 1.8 | 1.5 | A (min) |
| Ripple Rejection | $V_{ripple} = 1 V_{rms}$, $f_{ripple} = 1 \text{ kHz}$, $I_O = 5 \text{ mA}$ | 58 | 50 | 58 | 50 | dB (min) |
| Output Noise Voltage | 10 Hz–100 kHz, $I_O = 5 \text{ mA}$ | 250 | 750 | 250 | 750 | μV (max) |
| Long Term Stability | 1000 Hours | 2000 | | 2000 | | ppm |

Electrical Characteristics

$V_{IN} = -5V + V_{O(NOM)}$ (Note 6), $I_O = 1A$, $C_O = 47 \mu F$, unless otherwise specified. **Boldface** limits apply over the entire operating temperature range, $-40^\circ C \leq T_J \leq 125^\circ C$, all other limits apply for $T_J = 25^\circ C$.

| Parameter | Conditions | LM2990-12 | | LM2990-15 | | Units (Limit) |
|--------------------------|---|--------------|--------------------------------|--------------|--------------------------------|-------------------------|
| | | Typ (Note 4) | Limit (Note 5) | Typ (Note 4) | Limit (Note 5) | |
| Output Voltage (V_O) | $5 \text{ mA} \leq I_O \leq 1A$ | | -11.76 -12.24 | | -14.70 -15.30 | V (max) V (min) V |
| | $5 \text{ mA} \leq I_O \leq 1A$ | -12 | -11.40 -12.60 | -15 | -14.25 -15.75 | V (max) V (min) |
| Line Regulation | $I_O = 5 \text{ mA}$, $V_{O(NOM)} - 1V > V_{IN} > -26V$ | 6 | 60 | 6 | 60 | mV (max) |
| Load Regulation | $50 \text{ mA} \leq I_O \leq 1A$ | 3 | 50 | 3 | 50 | mV (max) |
| Dropout Voltage | $I_O = 0.1A$, $\Delta V_O \leq 100 \text{ mV}$ | 0.1 | 0.3 | 0.1 | 0.3 | V (max) |
| | $I_O = 1A$, $\Delta V_O \leq 100 \text{ mV}$ | 0.6 | 1 | 0.6 | 1 | V (max) |

| Parameter | Conditions | LM2990-12 | | LM2990-15 | | Units (Limit) |
|-----------------------------|--|-----------------|-------------------|-----------------|-------------------|---------------|
| | | Typ (Note 4) | Limit (Note 5) | Typ (Note 4) | Limit (Note 5) | |
| Quiescent Current (I_Q) | $I_O \leq 1A$ | 1 | 5 | 1 | 5 | mA (max) |
| | $I_O = 1A, V_{IN} = V_{O(NOM)}$ | 9 | 50 | 9 | 50 | mA (max) |
| Short Circuit Current | $R_L = 1\Omega$ (Note 7) | 1.2 | 0.9 | 1.0 | 0.75 | A (min) |
| Maximum Output Current | (Note 7) | 1.8 | 1.4 | 1.8 | 1.4 | A (min) |
| Ripple Rejection | $V_{ripple} = 1 V_{rms}$, $f_{ripple} = 1 kHz, I_O = 5 mA$ | 52 | 42 | 52 | 42 | dB (min) |
| Output Noise Voltage | 10 Hz–100 kHz, $I_O = 5 mA$ | 500 | 1500 | 600 | 1800 | μV (max) |
| Long Term Stability | 1000 Hours | 2000 | | 2000 | | ppm |

Note 1: Absolute Maximum Ratings indicate limits beyond which damage to the device may occur. Operating Ratings indicate conditions for which the device is intended to be functional, but do not guarantee specific performance limits. For guaranteed specifications and test conditions, see the Electrical Characteristics.

Note 2: Human body model, 100 pF discharged through a 1.5 k Ω resistor.

Note 3: The maximum power dissipation is a function of T_{Jmax} , θ_{JA} , and T_A . The maximum allowable power dissipation at any ambient temperature is $P_D = (T_{Jmax} - T_A)/\theta_{JA}$. If this dissipation is exceeded, the die temperature will rise above 125°C, and the LM2990 will eventually go into thermal shutdown at a T_J of approximately 160°C. For the LM2990, the junction-to-ambient thermal resistance, is 53°C/W, 73°C/W for the TO-263, and the junction-to-case thermal resistance is 3°C. If the TO-263 package is used, the thermal resistance can be reduced by increasing the P.C. board copper area thermally connected to the package. Using 0.5 square inches of copper area, θ_{JA} is 50°C/W; with 1 square inch of copper area, θ_{JA} is 37°C/W; and with 1.6 or more square inches of copper area, θ_{JA} is 32°C/W.

Note 4: Typical values are at $T_J = 25^\circ C$ and represent the most likely parametric norm.

Note 5: Limits are guaranteed and 100% production tested.

Note 6: $V_{O(NOM)}$ is the nominal (typical) regulator output voltage, -5V, -5.2V, -12V or -15V.

Note 7: The short circuit current is less than the maximum output current with the -12V and -15V versions due to internal foldback current limiting. The -5V and -5.2V versions, tested with a lower input voltage, does not reach the foldback current limit and therefore conducts a higher short circuit current level. If the LM2990 output is pulled above ground, the maximum allowed current sunk back into the LM2990 is 1.5A.

Definition of Terms

Dropout Voltage: The input-output voltage differential at which the circuit ceases to regulate against further reduction in input voltage. Measured when the output voltage has dropped 100 mV from the nominal value obtained at ($V_O + 5V$) input, dropout voltage is dependent upon load current and junction temperature.

Input Voltage: The DC voltage applied to the input terminals with respect to ground.

Input-Output Differential: The voltage difference between the unregulated input voltage and the regulated output voltage for which the regulator will operate.

Line Regulation: The change in output voltage for a change in the input voltage. The measurement is made under conditions of low dissipation or by using pulse techniques such that the average chip temperature is not significantly affected.

Load Regulation: The change in output voltage for a change in load current at constant chip temperature.

Long Term Stability: Output voltage stability under accelerated life-test conditions after 1000 hours with maximum rated voltage and junction temperature.

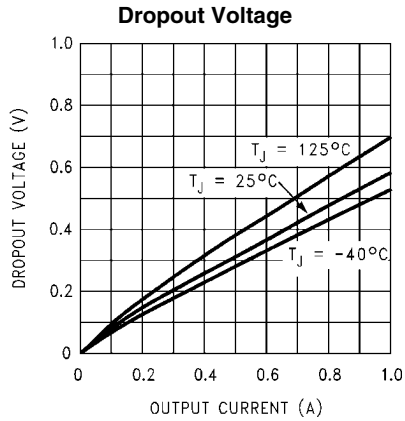
Output Noise Voltage: The rms AC voltage at the output, with constant load and no input ripple, measured over a specified frequency range.

Quiescent Current: That part of the positive input current that does not contribute to the positive load current. The regulator ground lead current.

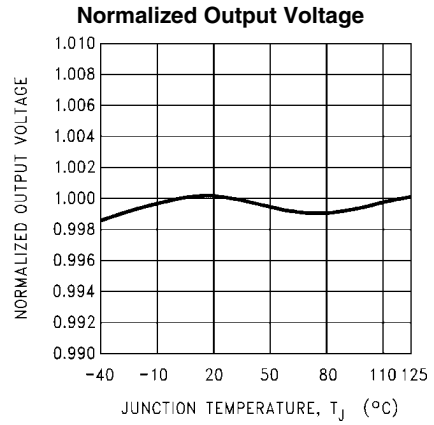
Ripple Rejection: The ratio of the peak-to-peak input ripple voltage to the peak-to-peak output ripple voltage.

Temperature Stability of V_O : The percentage change in output voltage for a thermal variation from room temperature to either temperature extreme.

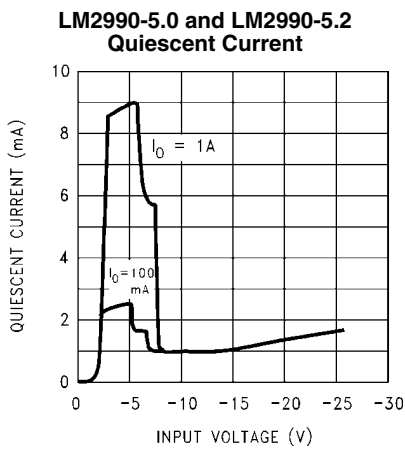
Typical Performance Characteristics



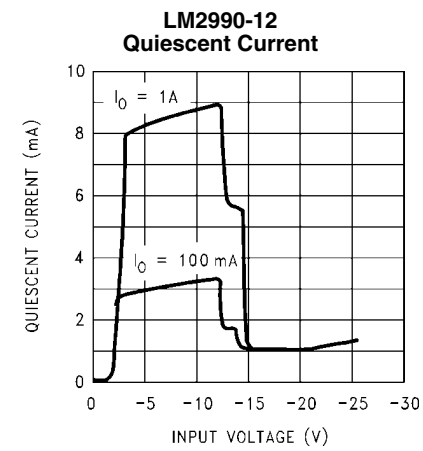
1080114



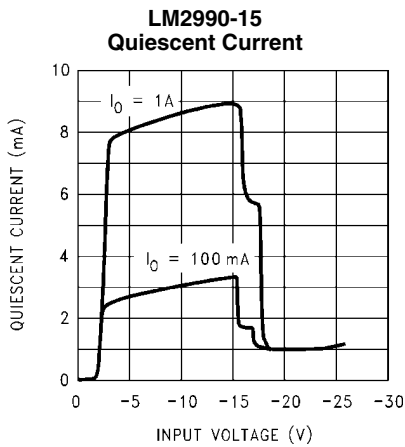
1080115



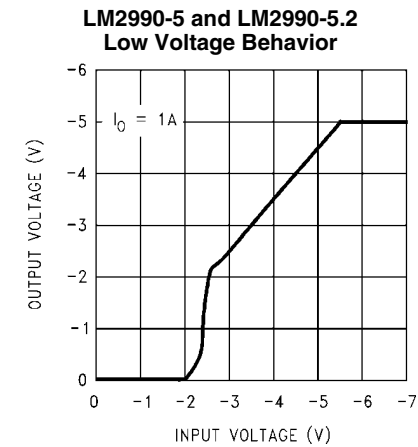
1080116



1080117

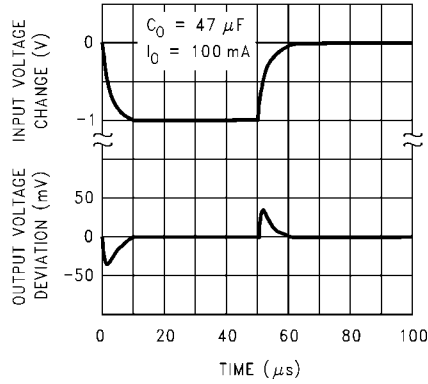


1080118



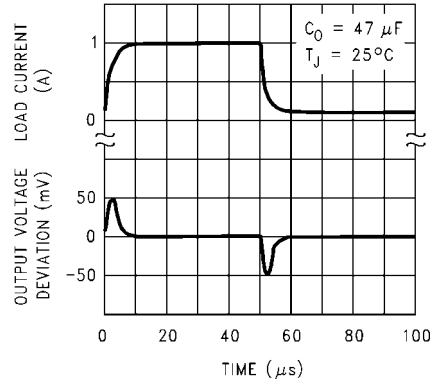
1080119

**LM2990-5 and LM2990-5.2
Line Transient Response**



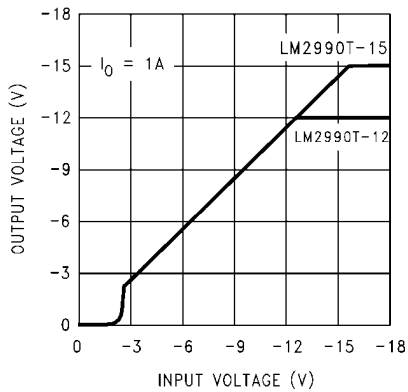
1080120

**LM2990-5 and LM2990-5.2
Load Transient Response**



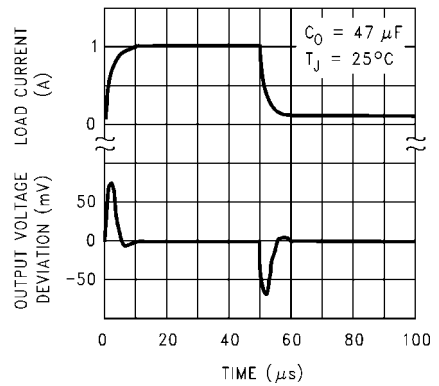
1080121

**LM2990-12 and LM2990-15
Low Voltage Behavior**



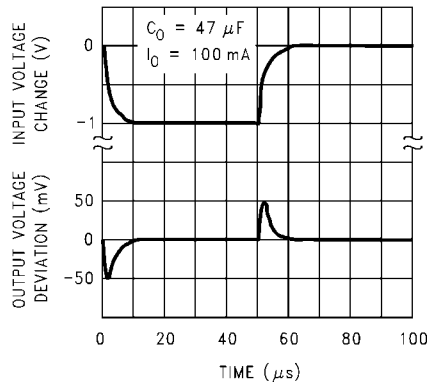
1080122

**LM2990-12 and LM2990-15
Line Transient Response**



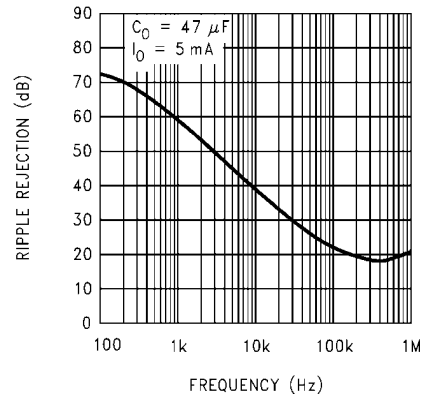
1080123

**LM2990-12 and LM2990-15
Load Transient Response**



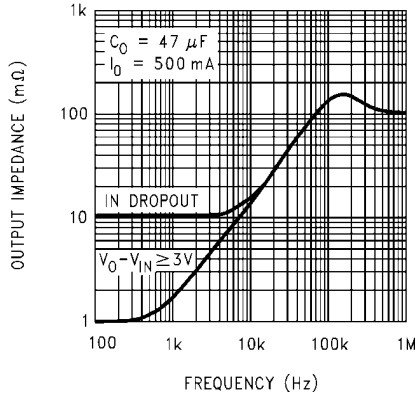
1080124

**LM2990-5 and LM2990-5.2
Ripple Rejection**

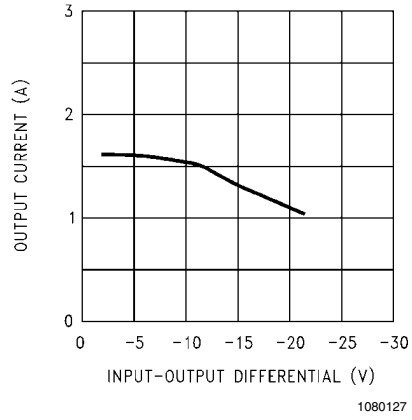


1080125

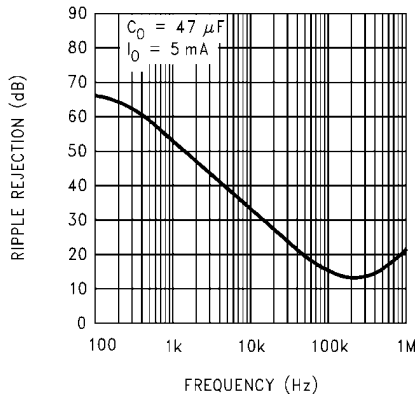
**LM2990-5 and LM2990-5.2
Output Impedance**



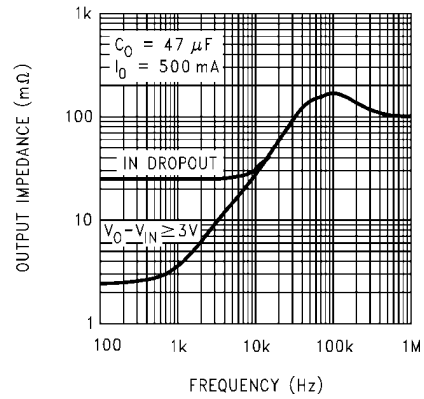
Maximum Output Current



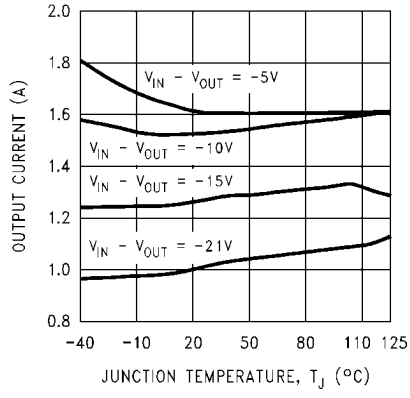
**LM2990-12 and LM2990-15
Ripple Rejection**



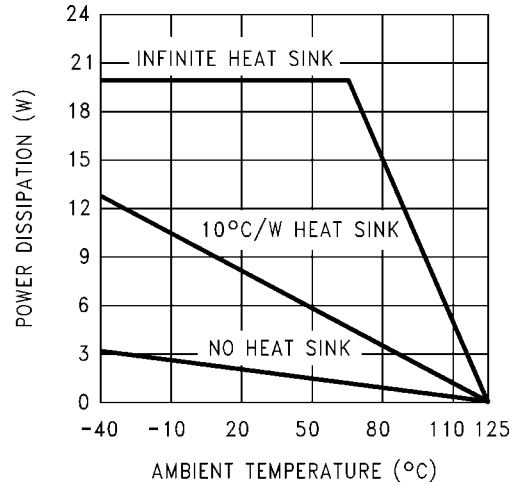
**LM2990-12 and LM2990-15
Output Impedance**



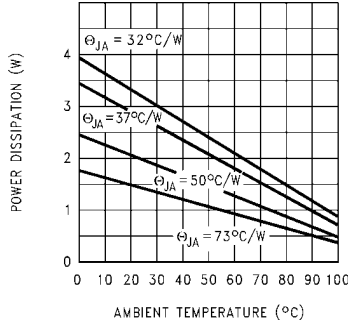
Maximum Output Current



**Maximum Power
Dissipation (TO-220)**



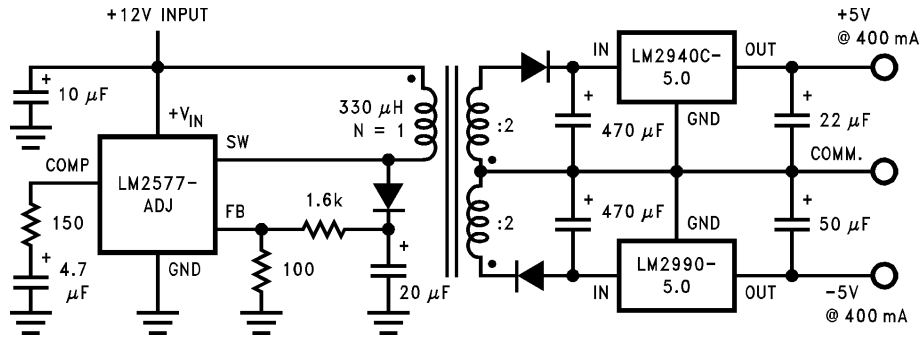
**Maximum Power Dissipation
(TO-263) (See (Note 3))**



1080132

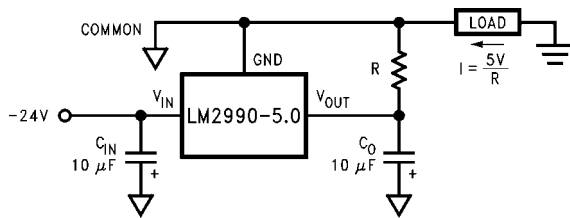
Typical Applications

Post Regulator for an Isolated Switching Power Supply



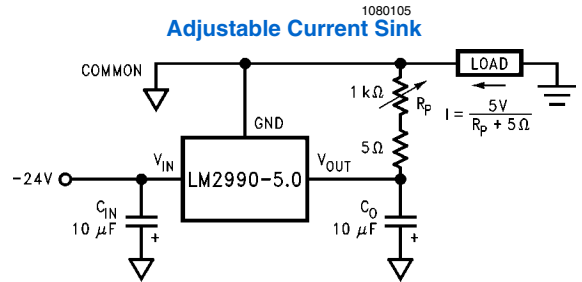
The LM2940 is a positive 1A low dropout regulator; refer to its datasheet for further information.

Fixed Current Sink



1080107

Adjustable Current Sink



1080110

Application Hints

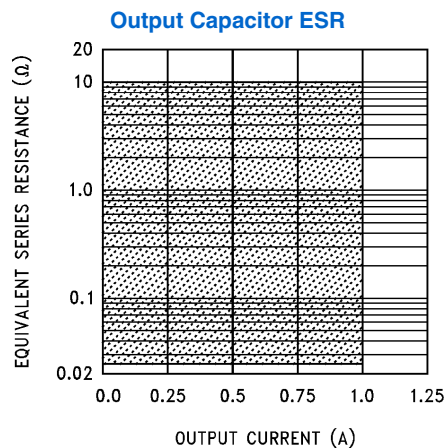
EXTERNAL CAPACITORS

The LM2990 regulator requires an output capacitor to maintain stability. The capacitor must be at least 10 μF aluminum electrolytic or 1 μF solid tantalum. The output capacitor's ESR must be less than 10Ω , or the zero added to the regulator frequency response by the ESR could reduce the phase margin, creating oscillations (refer to the graph on the right). An input capacitor, of at least 1 μF solid tantalum or 10 μF aluminum electrolytic, is also needed if the regulator is situated more than 6" from the input power supply filter.

FORCING THE OUTPUT POSITIVE

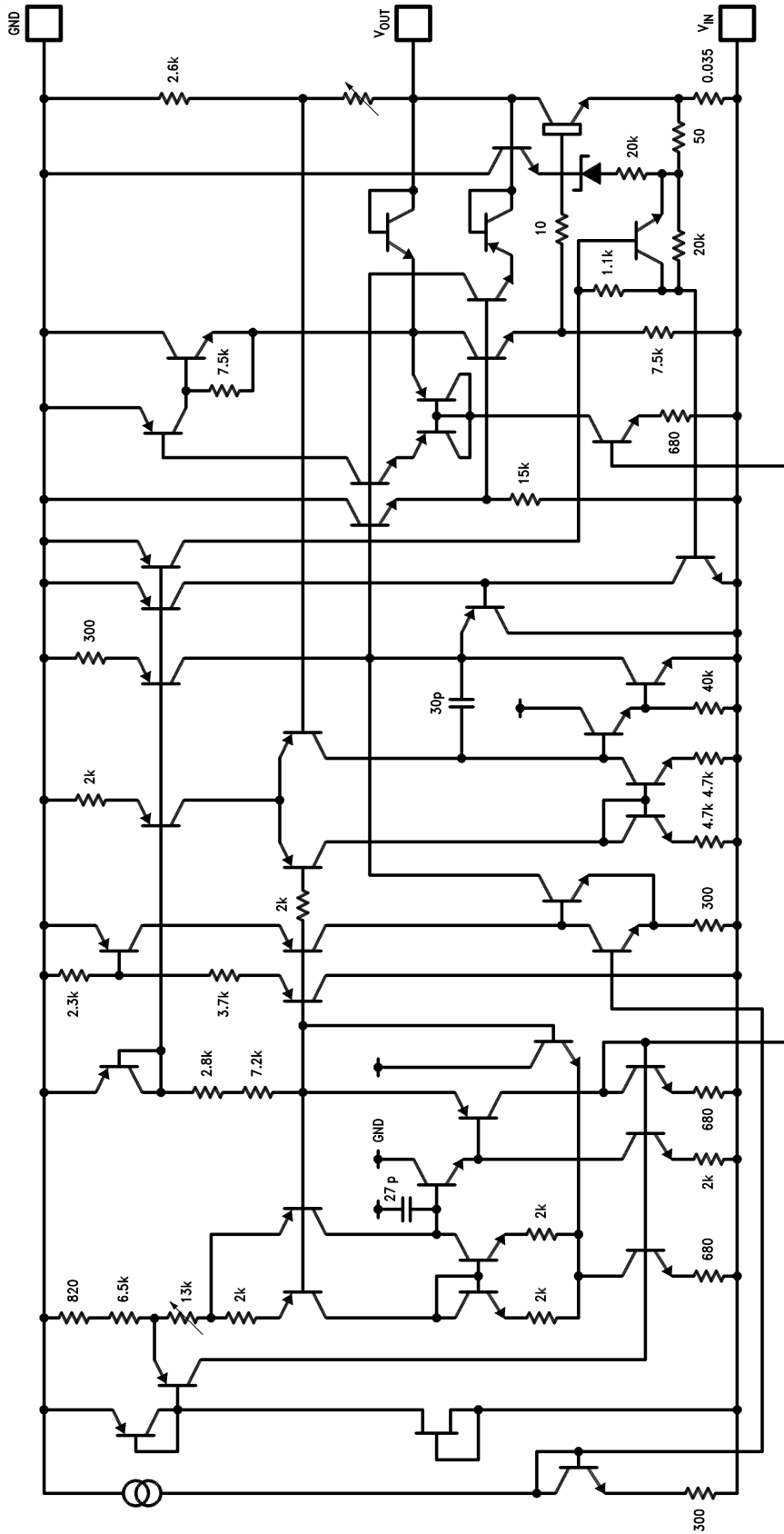
Due to an internal clamp circuit, the LM2990 can withstand positive voltages on its output. If the voltage source pulling the output positive is DC, the current must be limited to 1.5A. A current over 1.5A fed back into the LM2990 could damage the device. The LM2990 output can also withstand fast positive voltage transients up to 26V, without any current limiting of the source. However, if the transients have a duration of

over 1 ms, the output should be clamped with a Schottky diode to ground.



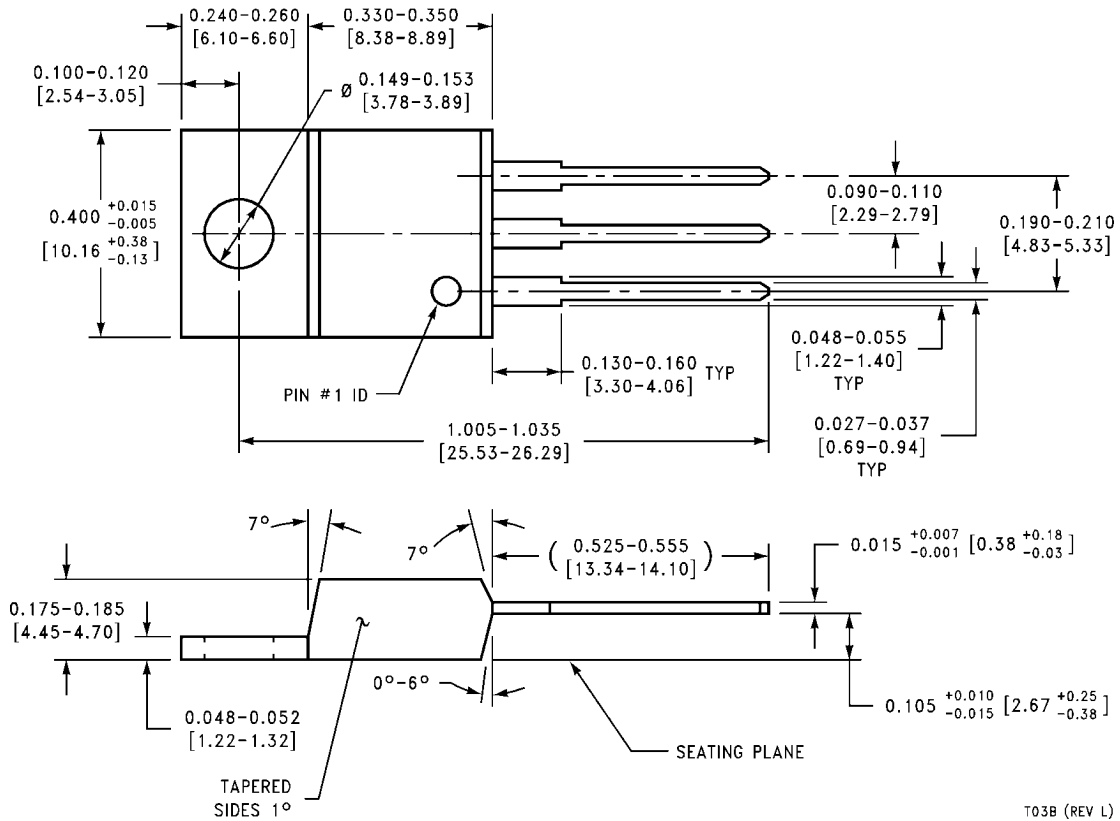
1080109

Equivalent Schematic



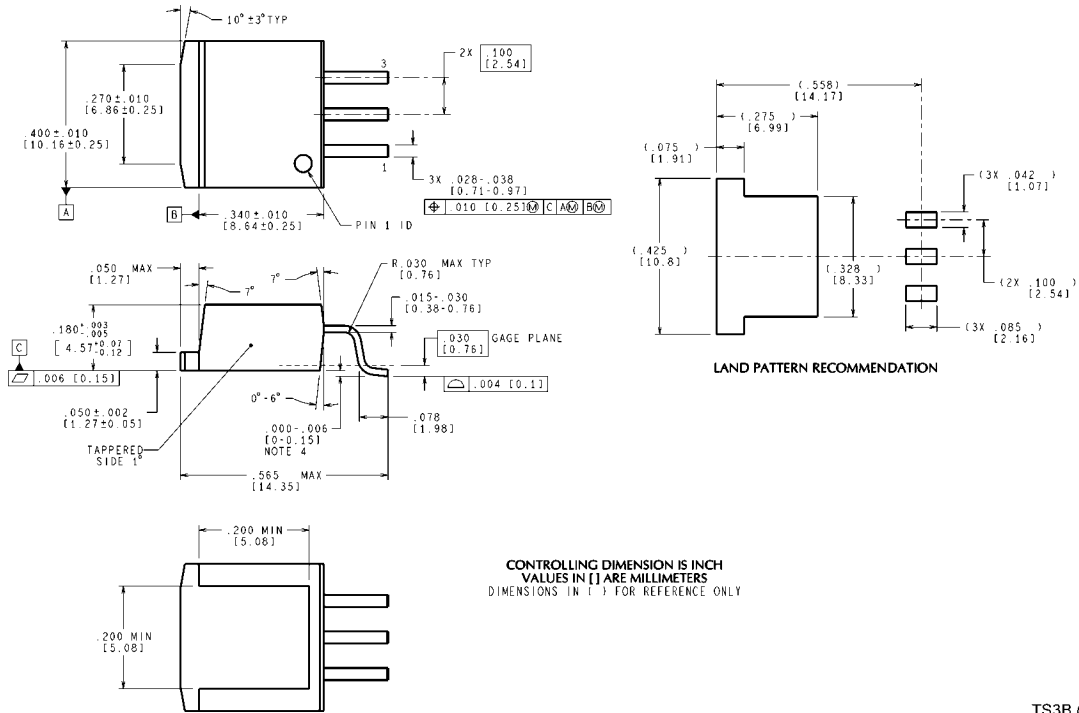
1080108

Physical Dimensions inches (millimeters) unless otherwise noted



TO-220 3-Lead Molded Package
Order Number LM2990T-5.0, LM2990T-5.2, LM2990T-12 or LM2990T-15
NS Package Number T03B

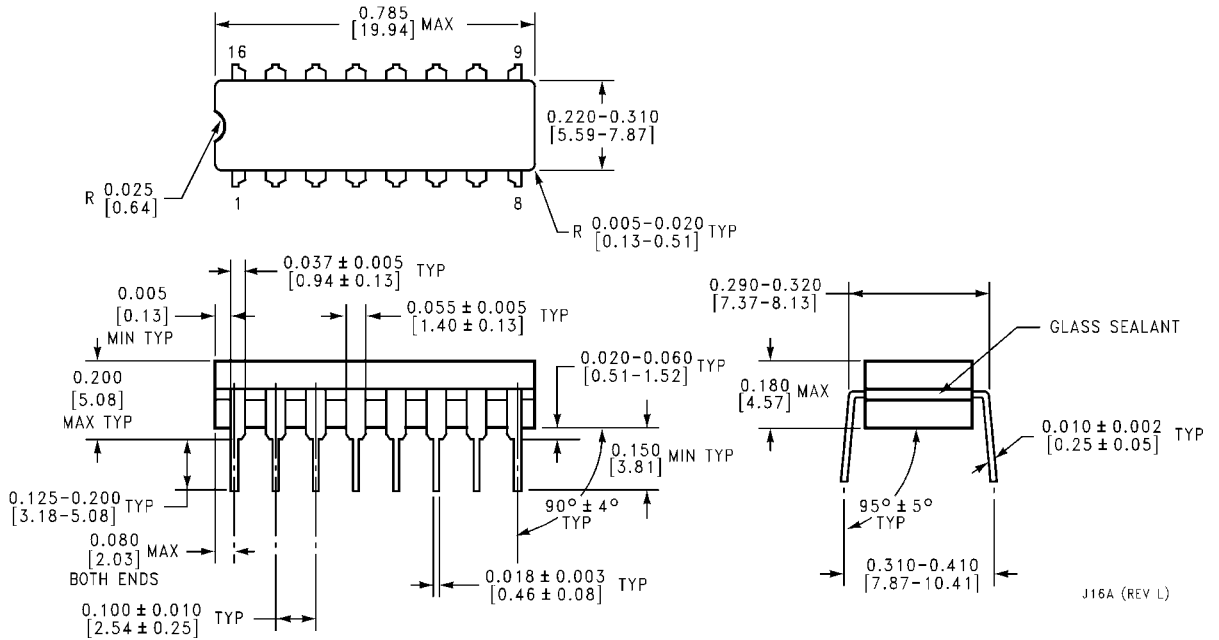
T03B (REV L)



CONTROLLING DIMENSION IS INCH
VALUES IN [] ARE MILLIMETERS
DIMENSIONS IN () FOR REFERENCE ONLY

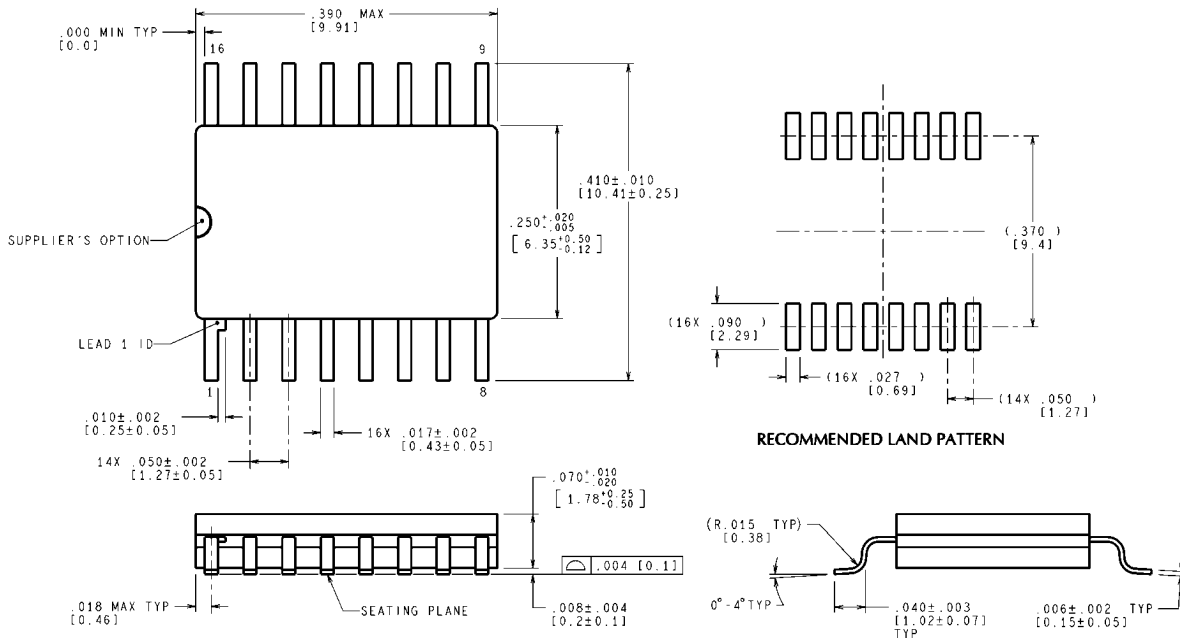
TO-263 3-Lead Plastic Surface Mount Package
Order Number LM2990S-5.0, LM2990S-12 or LM2990S-15
NS Package Number TS3B

TS3B (Rev F)



16-Lead Ceramic Dual-in-Line Package
LM2990J-5.0-QML (5962-9571101QEA), LM2990J-12-QML (5962-9571001QEA), or LM2990J-15-QML (5962-9570901QEA),
NS Package Number J16A

J16A (REV L)



MIL-PRF-38535
CONFIGURATION CONTROL

CONTROLLING DIMENSION IS INCH
VALUES IN [] ARE MILLIMETERS
DIMENSIONS IN () FOR REFERENCE ONLY

WG16A (Rev E)

**16-Lead Ceramic Surface-Mount Package
LM2990WG5.0-QML (5962-9571101QXA)
NS Package Number WG16A**

Notes

For more National Semiconductor product information and proven design tools, visit the following Web sites at:
www.national.com

| Products | | Design Support | |
|--------------------------------|--|------------------------------|--|
| Amplifiers | www.national.com/amplifiers | WEBENCH® Tools | www.national.com/webench |
| Audio | www.national.com/audio | App Notes | www.national.com/appnotes |
| Clock and Timing | www.national.com/timing | Reference Designs | www.national.com/refdesigns |
| Data Converters | www.national.com/adc | Samples | www.national.com/samples |
| Interface | www.national.com/interface | Eval Boards | www.national.com/evalboards |
| LVDS | www.national.com/lvds | Packaging | www.national.com/packaging |
| Power Management | www.national.com/power | Green Compliance | www.national.com/quality/green |
| Switching Regulators | www.national.com/switchers | Distributors | www.national.com/contacts |
| LDOs | www.national.com/ldo | Quality and Reliability | www.national.com/quality |
| LED Lighting | www.national.com/led | Feedback/Support | www.national.com/feedback |
| Voltage References | www.national.com/vref | Design Made Easy | www.national.com/easy |
| PowerWise® Solutions | www.national.com/powerwise | Applications & Markets | www.national.com/solutions |
| Serial Digital Interface (SDI) | www.national.com/sdi | Mil/Aero | www.national.com/milaero |
| Temperature Sensors | www.national.com/tempensors | SolarMagic™ | www.national.com/solarmagic |
| PLL/VCO | www.national.com/wireless | PowerWise® Design University | www.national.com/training |

THE CONTENTS OF THIS DOCUMENT ARE PROVIDED IN CONNECTION WITH NATIONAL SEMICONDUCTOR CORPORATION ("NATIONAL") PRODUCTS. NATIONAL MAKES NO REPRESENTATIONS OR WARRANTIES WITH RESPECT TO THE ACCURACY OR COMPLETENESS OF THE CONTENTS OF THIS PUBLICATION AND RESERVES THE RIGHT TO MAKE CHANGES TO SPECIFICATIONS AND PRODUCT DESCRIPTIONS AT ANY TIME WITHOUT NOTICE. NO LICENSE, WHETHER EXPRESS, IMPLIED, ARISING BY ESTOPPEL OR OTHERWISE, TO ANY INTELLECTUAL PROPERTY RIGHTS IS GRANTED BY THIS DOCUMENT.

TESTING AND OTHER QUALITY CONTROLS ARE USED TO THE EXTENT NATIONAL DEEMS NECESSARY TO SUPPORT NATIONAL'S PRODUCT WARRANTY. EXCEPT WHERE MANDATED BY GOVERNMENT REQUIREMENTS, TESTING OF ALL PARAMETERS OF EACH PRODUCT IS NOT NECESSARILY PERFORMED. NATIONAL ASSUMES NO LIABILITY FOR APPLICATIONS ASSISTANCE OR BUYER PRODUCT DESIGN. BUYERS ARE RESPONSIBLE FOR THEIR PRODUCTS AND APPLICATIONS USING NATIONAL COMPONENTS. PRIOR TO USING OR DISTRIBUTING ANY PRODUCTS THAT INCLUDE NATIONAL COMPONENTS, BUYERS SHOULD PROVIDE ADEQUATE DESIGN, TESTING AND OPERATING SAFEGUARDS.

EXCEPT AS PROVIDED IN NATIONAL'S TERMS AND CONDITIONS OF SALE FOR SUCH PRODUCTS, NATIONAL ASSUMES NO LIABILITY WHATSOEVER, AND NATIONAL DISCLAIMS ANY EXPRESS OR IMPLIED WARRANTY RELATING TO THE SALE AND/OR USE OF NATIONAL PRODUCTS INCLUDING LIABILITY OR WARRANTIES RELATING TO FITNESS FOR A PARTICULAR PURPOSE, MERCHANTABILITY, OR INFRINGEMENT OF ANY PATENT, COPYRIGHT OR OTHER INTELLECTUAL PROPERTY RIGHT.

LIFE SUPPORT POLICY

NATIONAL'S PRODUCTS ARE NOT AUTHORIZED FOR USE AS CRITICAL COMPONENTS IN LIFE SUPPORT DEVICES OR SYSTEMS WITHOUT THE EXPRESS PRIOR WRITTEN APPROVAL OF THE CHIEF EXECUTIVE OFFICER AND GENERAL COUNSEL OF NATIONAL SEMICONDUCTOR CORPORATION. As used herein:

Life support devices or systems are devices which (a) are intended for surgical implant into the body, or (b) support or sustain life and whose failure to perform when properly used in accordance with instructions for use provided in the labeling can be reasonably expected to result in a significant injury to the user. A critical component is any component in a life support device or system whose failure to perform can be reasonably expected to cause the failure of the life support device or system or to affect its safety or effectiveness.

National Semiconductor and the National Semiconductor logo are registered trademarks of National Semiconductor Corporation. All other brand or product names may be trademarks or registered trademarks of their respective holders.

Copyright© 2010 National Semiconductor Corporation

For the most current product information visit us at www.national.com



**National Semiconductor
Americas Technical
Support Center**
Email: support@nsc.com
Tel: 1-800-272-9959

**National Semiconductor Europe
Technical Support Center**
Email: europe.support@nsc.com

**National Semiconductor Asia
Pacific Technical Support Center**
Email: ap.support@nsc.com

**National Semiconductor Japan
Technical Support Center**
Email: jpn.feedback@nsc.com

IMPORTANT NOTICE

Texas Instruments Incorporated and its subsidiaries (TI) reserve the right to make corrections, modifications, enhancements, improvements, and other changes to its products and services at any time and to discontinue any product or service without notice. Customers should obtain the latest relevant information before placing orders and should verify that such information is current and complete. All products are sold subject to TI's terms and conditions of sale supplied at the time of order acknowledgment.

TI warrants performance of its hardware products to the specifications applicable at the time of sale in accordance with TI's standard warranty. Testing and other quality control techniques are used to the extent TI deems necessary to support this warranty. Except where mandated by government requirements, testing of all parameters of each product is not necessarily performed.

TI assumes no liability for applications assistance or customer product design. Customers are responsible for their products and applications using TI components. To minimize the risks associated with customer products and applications, customers should provide adequate design and operating safeguards.

TI does not warrant or represent that any license, either express or implied, is granted under any TI patent right, copyright, mask work right, or other TI intellectual property right relating to any combination, machine, or process in which TI products or services are used. Information published by TI regarding third-party products or services does not constitute a license from TI to use such products or services or a warranty or endorsement thereof. Use of such information may require a license from a third party under the patents or other intellectual property of the third party, or a license from TI under the patents or other intellectual property of TI.

Reproduction of TI information in TI data books or data sheets is permissible only if reproduction is without alteration and is accompanied by all associated warranties, conditions, limitations, and notices. Reproduction of this information with alteration is an unfair and deceptive business practice. TI is not responsible or liable for such altered documentation. Information of third parties may be subject to additional restrictions.

Resale of TI products or services with statements different from or beyond the parameters stated by TI for that product or service voids all express and any implied warranties for the associated TI product or service and is an unfair and deceptive business practice. TI is not responsible or liable for any such statements.

TI products are not authorized for use in safety-critical applications (such as life support) where a failure of the TI product would reasonably be expected to cause severe personal injury or death, unless officers of the parties have executed an agreement specifically governing such use. Buyers represent that they have all necessary expertise in the safety and regulatory ramifications of their applications, and acknowledge and agree that they are solely responsible for all legal, regulatory and safety-related requirements concerning their products and any use of TI products in such safety-critical applications, notwithstanding any applications-related information or support that may be provided by TI. Further, Buyers must fully indemnify TI and its representatives against any damages arising out of the use of TI products in such safety-critical applications.

TI products are neither designed nor intended for use in military/aerospace applications or environments unless the TI products are specifically designated by TI as military-grade or "enhanced plastic." Only products designated by TI as military-grade meet military specifications. Buyers acknowledge and agree that any such use of TI products which TI has not designated as military-grade is solely at the Buyer's risk, and that they are solely responsible for compliance with all legal and regulatory requirements in connection with such use.

TI products are neither designed nor intended for use in automotive applications or environments unless the specific TI products are designated by TI as compliant with ISO/TS 16949 requirements. Buyers acknowledge and agree that, if they use any non-designated products in automotive applications, TI will not be responsible for any failure to meet such requirements.

Following are URLs where you can obtain information on other Texas Instruments products and application solutions:

Products

| | |
|------------------------|--|
| Audio | www.ti.com/audio |
| Amplifiers | amplifier.ti.com |
| Data Converters | dataconverter.ti.com |
| DLP® Products | www.dlp.com |
| DSP | dsp.ti.com |
| Clocks and Timers | www.ti.com/clocks |
| Interface | interface.ti.com |
| Logic | logic.ti.com |
| Power Mgmt | power.ti.com |
| Microcontrollers | microcontroller.ti.com |
| RFID | www.ti-rfid.com |
| OMAP Mobile Processors | www.ti.com/omap |
| Wireless Connectivity | www.ti.com/wirelessconnectivity |

Applications

| | |
|-------------------------------|--|
| Communications and Telecom | www.ti.com/communications |
| Computers and Peripherals | www.ti.com/computers |
| Consumer Electronics | www.ti.com/consumer-apps |
| Energy and Lighting | www.ti.com/energy |
| Industrial | www.ti.com/industrial |
| Medical | www.ti.com/medical |
| Security | www.ti.com/security |
| Space, Avionics and Defense | www.ti.com/space-avionics-defense |
| Transportation and Automotive | www.ti.com/automotive |
| Video and Imaging | www.ti.com/video |

TI E2E Community Home Page

e2e.ti.com

Mailing Address: Texas Instruments, Post Office Box 655303, Dallas, Texas 75265
Copyright © 2011, Texas Instruments Incorporated