

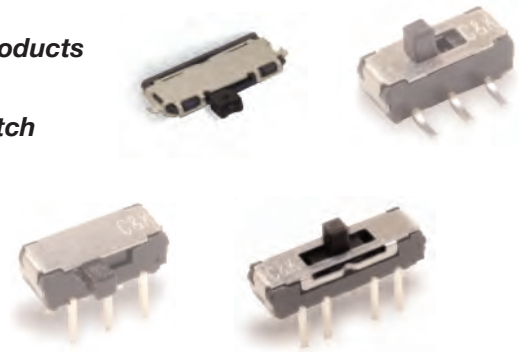
JS Series Sub-Miniature Slide Switches

Features/Benefits

- Positive detent
- Low profile
- IR reflow to 260° solder profile
- Surface and thru hole mounting
- SPDT, DPDT, DP3T models
- RoHS compliant

Typical Applications

- Telecommunication products
- Computer peripherals
- Thermostat select switch
- Instrumentations



Specifications

CONTACT RATING: See individual series for information.
 ELECTRICAL LIFE: See individual series for information.
 CONTACT RESISTANCE: 70 m Ω max.
 INSULATION RESISTANCE: 100 M Ω min. @ 500V.
 DIELECTRIC STRENGTH: 500 VAC min. @ sea level.
 OPERATING TEMPERATURE: -40°C to +85°C
 STORAGE TEMPERATURE: -40°C to +85°C

NOTE: Specifications and materials listed above are for switches with standard options.
 For information on specific and custom switches, consult Customer Service Center.

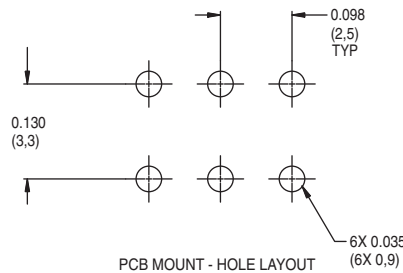
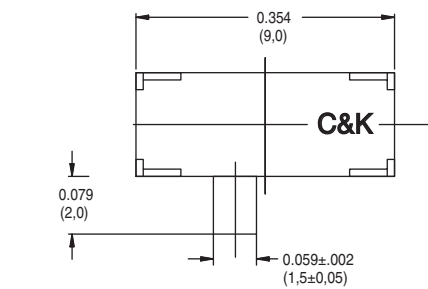
Materials

HOUSING: 4/6 nylon (UL94V-2), black.
 ACTUATOR: 4/6 nylon (UL94V-2), black.
 CONTACTS: Copper alloy, silver plated.
 TERMINALS: Brass, silver plated

RIGHT ANGLE, PC THRU-HOLE

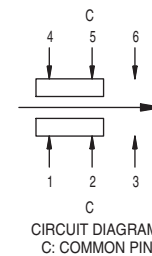
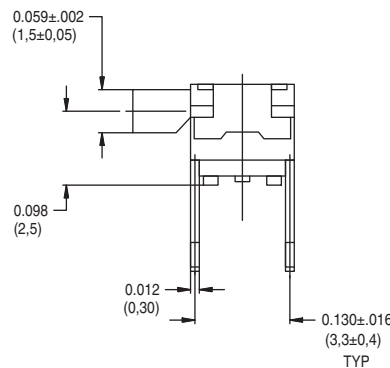
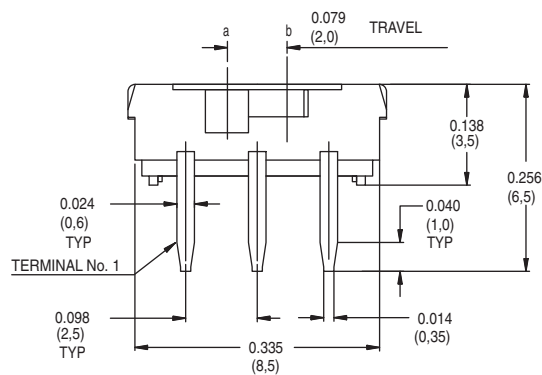
CONTACT RATING: 6 VDC @ 0.3A
 CONTACT RATING: 30 VDC @ 0.1A

ELECTRICAL LIFE: 5,000 make-and-break cycles.
 ELECTRICAL LIFE: 15,000 make-and-break cycles.

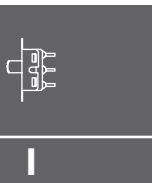


Part Number
 JS202011AQN
 DPDT

Shown in position 1



Dimensions are shown: Inches (mm)
 Specifications and dimensions subject to change



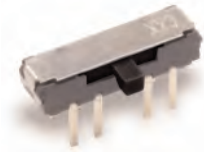
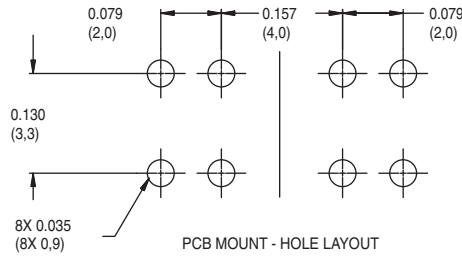
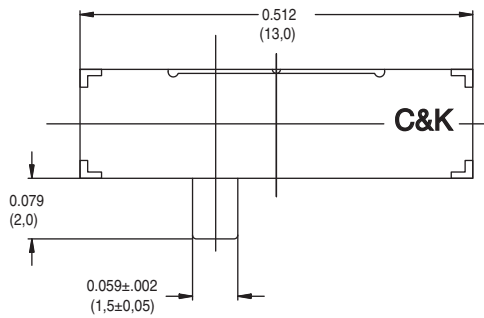
Slide

JS Series Sub-Miniature Slide Switches

RIGHT ANGLE, PC THRU-HOLE

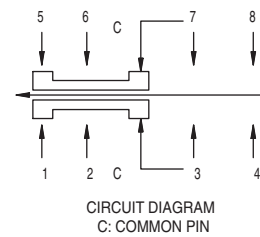
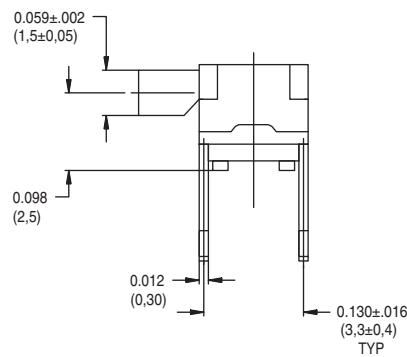
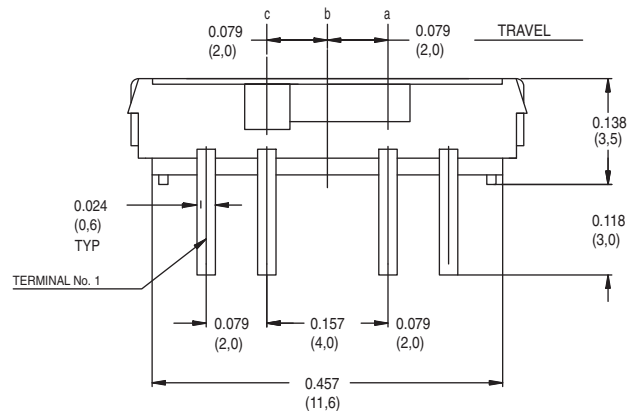
CONTACT RATING: 6 VDC @ 0.3A
CONTACT RATING: 30 VDC @ 0.1A

ELECTRICAL LIFE: 5,000 make-and-break cycles.
ELECTRICAL LIFE: 15,000 make-and-break cycles.



Part Number
JS203011AQN
DP3T

Shown in position 1

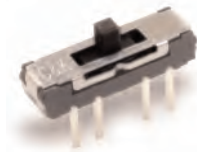
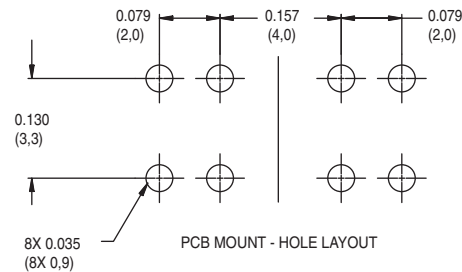
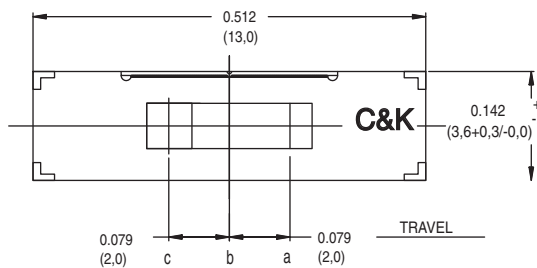


Slide

PC THRU-HOLE

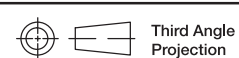
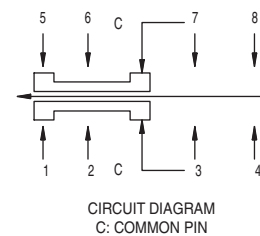
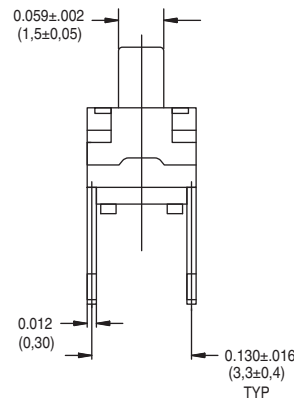
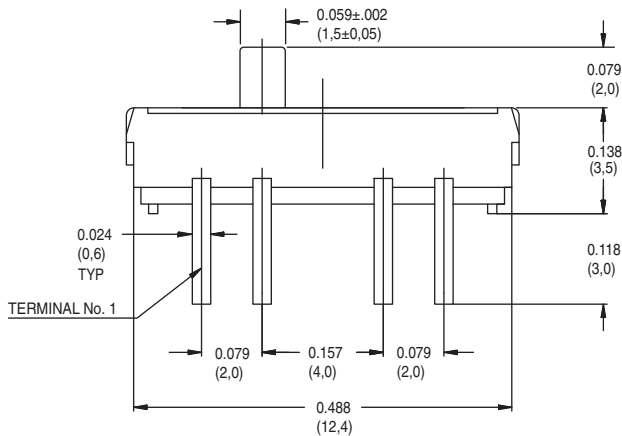
CONTACT RATING: 6 VDC @ 0.3A
CONTACT RATING: 30 VDC @ 0.1A

ELECTRICAL LIFE: 5,000 make-and-break cycles.
ELECTRICAL LIFE: 15,000 make-and-break cycles.



Part Number
JS203011CQN
DP3T

Shown in position 1



Third Angle
Projection

Dimensions are shown: Inch (mm)
Specifications and dimensions subject to change

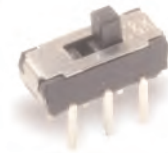
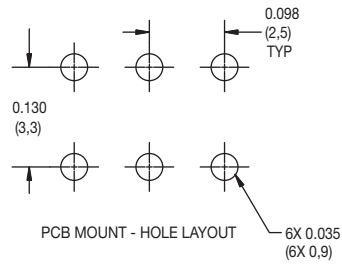
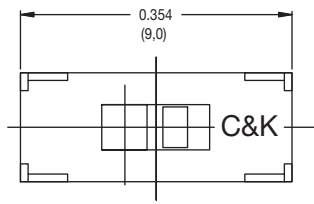


JS Series Sub-Miniature Slide Switches

PC THRU-HOLE

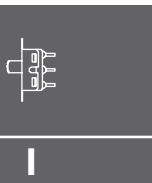
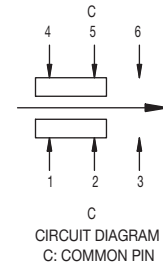
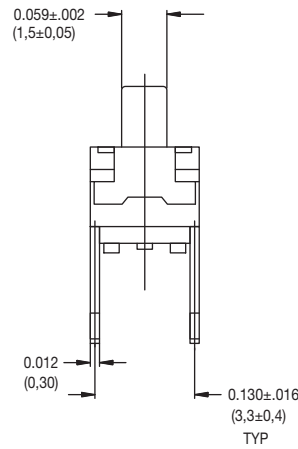
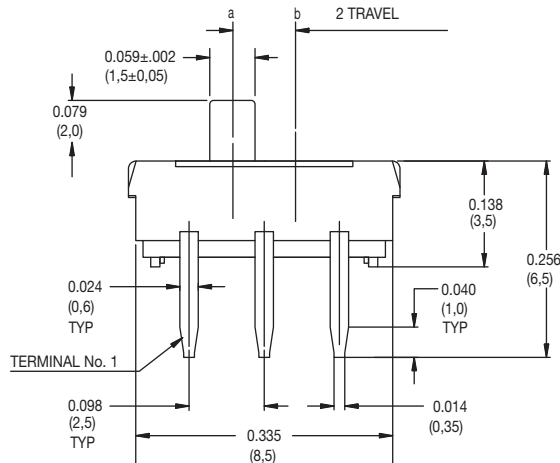
CONTACT RATING: 6 VDC @ 0.3A
CONTACT RATING: 30 VDC @ 0.1A

ELECTRICAL LIFE: 5,000 make-and-break cycles.
ELECTRICAL LIFE: 15,000 make-and-break cycles.



Part Number
JS202011CQN
DPDT

Shown in position 1



Slide

SURFACE MOUNT

CONTACT RATING: 6 VDC @ 0.3A
CONTACT RATING: 30 VDC @ 0.1A

ELECTRICAL LIFE: 5,000 make-and-break cycles.
ELECTRICAL LIFE: 15,000 make-and-break cycles.

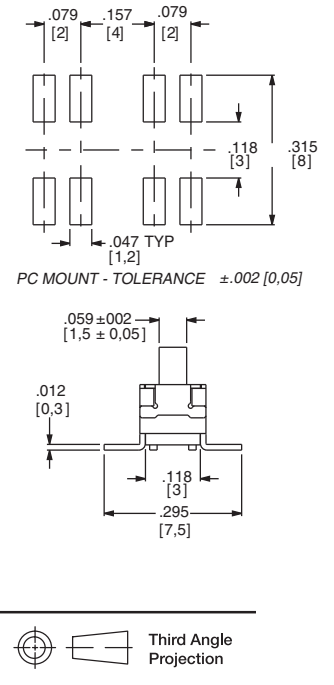
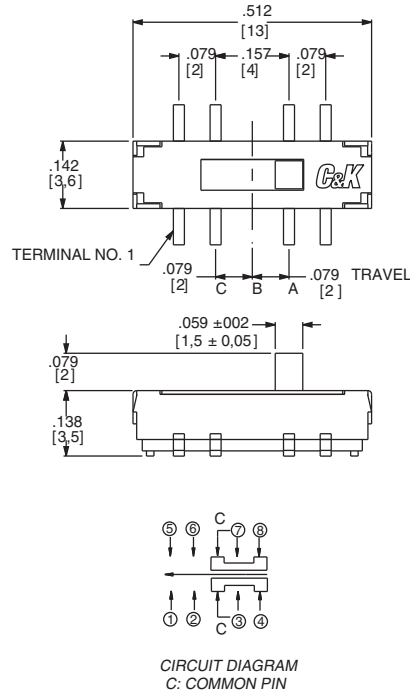
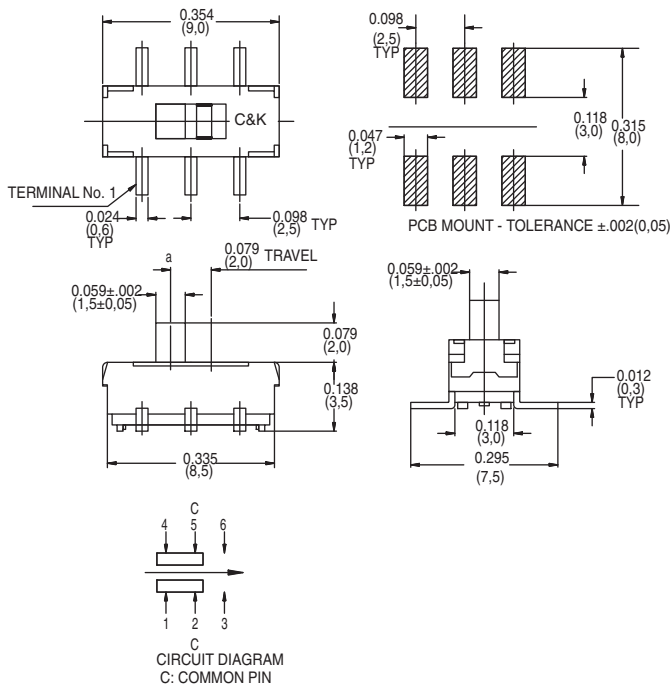


Part number
JS202011SCQN
DPDT

Shown in position 1. Quantity per reel 1000

Part number
JS203011SCQN
DP3T

Shown in position 1. Quantity per reel 900



Third Angle Projection

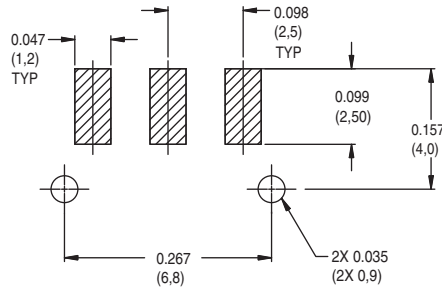
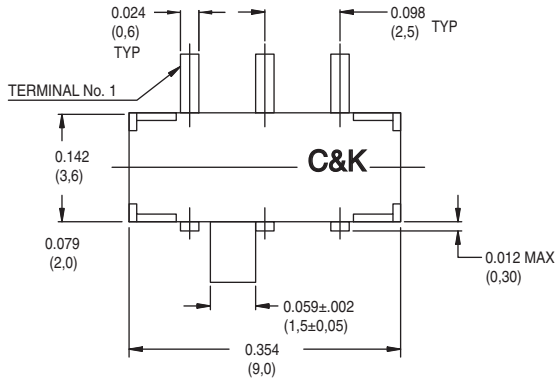
Dimensions are shown: Inches (mm)
Specifications and dimensions subject to change

JS Series Sub-Miniature Slide Switches

RIGHT ANGLE SURFACE MOUNT

CONTACT RATING: 6 VDC @ 0.3A
CONTACT RATING: 30 VDC @ 0.1A

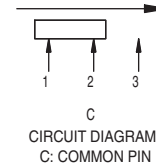
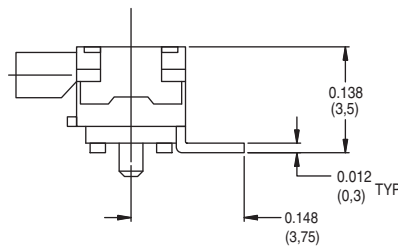
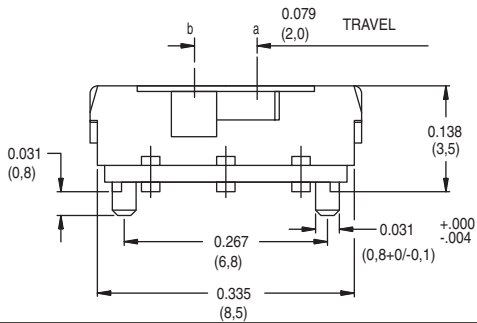
ELECTRICAL LIFE: 5,000 make-and-break cycles.
ELECTRICAL LIFE: 15,000 make-and-break cycles.



Part Number
JS102011SAQN
SPDT

Shown in position 1

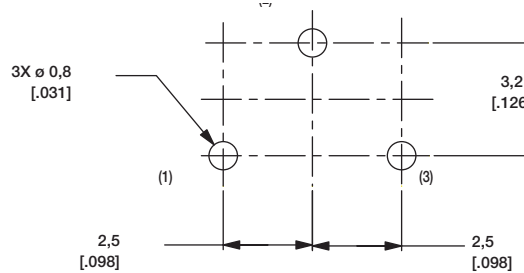
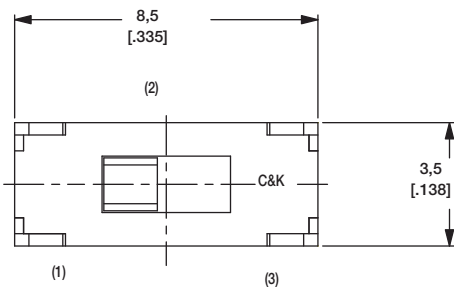
Available in tape & reel only, see page I-54



Slide

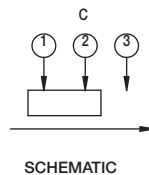
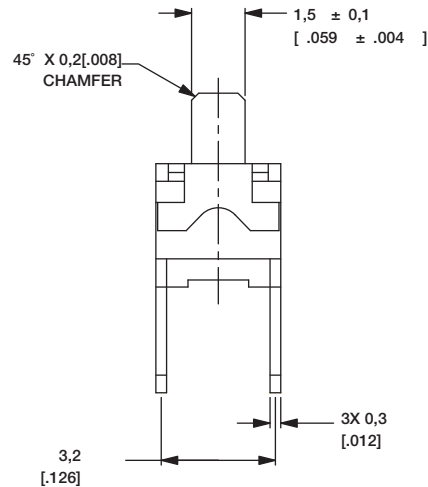
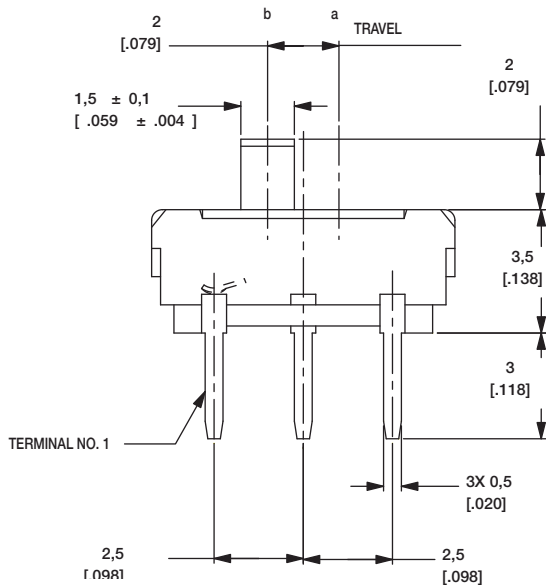
CONTACT RATING: 6 VDC @ 0.3A
CONTACT RATING: 30 VDC @ 0.1A

ELECTRICAL LIFE: 5,000 make-and-break cycles.
ELECTRICAL LIFE: 15,000 make-and-break cycles.



Part Number
JS102011CQN
SPDT

Shown in position 1



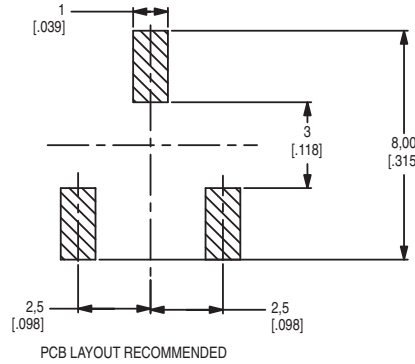
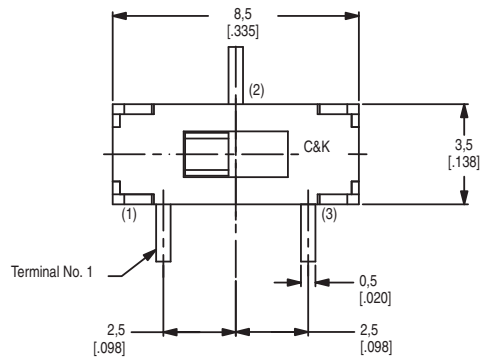
Third Angle Projection
Dimensions are shown: Inch (mm)
Specifications and dimensions subject to change



JS Series Sub-Miniature Slide Switches

CONTACT RATING: 6 VDC @ 0.3A
CONTACT RATING: 30 VDC @ 0.1A

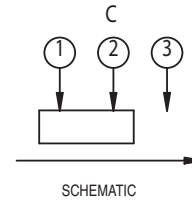
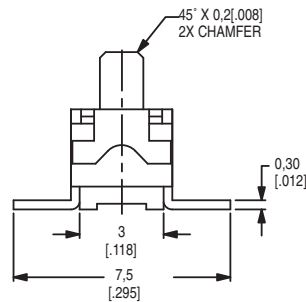
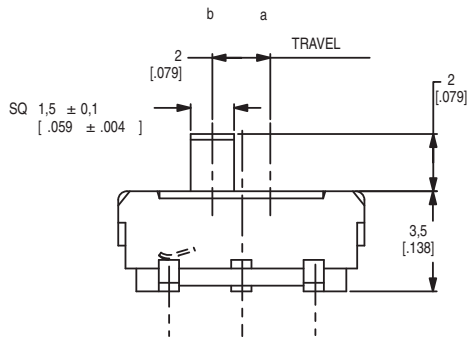
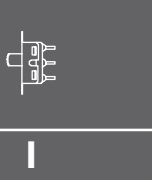
ELECTRICAL LIFE: 5,000 make-and-break cycles.
ELECTRICAL LIFE: 15,000 make-and-break cycles.



Part Number
JS102011SCQN
SPDT

Shown in position 1

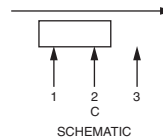
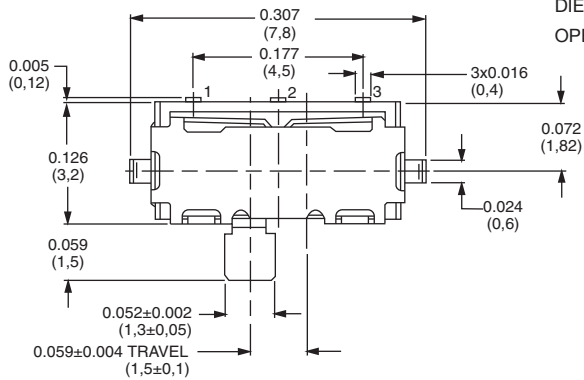
Available in tape & reel
only, see page I-54



RIGHT ANGLE SURFACE MOUNT
LOW PROFILE .028±.004 (0.7±0.1) HIGH

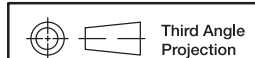
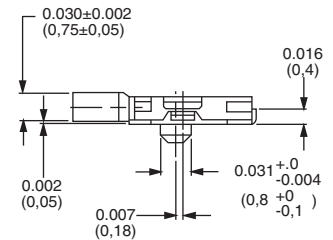
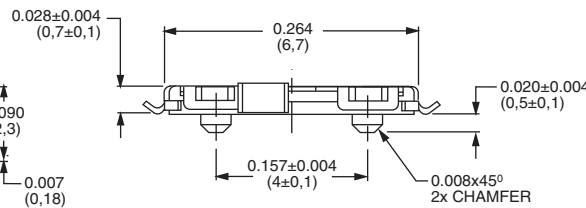
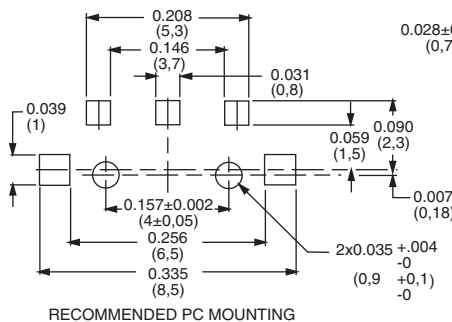
Specifications

CONTACT RATING: 5 VDC @ 1MA
ELECTRICAL LIFE: 15,000 cycles.
CONTACT RESISTANCE: <100 m ohms (initial) <200 m ohms (after processing).
INSULATION RESISTANCE: 100 m ohms @500 VDC.
DIELECTRIC STRENGTH: 250 VAC.
OPERATING TEMPERATURE: -40°C to +85°C



Part Number
JS102000SAQN
SPDT

Available in tape & reel
only, see page I-54



Third Angle
Projection

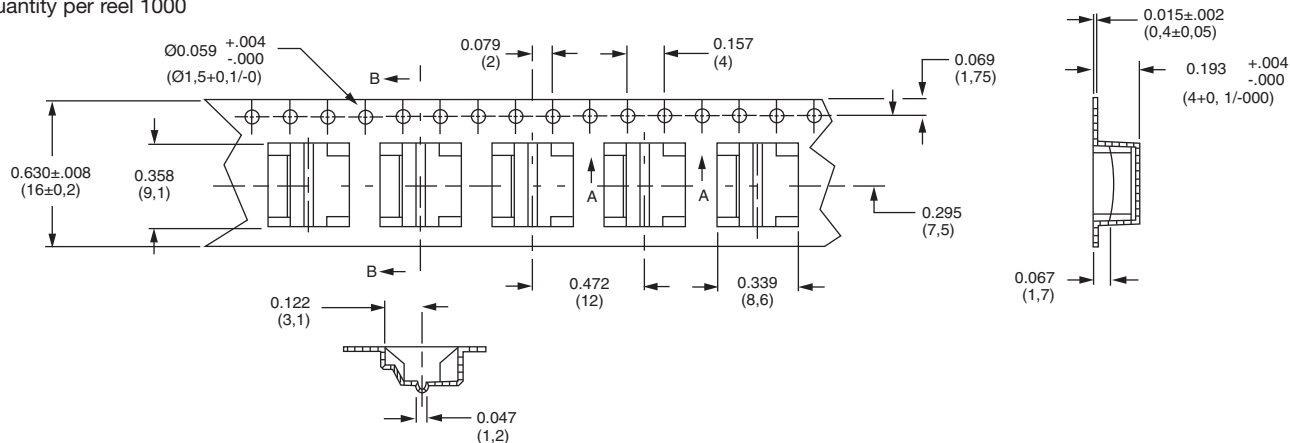
Dimensions are shown: Inches (mm)
Specifications and dimensions subject to change



JS Series Sub-Miniature Slide Switches

TAPE AND REEL FOR PART NUMBER JS10211SAQN

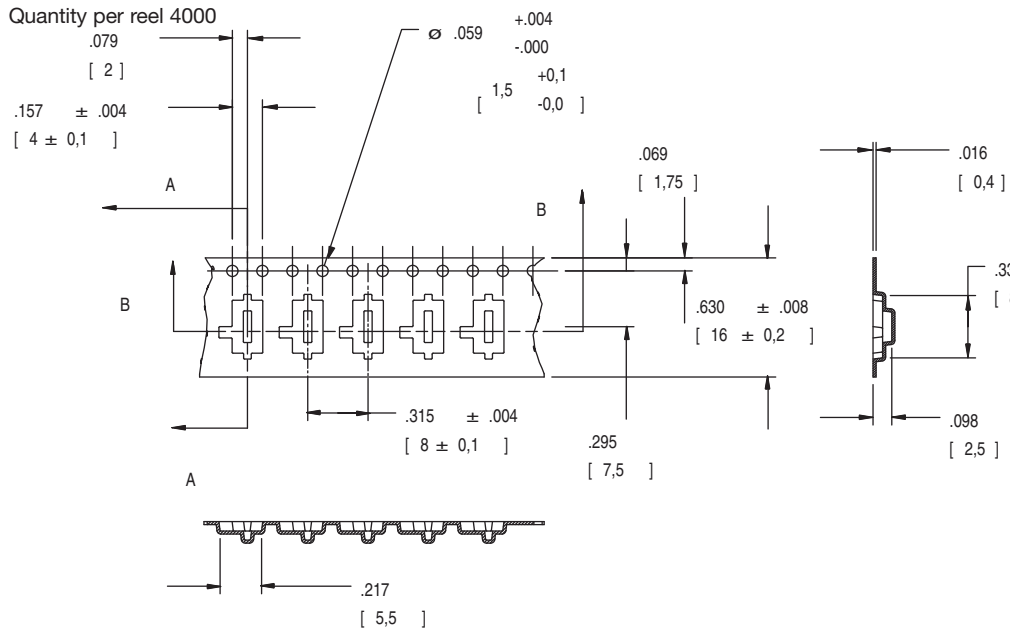
Quantity per reel 1000



Slide

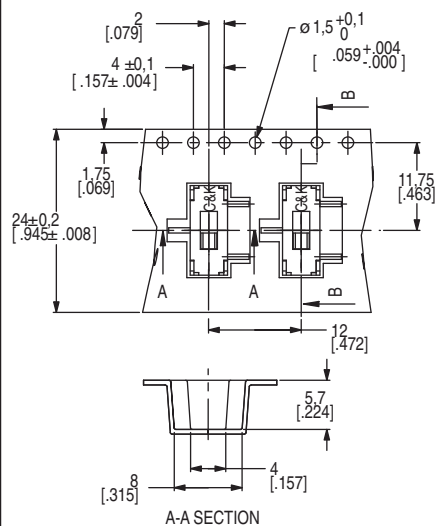
TAPE AND REEL FOR PART NUMBER JS102000SAQN

Quantity per reel 4000



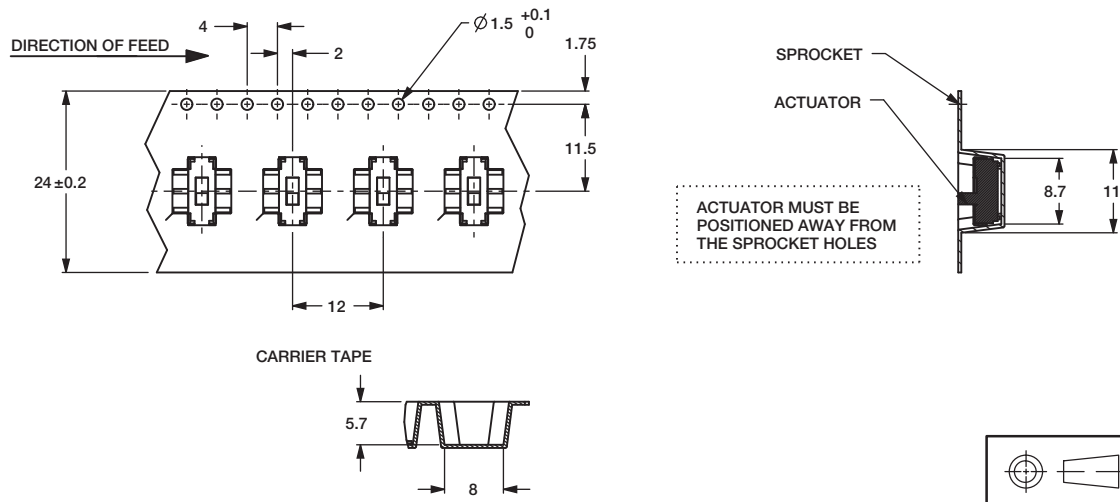
TAPE AND REEL FOR PART NUMBER JS102011SCQN

Quantity per reel 1000



TAPE AND REEL FOR PART NUMBER JS202011SCQN

Quantity per reel 1000



Third Angle Projection

Dimensions are shown: Inch (mm)
Specifications and dimensions subject to change

