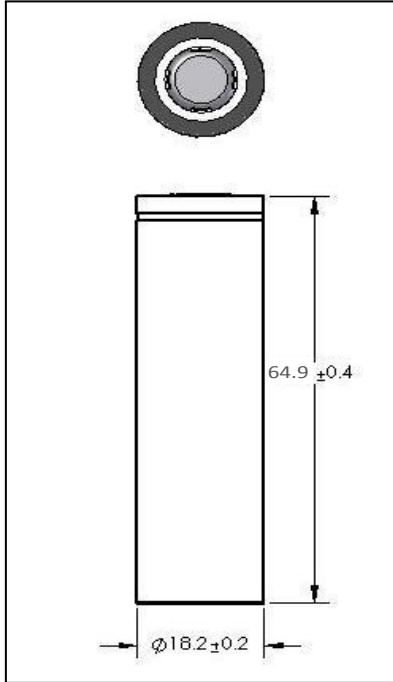


Cell Type: IMR18650E22

Rechargeable Lithium-ion cylindrical cell based on high capacity NMC cathode technology.



Performance Specifications

Capacity (nominal)	2200 mAh
Capacity (minimum)	2150 mAh
Nominal Voltage	3.6 V
Cycle Life (80%)	> 500 cycles
Operating Temp.	-30°C to 60°C
Charging Temp.	0°C to 40°C
Gravimetric Energy	190Wh/Kg
Energy Density	475 Wh/L

Physical Specifications *

Cell Diameter	18.2 +/- 0.2 mm
Cell Height	64.9 +/- 0.4 mm
Cell Weight (typical)	42.5 g

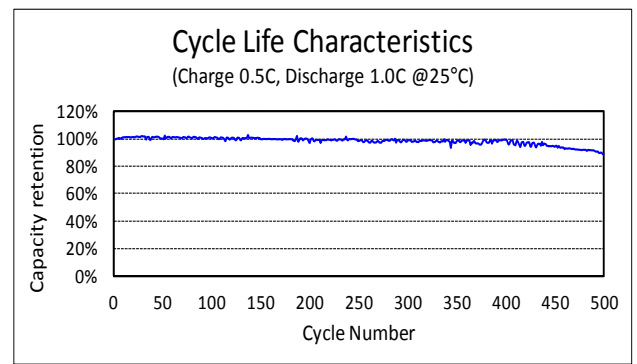
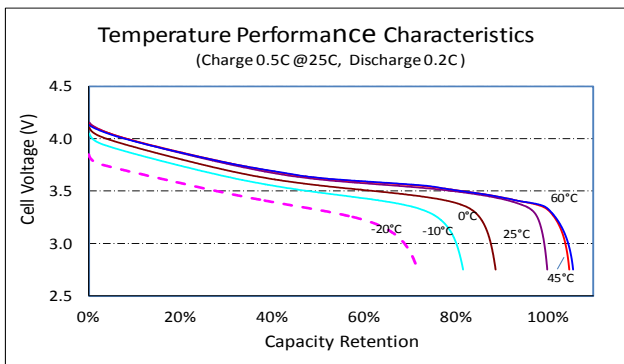
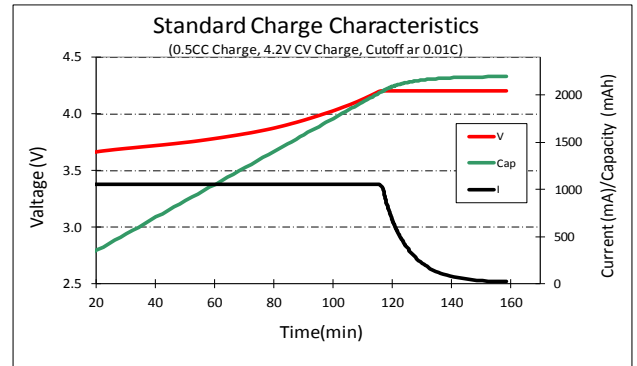
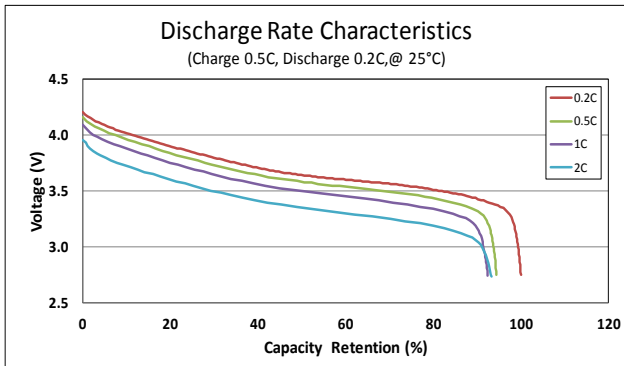
* Dimensions include shrink wrap

Discharge Characteristics

Discharge V (min)	2.75 V
Discharge max (continuous)	4.4 A (2C)
Discharge peak (10 sec.)	6.6 A (3C)

Charge Characteristics

Charge Method	CC-CV
Charge Current	1.1 A
Max Charge Current	2.2 A
Constant Voltage	4.15 – 4.20 V
Charge Termination	22 mA



Specifications are subject to change without notice. Consult Farasis for the most current product information.