

HTU21D Sensor – Miniature Relative Humidity and Temperature Sensor



- DFN type package
- Relative Humidity and Temperature Digital Output, I²C interface
- Fully calibrated
- Lead free sensor, reflow solderable
- Low power consumption
- Fast response time and very low temperature coefficient

DESCRIPTION

HTU21D, the new humidity and temperature sensor of MEAS is about to set new standards in terms of size and intelligence: Embedded in a reflow solderable Dual Flat No leads (DFN) package of 3 x 3mm foot print and 1mm height it provides calibrated, linearized signals in digital, I²C format.

HTU21D sensors are dedicated humidity and temperature plug and play transducers for OEM applications where reliable and accurate measurements are needed. Direct interface with a micro-controller is made possible with the module humidity and temperature digital outputs. HTU21D sensors are low power consumption designed for high volume and cost sensitive applications with tight space constraints.

Every sensor is individually calibrated and tested. Lot identification is printed on the sensor and an electronic identification code is stored on the chip – which can be read out by command. Furthermore, the resolution of HTU21D sensor can be changed by command (8/12bit up to 12/14bit for RH/T), low battery can be detected and a checksum improves communication reliability.

With made improvements and the miniaturization of the sensor the performance-to-price ratio has been improved – and eventually, any device should benefit from the cutting edge energy saving operation mode.

FEATURES

- Full interchangeability with no calibration required in standard conditions
- Instantaneous desaturation after long periods in saturation phase
- Compatible with automatized assembly processes, including Pb free and reflow processes
- Individual marking for compliance to stringent traceability requirements

APPLICATIONS

- Automotive
- Home Appliance
- Medical
- Printers
- Humidifier

HTU21D Sensor – Miniature Relative Humidity and Temperature Sensor

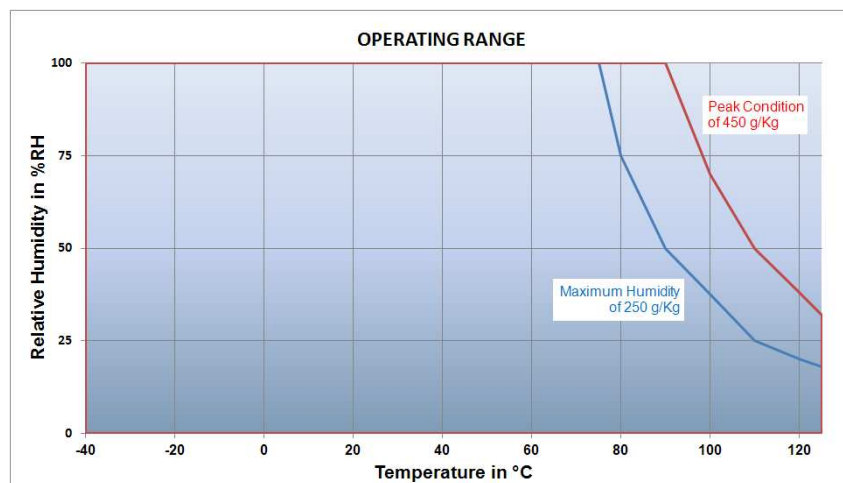
PERFORMANCE SPECS

MAXIMUM RATINGS

Ratings	Symbol	Value	Unit
Storage Temperature	T_{stg}	-40 to 125	°C
Supply Voltage (Peak)	V_{cc}	3.8V	V_{dc}
Humidity Operating Range	RH	0 to 100	%RH
Temperature Operating Range	T_a	-40 to +125	°C
VDD to GND		-0.3 to 3.6V	V
Digital I/O pins (DATA/SCK) to VDD		-0.3 to VDD+0.3	V
Input current on any pin		-10 to +10	mA

Peak conditions: less than 10% of the operating time

Exposure to absolute maximum rating conditions for extended periods may affect the sensor reliability.



ELECTRICAL AND GENERAL ITEMS

(@T = 25°C, @Vdd = 3V)

Characteristics	Symbol	Min	Typ	Max	Unit	
Voltage Supply	VDD	1.8	3.0	3.6	V	
Current consumption ⁽¹⁾	Sleep mode	idd		0.08	0.3	μA
	Measuring		300	450	500	μA
Power Dissipation	Sleep mode		0.25	1.1	μW	
	Average 8bit ⁽²⁾		2.7		μW	
Communication	digital 2-wire interface, I ² C protocol					
Heater	VDD=3V	5.5mW/ΔT=+0.5-1.5°C				
Storage	-40°C /125°C					

⁽¹⁾ Conditions: $V_{dd} = 3V$, SCK= 400kHz at 25°C

⁽²⁾ Conditions: $V_{dd} = 3V$, SCK= 400kHz, Temp<60°C

HTU21D Sensor – Miniature Relative Humidity and Temperature Sensor

SENSOR PERFORMANCE

RELATIVE HUMIDITY

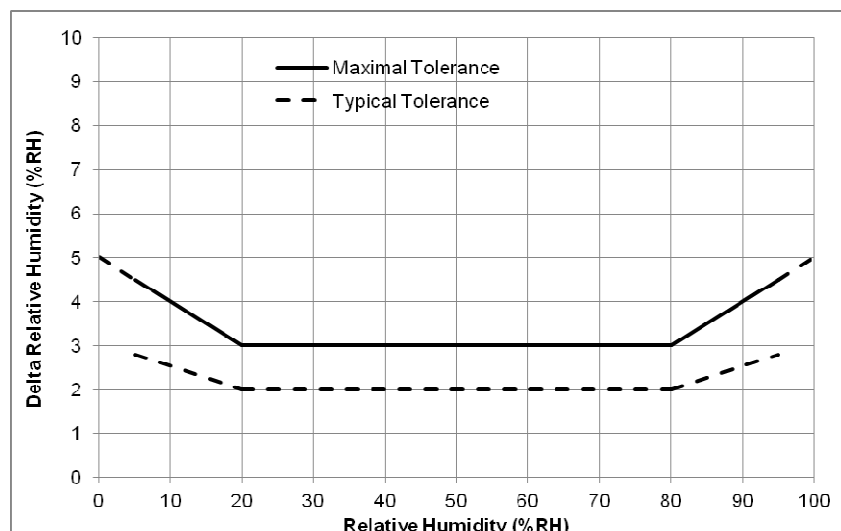
(@T = 25°C, @Vdd = 3V)

Characteristics		Symbol	Min	Typ	Max	Unit
Resolution	12 bit			0.04		%RH
	8 bit			0.7		%RH
Humidity Operating Range		RH	0		100	%RH
Relative Humidity Accuracy @25°C (10%RH to 95%RH)	typ			±2		%RH
	max			±3	±5	%RH
Replacement		fully interchangeable				
Humidity Hysteresis				±1		%RH
Measuring Time ⁽¹⁾	12 bit			14	18	ms
	11 bit			7	9	ms
	10 bit			4	5	ms
	8 bit			2	3	ms
PSRR					±10	LSB
Recovery time after 150 hours of condensation		t		10		s
Long term drift				0.5		%RH/yr
Response Time (at 63% of signal) from 33 to 75%RH ⁽²⁾		T _{RH}		5	10	s

⁽¹⁾ Typical values are recommended for calculating energy consumption while maximum values shall be applied for calculating waiting times in communication.

⁽²⁾ At 1m/s air flow

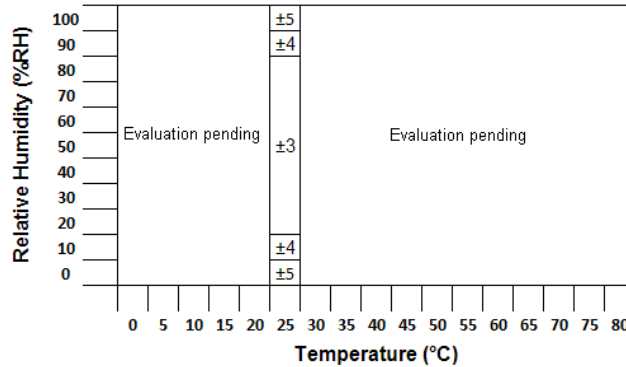
RELATIVE HUMIDITY ERROR BUDGET CONDITIONS AT 25°C



- HTU21D sensors are specified for optimum accuracy measurements within 5 to 95%RH.
- Excursion out of this range (< 5% or > 95% RH, including condensation) does not affect the reliability of HTU21D sensor characteristics.

HTU21D Sensor – Miniature Relative Humidity and Temperature Sensor

RELATIVE HUMIDITY ACCURACY AT VARIOUS TEMPERATURES



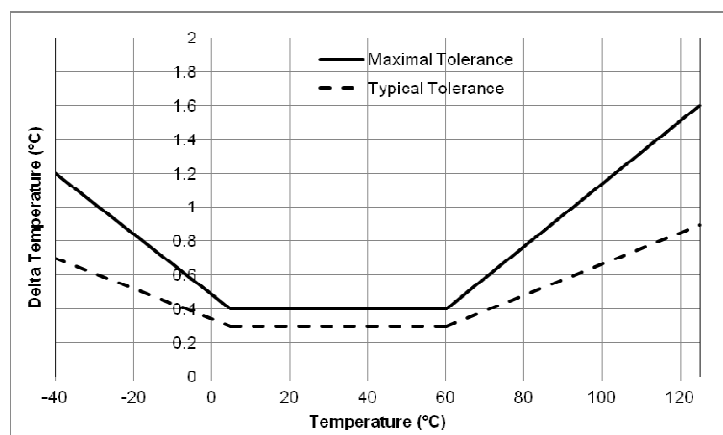
TEMPERATURE

Characteristics		Symbol	Min	Typ	Max	Unit
Resolution	14 bit			0.01		°C
	12 bit			0.04		°C
Temperature Operating Range		T	-40		+125	°C
Temperature Accuracy @25°C	typ			±0.3		°C
	max			±0.4		°C
Replacement			fully interchangeable			
Measuring time ⁽¹⁾	14 bit			44	58	ms
	13 bit			22	29	ms
	12 bit			11	15	ms
	11 bit			6	8	ms
PSSR					±25	LSB
Long term drift				0.04		°C/yr
Response Time (at 63% of signal) from 15°C to 45°C ⁽²⁾		T _T		10		s

⁽¹⁾ Typical values are recommended for calculating energy consumption while maximum values shall be applied for calculating waiting times in communication.

⁽²⁾ At 1m/s air flow

TEMPERATURE ERROR BUDGET



HTU21D Sensor – Miniature Relative Humidity and Temperature Sensor

USER GUIDE HTU21D

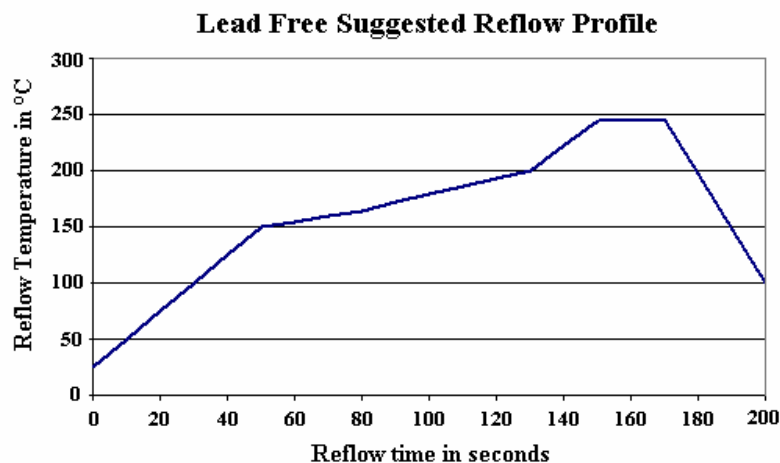
APPLICATION INFORMATION

- **Soldering instructions: Lead free reflow soldering recommended process**

For soldering HTU21D sensor standard reflow soldering ovens may be used.

HTU21D sensor as a humidity sensitive component (as classified by IPC/JEDEC J-STD-020 or equivalent documented procedure with peak temperature at 260°C during up to 30 seconds for Pb-free assembly in IR/convection reflow ovens) must be handled in a manner consistent with IPC/JEDEC J-STD-033 or an equivalent documented procedure. IPC-1601 provides humidity control, handling and packing of PCBs.

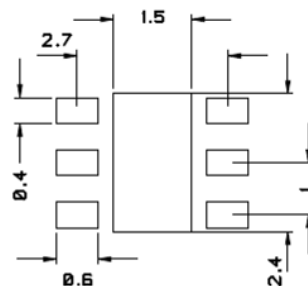
The HTU21D sensor is qualified to withstand one lead free reflow soldering recommended process profile below according to JEDEC standard.



Mount parts within 24 hours after printing solder paste to avoid potential dry up.

For manual soldering, contact time must be limited to 5 seconds at up to 350°C.

For the design of the HTU21D sensor footprint, it is recommended to use dimensions according to figure below.



Recommended footprint for HTU21D sensors. Values in mm.

HTU21D Sensor – Miniature Relative Humidity and Temperature Sensor

- **Storage Conditions and Handling Instructions**

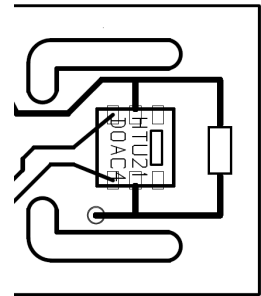
It is recommended to store HTU21D sensor in its original packaging at following conditions: Temperature shall be in the range of -40°C – 125°C.

- **Temperature effects**

Relative humidity reading strongly depends on temperature. Therefore, it is essential to keep humidity sensors at the same temperature as the air of which the relative humidity is to be measured.

In case of testing or qualification the reference sensor and test sensor must show equal temperature to allow for comparing humidity readings.

If the HTU21D sensor should be mounted in a way that prevents heat transfer from electronic sensor or keeps it as low as possible. Advices can be ventilation, reduction of copper layers between the HTU21D sensor and the rest of the PCB or milling a slit into the PCB around the sensor.



Example of HTU21D sensor mounting with slits mills to minimize heat transfer

- **Light**

HTU21D sensors are not light sensitive.

- **Materials Used for Sealing / Mounting**

For sealing and gluing (use sparingly), use high filled epoxy for electronic packaging and silicone. For any specific material please request to humidity.application@meas-spec.com.

- **Wiring Considerations and Signal Integrity**

Carrying the SCK and DATA signal parallel and in close proximity (e.g. in wires) for more than 10cm may result in cross talk and loss of communication.

This may be resolved by routing VDD and/or GND between the two data signals and/or using shielded cables. Furthermore, slowing down SCK frequency will possibly improve signal integrity.

Power supply pins (VDD, GND) must be decoupled with a 100nF capacitor if wires are used. Capacitor should be placed as close as possible to the sensor.

- **ESD (Electrostatic Discharge)**

ESD immunity is qualified according to:

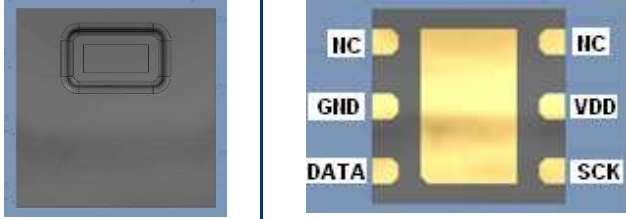
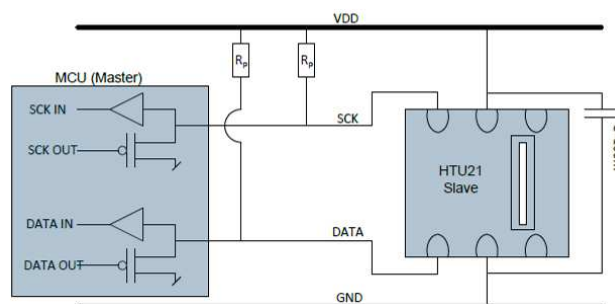
- JEDEC JESD22-A114 method (Human Body Model at $\pm 4\text{kV}$)
- JEDEC JESD22-A115 method (Machine Model $\pm 200\text{V}$)
- ESDA ESD-STM5.3.1-1999 and AEC-Q100-011 (charged device model, 750V corner pins, 500V other pins).

Latch-up immunity is provided at a force current of $\pm 100\text{mA}$ with $T_{\text{amb}}=25^\circ\text{C}$ according to JEDEC JESD78. F or exposure beyond named limits the sensor need additional protection circuit.

HTU21D Sensor – Miniature Relative Humidity and Temperature Sensor

INTERFACE SPECIFICATION

N°	Function	Comment
1	DATA	Serial Data, bidirectional
2	GND	Ground
3	NC	Must be left unconnected
4	NC	Must be left unconnected
5	VDD	Supply Voltage
6	SCK	Serial Clock, bidirectional

Typical application circuit, including pull-up resistor R_p and decoupling of VDD and GND by a capacitor.

- **Power Pins (VDD, GND)**

The supply voltage of HTU21D sensors must be in the range of 1.8VDC - 3.6VDC. Recommended supply voltage is 3VDC (regulated).

However the typical application circuit includes a pull-up resistor R on data wire and a 100nF decoupling capacitor between VDD and GND, placed as close as possible to the sensor.

- **Serial clock input (SCK)**

SCK is used to synchronize the communication between microcontroller and HTU21D sensor. Since the interface consists of fully static logic there is no minimum SCK frequency.

- **Serial data (DATA)**

The DATA pin is used to transfer data in and out of the device. For sending a command to the HTU21D sensor, DATA is valid on the rising edge of SCK and must remain stable while SCK is high. After the falling edge of SCK, the DATA value may be changed. For safe communication DATA shall be valid t_{SU} and t_{HD} before the rising and after the falling edge of SCK, respectively. For reading data from the HTU21D sensor, DATA is valid t_{VD} after SCK has gone low and remains valid until the next falling edge of SCK.

An external pull-up resistor (e.g. 10k Ω) on SCK is required to pull the signal high only for open collector or open drain technology microcontrollers. In most of the cases, pull-up resistors are internally included in I/O circuits of microcontrollers.

HTU21D Sensor – Miniature Relative Humidity and Temperature Sensor

ELECTRICAL CHARACTERISTICS

- Input/output DC characteristics

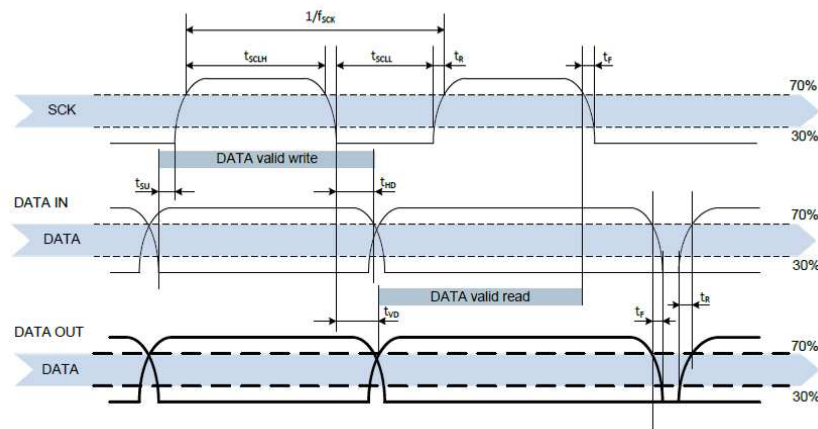
(VDD=3V, Temperature=25°C unless otherwise noted)

Characteristics		Symbol	Min	Typ	Max	Unit
Low level output voltage	VDD=3V -4mA<IOL<0mA	VOL	0	-	0.4	V
High level output voltage		VOH	70%	-	VDD	V
Low level input voltage		VIL	0%	-	30%VDD	V
High level input voltage		VIH	70%VDD	-	VDD	V
Leakage current	VDD=3.6V VIN=0V to 3.6V	IL	-	-	TBD	μA

- Timing specifications of digital input/output pads for I²C fast mode

Characteristics	Symbol	Min	Typ	Max	Unit
SCK frequency	f _{SCK}	0	-	0.4	MHz
SCK high time	t _{SCKLH}	0.6	-	-	μs
SCK low time	t _{SCKLL}	1.3	-	-	μs
DATA set-up time	t _{SU}	100	-	-	ns
DATA hold-time	t _{HD}	0	-	900	ns
DATA valid-tile	t _{VD}	0	-	400	ns
SCK/DATA fall time	t _F	0	-	100	ns
SCK/DATA rise time	t _R	0	-	300	ns
Capacitive load on bus line	C _B	0	-	500	pF

- Timing diagram for digital input/output pads



DATA directions are seen from the HTU21D sensor. DATA line in bold is controlled by the sensor. DATA valid read time is triggered by falling edge of anterior toggle.

HTU21D Sensor – Miniature Relative Humidity and Temperature Sensor

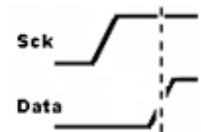
COMMUNICATION PROTOCOL WITH HTU21D SENSOR

- **Start-up sensor**

The HTU21D sensor requires a voltage supply between 1.8V and 3.6V. After power up, the device needs at most 15ms while SCK is high for reaching idle state (sleep mode), i.e to be ready accepting commands from the MCU. No command should be sent before that time. Soft reset is recommended at start, refer p.11.

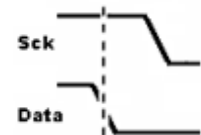
- **Start sequence (S)**

To initiate transmission, a start bit has to be issued. It consists of a lowering of the DATA line while SCK is high followed by lowering SCK.



- **Stop sequence (P)**

To stop transmission, a stop bit has to be issued. It consists of a heightening of the DATA line while SCK is high preceded by a heightening of the SCK.



HTU21D SENSOR LIST OF COMMANDS AND REGISTER ADDRESSES

For source code please request to humidity.application@meas-spec.com.

- **Sending a command**

After sending the start condition, the subsequent I²C header consist of a 7-bit I²C device address 0x80 and a DATA direction bit (Read:'1', Write:'0'). The HTU21D sensor indicates the proper reception of a byte by pulling the DATA pin low (ACK bit) after the falling edge of the 8th SCK clock. After the issue of a measurement command (0xE3 for temperature, 0xE5 for relative humidity), the MCU must wait for the measurement to complete. The basic commands are given in the table below:

Command	Code	Comment
Trigger Temperature Measurement	0xE3	Hold master
Trigger Humidity Measurement	0xE5	Hold master
Trigger Temperature Measurement	0xF3	No Hold master
Trigger Humidity Measurement	0xF5	No Hold master
Write user register	0xE6	
Read user register	0xE7	
Soft Reset	0xFE	

- **Hold/No Hold master modes**

There are two different operation modes to communicate with the HTU21D sensor. Hold Master mode and No Hold Master mode.

In the first case, the SCK line is blocked (controlled by HTU21D sensor) during measurement process while in the second case the SCK line remain open for other communication while the sensor is processing the measurement.

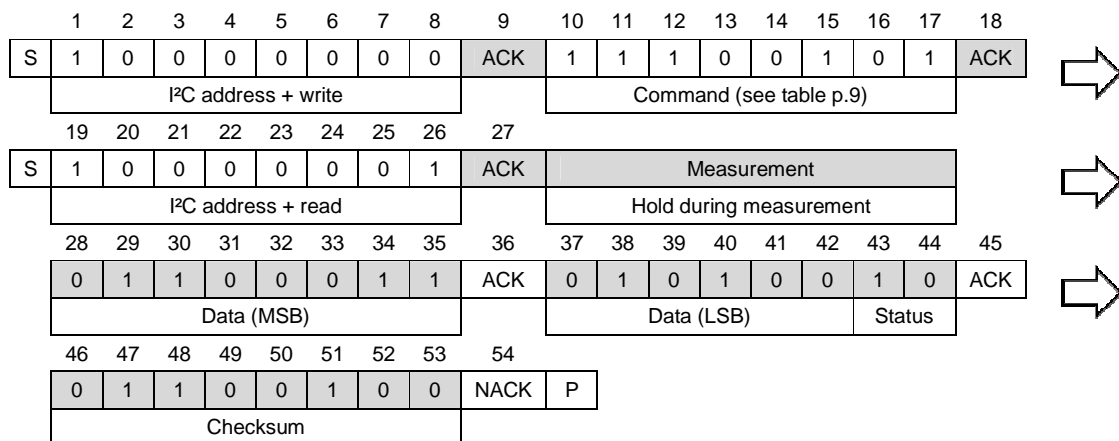
No Hold Master mode allows for processing other I²C communication tasks on a bus while the HTU21D sensor is measuring. A communication sequence of the two modes is available below.

HTU21D Sensor – Miniature Relative Humidity and Temperature Sensor

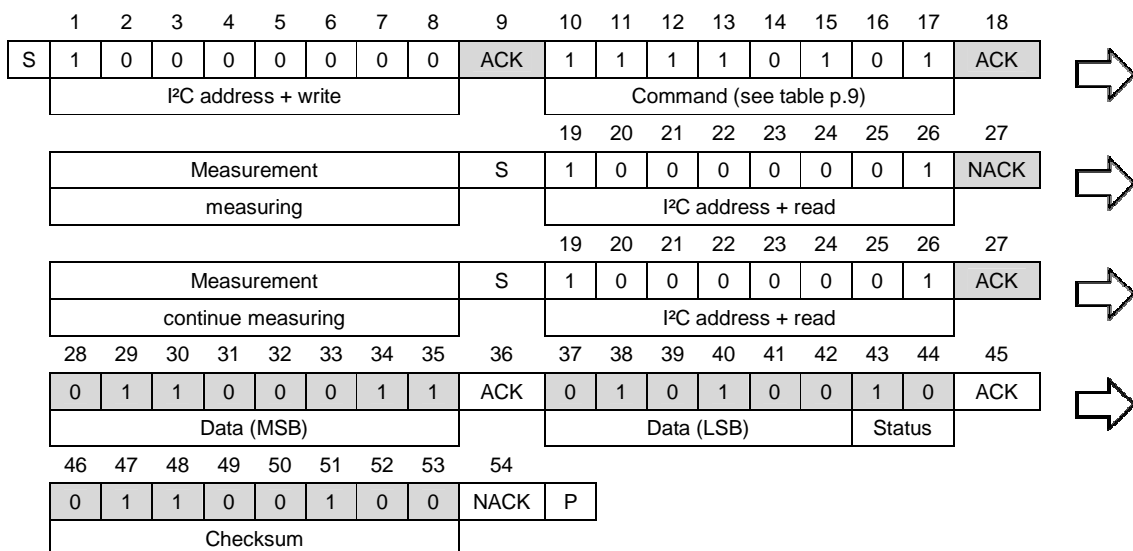
In the Hold Master mode, the HTU21D pulls down the SCK line while measuring to force the master into a wait state. By releasing the SCK line, the HTU21D sensor indicates that internal processing is completed and that transmission may be continued.

In the No Hold Master mode, the MCU has to poll for the termination of the internal processing of the HTU21D sensor. This is done by sending a start condition followed by the I²C header (0x81) as shown below. If the internal processing is finished, the HTU21D sensor acknowledges the poll of the MCU and data can be read by the MCU. If the measurement processing is not finished, the HTU21D sensor answers no ACK bit and start condition must be issued once more.

For both modes, since the maximum resolution of the measurement is 14 bit, the two last least significant bits (LSBs, bits 43 and 44) are used for transmitting status information. Bit 1 of the two LSBs indicates the measurement type ('0': temperature, '1': humidity). Bit 0 is currently not assigned.



Hold Master communication sequence



No Hold Master communication sequence

HTU21D Sensor – Miniature Relative Humidity and Temperature Sensor

Grey blocks are controlled by HTU21D sensor.

For Hold Master sequence, bit 45 may be changed to NACK followed by a stop condition to omit checksum transmission.

For No Hold Master sequence, if measurement is not completed upon “read” command, sensor does not provide ACK on bit 27 (more of these iterations are possible). If bit 45 is changed to NACK followed by stop condition, checksum transmission is omitted.

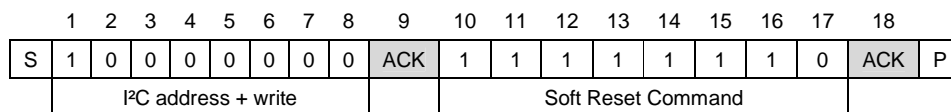
In those examples, the HTU21D sensor output is $S_{RH} = '0110'0011'0101'0000$ (0x6350). For the calculation of physical values status bit must be set to '0'. Refer to “Conversion of signal output” section.

The maximum duration for measurement depends on the type of measurement and resolution chosen. Maximum values shall be chosen for the communication planning of the MCU. Refer to the table p.4 regarding measuring time specifications.

I²C communication allows for repeated start conditions without closing prior sequence with stop condition.

- **Soft reset**

This command is used for rebooting the HTU21D sensor switching the power off and on again. Upon reception of this command, the HTU21D sensor system reinitializes and starts operation according to the default settings with the exception of the heater bit in the user register. The soft reset takes less than 15ms.



Grey blocks are controlled by HTU21D sensor.

- **User register**

The content of user register is described in the table below. Reserved bits must not be changed and default values of respective reserved may change over time without prior notice. Therefore, for any writing to user register, default values of reserved bits must be read first.

Thereafter, the full user register string composed of respective default values of reserved bits and the remainder of accessible bits optionally with default or non-default values.

The end of battery alert is activated when the battery power falls below 2.25V.

The heater is intended to be used for functionality diagnosis: relative humidity drops upon rising temperature. The heater consumes about 5.5mW and provides a temperature increase of about 0.5-1.5°C.

OTP reload is a safety feature and load the entire OTP settings to the register, with the exception of the heater bit, before every measurement. This feature is disabled per default and it is not recommended for use. Please use soft reset instead as it contains OTP reload.

HTU21D Sensor – Miniature Relative Humidity and Temperature Sensor

Bit	#Bits	Description/Coding	Default															
7,0	2	Measurement resolution <table border="1" style="margin-left: 20px;"> <thead> <tr> <th></th> <th>RH</th> <th>Temp</th> </tr> </thead> <tbody> <tr> <td>'00'</td> <td>12 bit</td> <td>14 bit</td> </tr> <tr> <td>'01'</td> <td>8 bit</td> <td>12 bit</td> </tr> <tr> <td>'10'</td> <td>10 bit</td> <td>13 bit</td> </tr> <tr> <td>'11'</td> <td>11 bit</td> <td>11 bit</td> </tr> </tbody> </table>		RH	Temp	'00'	12 bit	14 bit	'01'	8 bit	12 bit	'10'	10 bit	13 bit	'11'	11 bit	11 bit	'00'
	RH	Temp																
'00'	12 bit	14 bit																
'01'	8 bit	12 bit																
'10'	10 bit	13 bit																
'11'	11 bit	11 bit																
6	1	Status: End of Battery ⁽¹⁾ '0': VDD>2.25V '1': VDD<2.25V	'0'															
3, 4, 5	3	Reserved																
2	1	Enable on-chip heater	'0'															
1	1	Disable OTP reload	'1'															

⁽¹⁾ This status bit is updated after each measurement

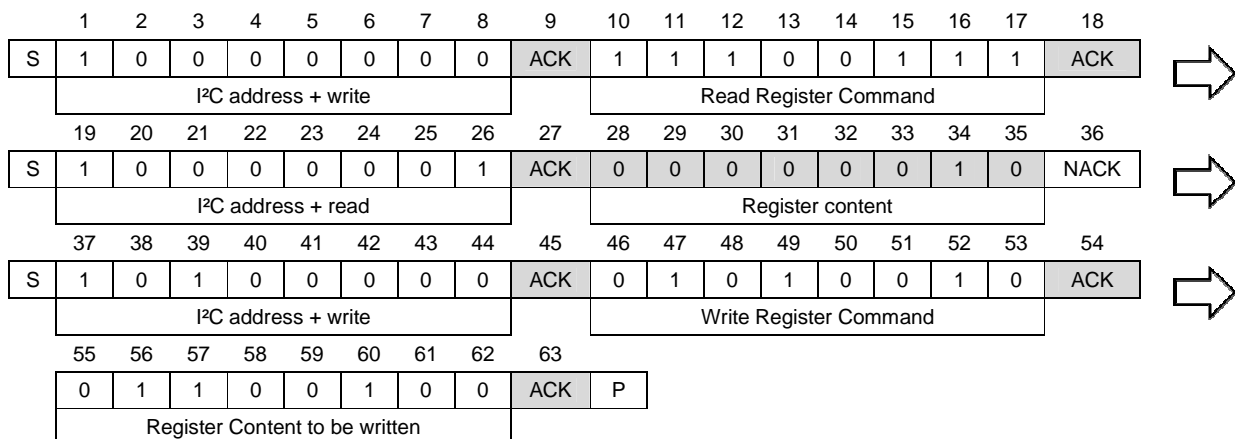
Cut-off value for End of Battery signal may vary by ±0.1V.

Reserved bits must not be changed.

OTP reload = '0' loads default settings after each time a measurement command is issued.

- **I²C communication reading and writing the user register example**

In this example, the resolution is set to 8 bit / 12 bit (for RH/Temp).



Grey blocks are controlled by HTU21D sensor.

- **CRC Checksum**

HTU21D sensor provides a CRC-8 checksum for error detection. The polynomial used is $x^8 + x^5 + x^4 + 1$.

Basic Considerations

CRC stands for Cyclic Redundancy Check. It is one of the most effective error detection schemes and requires a minimal amount of hardware.

The types of errors that are detectable with CRC that is implemented in HTU21D sensors are:

- Any odd number of errors anywhere within the data transmission
- All double-bit errors anywhere within the transmission.
- Any cluster of errors that can be contained within an 8-bit window (1-8 bits incorrect)
- Most larger clusters of errors

HTU21D Sensor – Miniature Relative Humidity and Temperature Sensor

CRC for HTU21D sensors Using I²C Protocol

When HTU21D sensors are run by communicating with the standard I²C protocol, an 8-bit CRC can be used to detect transmission errors. The CRC covers all read data transmitted by the sensor. CRC properties for HTU21D sensors communicating with I²C protocol are listed in the table below.

CRC with I ² C protocol	
Generator polynomial	$X^8 + X^5 + X^4 + 1$
Initialization	0x00
Protected data	Read data
Final Operation	none

CONVERSION OF SIGNAL OUTPUTS

Default resolution is set to 12-bit relative humidity and 14-bit temperature readings. Measured data are transferred in two byte packages, i.e. in frames of 8-bit length where the most significant bit (MSB) is transferred first (left aligned). Each byte is followed by an acknowledge bit. The two status bits, the last bits of LSB, must be set to '0' before calculating physical values.

- **Relative Humidity conversion**

With the relative humidity signal output S_{RH} , the relative humidity is obtained by the following formula (result in %RH), no matter which resolution is chosen:

$$RH = -6 + 125x \frac{S_{RH}}{2^{16}}$$

In the example given p.10, the transferred 16-bit relative humidity data is 0x6350: 25424. The relative humidity results to be 42.5%RH.

- **Temperature conversion**

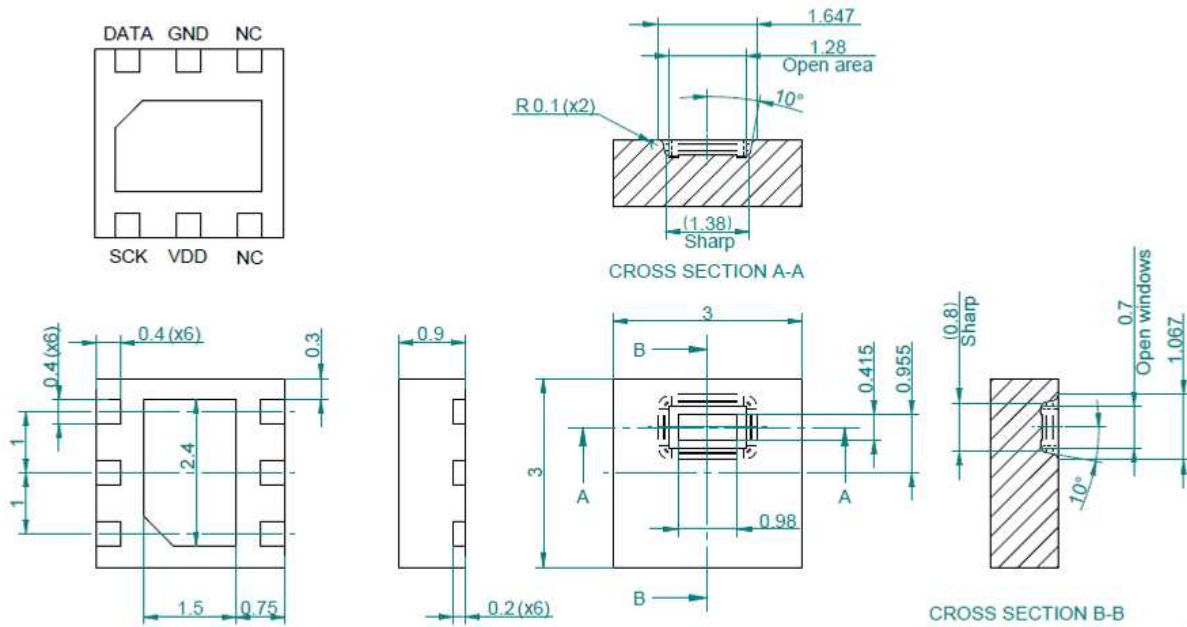
The temperature T is calculated by inserting temperature signal output S_{Temp} into the following formula (result in °C), no matter which resolution is chosen:

$$Temp = -46.85 + 175.72x \frac{S_{Temp}}{2^{16}}$$

HTU21D Sensor – Miniature Relative Humidity and Temperature Sensor

PACKAGE OUTLINE

- HTU21D Sensor Dimensions



Dimensions are given in mm, tolerances are ± 0.1 mm. The die pad (thermal center pad) is internally connected to GND.

- Packaging Type

HTU21D sensors are provided in DFN packaging. DFN stands for Dual Flat No leads.

The HTU21D sensor chip is mounted to a lead frame made of Cu and plated with Ni/Pd/Au. Chip and lead frame are over molded by green epoxy-based mold compound. Please note that side walls of sensors are diced and hence lead frame at diced edge is not covered with respective protective coating.

The total weight of the sensor is 0.025g.

- Traceability Information

All HTU21D sensors are laser marked with an alphanumeric, five-digit code on the sensor as pictured below.

The marking on the HTU21D sensor consists of two lines with five digits each:

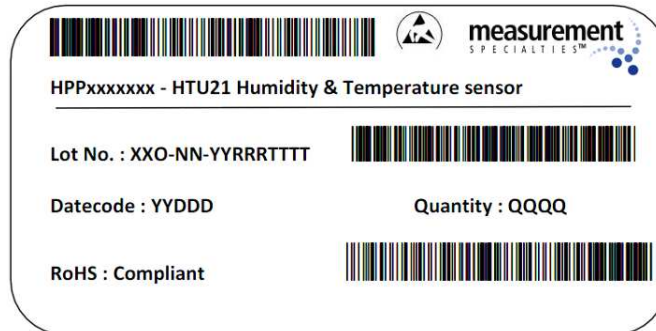
- The first line denotes the sensor type: HTU21D.
- The second line denotes several information as:
 - The first digit of the second line defines the output mode:
 - D = digital and I²C
 - P = PWM
 - S = SDM
 - The second digit defines the manufacturing year: 2 = 2012, 3 = 2013, etc.
 - The last three digits represent an alphanumeric tracking code. That code can be decoded by MEAS only and allows for tracking on batch level through production, calibration and testing and will be provided upon justified request.

HTU21D Sensor – Miniature Relative Humidity and Temperature Sensor



Laser marking on HTU21D sensor

Reels are also labeled, as displayed below and give additional traceability information.

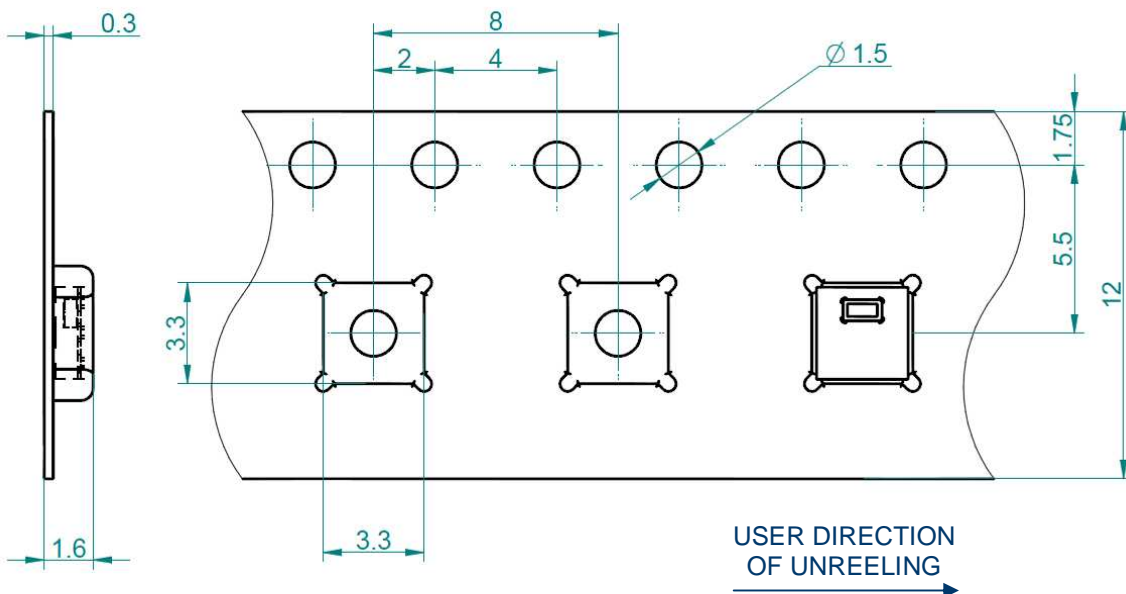


With:

- XX: Sensor Type (21 for HTU21D)
- O: Output mode (D = Digital, P = PWM, S = SDM)
- NN: Product revision Number
- YY: Two last digits of the year
- RRR: Number of sensors on reel divided by 10 (200 for 2000 units)
- TTTT: MEAS Traceability Code
- DDD: Day of the year
- QQQQ: Quantity per reel (400, 1500 or 5000 units)

- **Shipping Package**

HTU21D sensors are shipped in tape & reel packaging, sealed into antistatic ESD bags. Standard packaging sizes are 400, 1500 and 5000 units per reel. Each reel contains 440mm (55 pockets) header tape and 200mm (25 pockets) trailer tape. The drawing of the packaging tapes with sensor orientation is shown in the picture below.



HTU21D Sensor – Miniature Relative Humidity and Temperature Sensor

ORDERING INFORMATION

- HPP828E031: HTU21D - DIGITAL TEMPERATURE AND RELATIVE HUMIDITY MODULE

PACKAGE: TAPE AND REEL M.P.Q OF 400 PIECES, 1500 PIECES OR 5000 PIECES

Customer Service contact details

MEAS France
Impasse Jeanne Benozzi
CS 83 163 31027 Toulouse Cedex 3
FRANCE
Tél: +33 5 820 822 00
Fax: +33 5 820 821 51
Sales: humidity.sales@meas-spec.com

Revision	Comments	Who	Date
0	Document Creation	D. LE GALL	April 12

The information in this sheet has been carefully reviewed and is believed to be accurate; however, no responsibility is assumed for inaccuracies. Furthermore, this information does not convey to the purchaser of such devices any license under the patent rights to the manufacturer. Measurement Specialties, Inc. reserves the right to make changes without further notice to any product herein. Measurement Specialties, Inc. makes no warranty, representation or guarantee regarding the suitability of its product for any particular purpose, nor does Measurement Specialties, Inc. assume any liability arising out of the application or use of any product or circuit and specifically disclaims any and all liability, including without limitation consequential or incidental damages. Typical parameters can and do vary in different applications. All operating parameters must be validated for each customer application by customer's technical experts. Measurement Specialties, Inc. does not convey any license under its patent rights nor the rights of others.