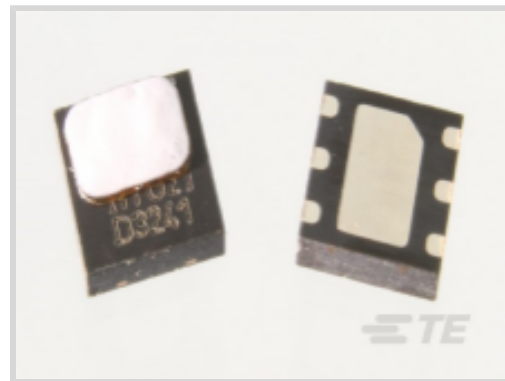




Sensors > Humidity Sensors > Humidity Sensor Components > HTU21D Digital High Accuracy RH/T Sensor



Humidity Sensor Component Product Type: RHT

Supply Voltage (Peak): 3.8 V

Current Consumption: .014 mA

Humidity Operating Range: 0 – 100 %RH

Operating Temperature Range: -40 – 125 °C, -40 – 125 °C [-40 – 257 °F, -40 – 257 °F]

[All HTU21D Digital High Accuracy RH/T Sensor \(6\)](#)

Features

Product Type Features

Humidity Sensor Component Product Type	RHT
Humidity Sensor Component Sensor Type	Digital

Electrical Characteristics

Supply Voltage (Peak)	3.8 V
Current Consumption	.014 mA

Usage Conditions

Humidity Operating Range	0 – 100 %RH
Operating Temperature Range	-40 – 125 °C, -40 – 125 °C [-40 – 257 °F] [-40 – 257 °F]

Product Compliance

[For compliance documentation, visit the product page on TE.com>](#)

EU RoHS Directive 2011/65/EU	Compliant
EU ELV Directive 2000/53/EC	Compliant
China RoHS 2 Directive MIIT Order No 32, 2016	No Restricted Materials Above Threshold
EU REACH Regulation (EC) No. 1907/2006	Current ECHA Candidate List: JUN 2020 (209)

Candidate List Declared Against: JAN 2017
(173)

Does not contain REACH SVHC

Halogen Content

Not Yet Reviewed for halogen content

Solder Process Capability

Not reviewed for solder process capability

Product Compliance Disclaimer

This information is provided based on reasonable inquiry of our suppliers and represents our current actual knowledge based on the information they provided. This information is subject to change. The part numbers that TE has identified as EU RoHS compliant have a maximum concentration of 0.1% by weight in homogenous materials for lead, hexavalent chromium, mercury, PBB, PBDE, DBP, BBP, DEHP, DIBP, and 0.01% for cadmium, or qualify for an exemption to these limits as defined in the Annexes of Directive 2011/65/EU (RoHS2). Finished electrical and electronic equipment products will be CE marked as required by Directive 2011/65/EU. Components may not be CE marked. Additionally, the part numbers that TE has identified as EU ELV compliant have a maximum concentration of 0.1% by weight in homogenous materials for lead, hexavalent chromium, and mercury, and 0.01% for cadmium, or qualify for an exemption to these limits as defined in the Annexes of Directive 2000/53/EC (ELV). Regarding the REACH Regulations, TE's information on SVHC in articles for this part number is still based on the European Chemical Agency (ECHA) 'Guidance on requirements for substances in articles' (Version: 2, April 2011), applying the 0.1% weight on weight concentration threshold at the finished product level. TE is aware of the European Court of Justice ruling of September 10th, 2015 also known as O5A (Once An Article Always An Article) stating that, in case of 'complex object', the threshold for a SVHC must be applied to both the product as a whole and simultaneously to each of the articles forming part of its composition. TE has evaluated this ruling based on the new ECHA "Guidance on requirements for substances in articles" (June 2017, version 4.0) and will be updating its statements accordingly.

Compatible Parts

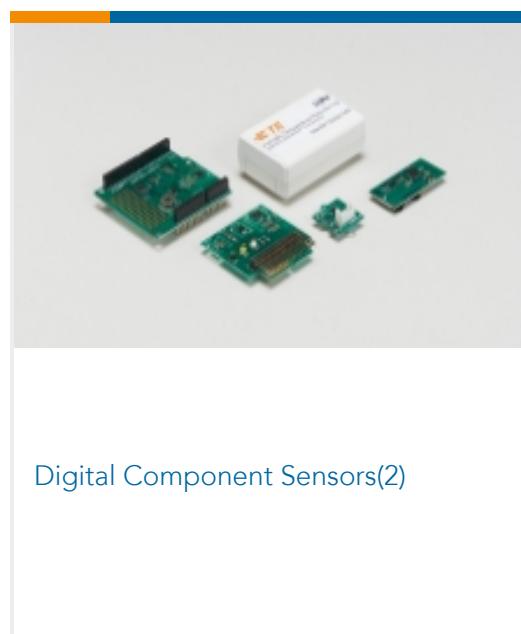


TE Model / Part # CAT-HSC0004
HTU21D Digital High Accuracy RH/T Sensor

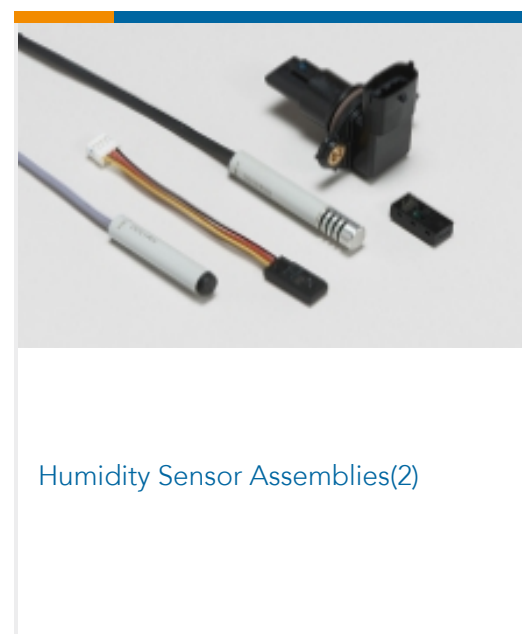


TE Model / Part # HPP845E132R4
I.C 21PF RH/T PWM B400

Also in the Series | MEAS HTU



Digital Component Sensors(2)



Humidity Sensor Assemblies(2)



Humidity Sensor Components(20)

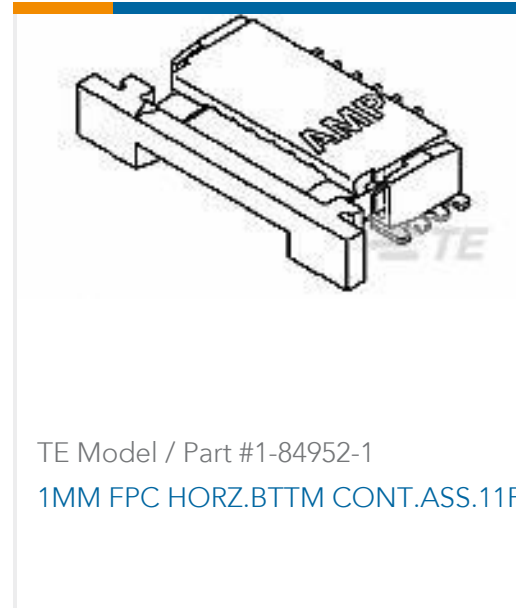
Customers Also Bought



TE Model / Part #MS860702BA01-50
BOARD LEVEL PRESSURE STOCK LIST



TE Model / Part #440055-4
AMP HPI 2.0MM HEADERS



TE Model / Part #1-84952-1
1MM FPC HORZ.BTTM CONT.ASS.11P



TE Model / Part #8-1614882-2
CPF 0603 390K 0.1% 25PPM 5K RL



TE Model / Part #1676639-3
RN 0805 10R 0.1% 10PPM 5K RL



TE Model / Part #6364372-2
Std USB Type A, R/A, T/H, Natural



TE Model / Part #4-2176326-5
CRGP 0603 47K 1%



TE Model / Part #1-2295018-2
USB TYPE C, REC OFFSET 0.65MM
DUAL SMT



TE Model / Part #HPP845E131R4
HTU21D Digital High Accuracy RH/T
Sensor

Documents

Datasheets & Catalog Pages

[HTU21D](#)

English